



US00D364024S

**United States Patent** [19]  
**O'Keefe et al.**

[11] **Patent Number:** **Des. 364,024**  
[45] **Date of Patent:** **\*\*Nov. 7, 1995**

[54] **SUPPORT DEVICE FOR CHAIRS**

5,347,666 9/1994 Kippes ..... 5/81.1  
5,365,621 11/1994 Blain ..... 5/81.1

[76] Inventors: **Henry O'Keefe; Patricia O'Keefe,**  
both of P.O. Box 286, Malin, Oreg.  
97632

*Primary Examiner*—Janice E. Seeger  
*Attorney, Agent, or Firm*—Henderson & Sturm

[\*\*] Term: **14 Years**

[57] **CLAIM**

[21] Appl. No.: **19,051**

The ornamental design for a support device for chairs, as shown and described.

[22] Filed: **Feb. 22, 1994**

**DESCRIPTION**

[52] U.S. Cl. .... **D34/28; D12/130**

[58] **Field of Search** ..... D34/28; D12/130,  
D12/133; D6/491; 135/65-67, 75; 5/81.1,  
662; 297/DIG. 10

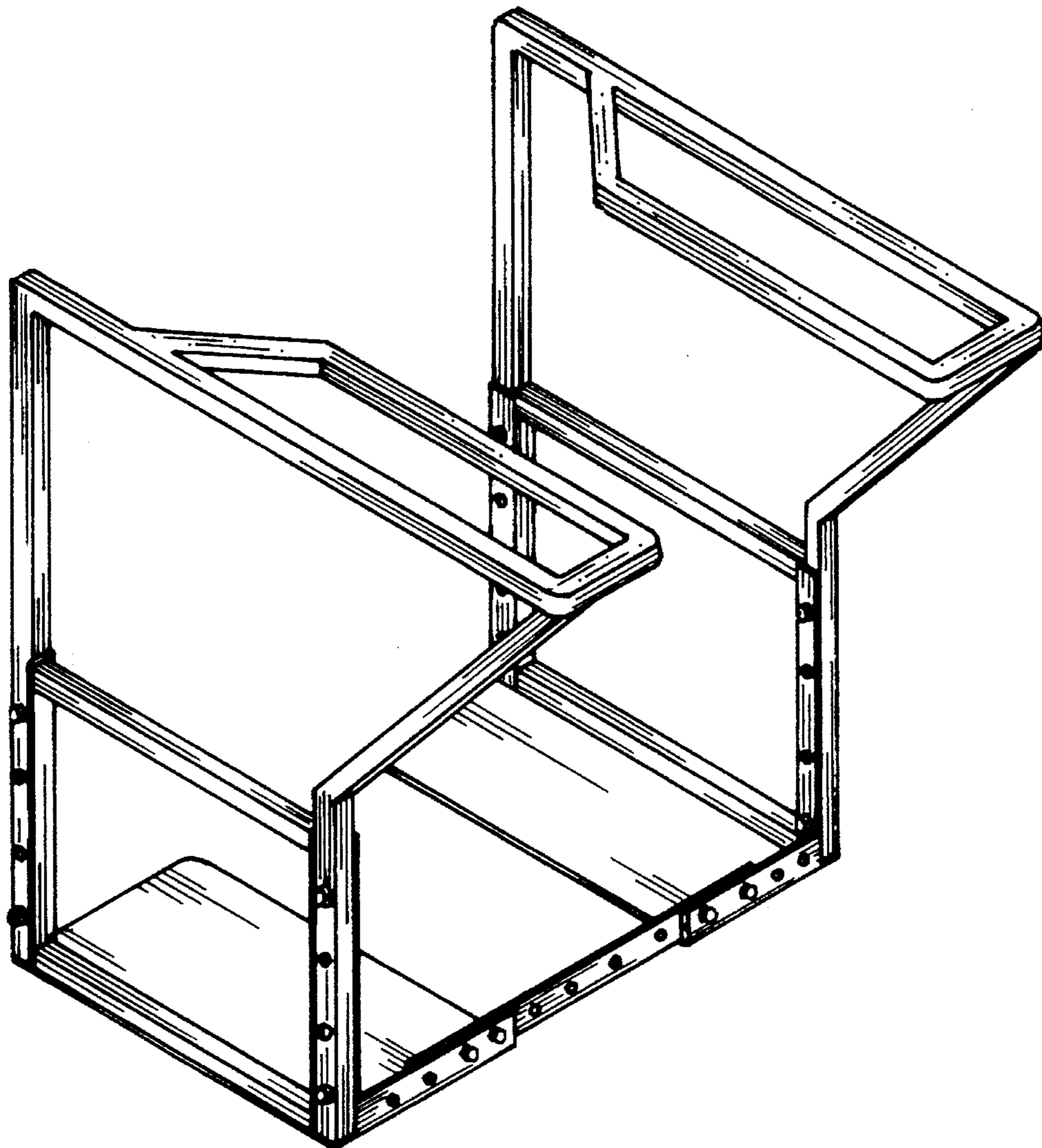
FIG. 1 is a perspective view of the support device for chairs which incorporates our aesthetic design; FIG. 2 is a front elevation view thereof; FIG. 3 is a rear elevation view thereof; FIG. 4 is a top plan view thereof; FIG. 5 is a bottom plan view thereof; FIG. 6 is a right side view thereof; and, FIG. 7 is a left side view thereof.

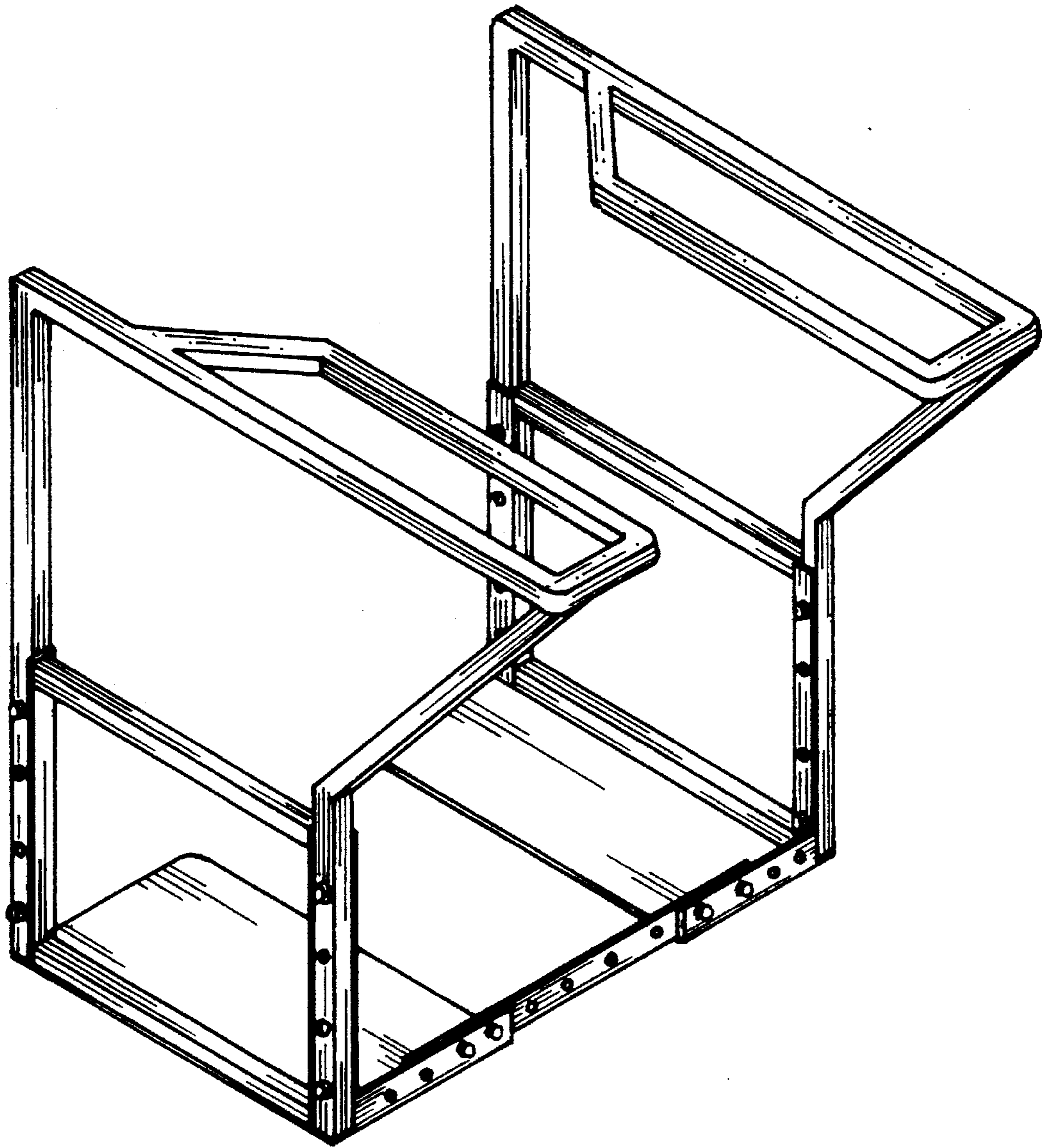
[56] **References Cited**

**U.S. PATENT DOCUMENTS**

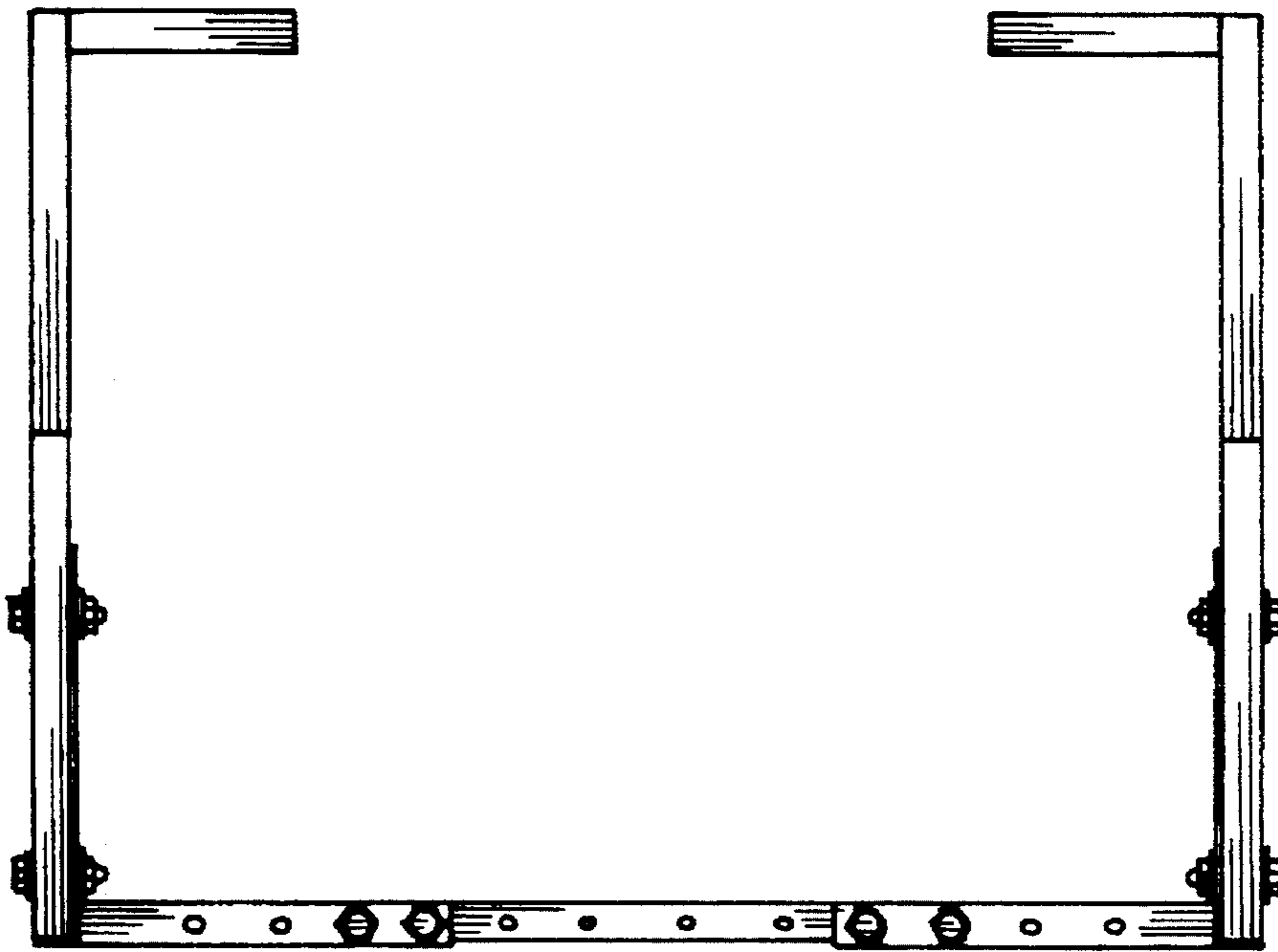
2,445,619 7/1948 Josephs ..... 5/81.1  
4,314,576 2/1981 McGee ..... 135/67  
5,226,439 7/1993 O'Keefe et al. .... 135/66  
5,305,773 4/1994 Browning ..... 135/65 X

**1 Claim, 4 Drawing Sheets**

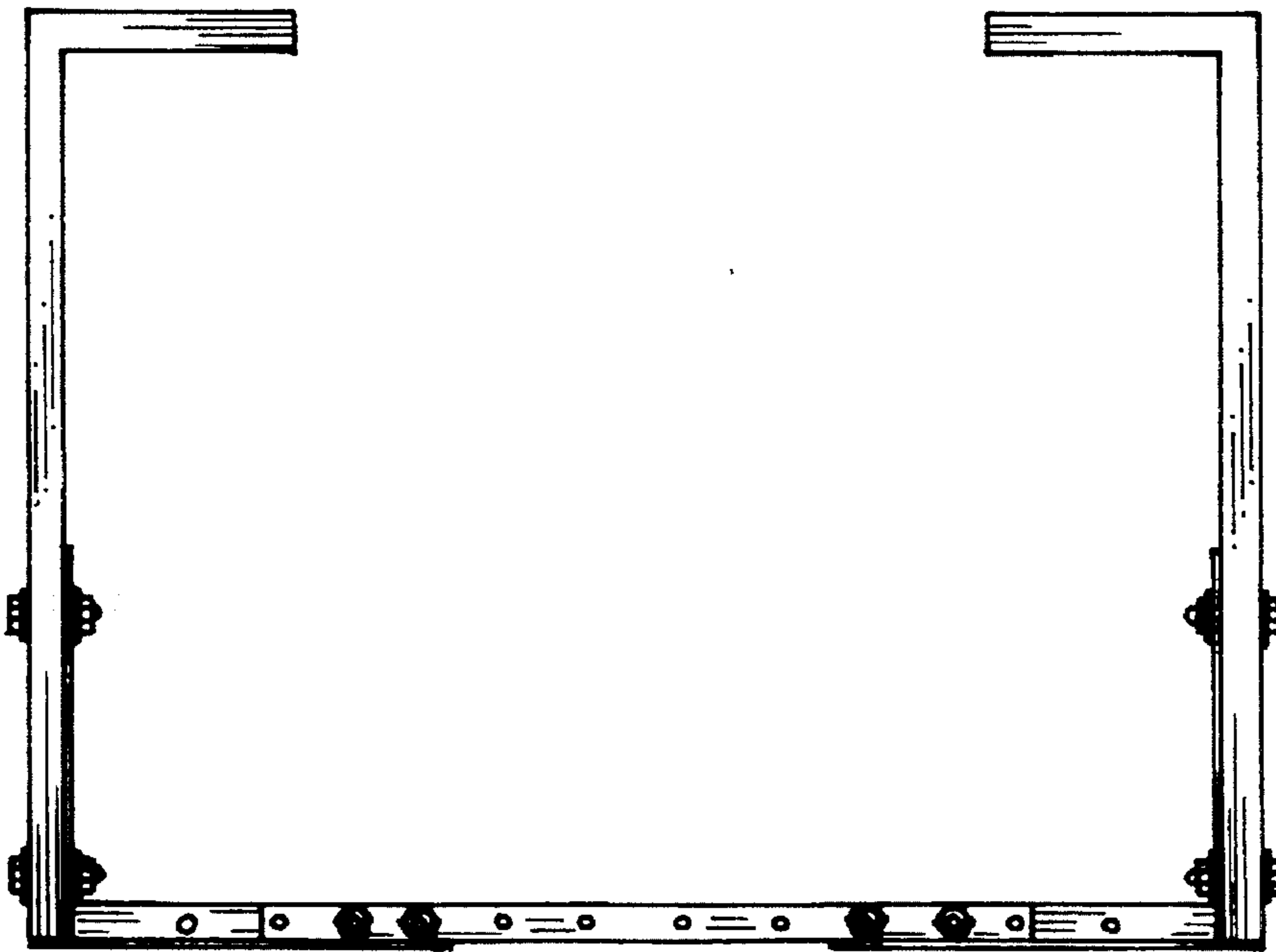




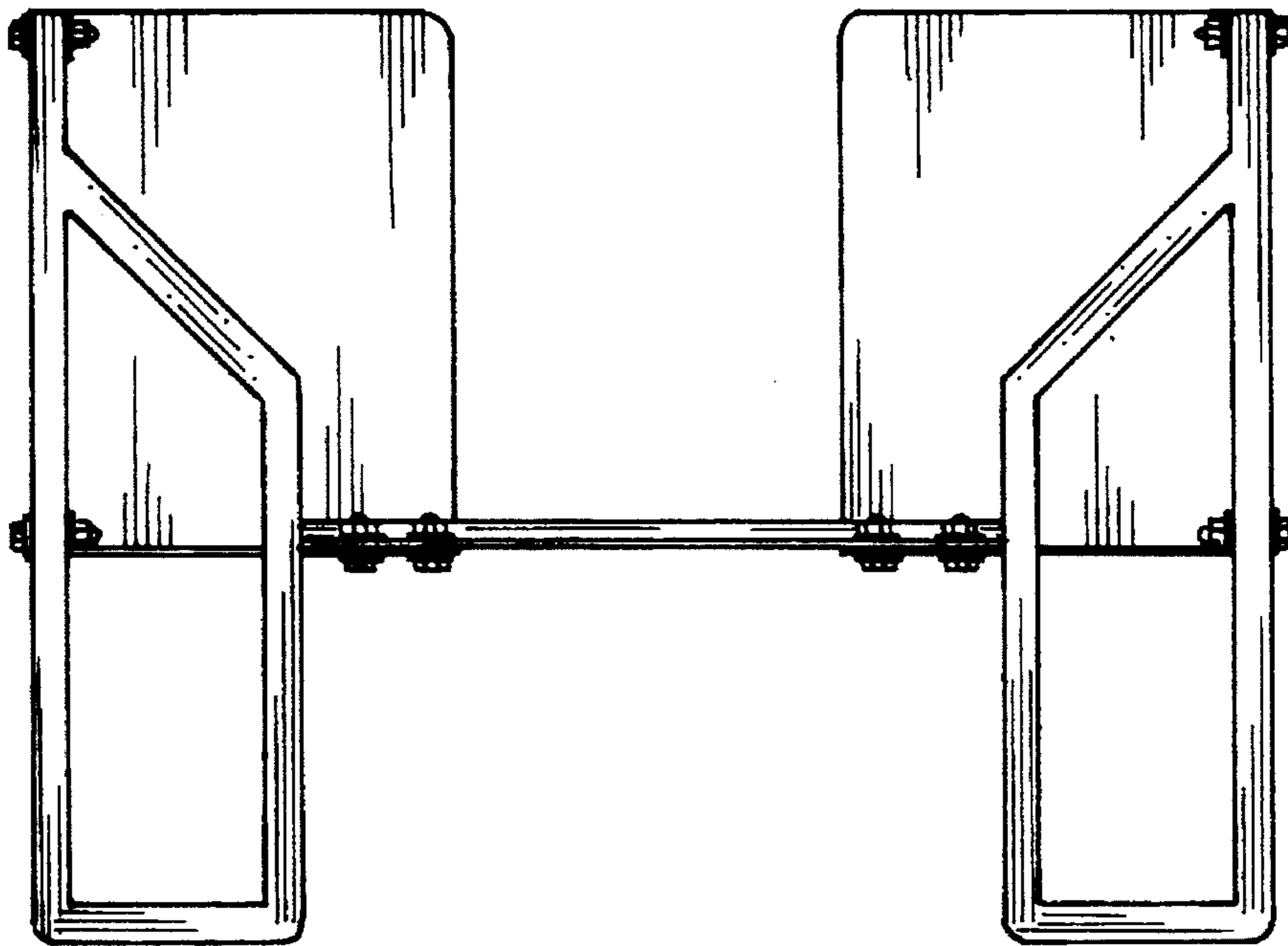
*Fig. 1*



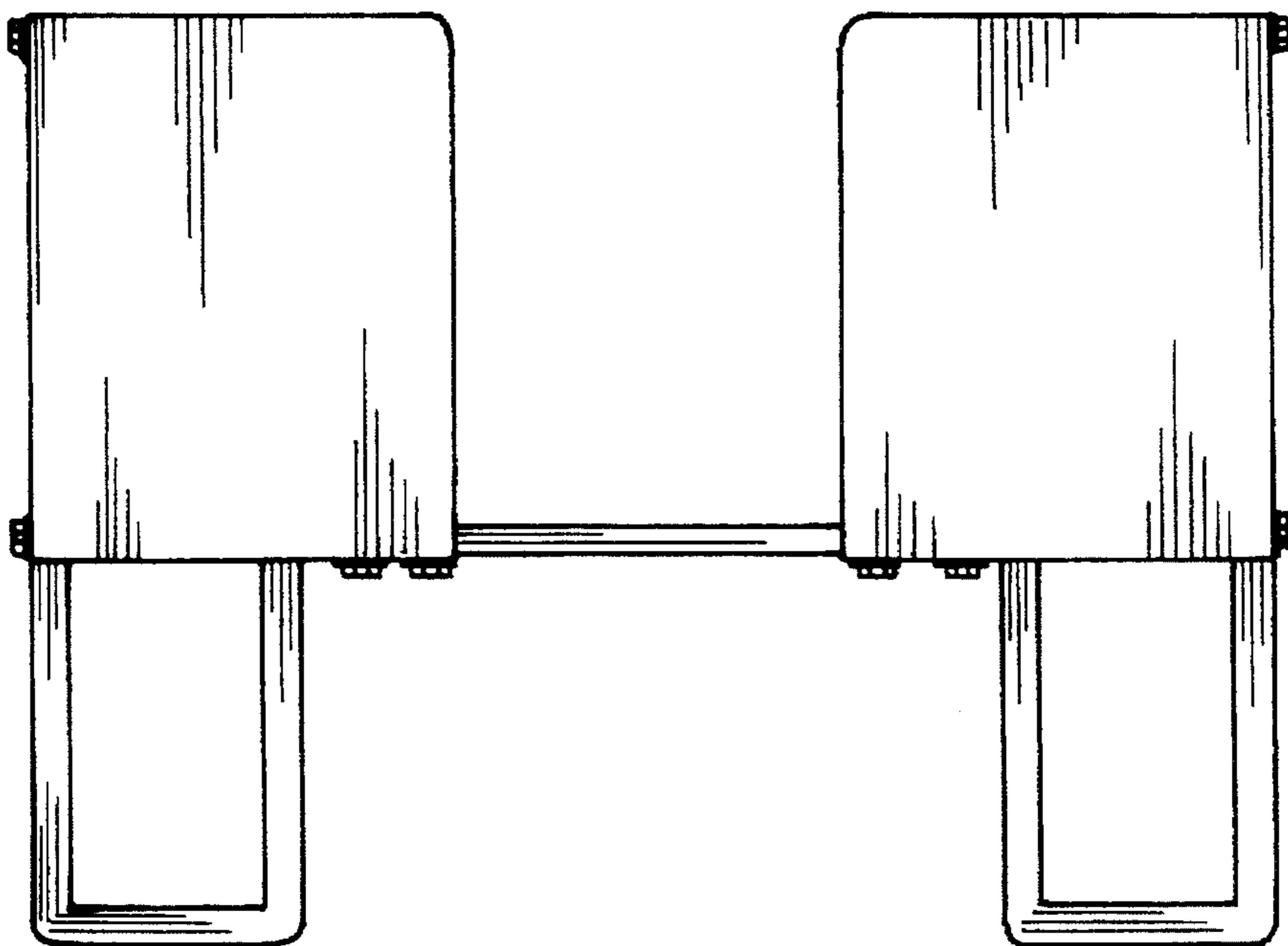
*Fig. 2*



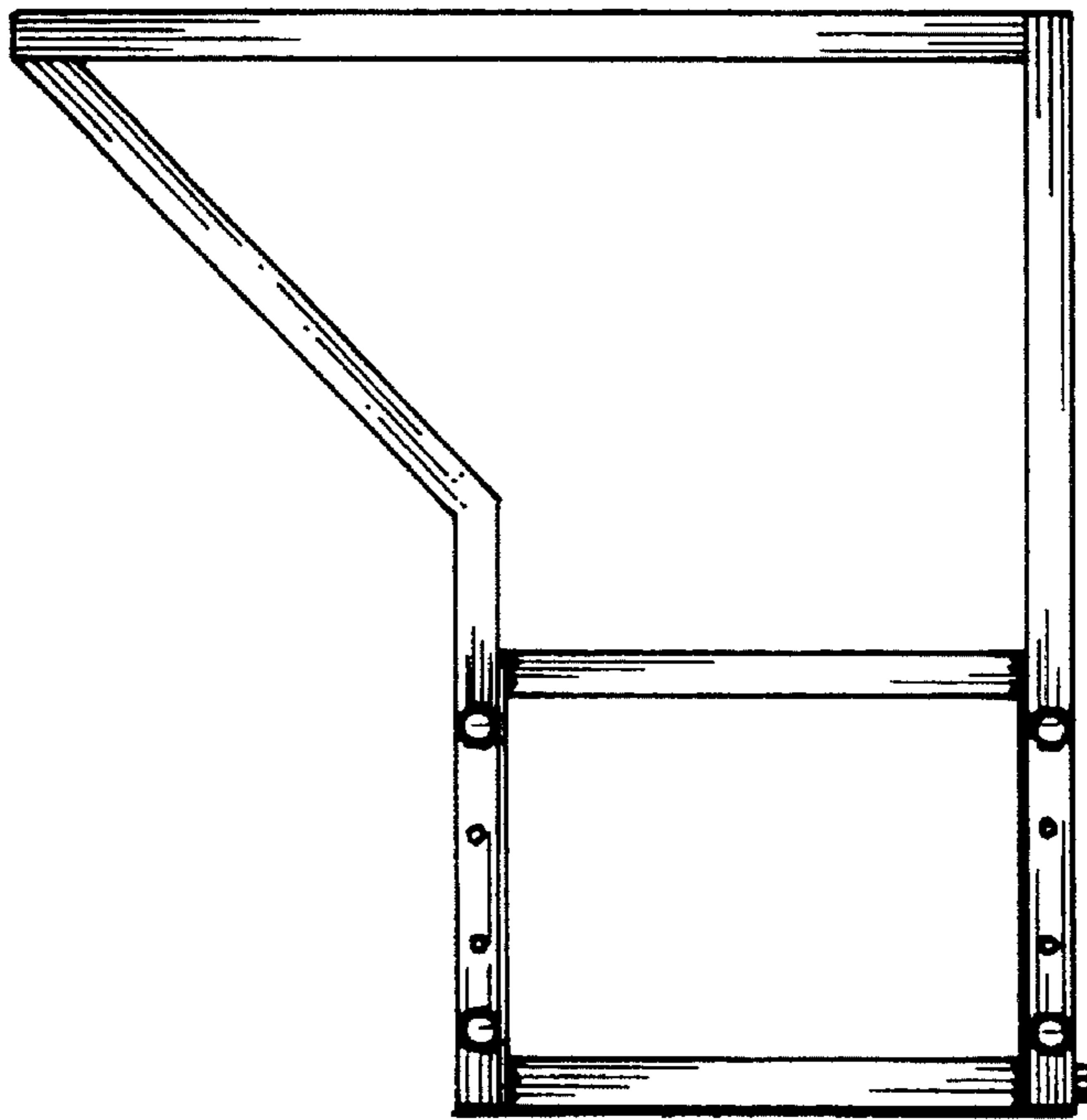
*Fig. 3*



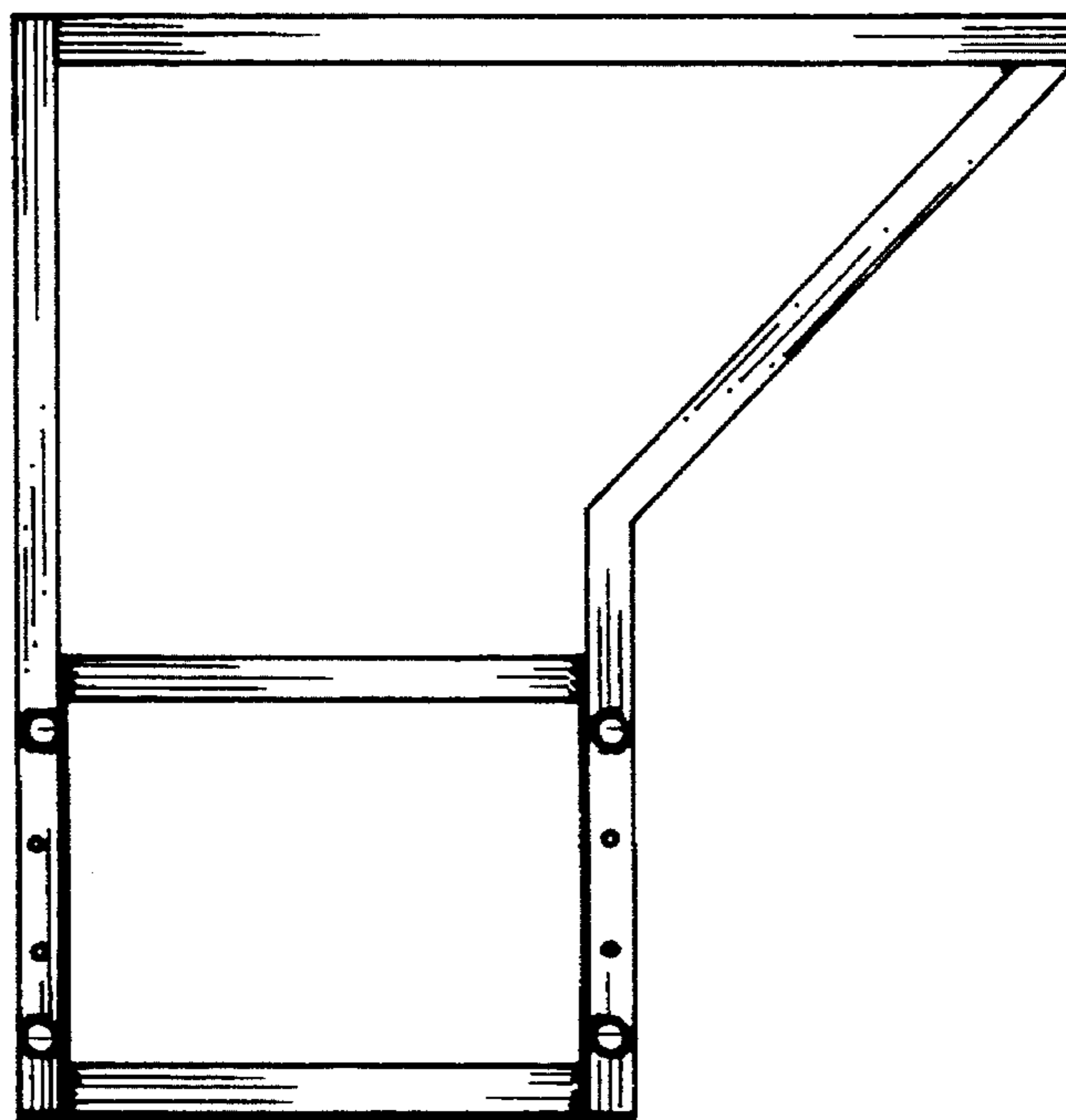
*Fig. 4*



*Fig. 5*



*Fig. 6*



*Fig. 7*