



US00D364022S

**United States Patent** [19]  
**Kazmark, Jr.**

[11] **Patent Number:** **Des. 364,022**  
[45] **Date of Patent:** **\*\*Nov. 7, 1995**

[54] **HAND TRUCK**  
[75] Inventor: **Eugene A. Kazmark, Jr.**, Joliet, Ill.  
[73] Assignee: **Remin Laboratories, Inc.**, Joliet, Ill.  
[\*\*] Term: **14 Years**

4,577,877 3/1986 Kassai ..... 280/47.37  
4,754,985 7/1988 Im et al. .... 280/40  
4,896,897 1/1990 Wilhelm ..... 280/655  
4,974,871 12/1990 Mao ..... 280/651  
5,127,664 7/1992 Cheng ..... 280/655  
5,178,404 1/1993 Chen ..... 280/655

[21] Appl. No.: **28,726**  
[22] Filed: **Sep. 21, 1994**  
[52] U.S. Cl. .... **D34/26; D34/24; D34/12**  
[58] **Field of Search** ..... D34/12, 24, 25,  
D34/26; 280/47.18, 47.28, 47.34, 654, 655,  
47.19

*Primary Examiner*—Kay H. Chin  
*Attorney, Agent, or Firm*—Tilton, Fallon, Lungmus & Chestnut

[57] **CLAIM**

The ornamental design for a hand truck, as shown and described.

**DESCRIPTION**

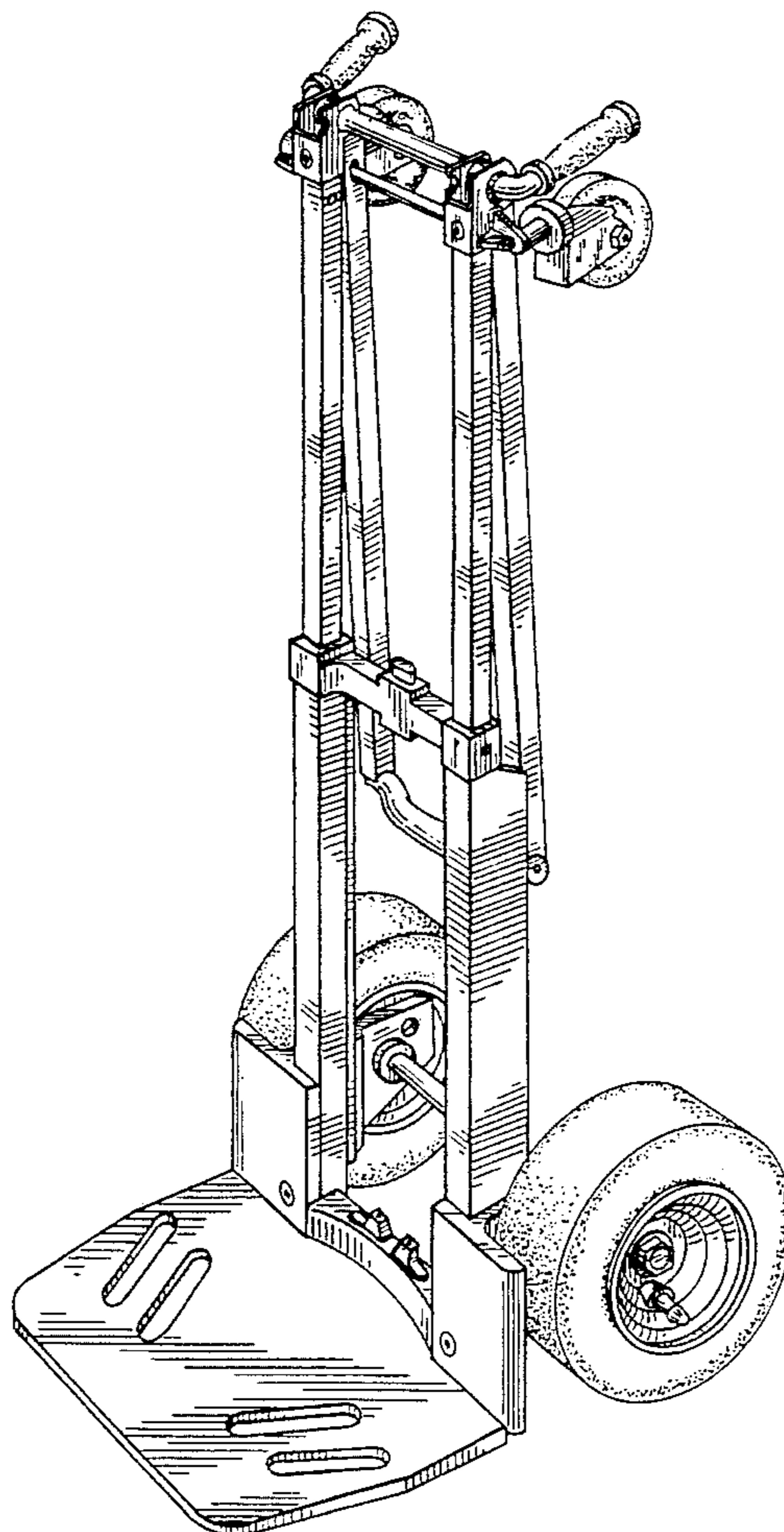
[56] **References Cited**

**U.S. PATENT DOCUMENTS**

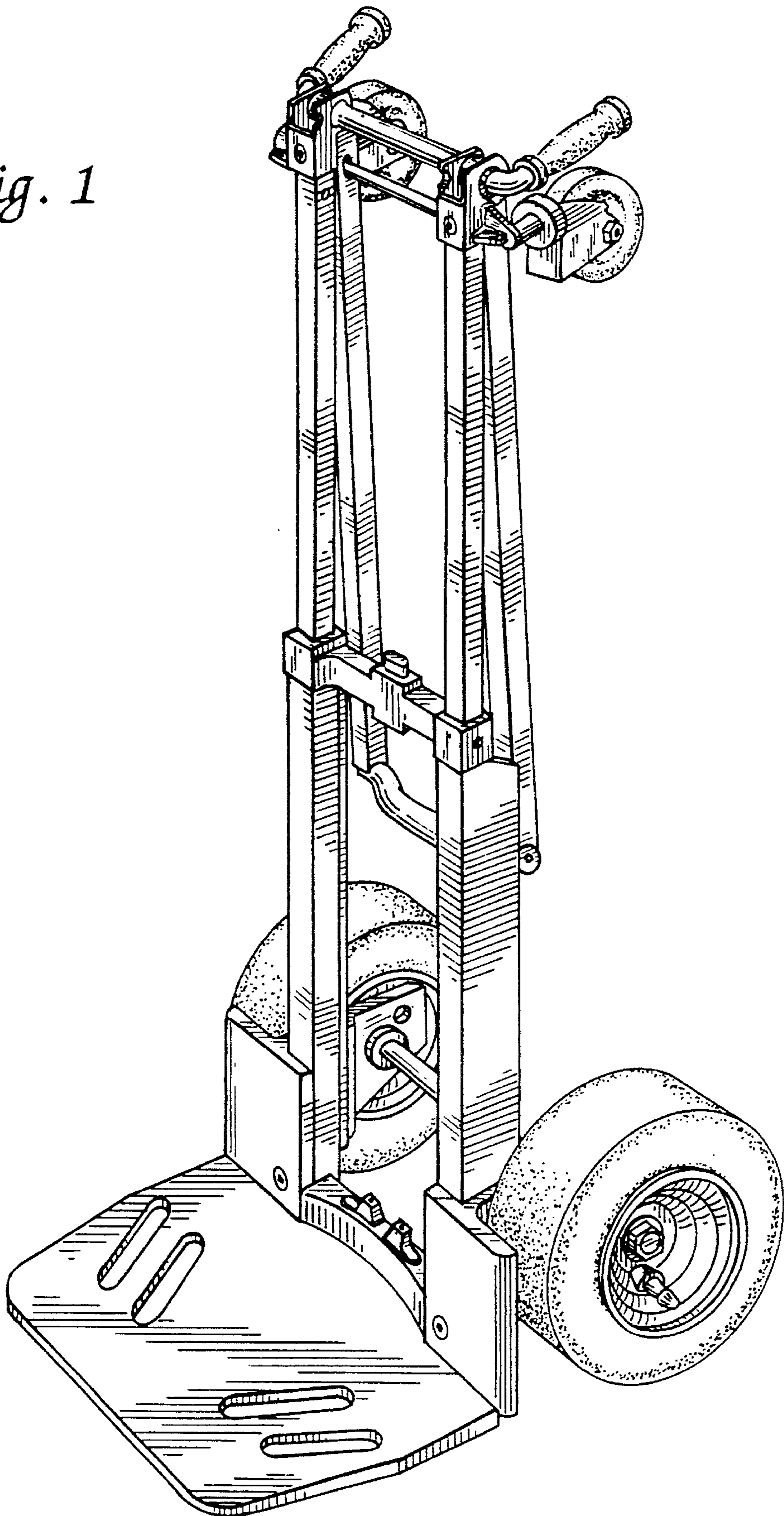
D. 249,031	8/1978	Tarran .....	D34/26
D. 249,032	8/1978	Tarran .....	D34/17
3,193,123	7/1965	Wouden .....	D34/26
3,572,870	3/1971	Marks .....	312/244
3,702,016	11/1972	Keesee .....	16/111
3,785,669	1/1974	Doheny .....	280/47.18
3,998,476	12/1976	Kazmark, Sr. ....	280/655
4,220,346	9/1980	Geschwender .....	280/47.18
4,284,287	8/1981	Esposito .....	280/47.37
4,354,689	10/1982	Perego .....	280/47.37
4,523,773	6/1985	Holtz .....	280/654

FIG. 1 is a perspective view of a hand truck showing my new design;  
FIG. 2 is a front elevation view thereof;  
FIG. 3 is a side elevation view thereof, the other side being a mirror image of this view;  
FIG. 4 is a rear elevation view thereof;  
FIG. 5 is a top plan view thereof;  
FIG. 6 is a bottom plan view thereof; and,  
FIG. 7 is a perspective view, showing the hand truck in an extended position.

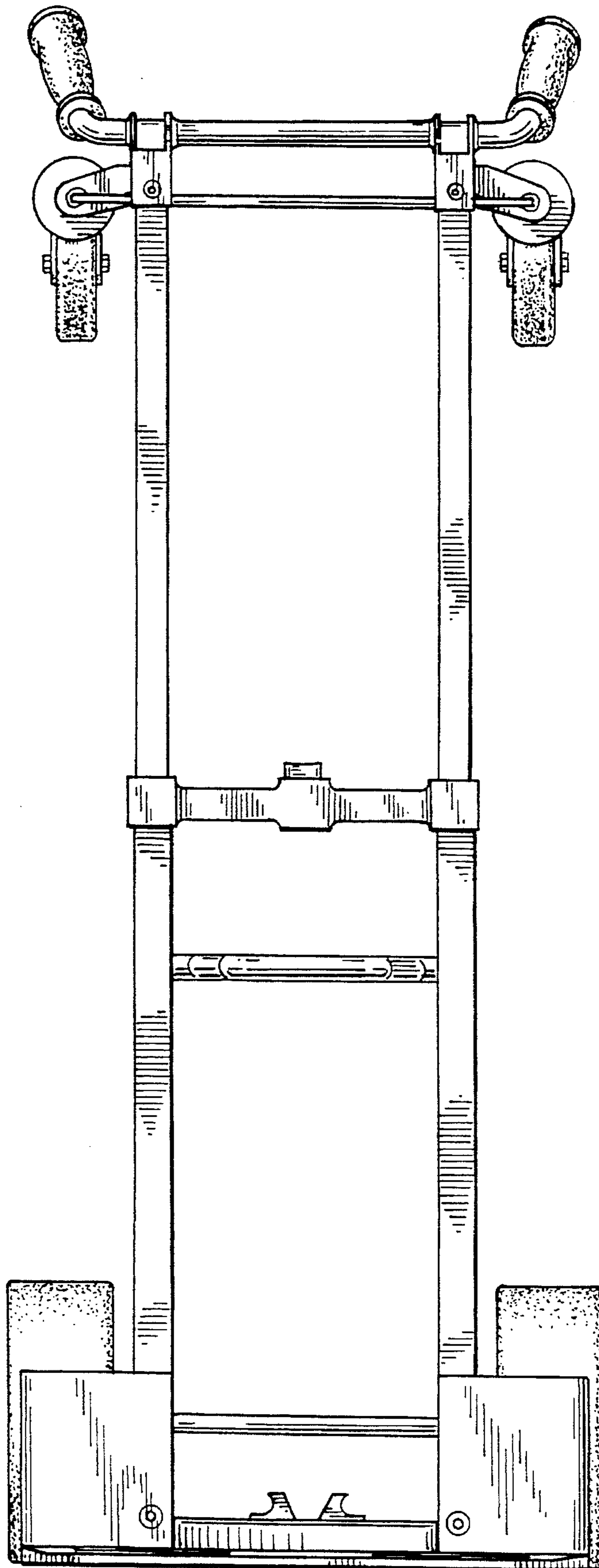
**1 Claim, 6 Drawing Sheets**

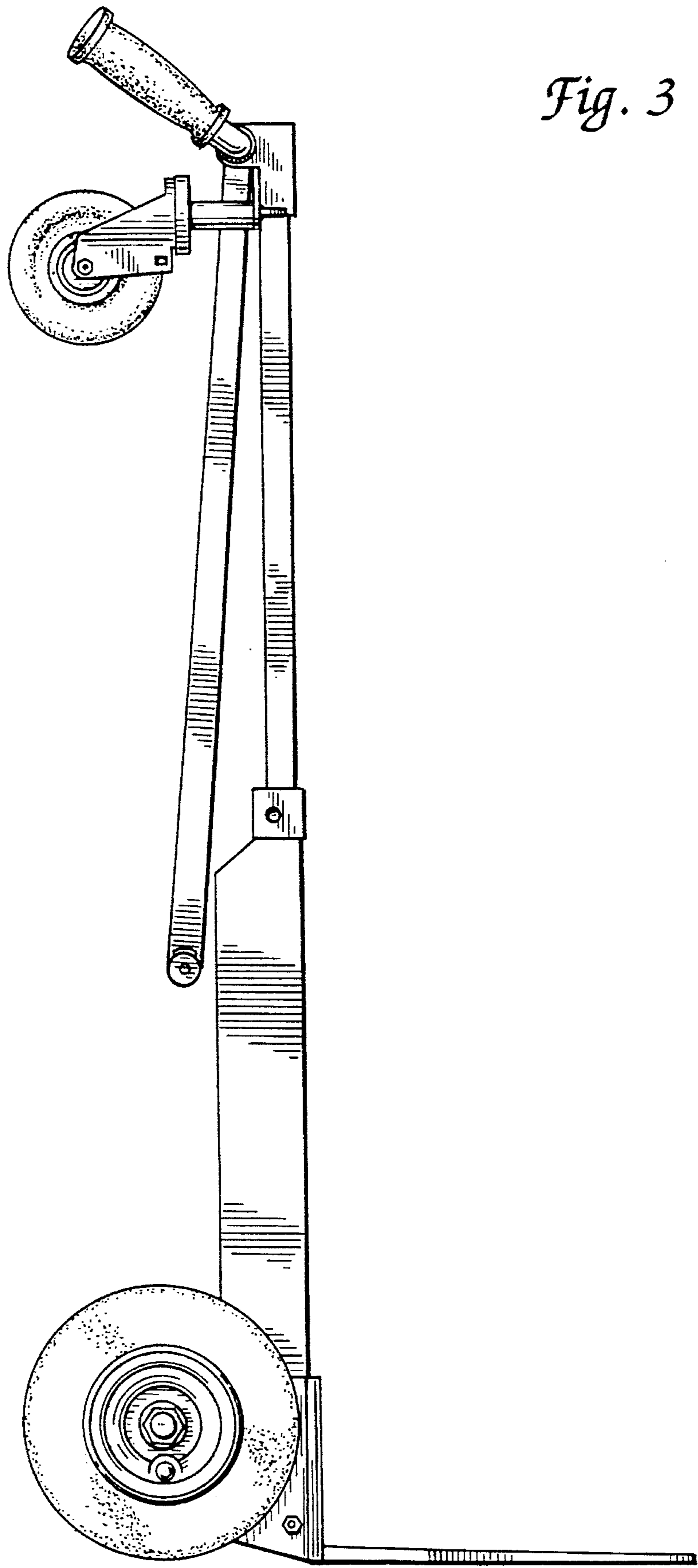


*Fig. 1*



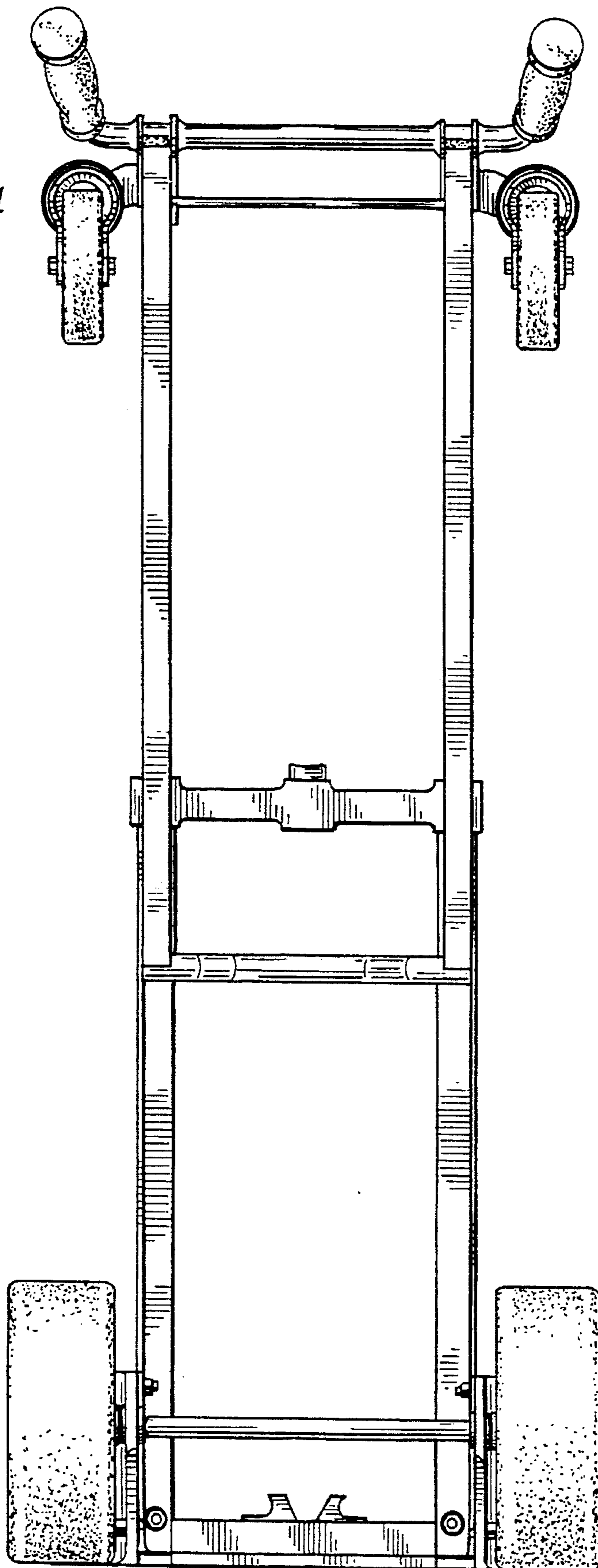
*Fig. 2*



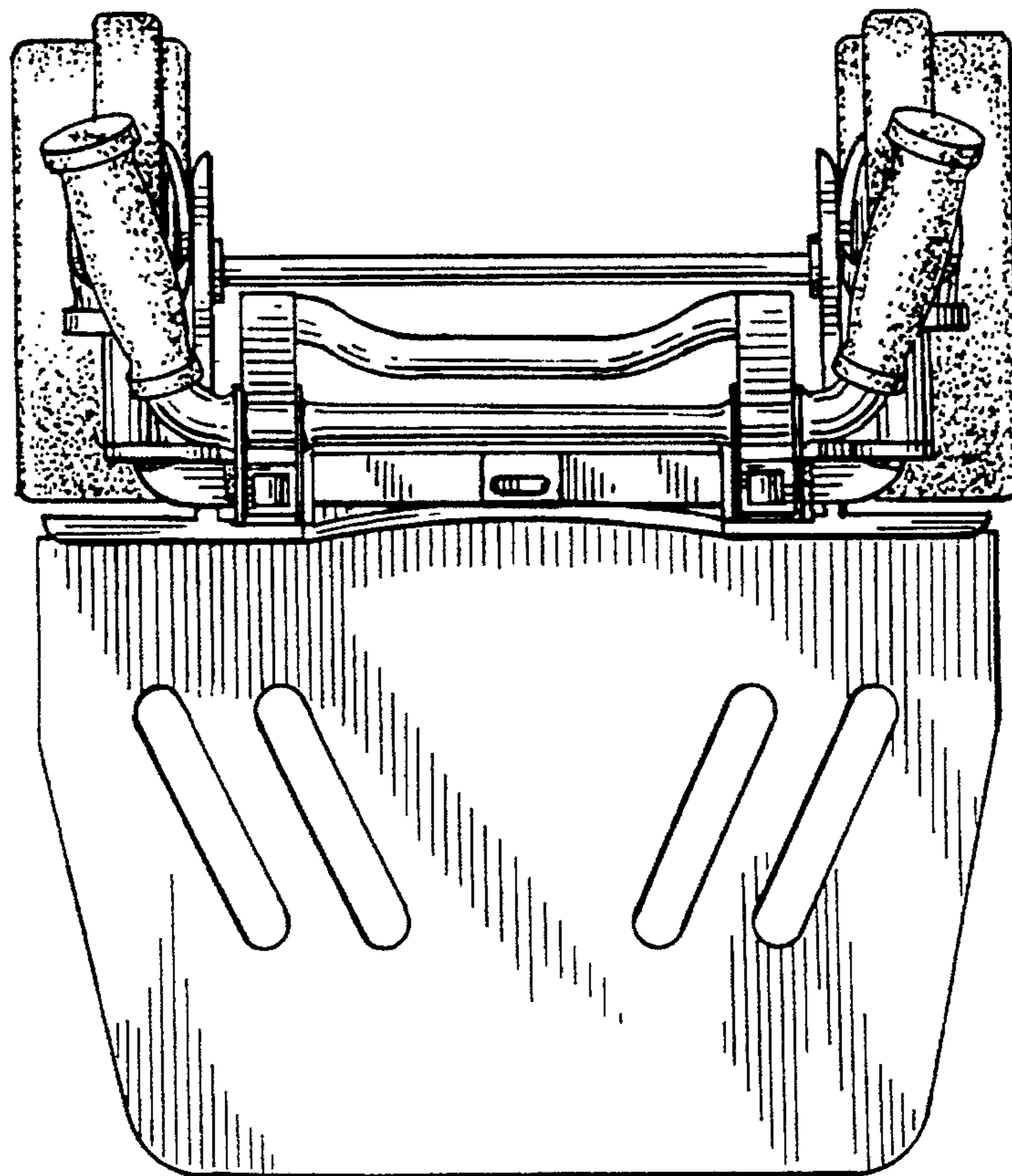


*Fig. 3*

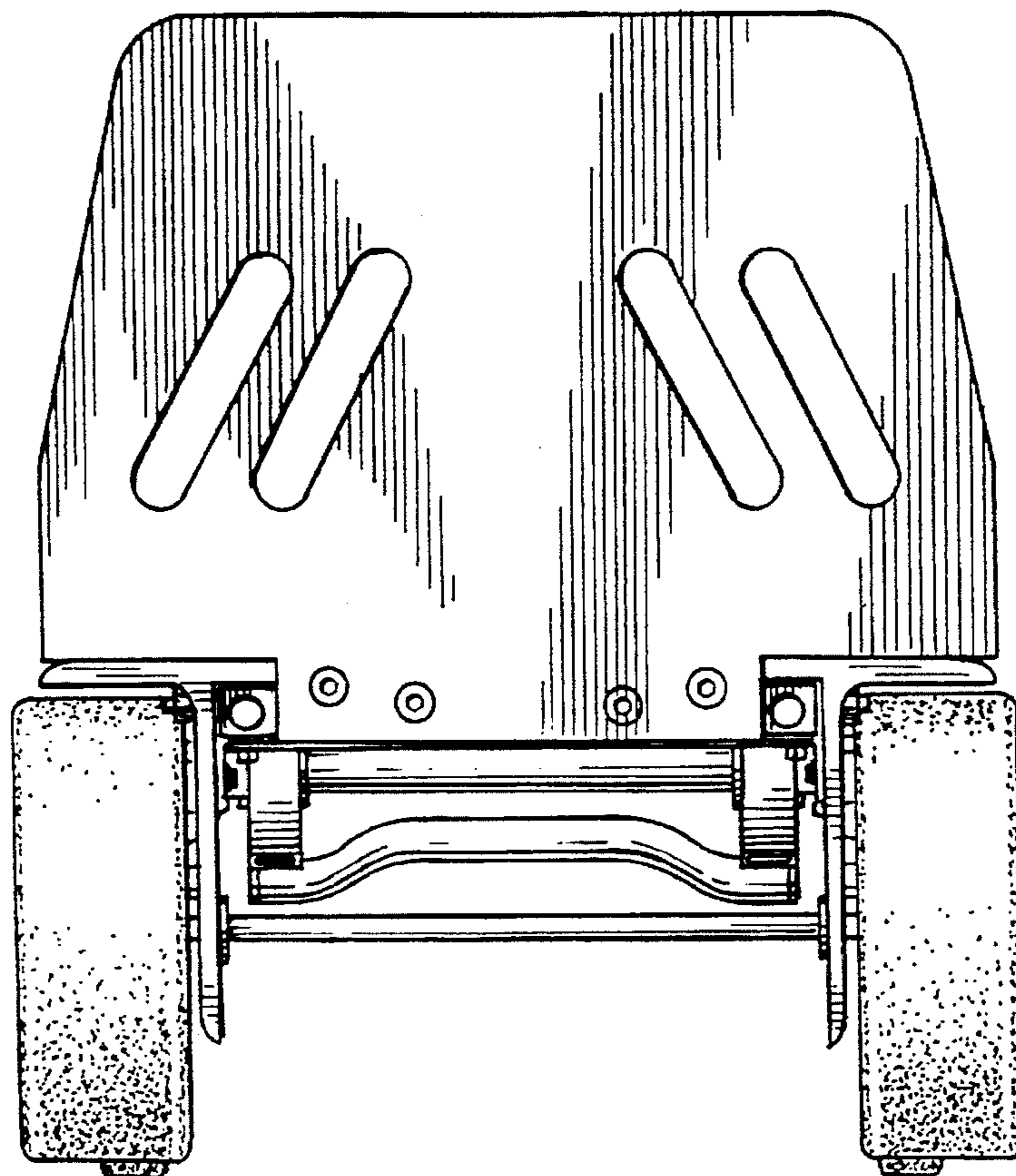
*Fig. 4*



*Fig. 5*



*Fig. 6*



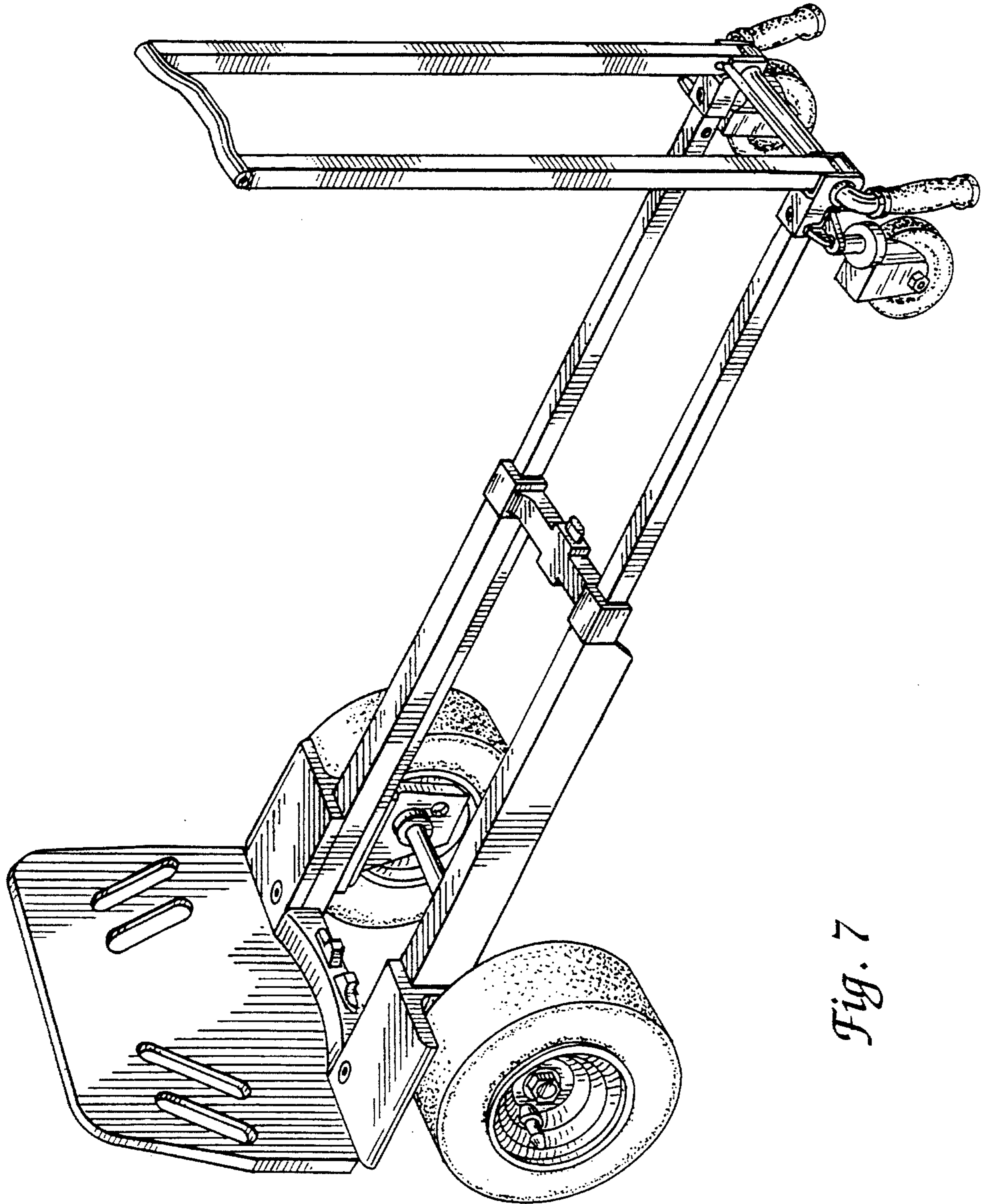


Fig. 7