



US00D364020S

United States Patent [19]

Wang

[11] Patent Number: **Des. 364,020**

[45] Date of Patent: ****Nov. 7, 1995**

[54] **WHEELED DOLLY FOR GOLF BAGS**

4,772,035 9/1988 Danial 280/47.3

[76] Inventor: **Jessie L.-K. Wang**, 531 - 12th Ave.,
San Francisco, Calif. 94118

Primary Examiner—Kay H. Chin
Attorney, Agent, or Firm—Linval B. Castle

[**] Term: **14 Years**

[57] **CLAIM**

[21] Appl. No.: **26,058**

The ornamental design for a wheeled dolly for golf bags, as shown and described.

[22] Filed: **Jul. 18, 1994**

DESCRIPTION

[52] U.S. Cl. **D34/23; D34/27**

[58] Field of Search **D34/12, 23, 27;**
280/47.131, 79.2, 79.11, 79.4, 47.331, 47.30

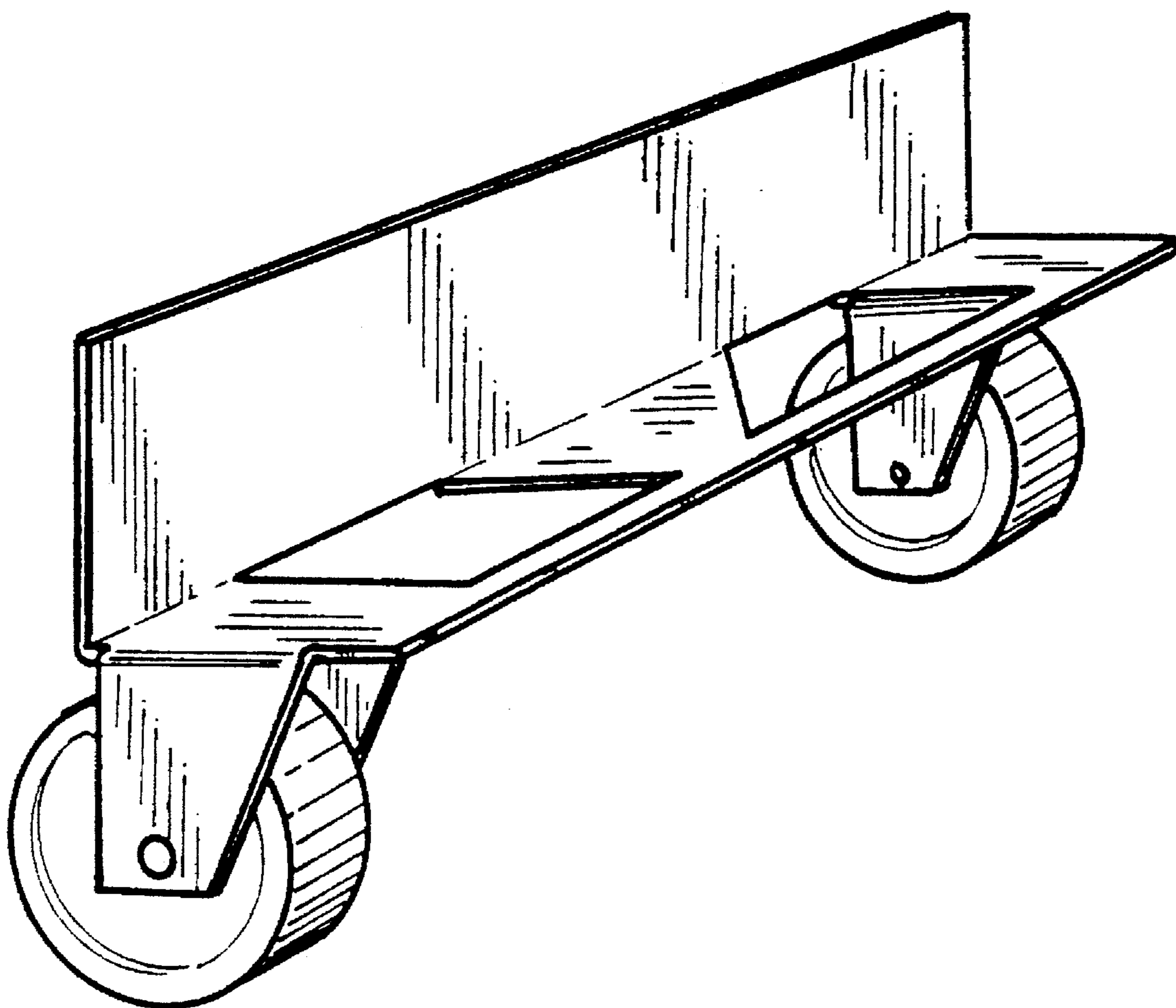
FIG. 1 is an elevational view of a first side illustrating a wheel dolly for golf bags showing my new design; FIG. 2 is an elevational view of a second side thereof; FIG. 3 is an end view thereof, the opposite end being a mirror image thereof; FIG. 4 is a bottom plan view thereof; FIG. 5 is a top plan view thereof; and, FIG. 6 is a perspective view thereof.

[56] **References Cited**

U.S. PATENT DOCUMENTS

D. 340,337	10/1993	Beasley	D34/23
2,816,771	12/1957	Hunt	280/47.131
2,868,557	1/1959	Klipp et al.	280/47.131
3,826,513	7/1974	Wolf	280/47.131

1 Claim, 2 Drawing Sheets



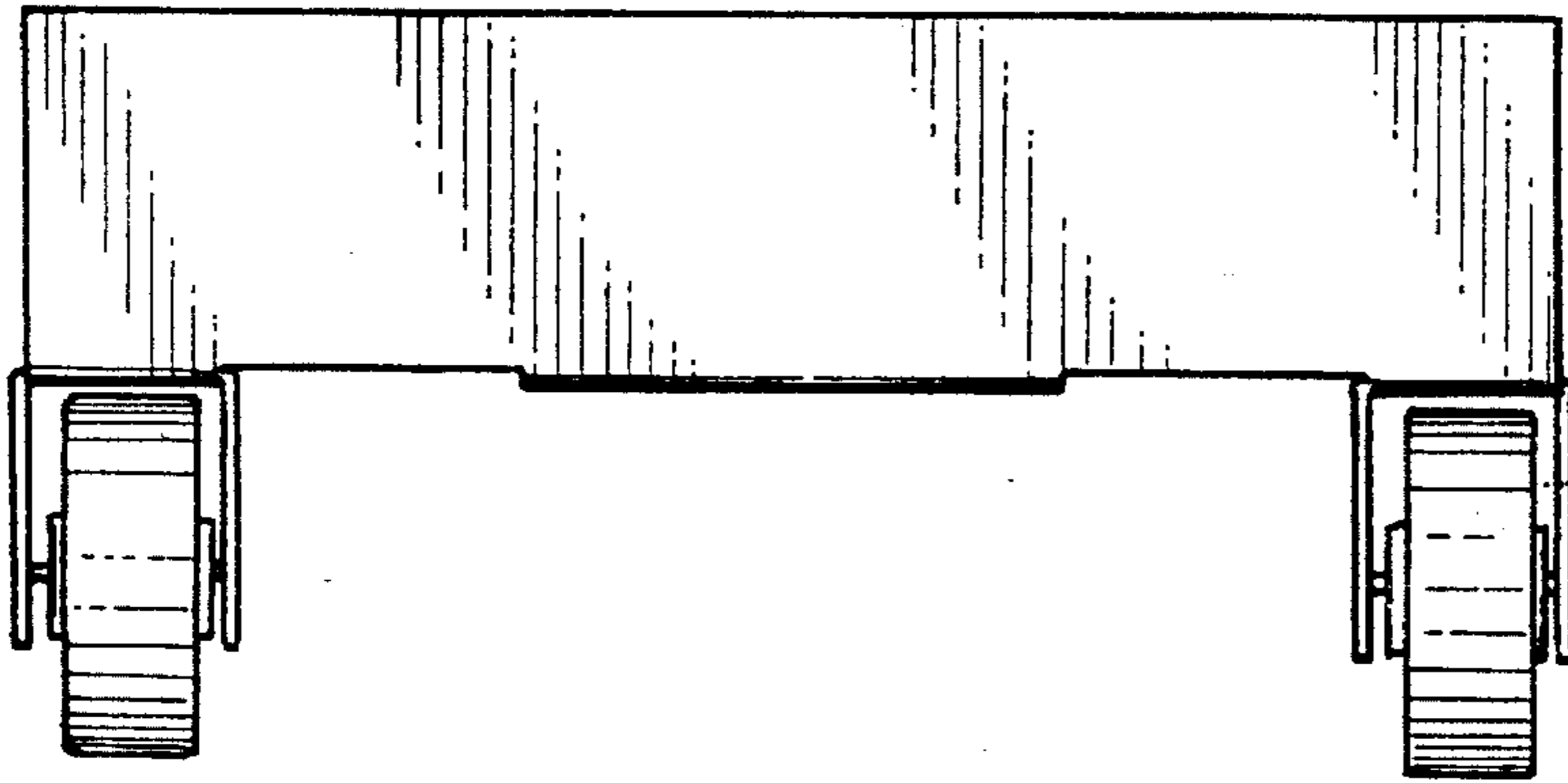


FIG. 1

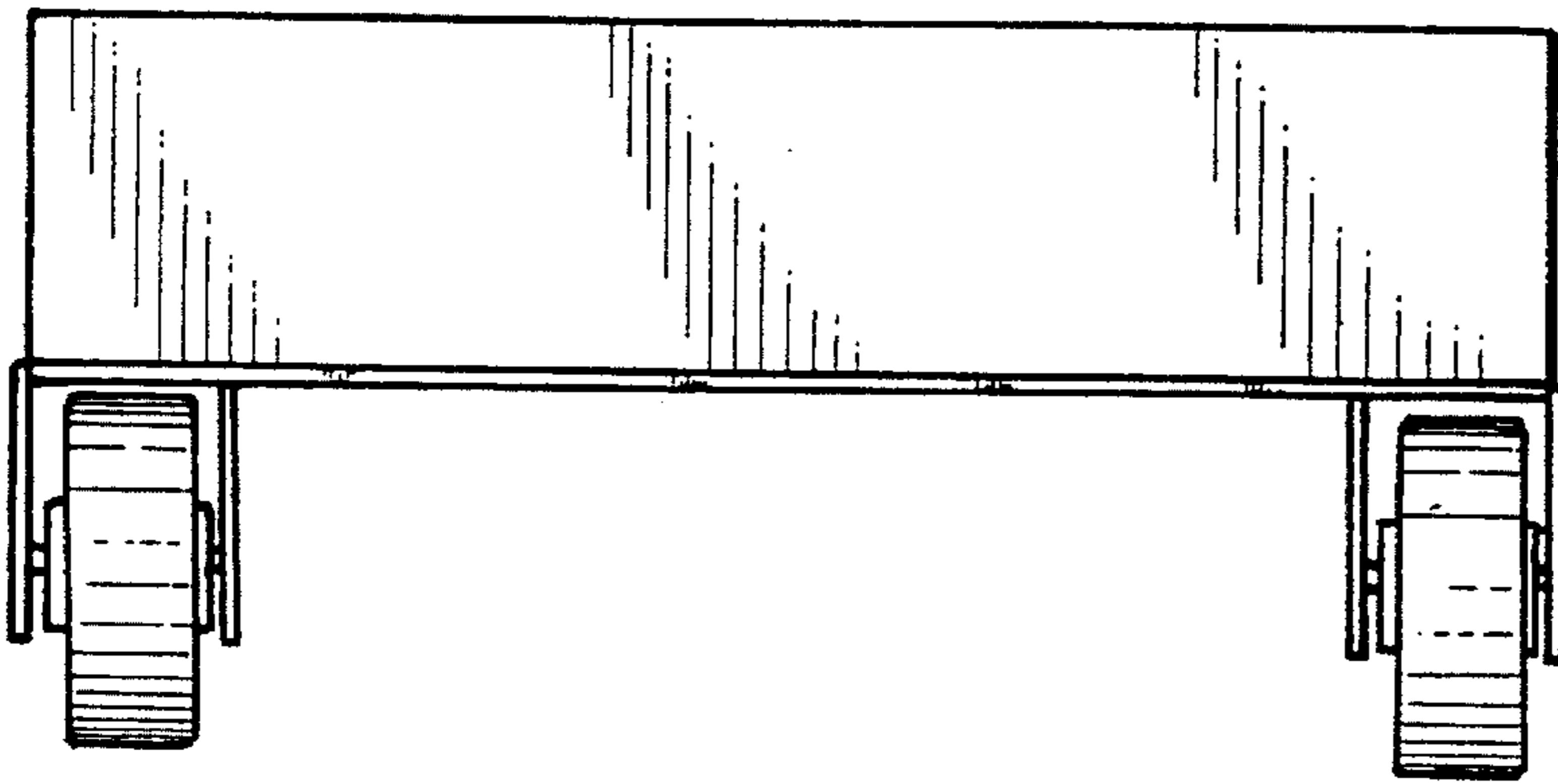


FIG. 2

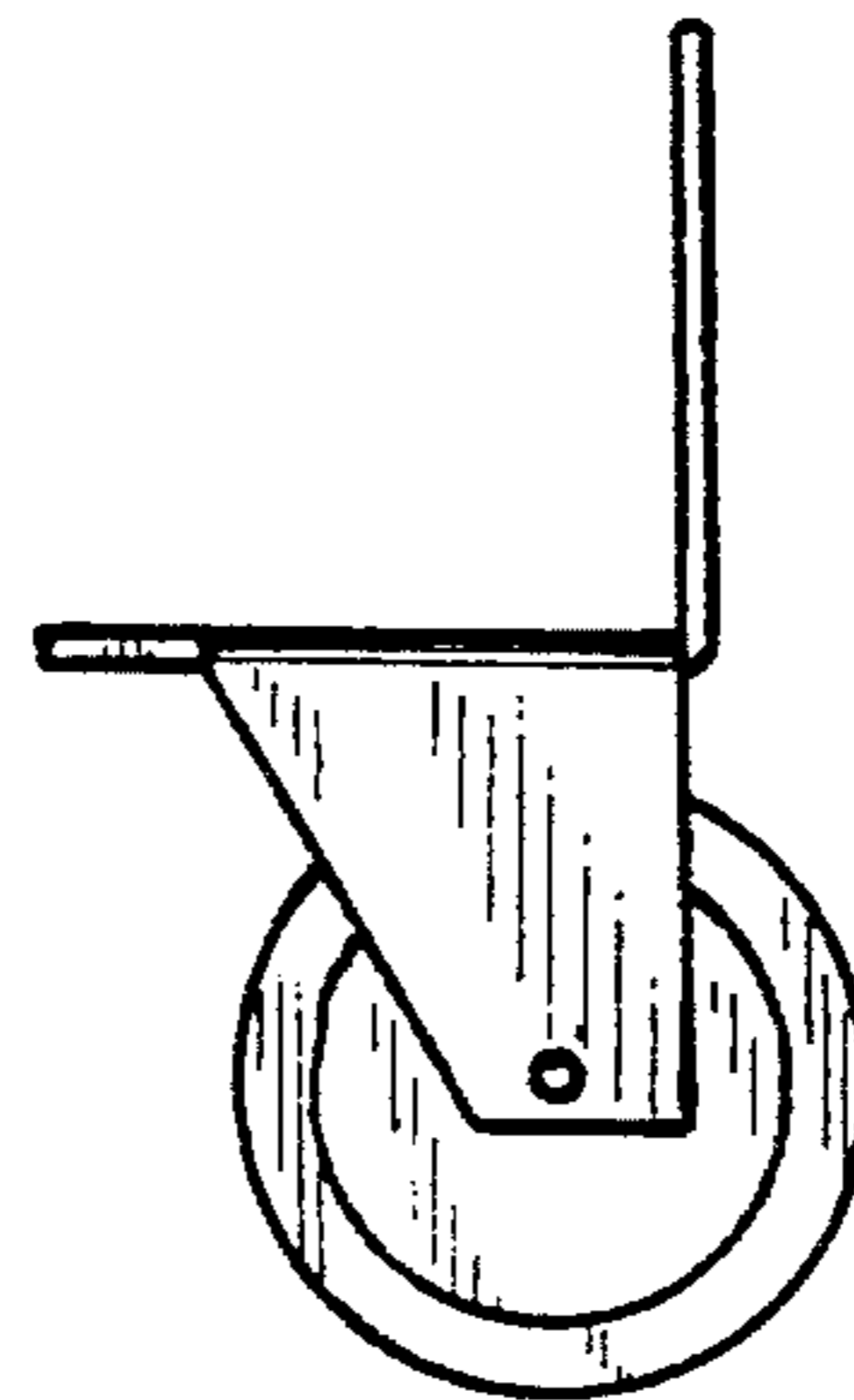


FIG 3

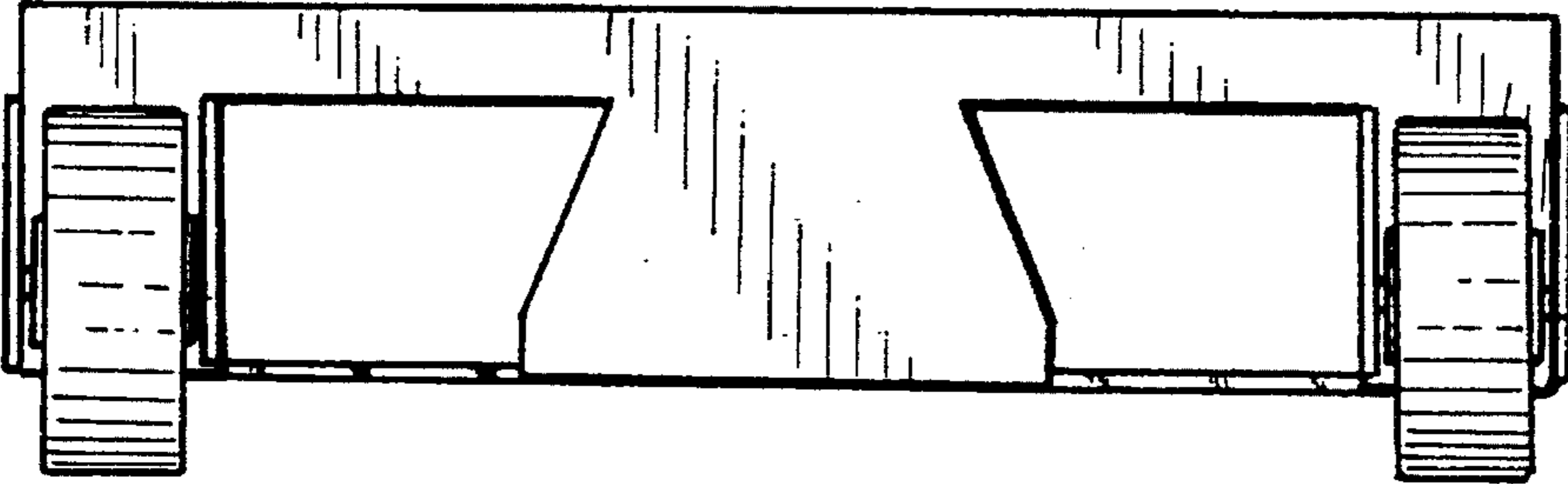


FIG. 4

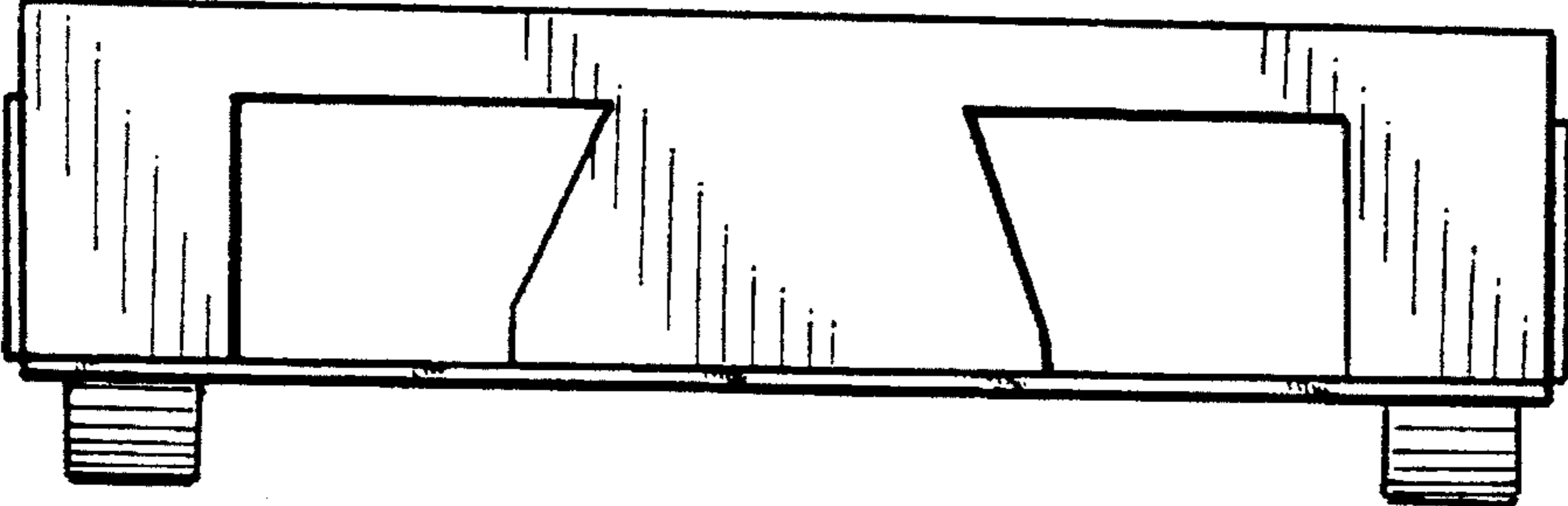


FIG. 5

FIG. 6

