



US00D364019S

United States Patent [19] Reibl

[11] **Patent Number:** **Des. 364,019**

[45] **Date of Patent:** ****Nov. 7, 1995**

[54] **STEAM GENERATOR FOR A STEAM IRON**

[75] Inventor: **Bernd Reibl**, Sindelfingen, Germany

[73] Assignee: **Rowenta-Werke GmbH**, Offenbach am Main, Germany

[**] Term: **14 Years**

[21] Appl. No.: **28,428**

[22] Filed: **Sep. 14, 1994**

[30] **Foreign Application Priority Data**

Mar. 14, 1994 [DE] Germany 94 02 106.6

[52] **U.S. Cl.** **D32/73**

[58] **Field of Search** D32/71, 73, 68;
248/117.1, 117.2, 117.3, 117.4, 117.5, 117.6,
117.7; 38/75, 77.1-77.9, 79, 96, 141, 142

[56] **References Cited**

U.S. PATENT DOCUMENTS

- D. 314,074 1/1991 Banault D32/73
- D. 315,433 3/1991 Chen D32/73 X
- D. 315,434 3/1991 Paulin D32/73 X

Assistant Examiner—Cynthia Ramirez
Attorney, Agent, or Firm—Cohen, Pontani, Lieberman & Pavane

[57] **CLAIM**

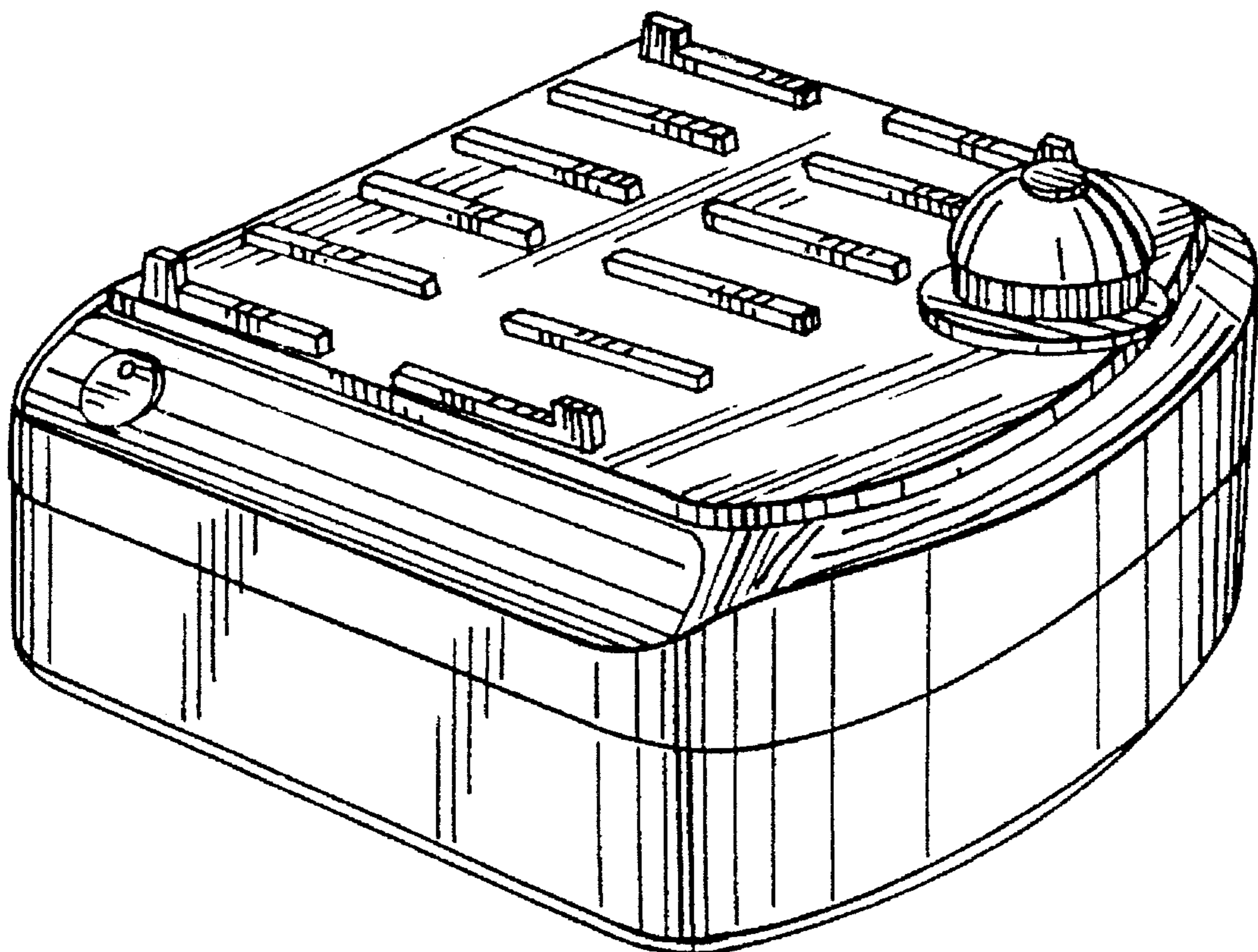
The ornamental design for a steam generator for a steam iron, as shown.

DESCRIPTION

FIG. 1 is a front perspective view of the steam generator for a steam iron of the present invention;
 FIG. 2 is a rear perspective view of the steam generator for a steam iron of FIG. 1;
 FIG. 3 is a side view in elevation of the steam generator for a steam iron of FIG. 1 as seen from the left-hand side of FIG. 5;
 FIG. 4 is a side view in elevation of the steam generator for a steam iron of FIG. 1 as seen from the right-hand side of FIG. 5;
 FIG. 5 is a front view in elevation of the steam generator for a steam iron of FIG. 1;
 FIG. 6 is a rear view in elevation of the steam generator for a steam iron of FIG. 1;
 FIG. 7 is a top plan view of FIG. 6; and
 FIG. 8 is a bottom view of FIG. 6.

Primary Examiner—Susan J. Lucas

1 Claim, 2 Drawing Sheets



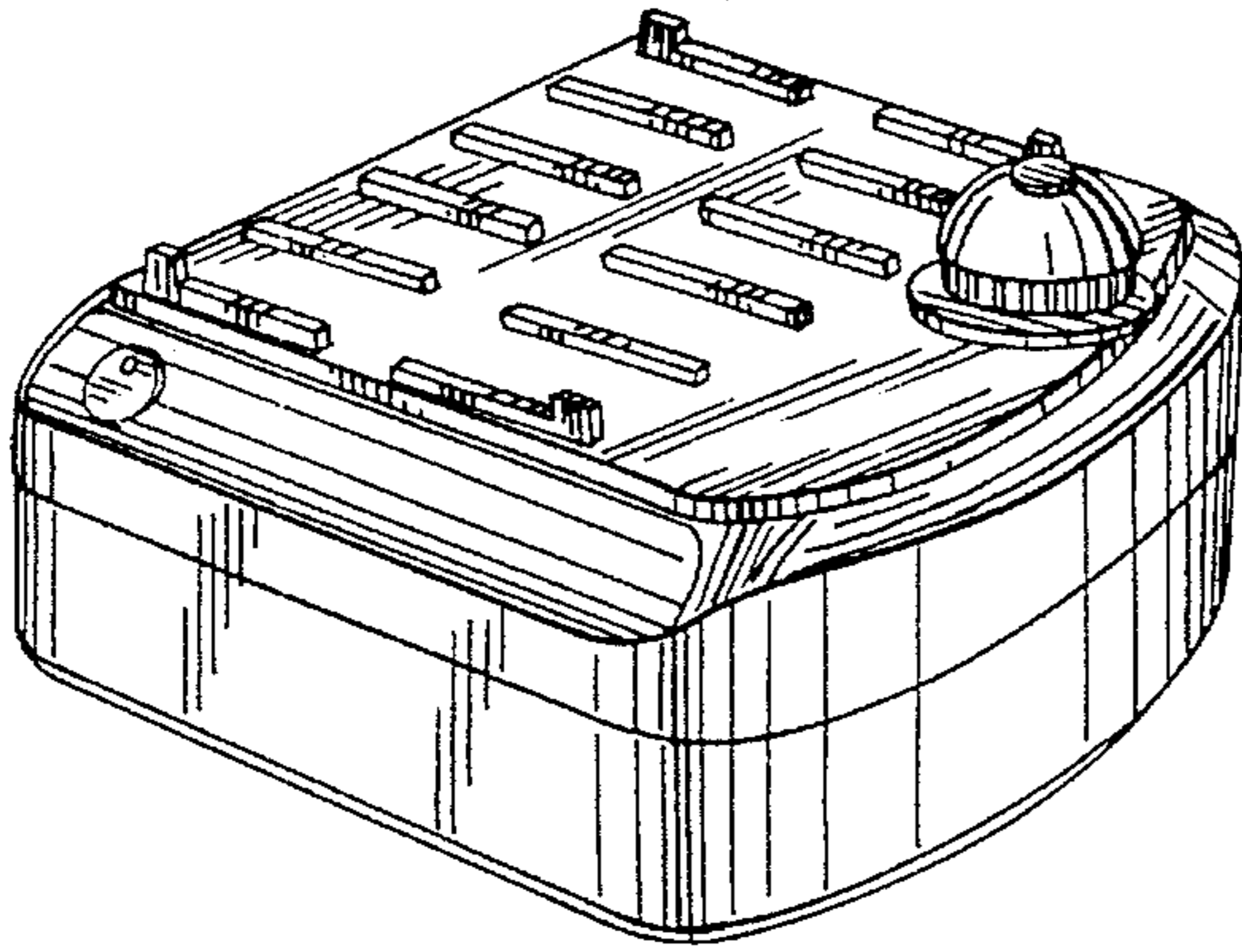


FIG. 1

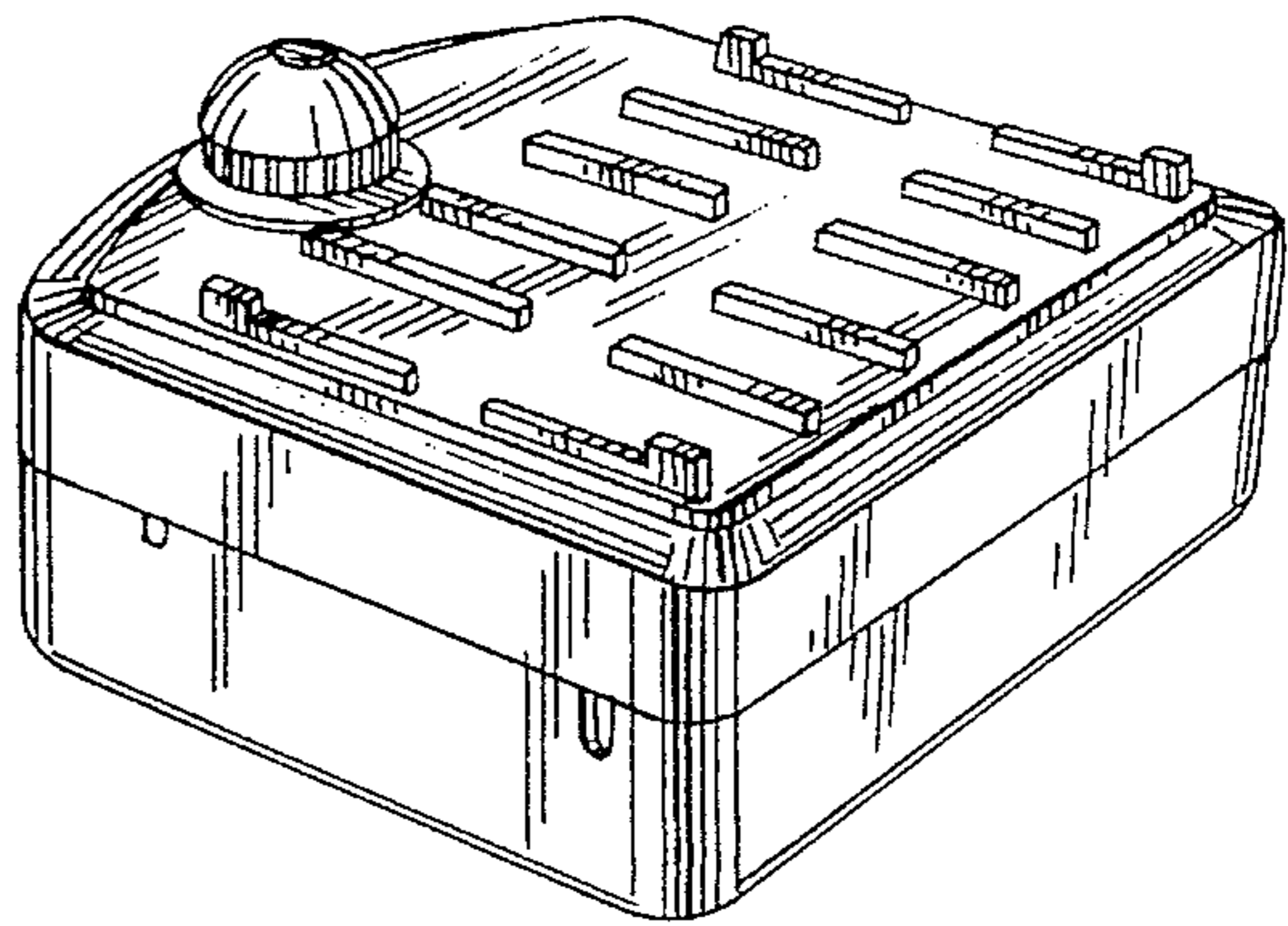


FIG. 2

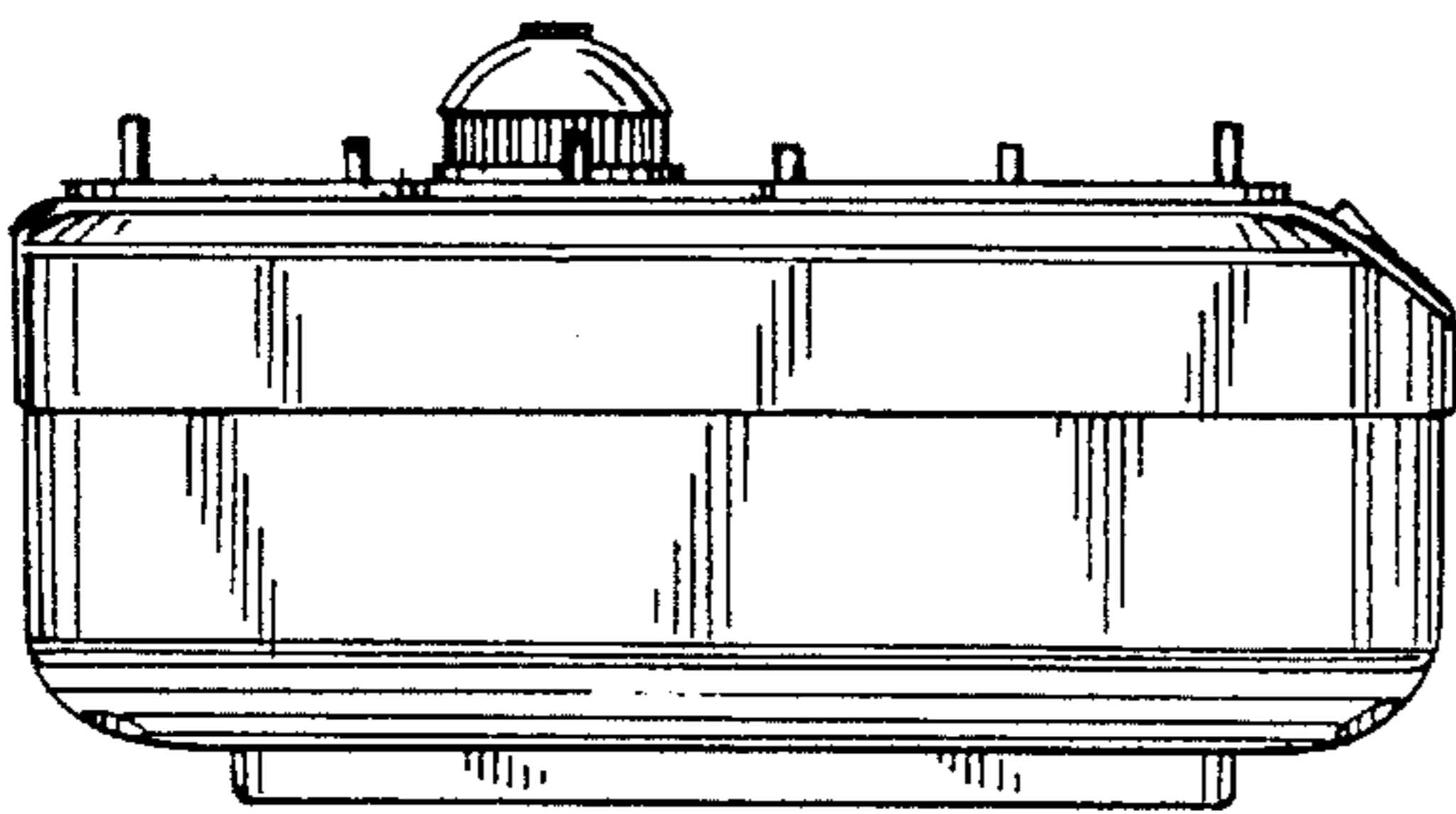


FIG. 3

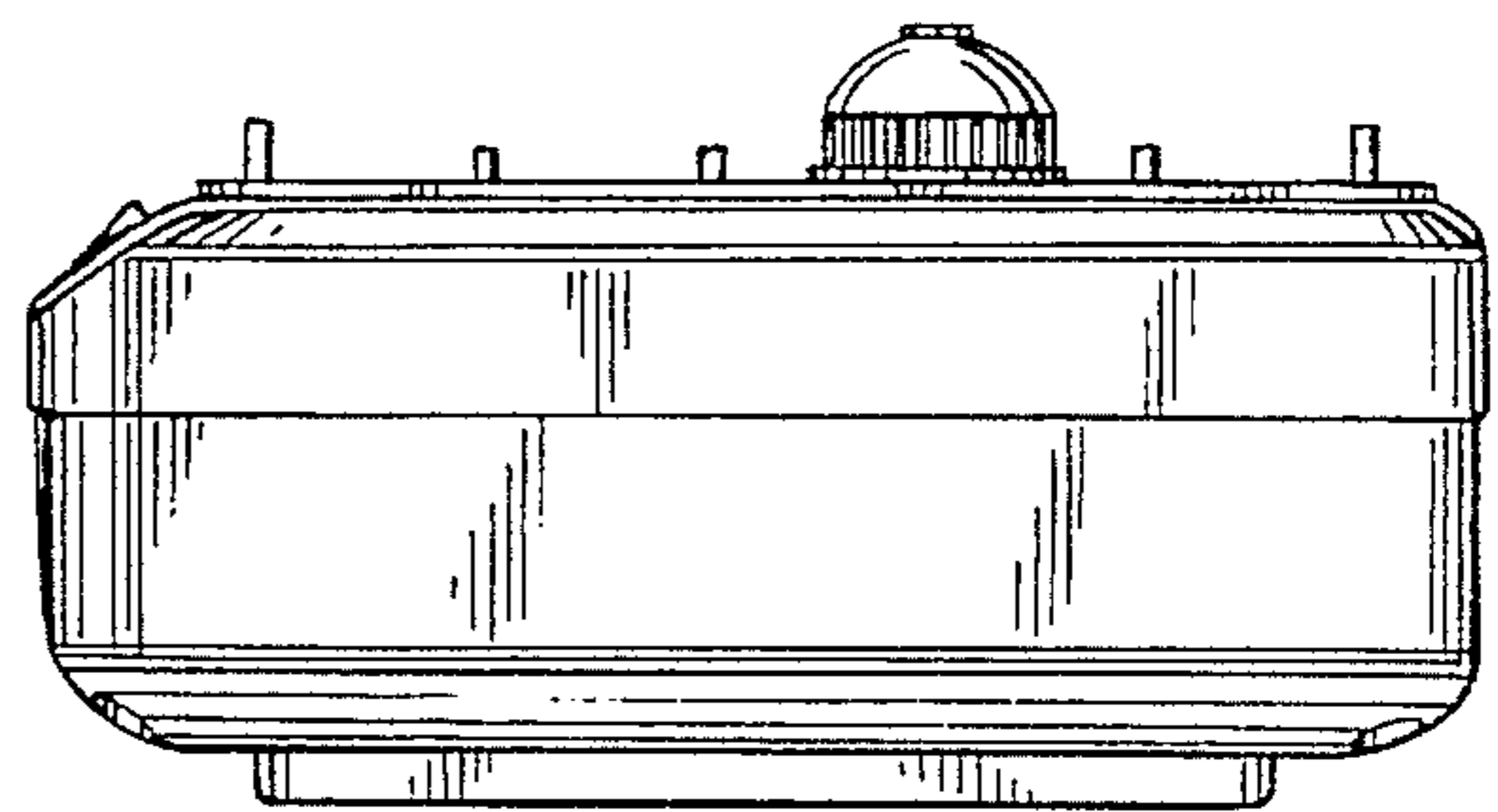


FIG. 4

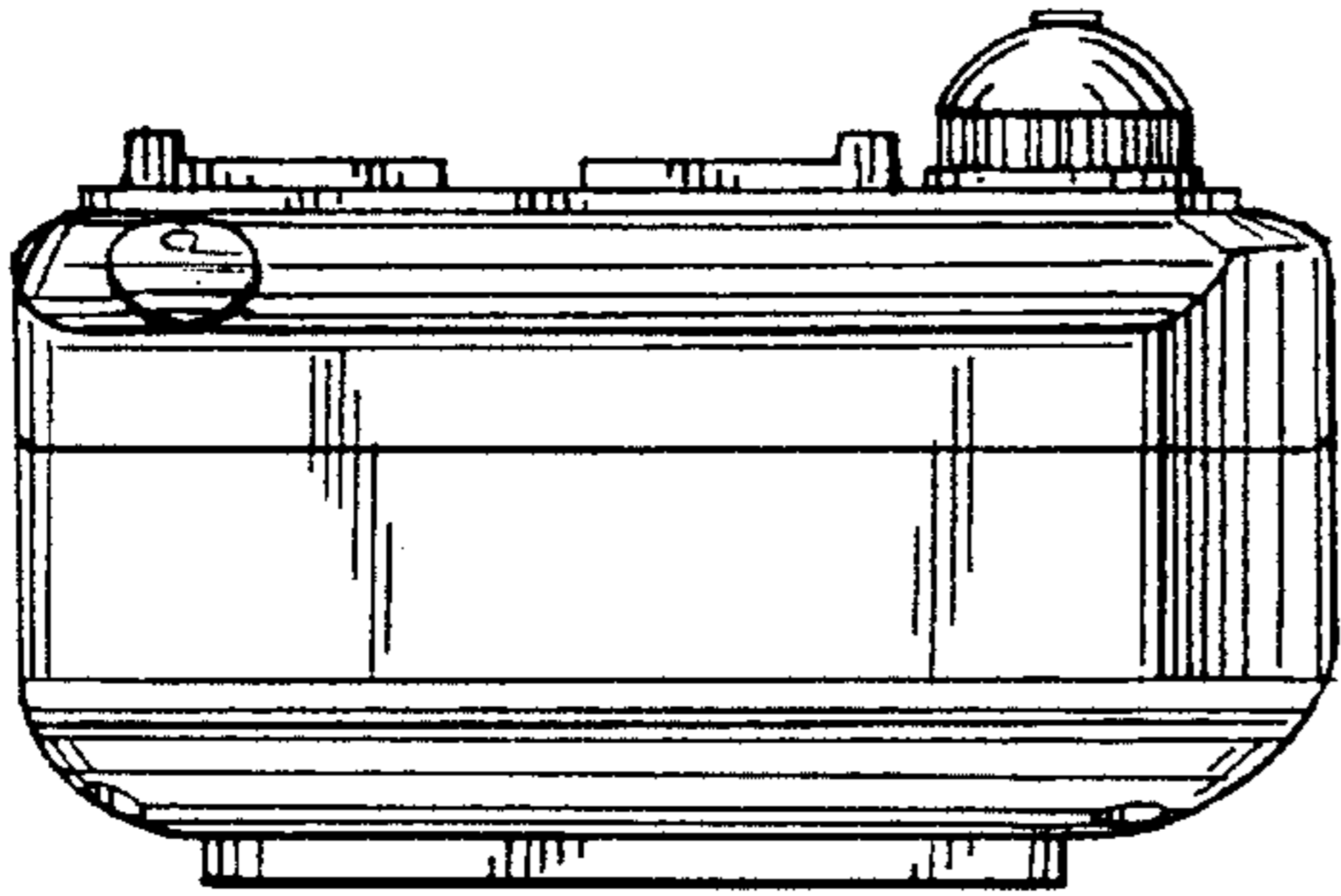


FIG. 5

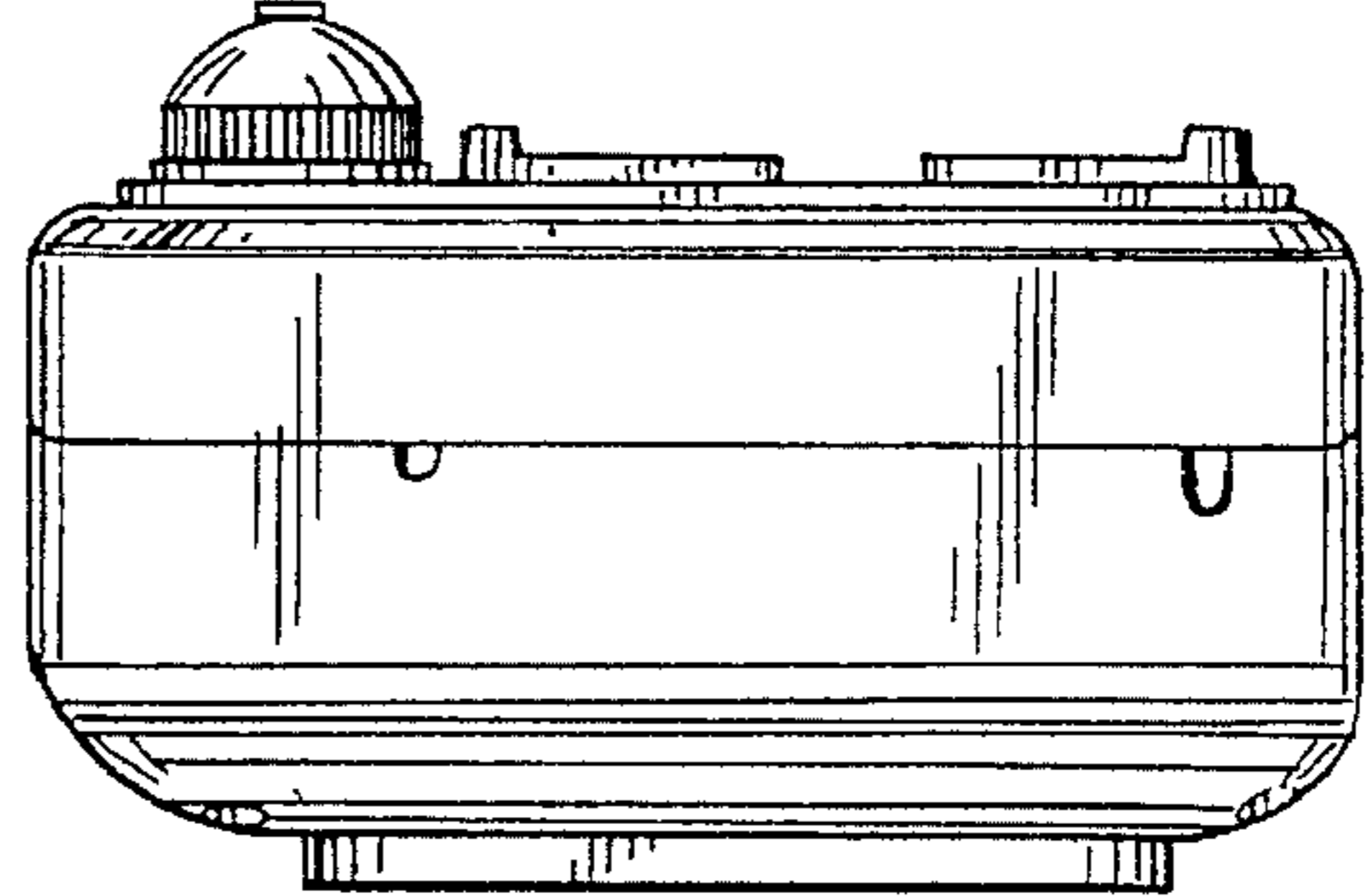


FIG. 6

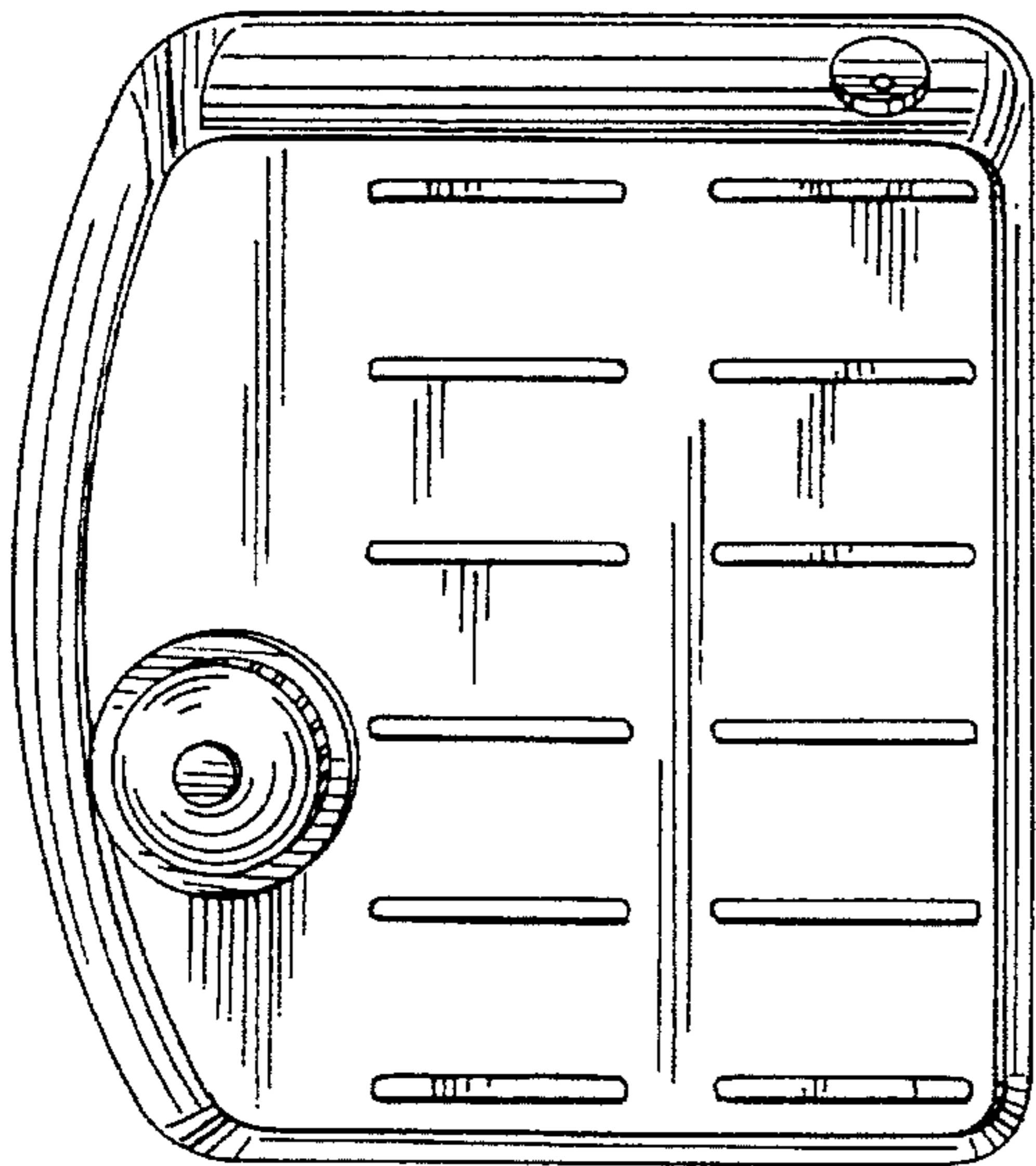


FIG. 7

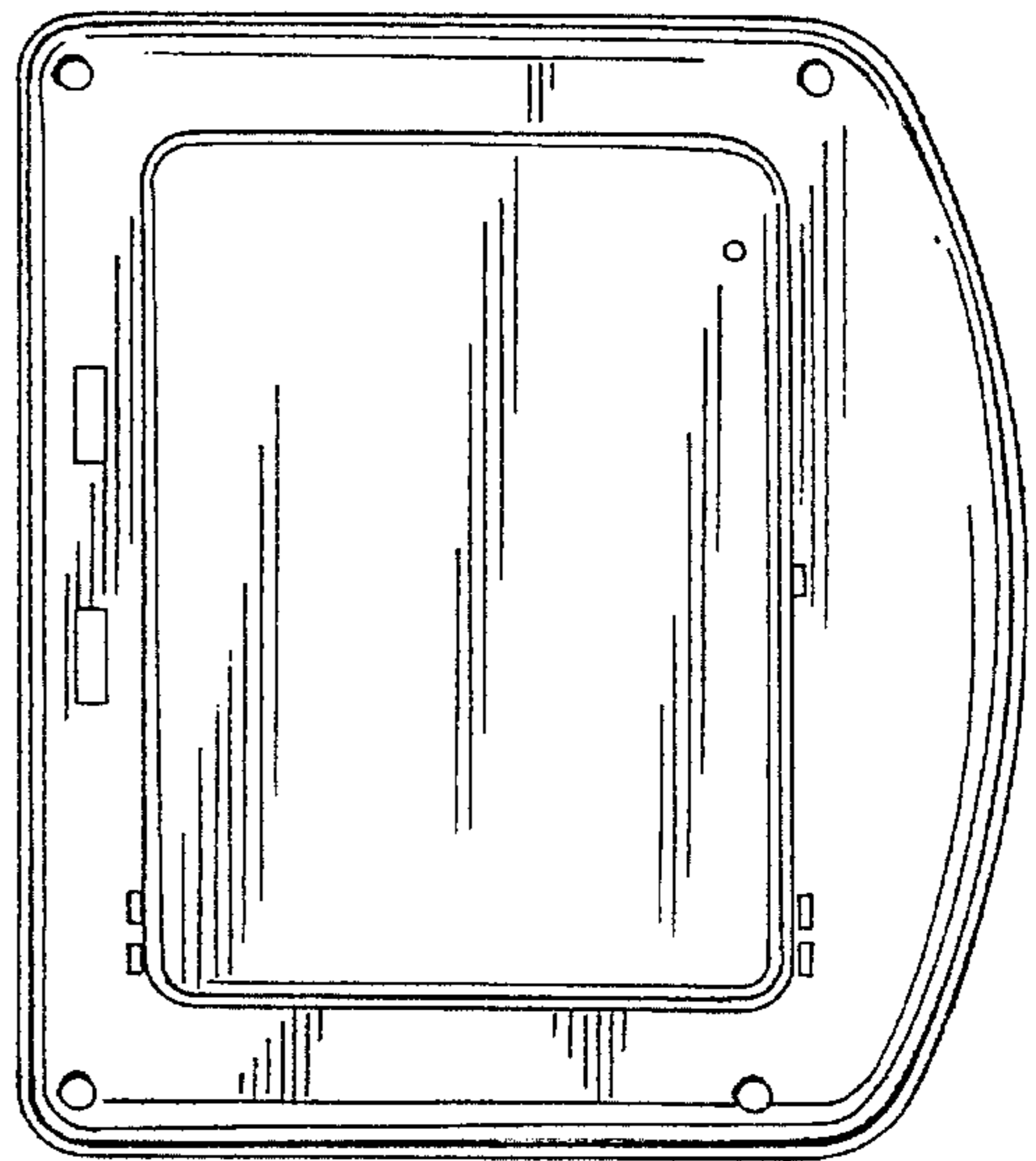


FIG. 8