



US00D364017S

# United States Patent [19] Moffitt

[11] Patent Number: **Des. 364,017**

[45] Date of Patent: **\*\*Nov. 7, 1995**

[54] PAINT BUCKET FOR A MINI ROLLER

[76] Inventor: **Stephen P. Moffitt**, 71 Horseshoe Rd.,  
Guilford, Conn. 06737

[\*\*] Term: **14 Years**

[21] Appl. No.: **26,467**

[22] Filed: **Jul. 28, 1994**

[52] U.S. Cl. .... **D32/53.1**

[58] Field of Search ..... D32/53, 53.1,  
D32/54, 37; D22/136; 15/262, 264, 257.06,  
257.05; 220/694, 695, 696, 773, 774

## [56] References Cited

### U.S. PATENT DOCUMENTS

D. 28,095	12/1897	Mills .	
D. 202,134	8/1965	Bryan .	
D. 212,831	11/1968	Koch .....	D32/53
D. 293,144	12/1987	Papke .	
D. 303,304	9/1989	Sabatino .	
D. 352,143	11/1994	Arshinoff .....	D32/53
1,848,331	3/1932	Esslinger .....	15/264
2,661,858	4/1952	Howell .	
2,705,334	4/1954	Farrow .	
2,712,668	7/1955	Thiele .....	15/264
2,827,648	3/1958	Geisz .....	15/257.05
2,893,030	7/1959	Averna .....	15/257.06

2,896,809	7/1959	Metzger .....	220/553
3,292,815	10/1963	Smith et al. .	
3,351,970	3/1965	Engl .	
3,493,988	2/1970	Tidwell .....	15/257.06
3,553,762	1/1971	Padgett et al. .	
4,145,789	3/1979	Morgan .....	15/257.06
4,706,918	11/1987	Wilson .	
4,927,046	5/1990	Armstrong .	
5,072,868	12/1991	Dickie .	
5,201,439	4/1993	Davies .	

Primary Examiner—Brian N. Vinson

Assistant Examiner—Robin V. Taylor

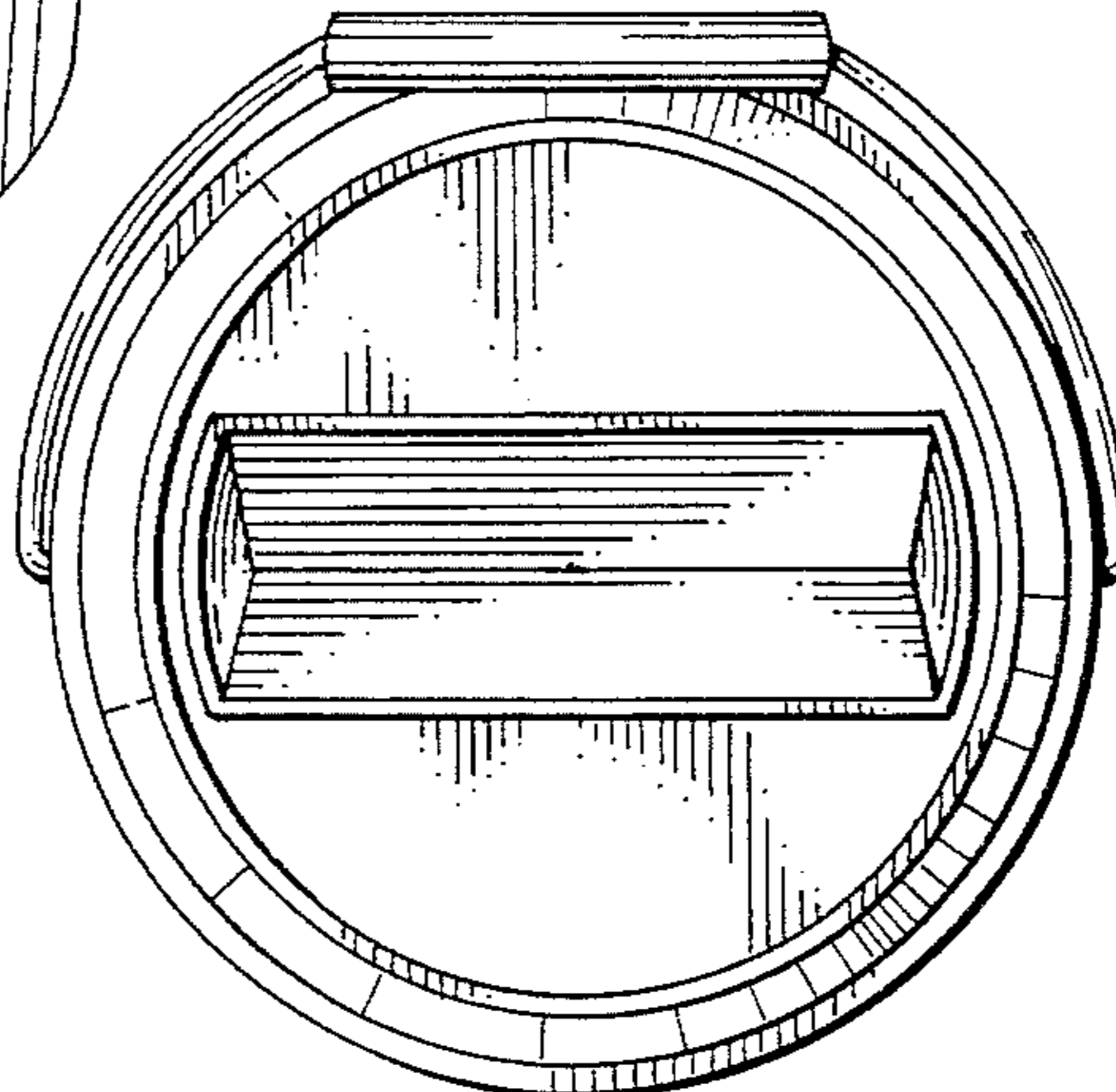
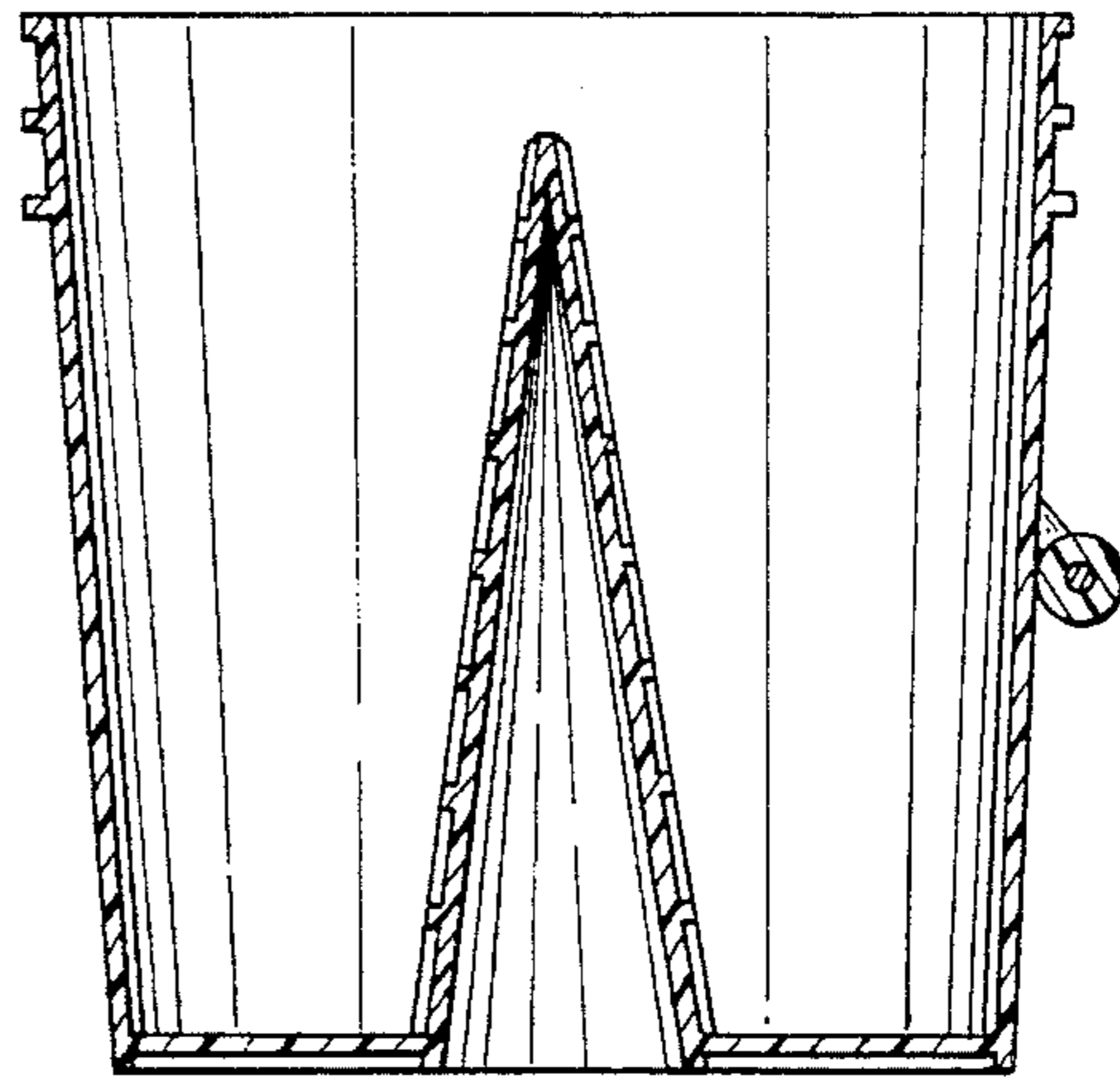
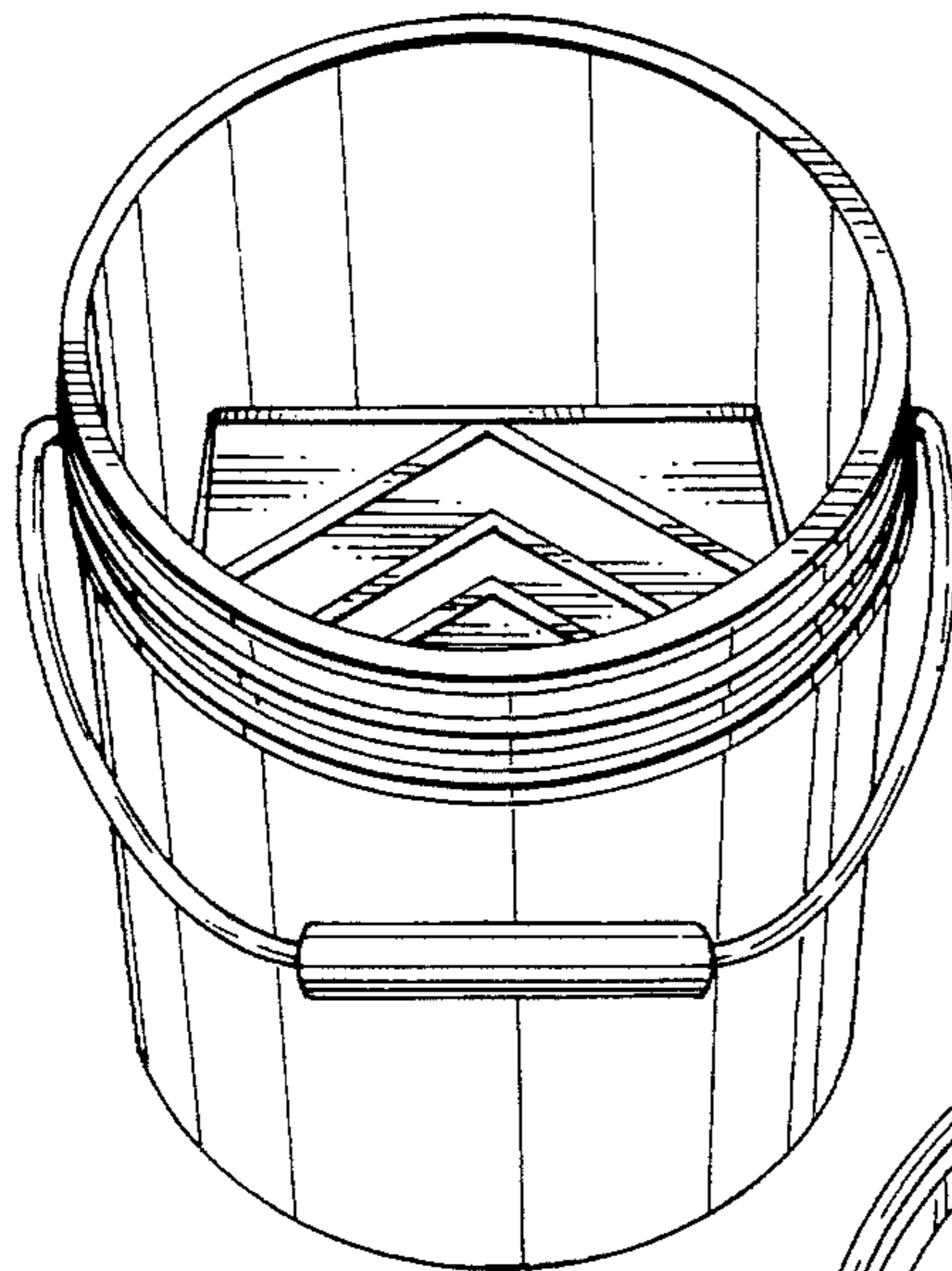
## [57] CLAIM

The ornamental design for the paint bucket for a mini roller, as shown and described.

## DESCRIPTION

FIG. 1 is a perspective view of a paint bucket for a mini roller;  
FIG. 2 is top view of the bucket shown in FIG. 1;  
FIG. 3 is a bottom view of the bucket shown in FIG. 1;  
FIG. 4 is a side view of the bucket shown in FIG. 1, the other side being a mirror image; and,  
FIG. 5 is a vertical sectional view taken along line 5—5 in FIG. 2.

1 Claim, 2 Drawing Sheets



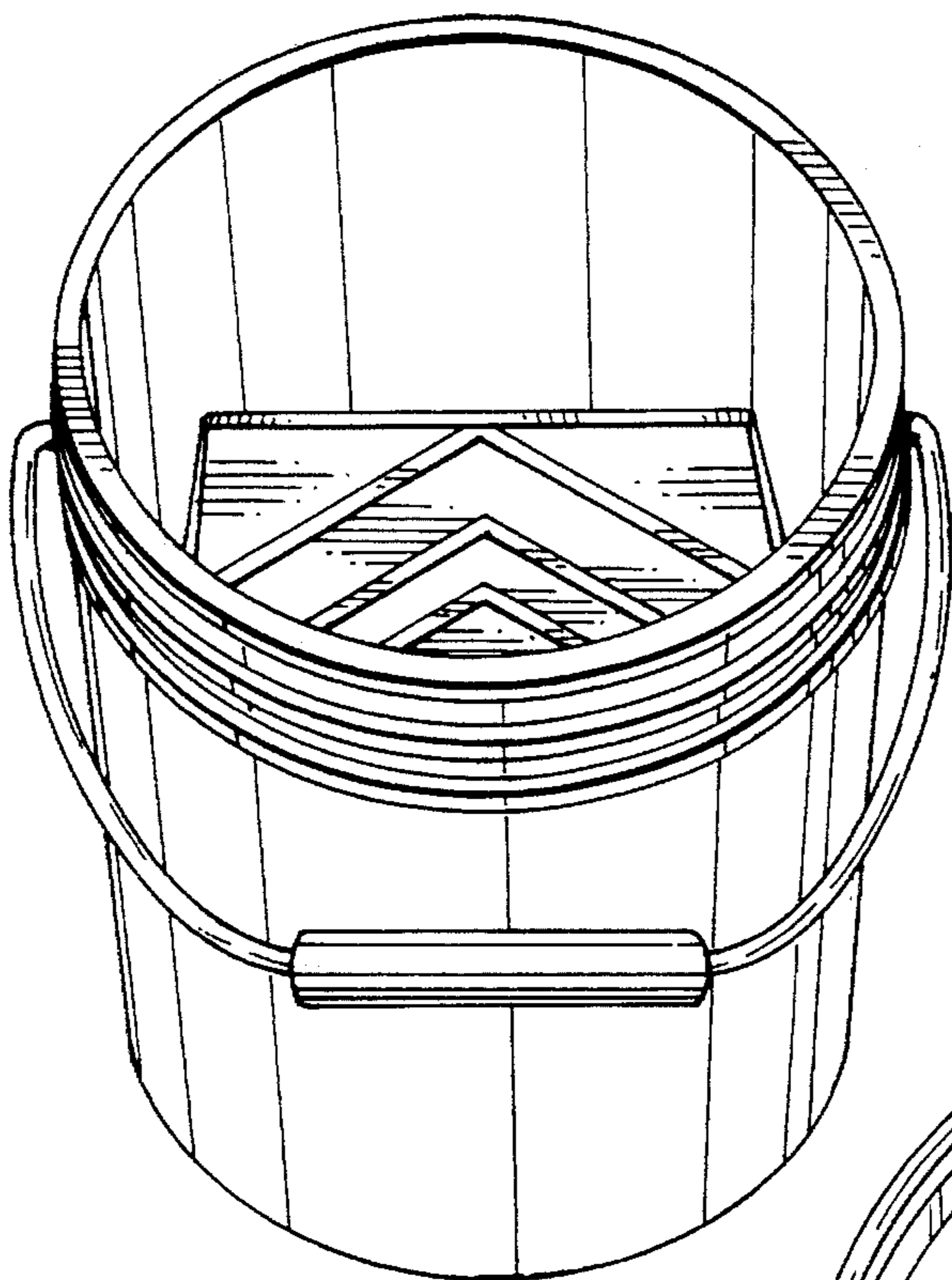


FIG. 1

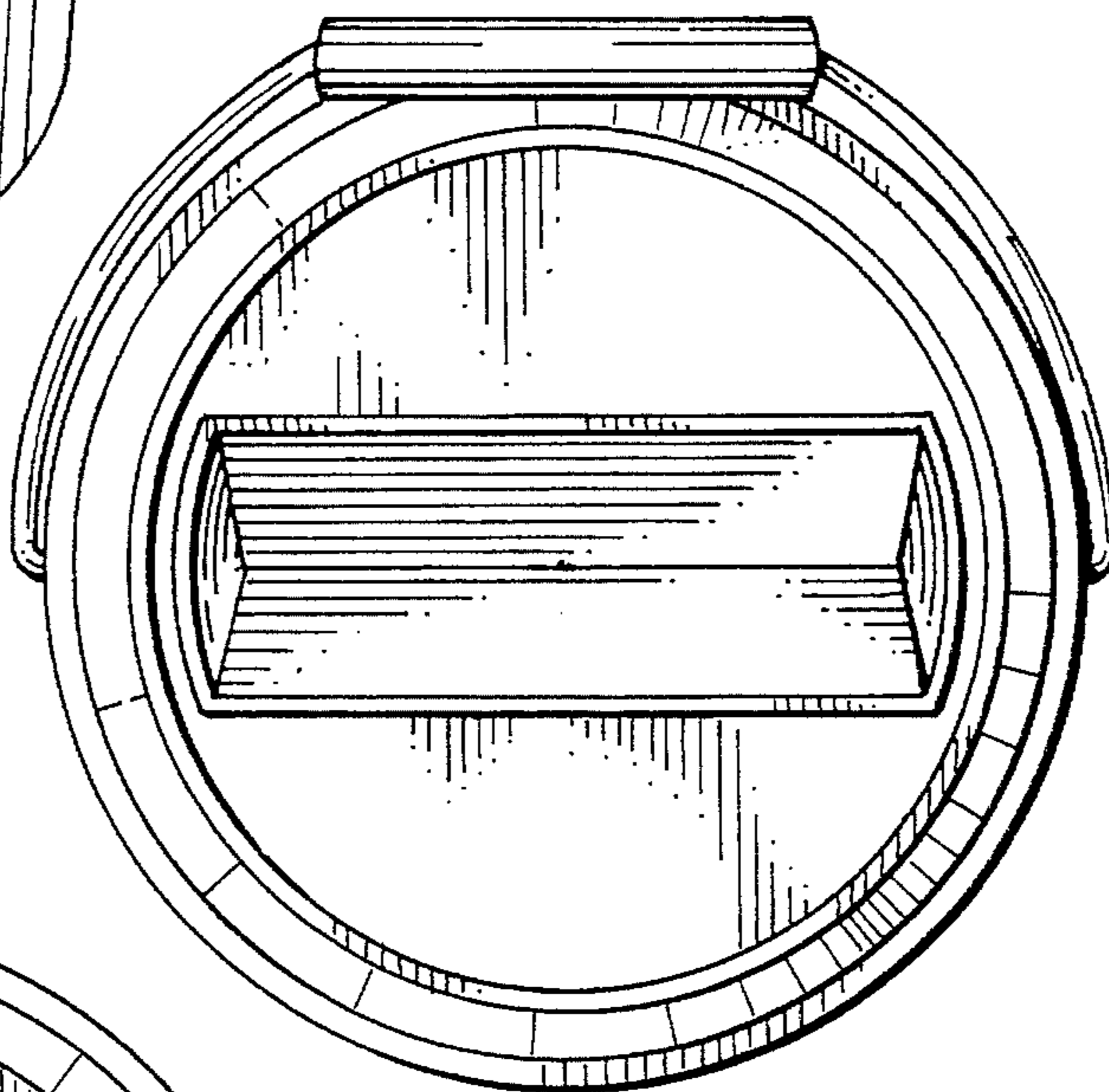
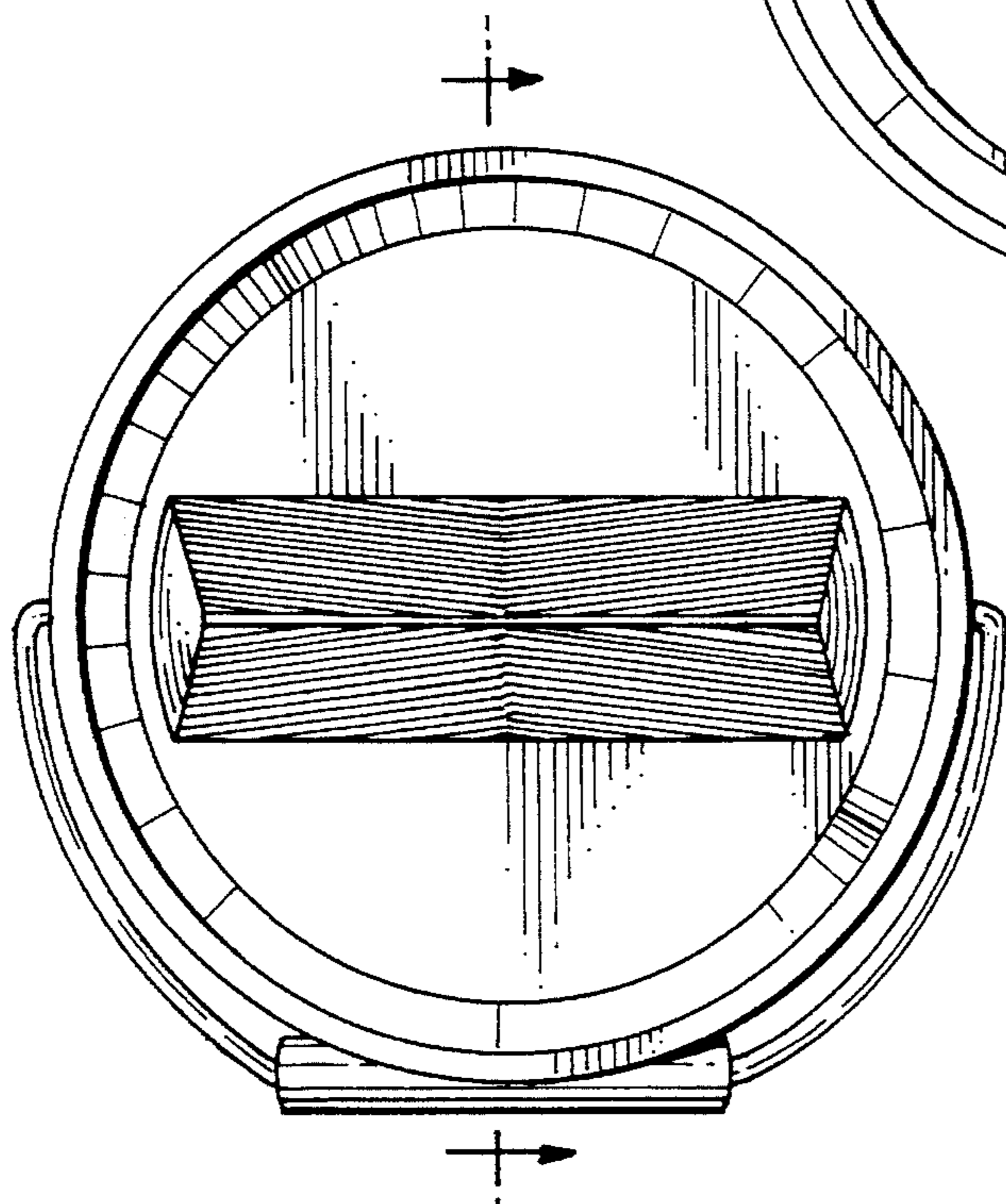
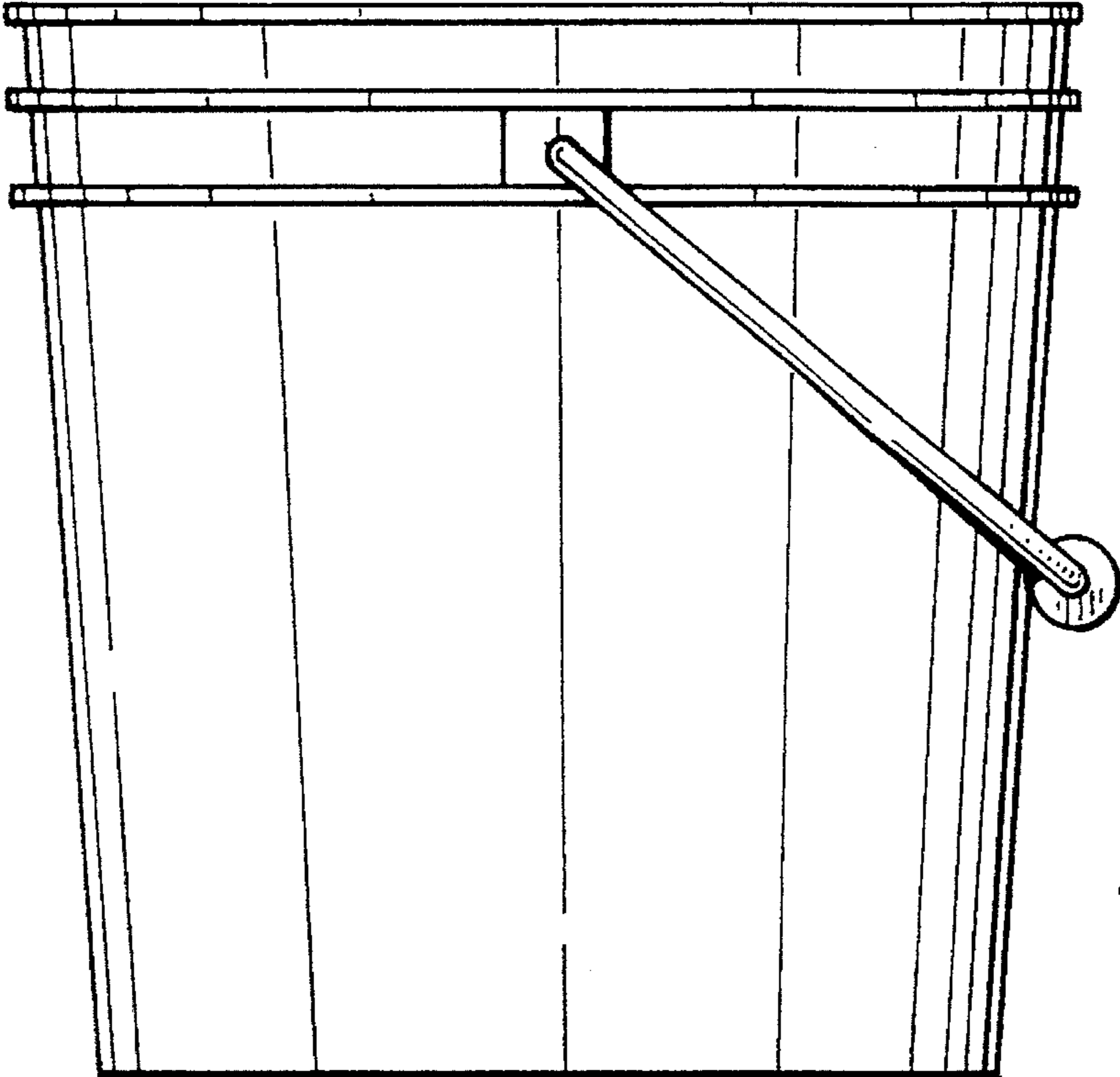


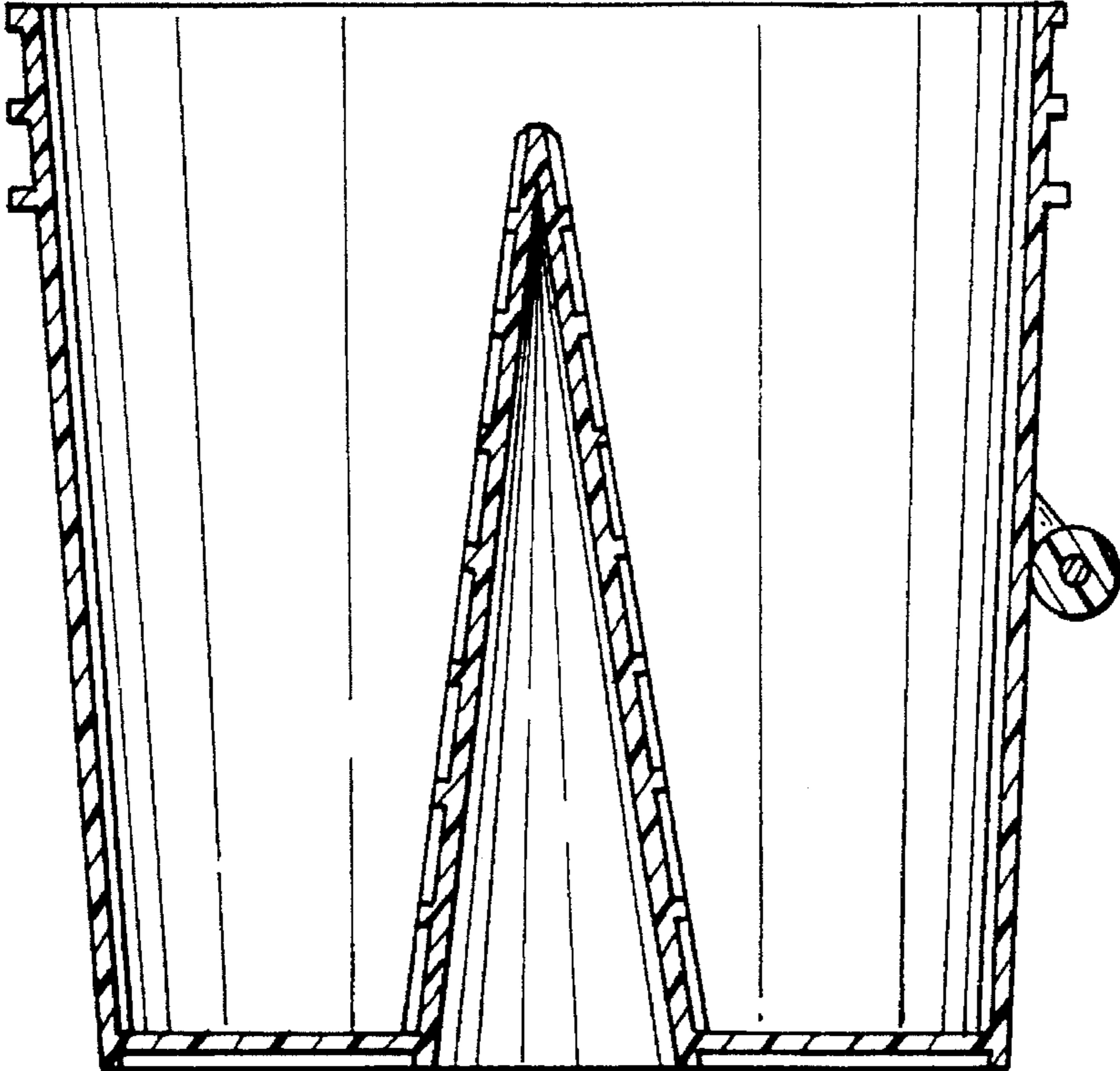
FIG. 2

FIG. 3





*FIG. 4*



*FIG. 5*