



US00D364015S

# United States Patent [19] Stoltzfus

[11] **Patent Number:** **Des. 364,015**  
[45] **Date of Patent:** **\*\*Nov. 7, 1995**

[54] **BULLNOSE CORNER CLEANING TOOL**

[76] Inventor: **John Stoltzfus**, P.O. Box 8077,  
Mammoth Lakes, Calif. 93546

[\*\*] Term: **14 Years**

[21] Appl. No.: **30,914**

[22] Filed: **Nov. 14, 1994**

[52] U.S. Cl. .... **D32/46; D8/45**

[58] Field of Search ..... D32/40, 46, 47,  
D32/49; D7/688, 693, 695; 15/236.01,  
236.02, 236.03, 237, 236.07, 245.1, 236.05;  
30/114, 115, 142, 315, 316, 340

[56] **References Cited**

**U.S. PATENT DOCUMENTS**

D. 229,159	11/1973	Kinney .....	D7/696
D. 253,789	12/1979	Gupta .....	D32/49 X
D. 303,478	9/1989	Wert .....	D32/46 X
D. 332,901	2/1993	Campbell .....	D8/45
407,562	7/1889	Agan .....	15/236.07
1,327,151	1/1920	Frazier .....	15/235.3
2,236,365	5/1939	Clark .....	72/178
2,251,842	8/1941	Hill .....	D7/693 X
2,539,629	1/1951	Knight .....	72/178
2,701,465	2/1955	Johnson et al. ....	15/235.7
2,934,936	7/1956	Vernon .....	72/136
2,944,275	7/1960	Markusen .....	15/236

3,516,106	6/1970	Rolfaro .....	15/236.05
3,686,703	8/1972	Ray .....	15/235.4
4,355,432	10/1982	Storm, Jr. ....	15/245
4,669,970	6/1987	Perry .....	425/458
5,095,573	3/1992	Henke et al. ....	15/236.05 X
5,392,484	2/1995	Stoltzfus .....	15/236.07 X

**FOREIGN PATENT DOCUMENTS**

3644606	7/1988	Germany .
86877	4/1954	Norway .
895397	5/1962	United Kingdom .

*Primary Examiner*—Susan J. Lucas  
*Assistant Examiner*—Cynthia E. Ramirez  
*Attorney, Agent, or Firm*—Lynn & Lynn

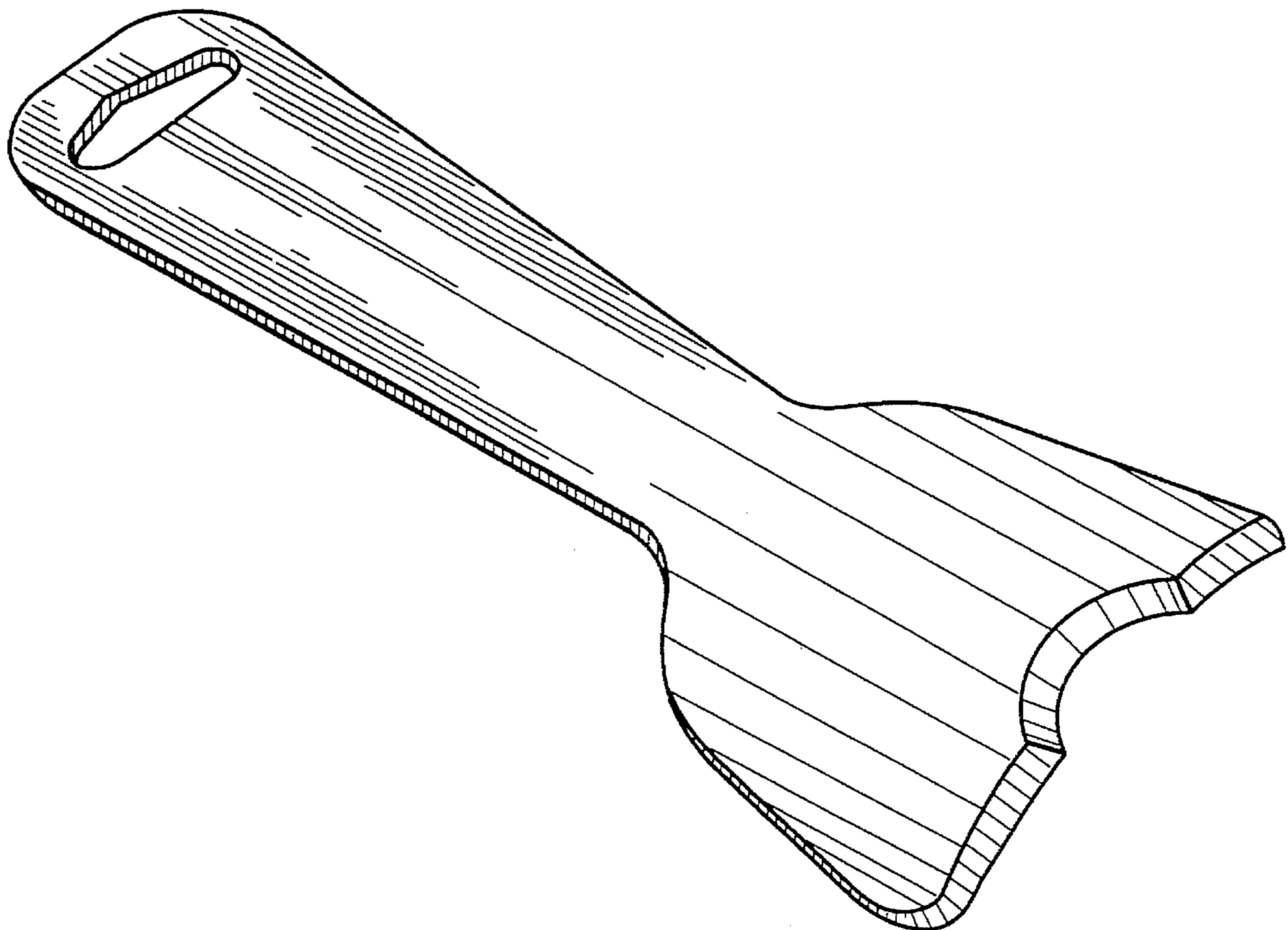
[57] **CLAIM**

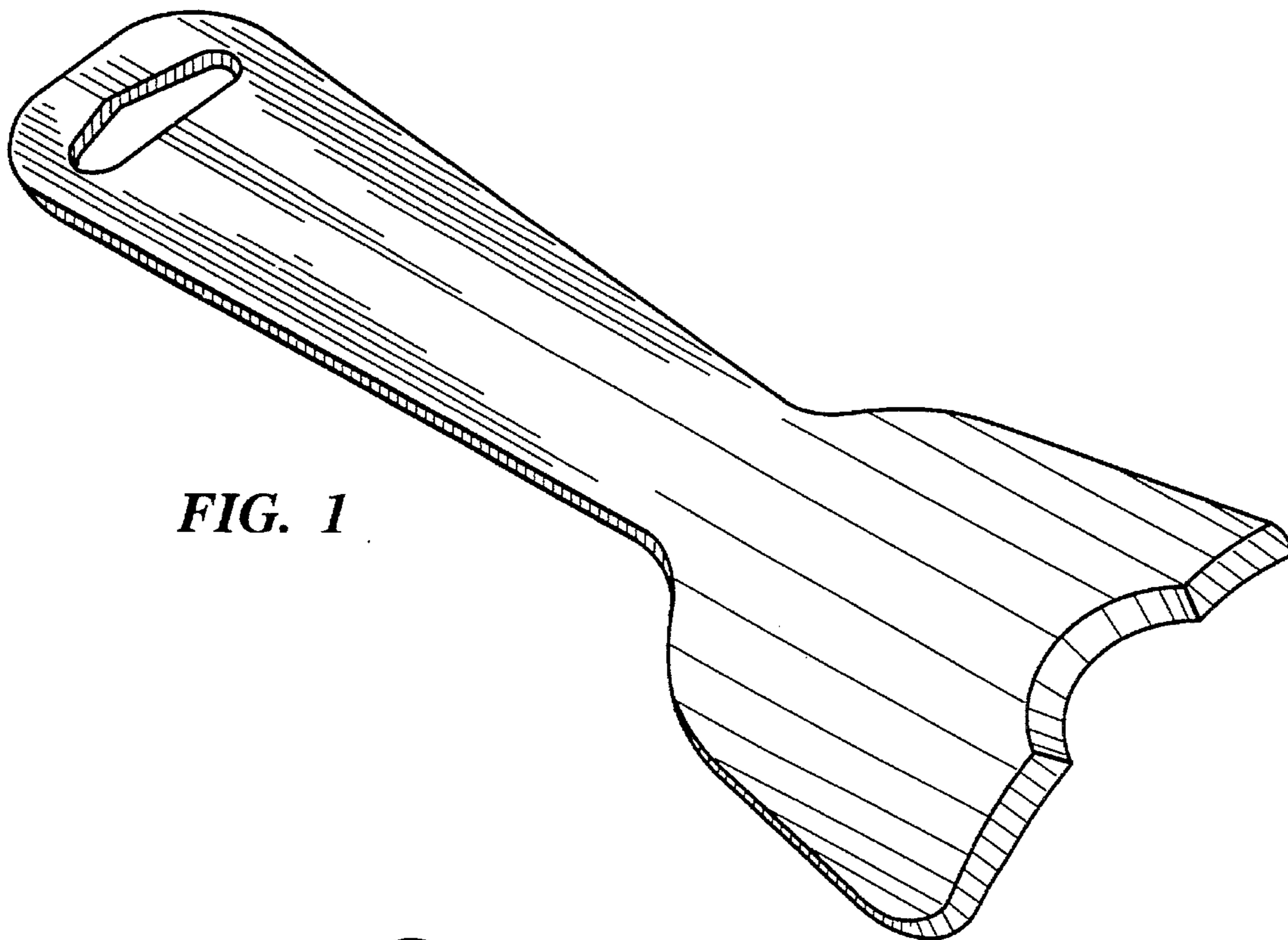
The ornamental design for a bullnose corner cleaning tool, as shown and described.

**DESCRIPTION**

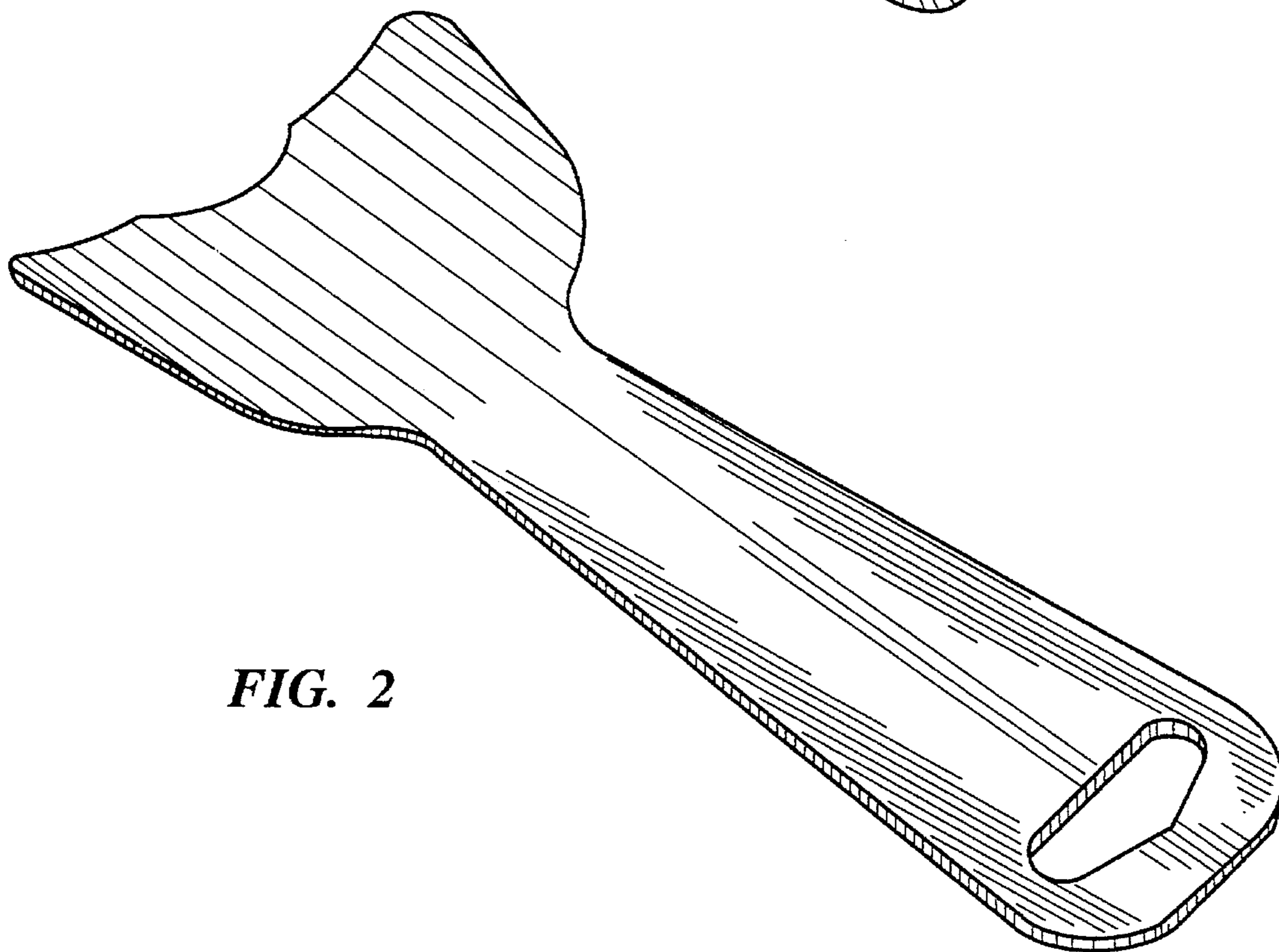
FIG. 1 is a perspective view of my new design;  
FIG. 2 is a perspective view of my new design taken from an angle reverse to that of FIG. 1;  
FIG. 3 is a top plan view showing my new design;  
FIG. 4 is a bottom plan view of my new design; and,  
FIG. 5 is a side elevation view of my new design.

**1 Claim, 2 Drawing Sheets**





**FIG. 1**



**FIG. 2**

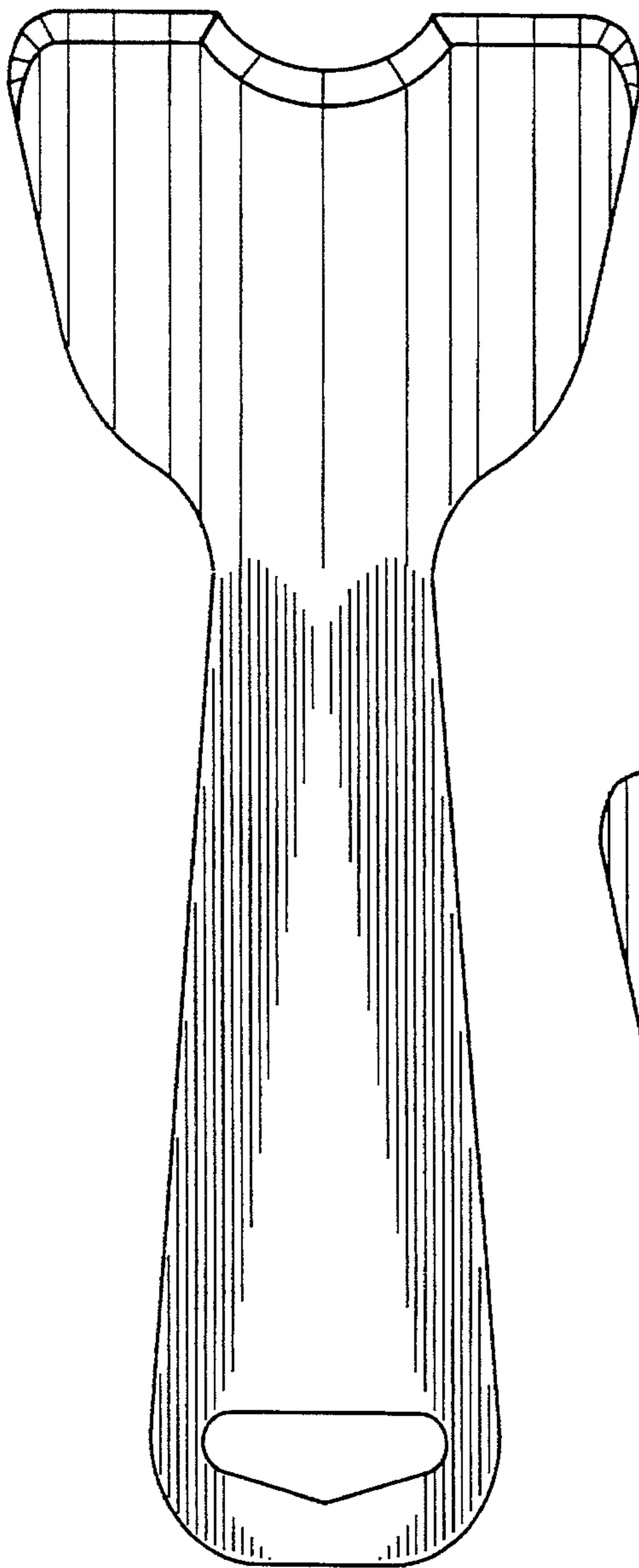


FIG. 3

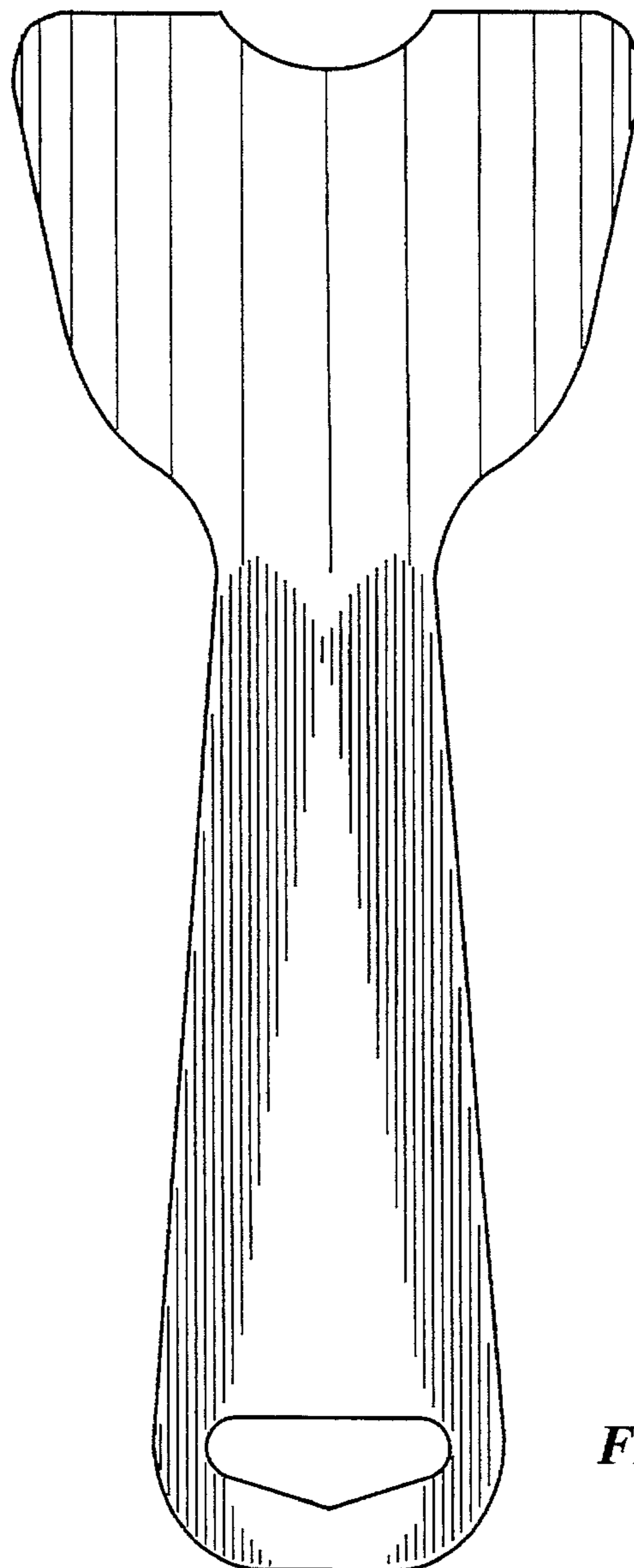


FIG. 4

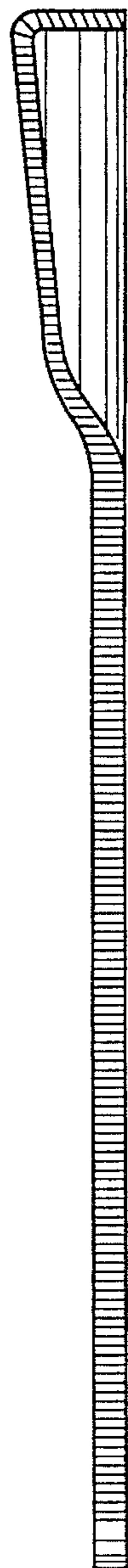


FIG. 5