



US00D364012S

United States Patent [19]

[11] Patent Number: **Des. 364,012**

Bothun et al.

[45] Date of Patent: ****Nov. 7, 1995**

[54] **FLOOR CLEANING MACHINE**

[75] Inventors: **Eugene L. Bothun**, Loveland; **Tim L. Mercer**, Westminster; **Alexander S. Johnson**, Golden; **Edward T. Biegel**, Parker, all of Colo.

[73] Assignee: **Windsor Industries, Inc.**, Englewood, Colo.

[**] Term: **14 Years**

[21] Appl. No.: **23,764**

[22] Filed: **Apr. 25, 1994**

[52] U.S. Cl. **D32/19**

[58] Field of Search D32/15-16, 21;
15/320-322, 353, 52.1, 49.1, 79.1-79.2,
340.1-340.4

[56] **References Cited**

U.S. PATENT DOCUMENTS

- D. 183,080 6/1958 Ashton D32/16
- D. 202,170 9/1965 Little et al. D32/16

- D. 206,576 1/1967 Knapp et al. D32/16
- D. 263,475 3/1982 Block D32/16
- D. 273,621 4/1984 Haub et al. D32/16
- 5,279,672 1/1994 Betker et al. 15/320
- 5,369,838 12/1994 Wood et al. 15/320
- 5,383,251 1/1995 Whitaker et al. 15/320

Primary Examiner—Ruth McInroy
Attorney, Agent, or Firm—Sheridan Ross & McIntosh

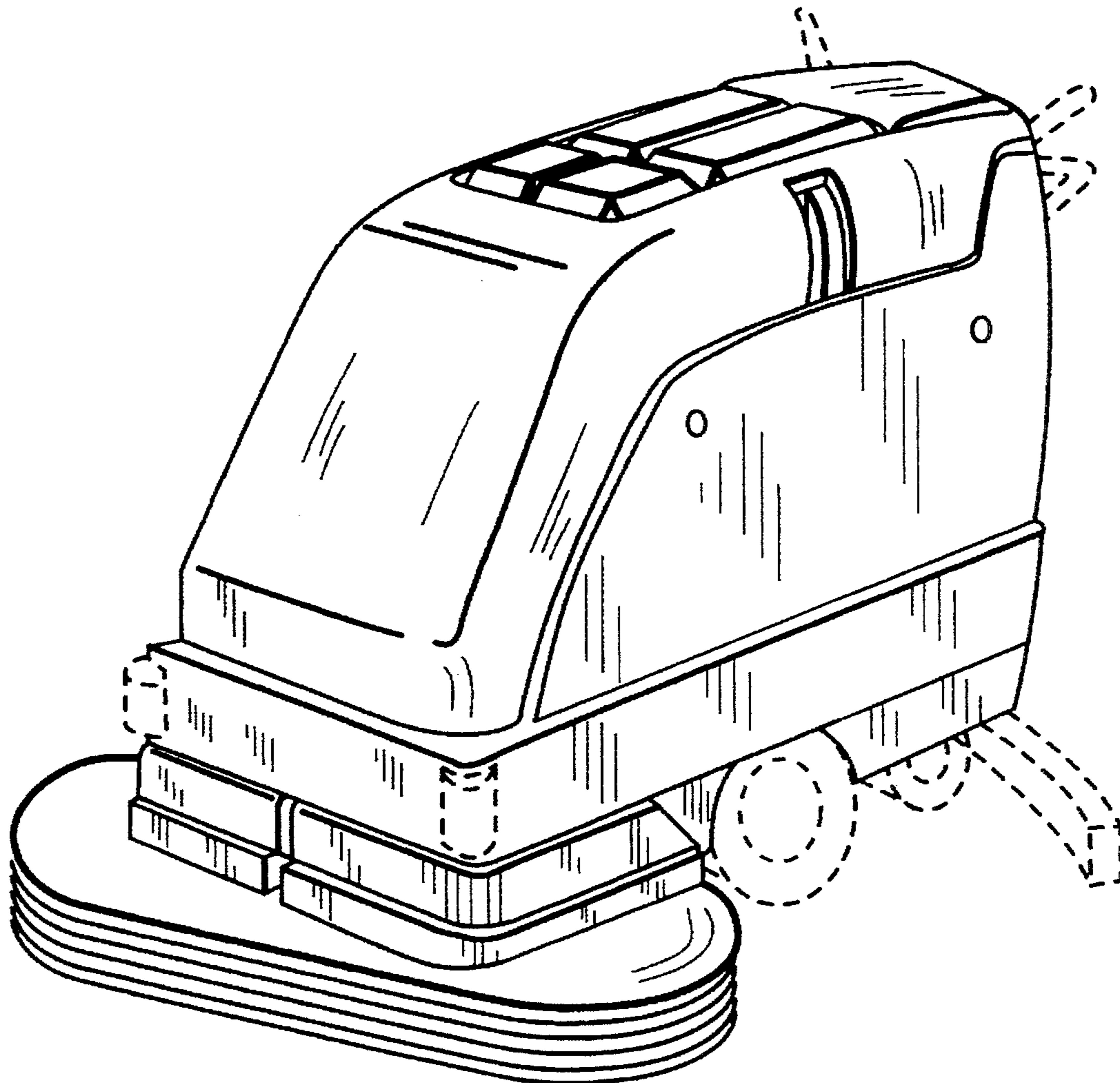
[57] **CLAIM**

The ornamental design for a floor cleaning machine, as shown and described.

DESCRIPTION

FIG. 1 is a front right side perspective view of a floor cleaning machine showing our new design; FIG. 2 is a left side elevational view thereof; FIG. 3 is a right side elevational view thereof; FIG. 4 is a top plan view thereof; FIG. 5 is a front elevational view thereof; and, FIG. 6 is a rear elevational view thereof.

1 Claim, 6 Drawing Sheets



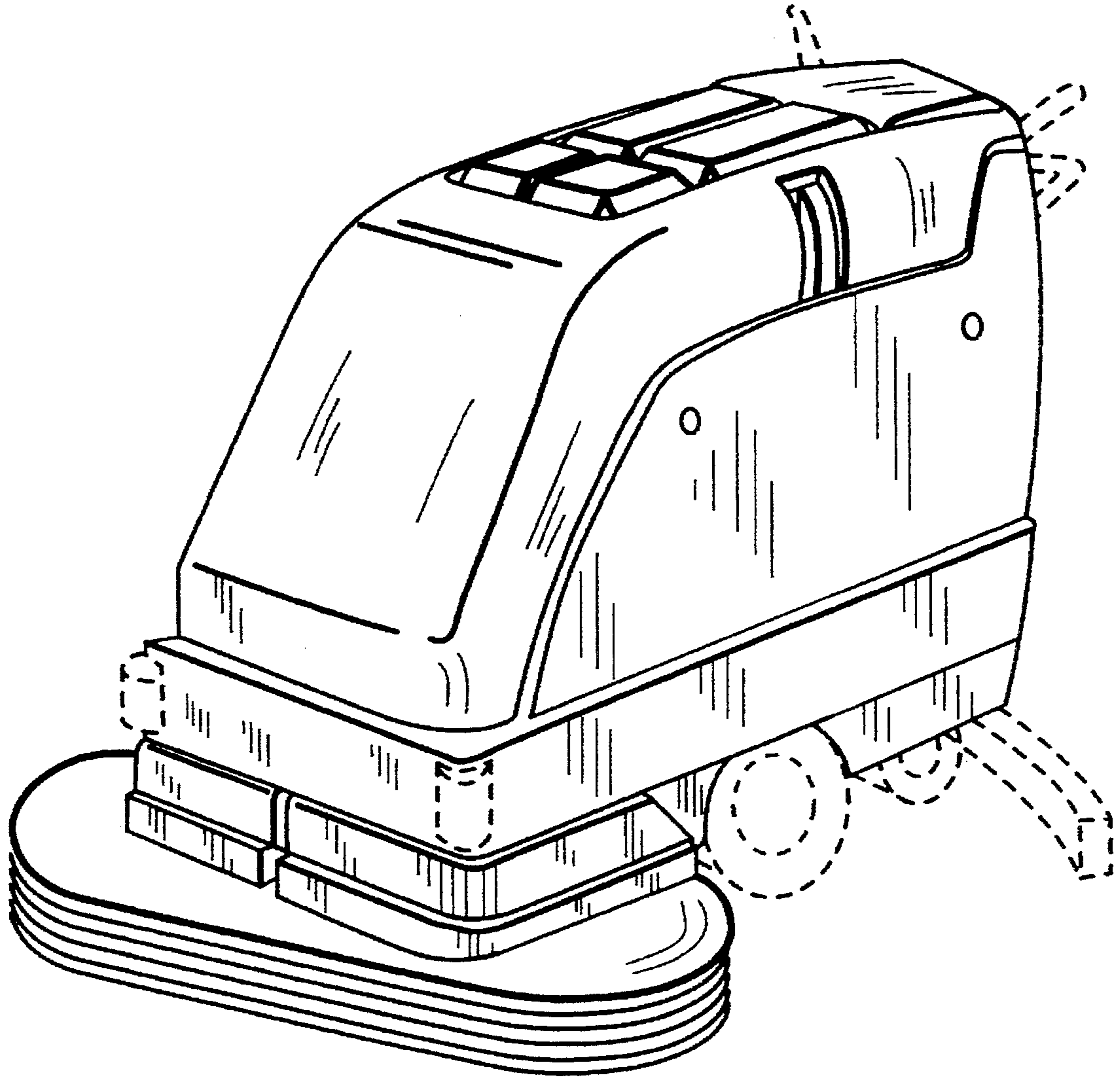


Fig. 1

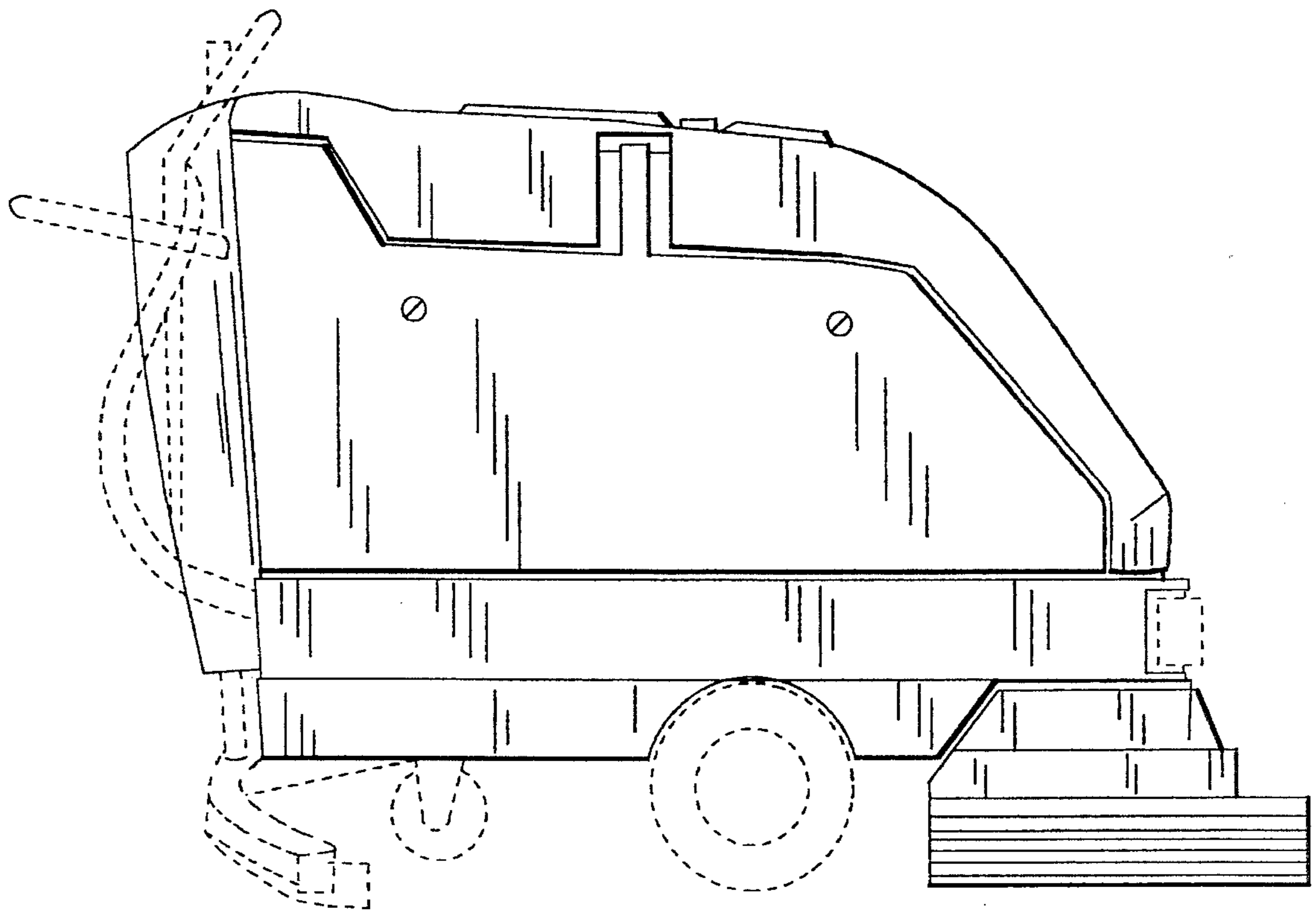


Fig. 2

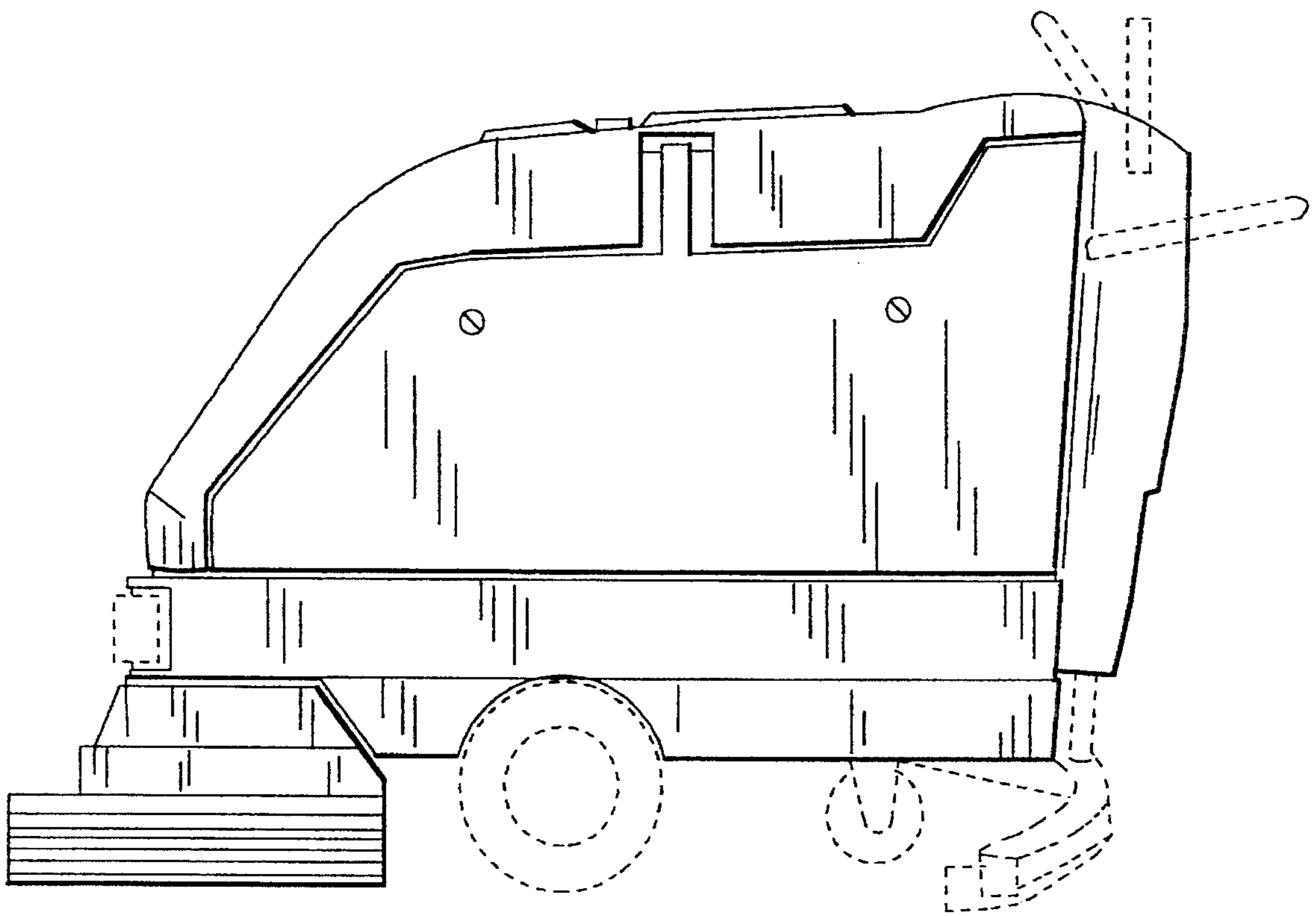


Fig. 3

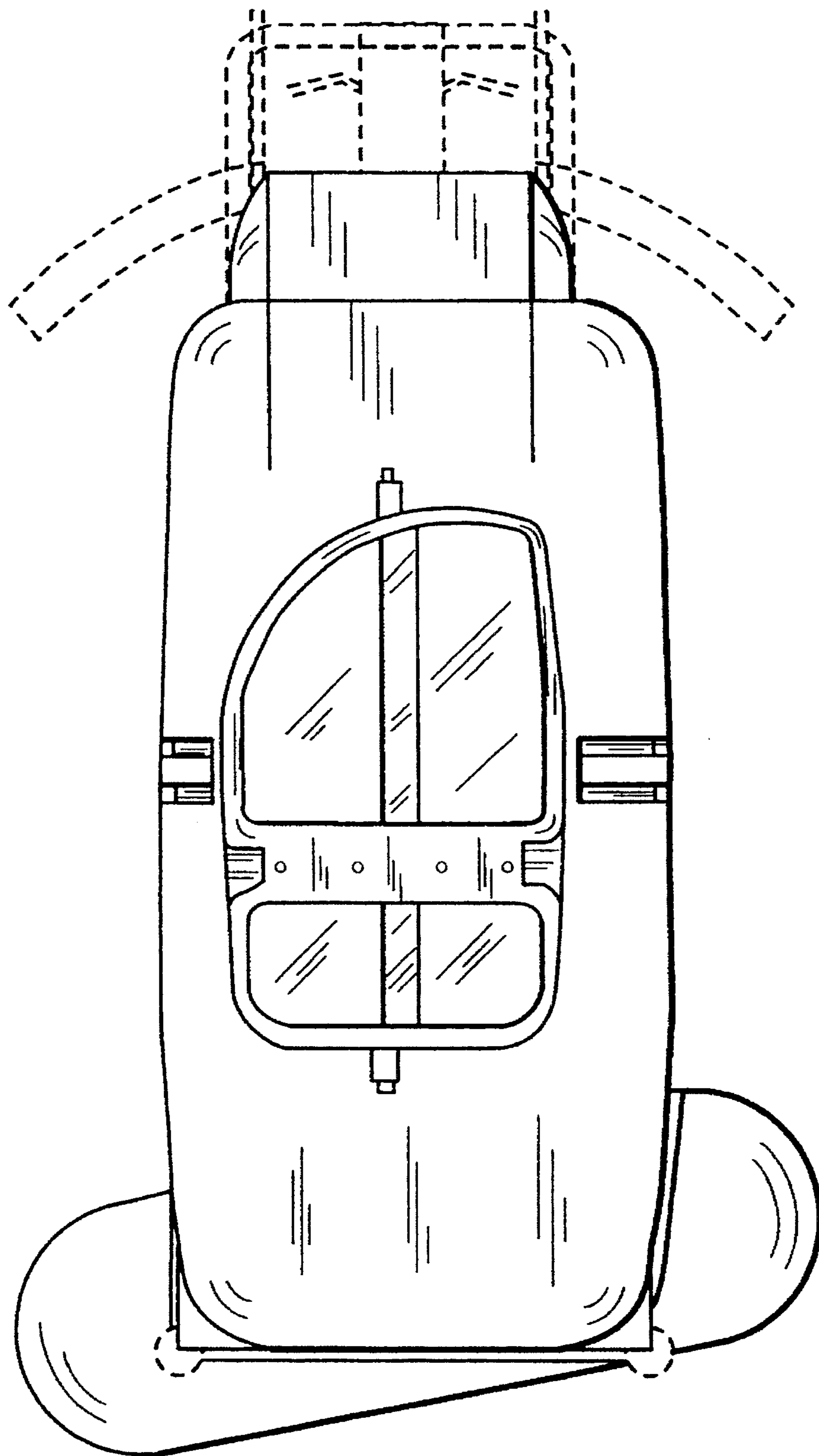


Fig. 4

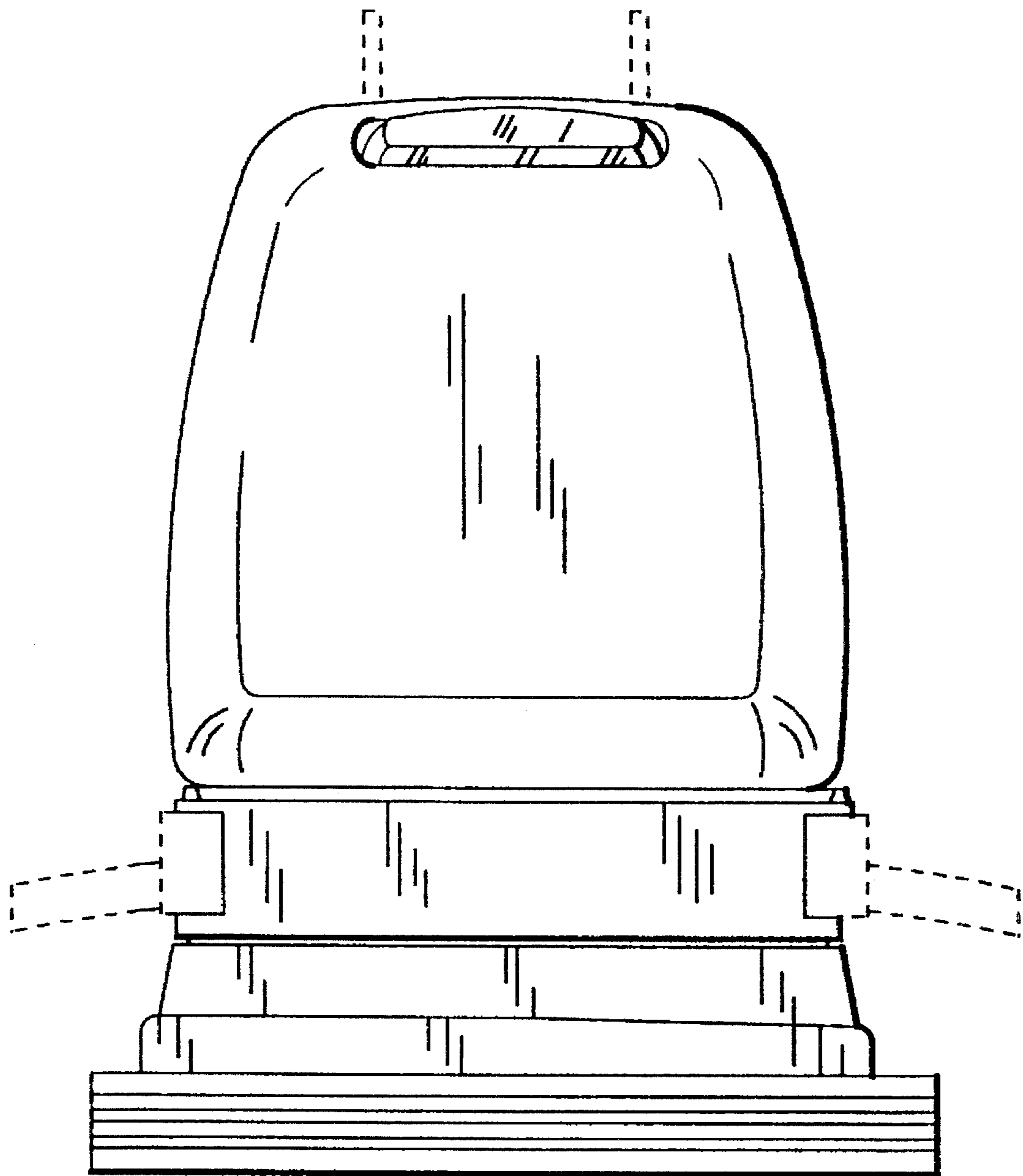


Fig. 5

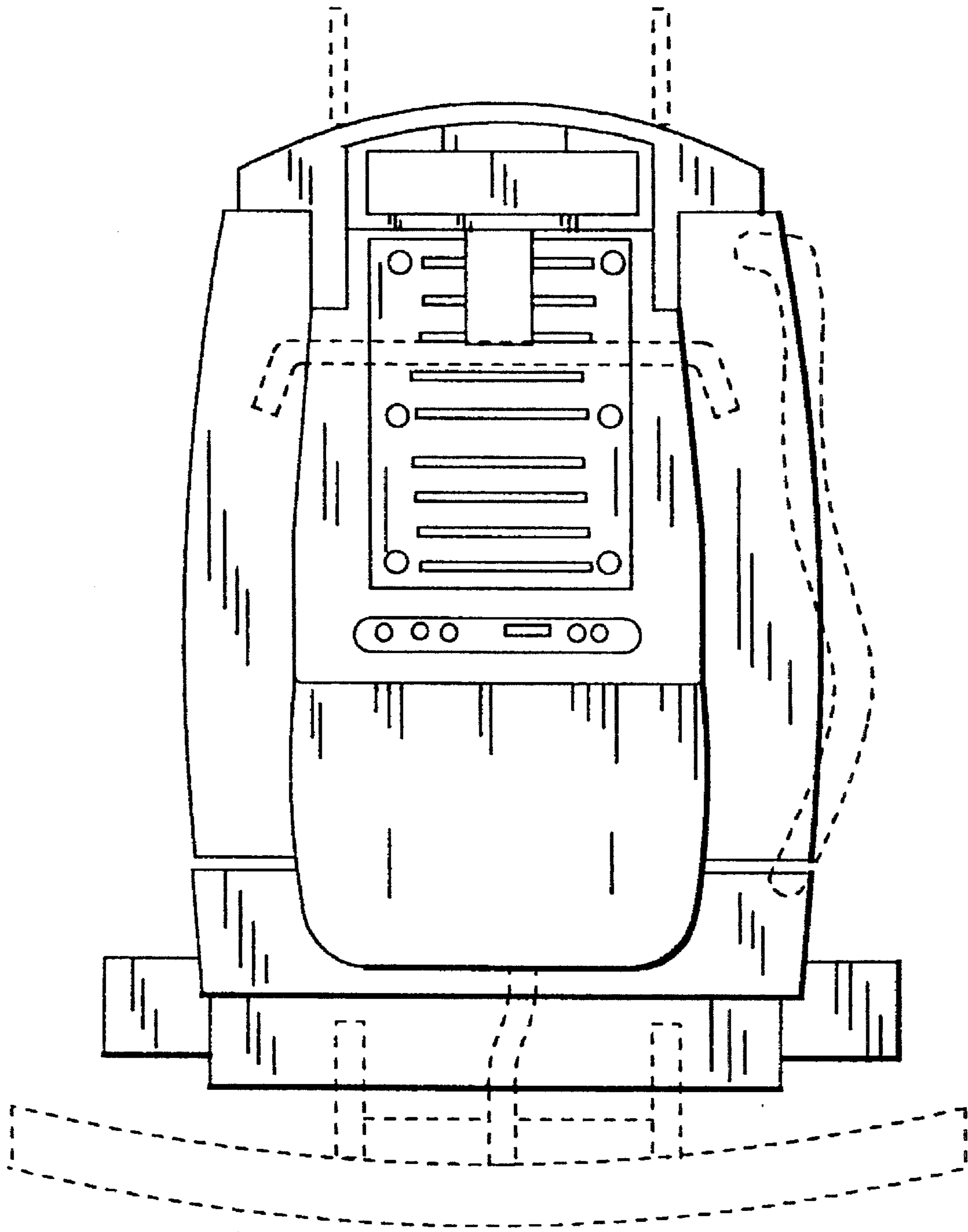


Fig. 6