



US00D364011S

United States Patent [19]

[11] Patent Number: **Des. 364,011**

Berg et al.

[45] Date of Patent: ****Nov. 7, 1995**

[54] **STOCK PROD**

[75] Inventors: **Jon A. Berg**, Owatonna; **Ronald H. Langlie**, Ellendale; **David F. Buelow**, Owatonna; **Larry E. Tiedemann**, Winona, all of Minn.

[73] Assignee: **North Central Plastics, Incorporated**, Ellendale, Minn.

[**] Term: **14 Years**

[21] Appl. No.: **22,324**

[22] Filed: **May 2, 1994**

[52] U.S. Cl. **D30/156**

[58] Field of Search 119/712, 908; D30/156; 231/7; D22/117; 273/84 R

[56] References Cited

U.S. PATENT DOCUMENTS

D. 175,158	7/1955	Darr	D30/156
D. 244,626	6/1977	Andrews	D30/156
D. 250,050	10/1978	Bros	D30/156
D. 255,139	5/1980	Smith	D30/156
D. 257,495	11/1980	Bros et al.	D30/156
D. 289,313	4/1987	Shy	D30/156
D. 318,149	7/1991	Young	D30/156
D. 329,510	9/1992	Lin	D30/156
377,420	2/1888	Bauder	119/83
427,549	5/1890	Burton	231/7
1,210,112	12/1916	Smith	231/7
2,176,994	10/1939	Hansen et al.	231/7
2,204,041	6/1940	Jefferson	231/7
2,253,315	8/1941	Andrus	231/7
2,304,065	12/1942	Wright	231/7
2,561,122	7/1951	Juergens	231/7
2,733,003	1/1956	Abildgaard et al.	231/7
2,981,465	4/1961	Bartel	231/7
3,119,554	1/1964	Fagan et al.	231/7
3,227,362	1/1966	Laten	231/7

3,362,711	1/1968	Larsen et al.	273/84 R
3,626,626	12/1971	Blanc	331/112
3,819,108	6/1974	Jordan	231/7
3,885,733	5/1975	Klebold et al.	331/112
3,917,268	11/1975	Tingey et al.	331/112
3,998,459	12/1976	Henderson et al.	273/84 R
4,367,843	1/1983	Bros et al.	273/84 ES
4,394,956	7/1983	Andrews et al.	273/84 ES
4,424,932	1/1984	Allen	273/84 ES
4,667,431	5/1987	Mendicino	361/232
4,968,034	11/1990	Hsieh	231/7

FOREIGN PATENT DOCUMENTS

450104	9/1927	Germany	119/712
0030252	7/1964	Germany	231/7
3305661	8/1984	Germany	119/908
476508	12/1953	Italy	231/7
43-25085	10/1968	Japan	
50-94184	8/1975	Japan	
212144	2/1941	Switzerland	231/7
141035	1/1961	U.S.S.R.	231/7
211208	8/1968	U.S.S.R.	
1168162	7/1985	U.S.S.R.	231/7

Primary Examiner—Cathy Anne MacCormac
Attorney, Agent, or Firm—Peterson, Wicks, Nemer & Kamrath

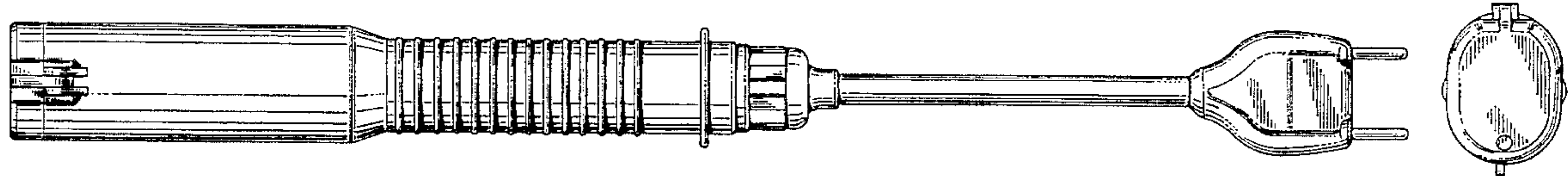
[57] CLAIM

The ornamental design for stock prod, as shown and described.

DESCRIPTION

FIG. 1 is a top plan of a stock prod embodying our new design;
FIG. 2 is a side elevation thereof with the opposite side elevation being a mirror image thereof;
FIG. 3 is a bottom plan thereof;
FIG. 4 is a front elevation thereof; and,
FIG. 5 is a rear elevation thereof.

1 Claim, 1 Drawing Sheet



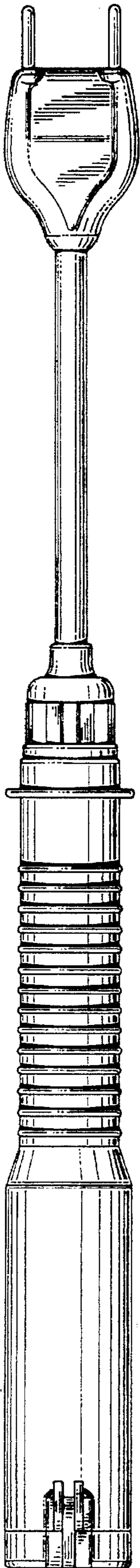


Fig 1

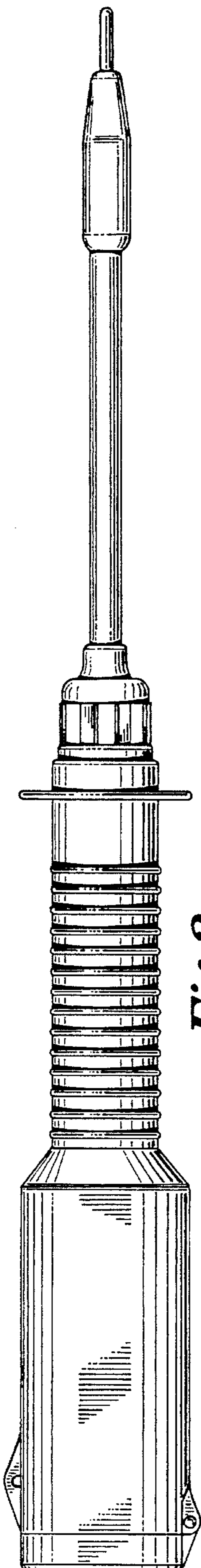


Fig 2

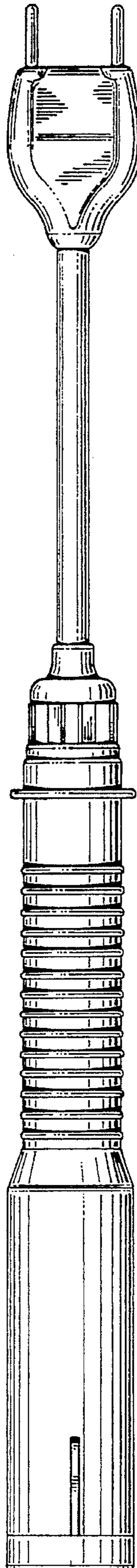


Fig 3

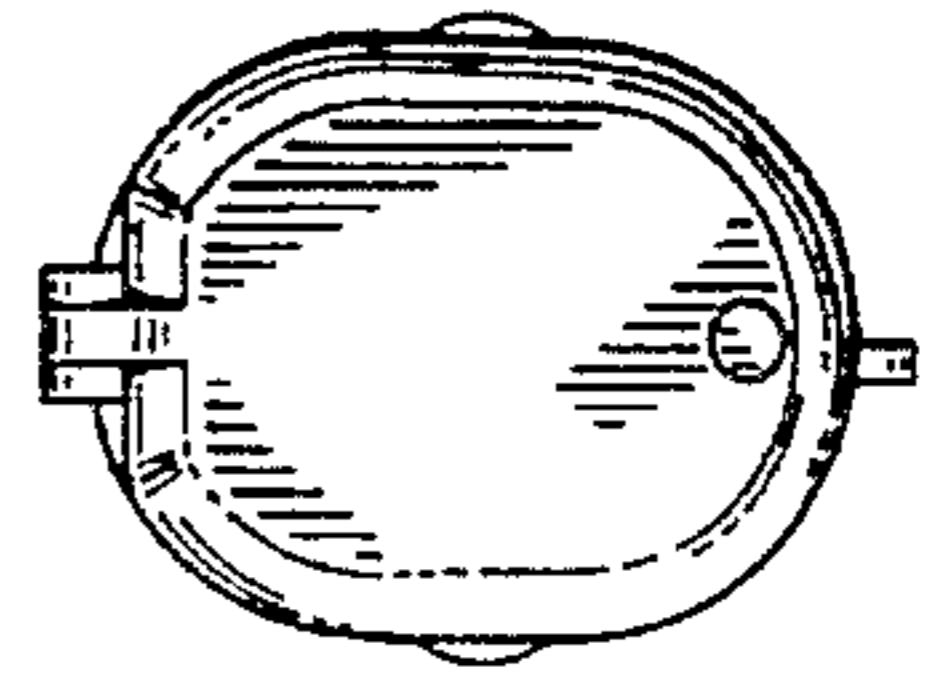


Fig 5

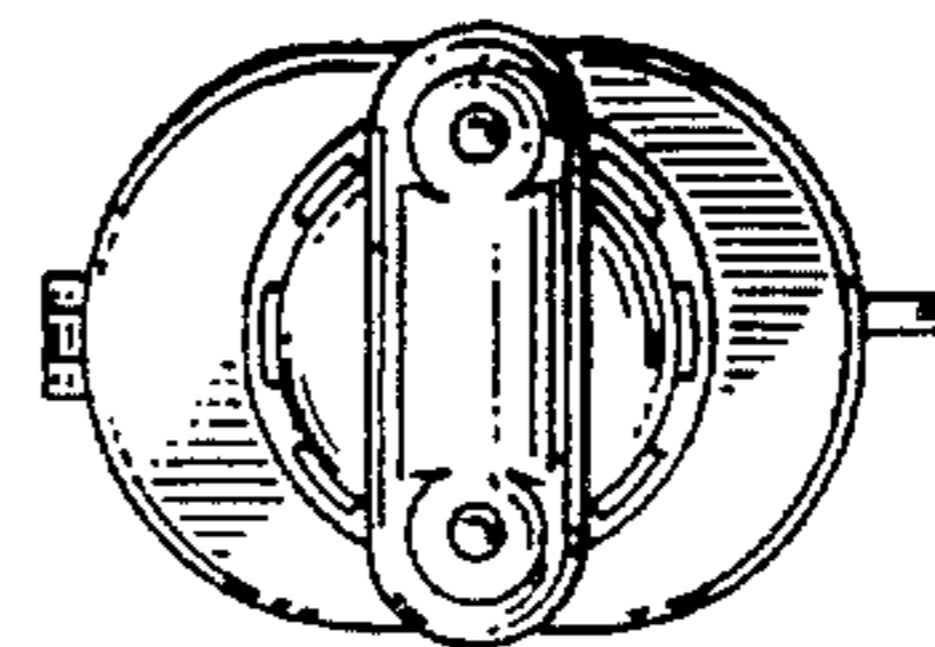


Fig 4