



US00D364010S

United States Patent [19]

[11] Patent Number: **Des. 364,010**

Wawzonek

[45] Date of Patent: ****Nov. 7, 1995**

[54] **BIRD FEEDER**

4,270,304 6/1981 Sofer 446/106
4,372,076 2/1983 Bick 446/106

[76] Inventor: **Stanley M. Wawzonek**, R.R. #1,
Jerseyville, Ontario, Canada, L0R 1R0

OTHER PUBLICATIONS

[**] Term: **14 Years**

Popular Mechanics; May 1950; p. 173; Bird Cafe.
Alsto's handy helpers catalog; p. 46; Giant Superfeeder.
Alsto's handy helpers catalog; p. 2; Log Cabin Bird House.
Field & Stream Mag., Dec. 1990; p. 37; Log Cabin.
The Alsto Company handy helpers Catalog; p. 29; Red
Cedar Log Cabin-Style Dog House.

[21] Appl. No.: **19,994**

[22] Filed: **Mar. 16, 1994**

[30] Foreign Application Priority Data

Sep. 22, 1993 [CA] Canada 22-09-93-1

[52] U.S. Cl. **D30/125; D20/110**

[58] Field of Search D30/110-111,
D30/124-128, 108, 109; 119/23, 57.8, 57.9,
52.2-52.3, 51.01, 51.04, 77, 57.91; D25/7;
D21/109, 118; 446/106

Primary Examiner—Cathy Anne MacCormac
Attorney, Agent, or Firm—Rogers & Scott

[57] CLAIM

The ornamental design for a bird feeder, as shown.

DESCRIPTION

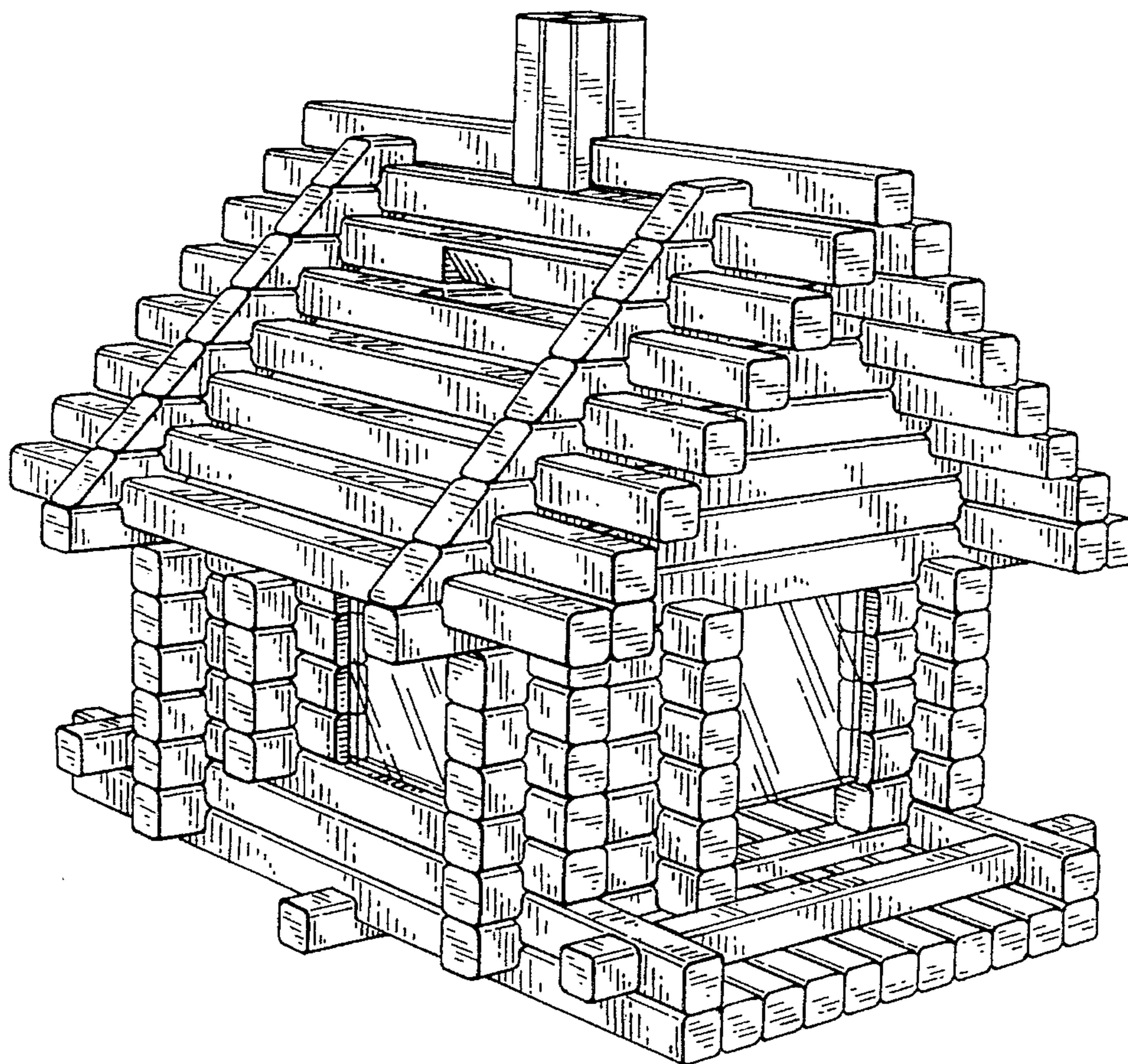
[56] References Cited

U.S. PATENT DOCUMENTS

D. 245,114	7/1977	Vaughn	D30/126
D. 298,974	12/1988	Granger	D30/125
D. 347,599	6/1994	Johnson et al.	D25/7
1,510,326	9/1924	Locke	D30/108
1,710,947	4/1929	Payne	119/23
2,669,060	2/1954	Kalvig	D30/108
2,680,327	6/1954	Harper	D30/110
2,946,150	7/1960	Hauk	D30/108
3,295,498	1/1967	Brown	119/23

FIG. 1 is a perspective view taken from the front, top and one side of a bird feeder showing my new design;
FIG. 2 is a perspective view taken from the rear, and opposite side thereof;
FIG. 3 is a side elevational view thereof, the opposite side being a mirror image of the side shown;
FIG. 4 is a front elevational view thereof, the rear being a mirror image except for the aperture in the roof; and,
FIG. 5 is a top plan view thereof.

1 Claim, 5 Drawing Sheets



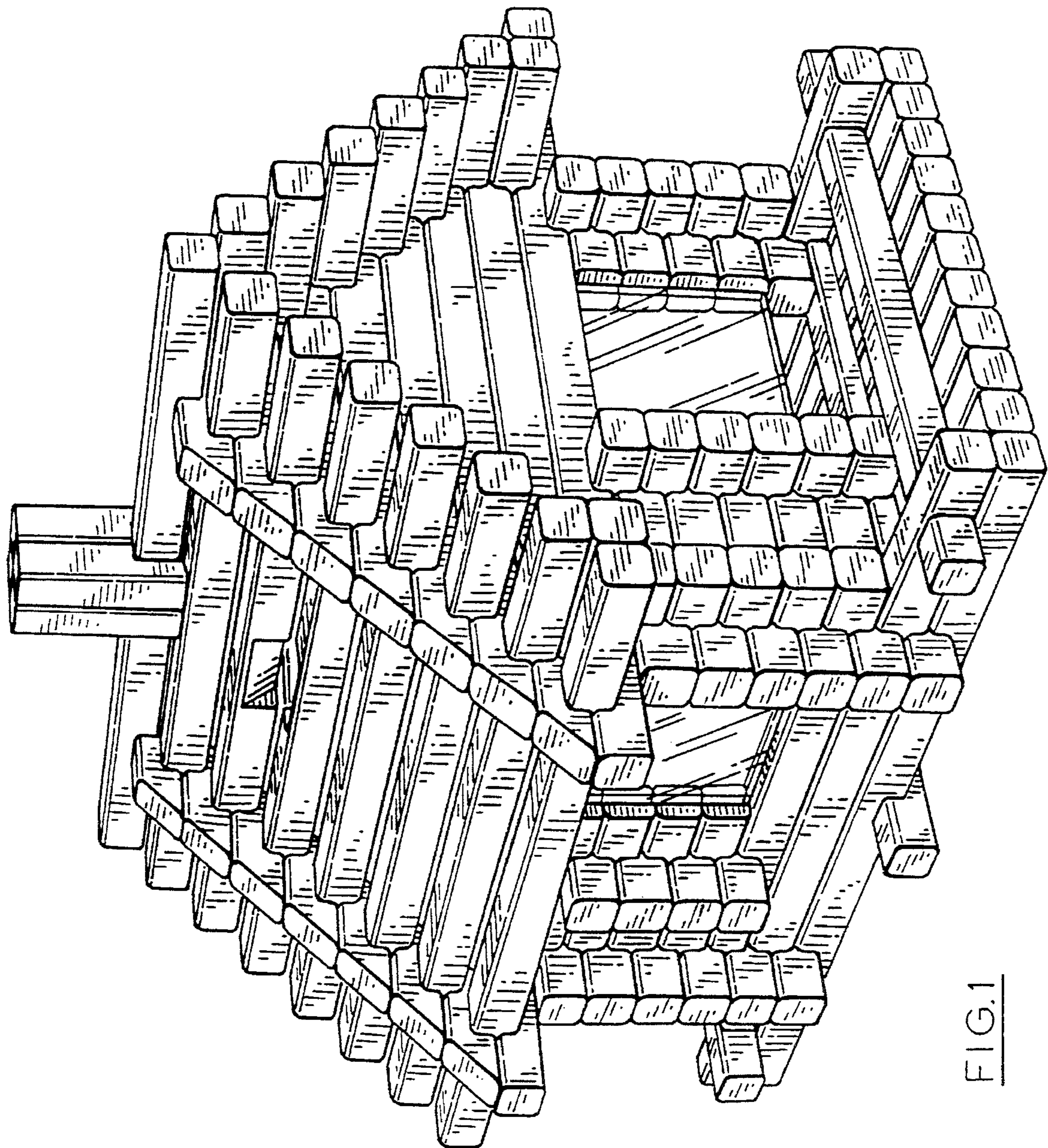


FIG. 1

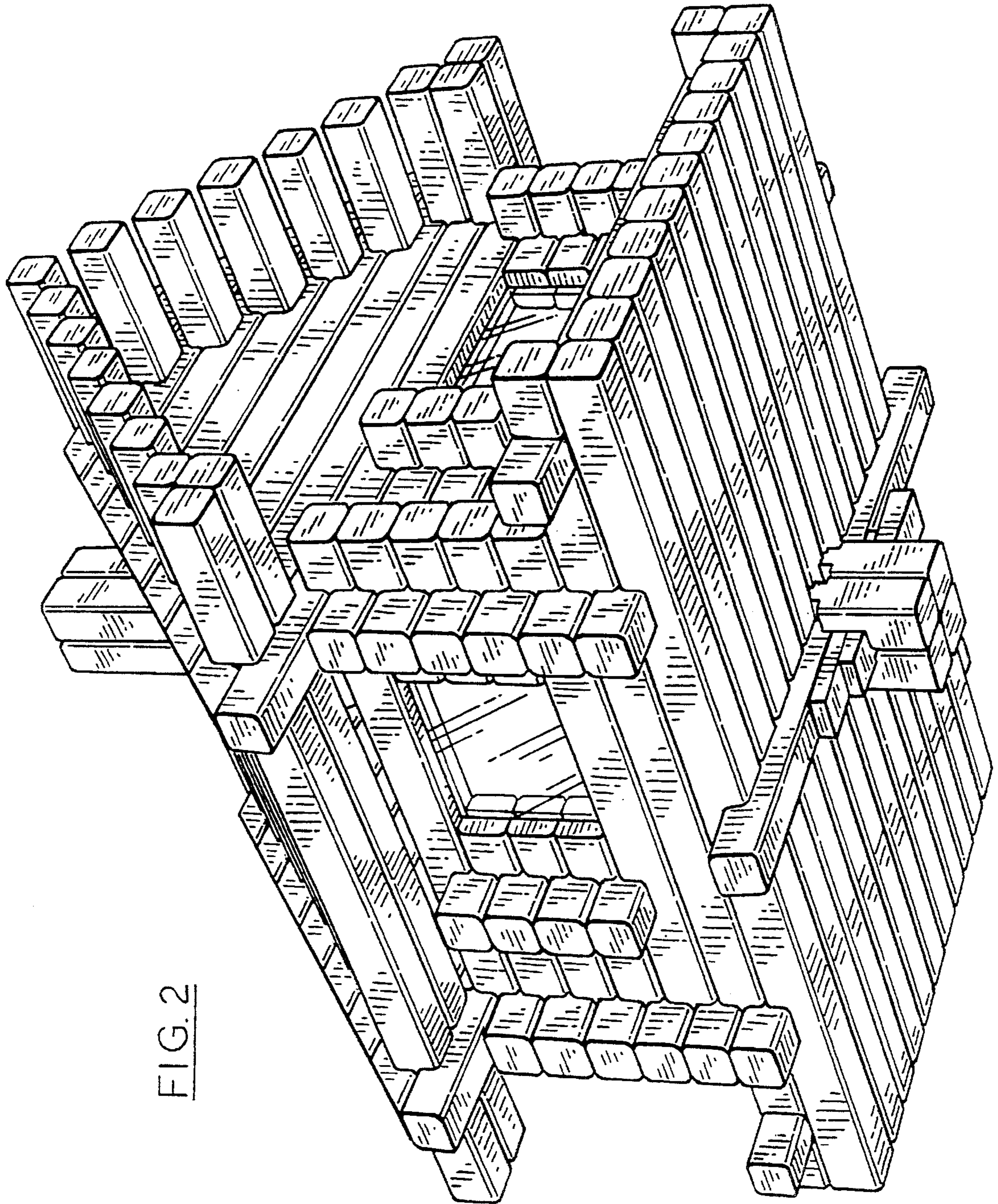


FIG. 2

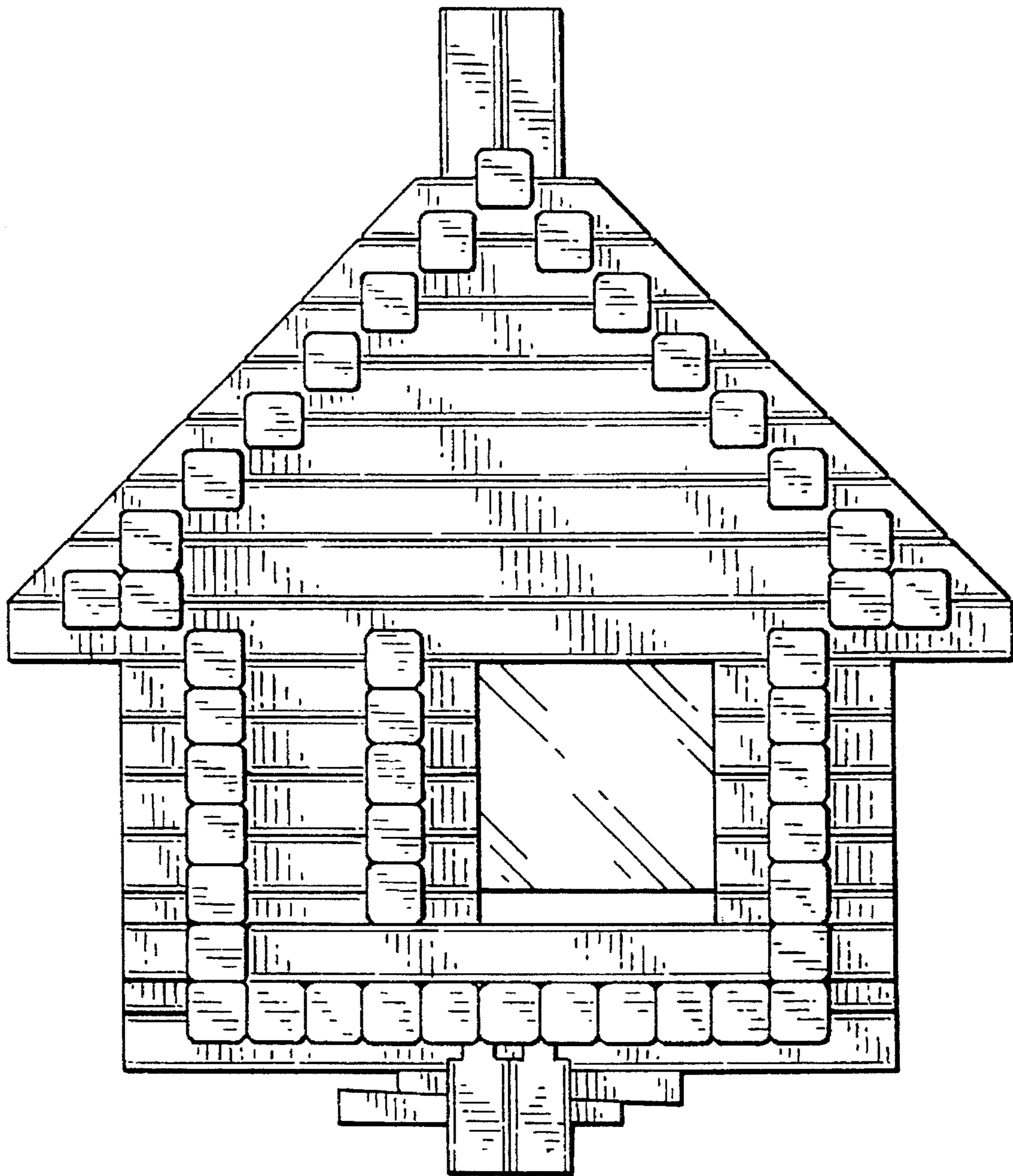


FIG. 3

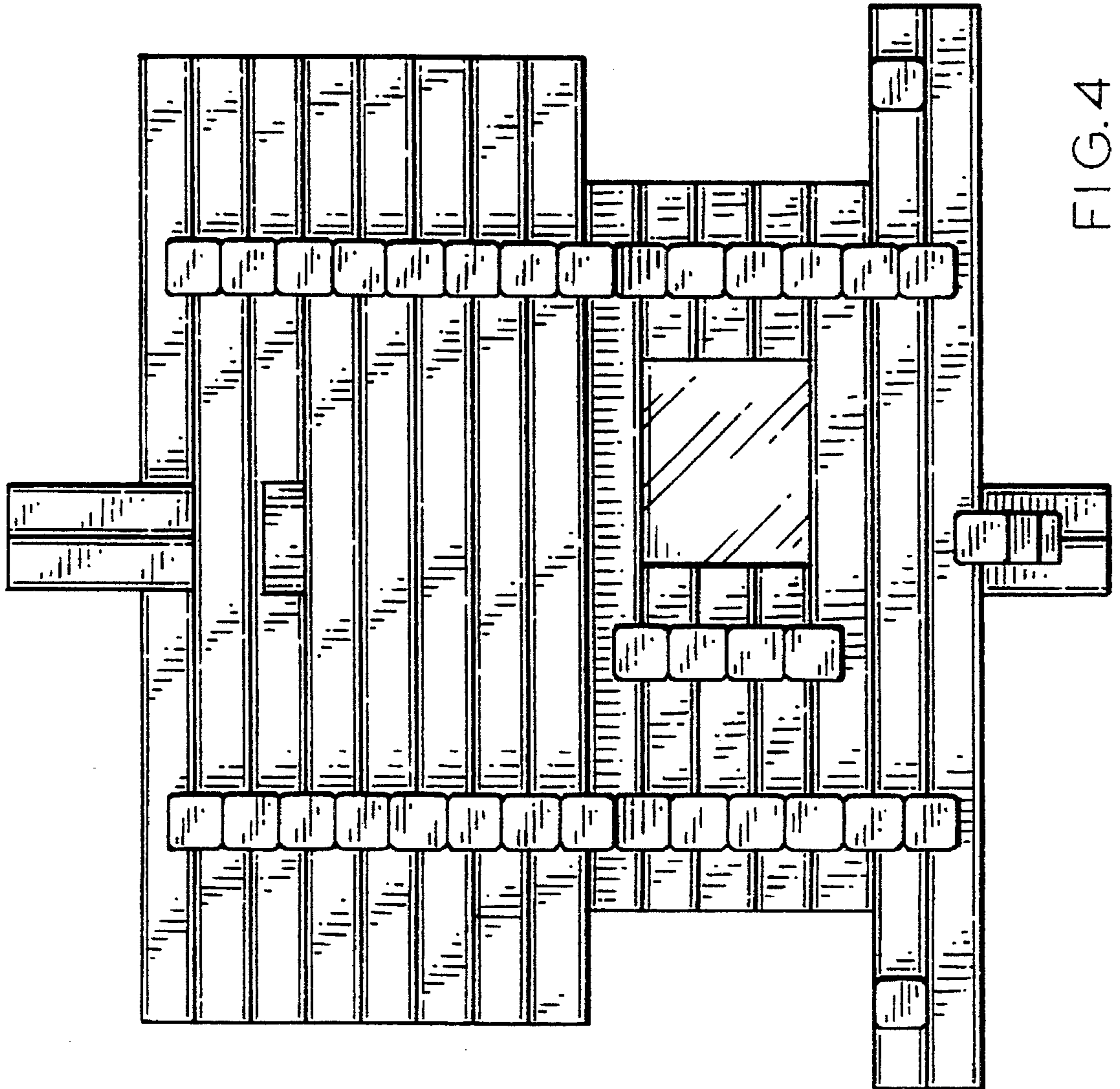


FIG. 4

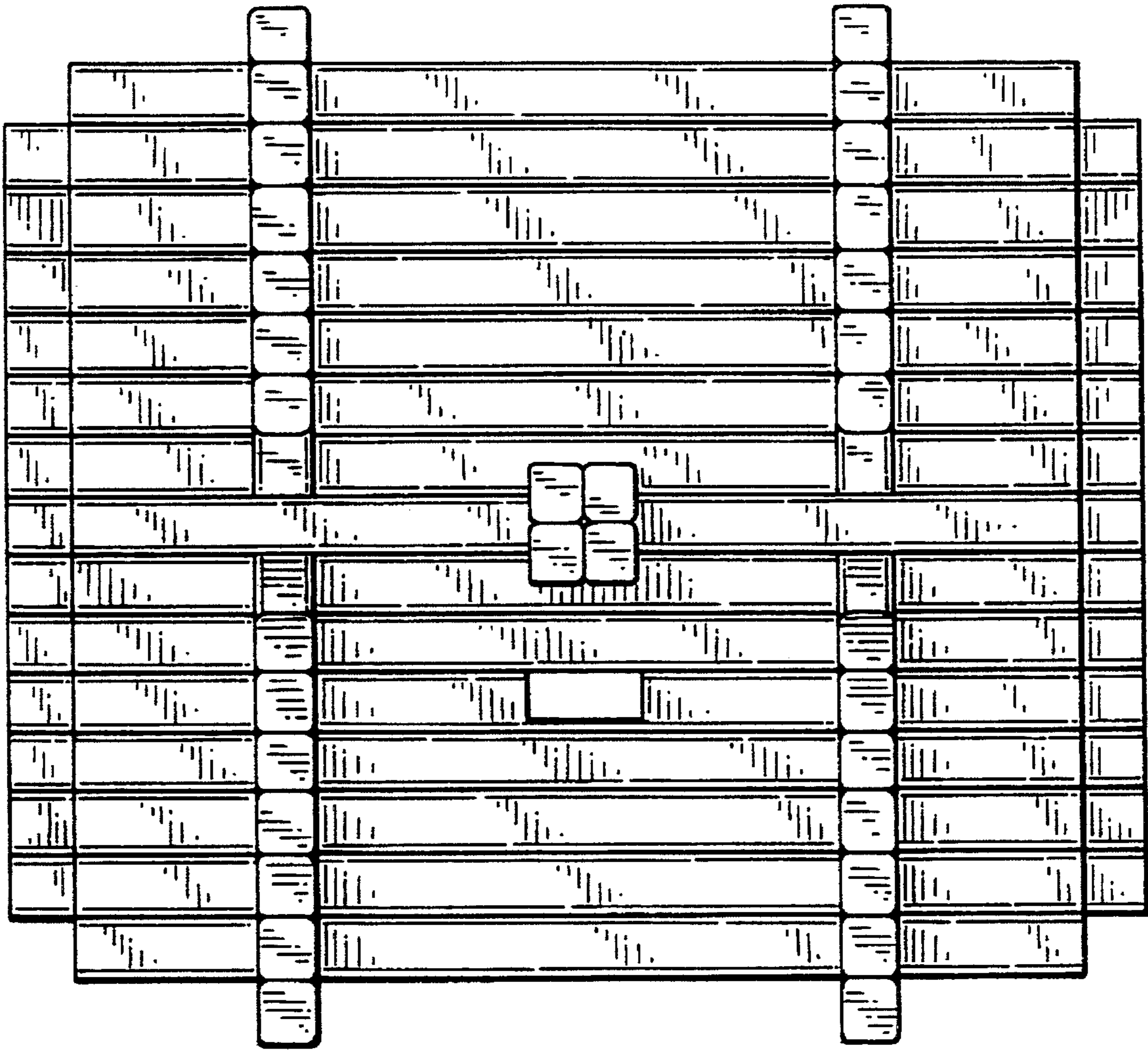


FIG. 5