



US00D364008S

# United States Patent [19] Florio

[11] **Patent Number:** **Des. 364,008**

[45] **Date of Patent:** **\*\*Nov. 7, 1995**

[54] **ARM COVER**

4,796,611 1/1989 Wardlaw .  
4,808,141 2/1989 Runge .

[76] Inventor: **Louis E. Florio**, 173 Holbrook Rd.,  
Holbrook, N.Y. 11741

### OTHER PUBLICATIONS

[\*\*] Term: **14 Years**

Accessories, p. 63, Aug. 1986.  
The One Book p. 139, 1990.  
The Bear Necessities, 1984.

[21] Appl. No.: **18,826**

*Primary Examiner*—Ruth McInroy  
*Attorney, Agent, or Firm*—Terry M. Gernstein

[22] Filed: **Feb. 16, 1994**

[52] U.S. Cl. .... **D29/120**

[58] Field of Search ..... D29/100, 113,  
D29/120-122; D24/189, 190, 192; 2/16,  
20, 22-24, 62; D6/601, 595

### [57] CLAIM

The ornamental design for an arm cover, as shown and described.

### [56] References Cited

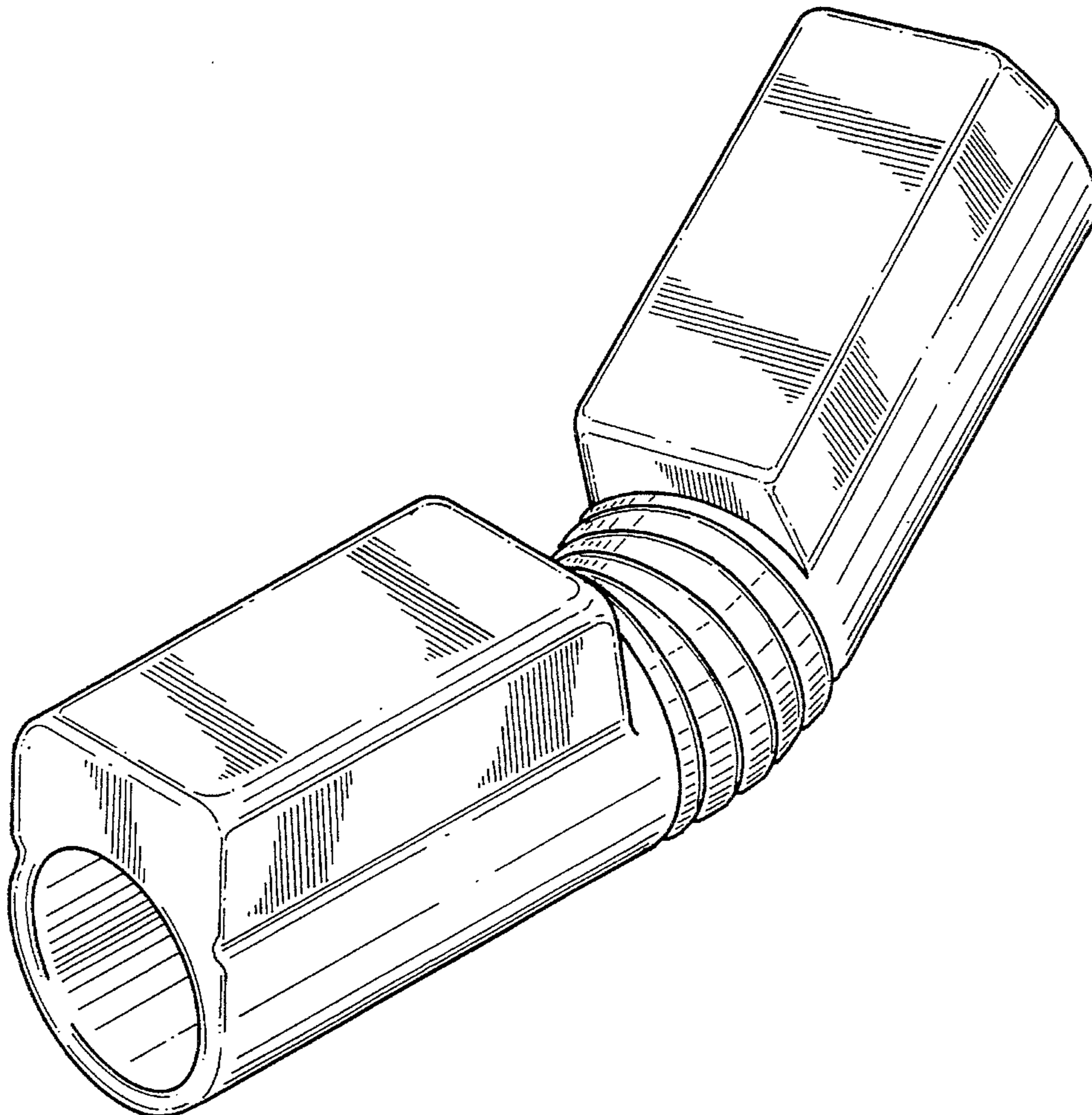
### DESCRIPTION

#### U.S. PATENT DOCUMENTS

D. 256,176	8/1980	Rule	.....	D29/121
D. 267,428	12/1982	Christensen et al.	.....	D24/189
D. 282,409	2/1986	Dryzal	.....	D29/120
D. 300,676	4/1989	Pierce, Jr.	.....	D29/120
D. 300,984	5/1989	Carter et al.	.....	D29/120
D. 316,915	5/1991	Dryzal	.....	D29/120
2,640,989	6/1953	Woodward	.....	D29/120
3,189,073	6/1965	Todd	.....	
3,411,222	11/1968	Williams	.....	D29/121
4,062,073	12/1977	Rhee	.....	

FIG. 1 is a front, top and side perspective view of an arm cover showing my new design;  
FIG. 2 is a front elevational view thereof;  
FIG. 3 is a rear elevational view thereof;  
FIG. 4 is a side elevational view thereof, the side opposite being a mirror image of the side shown in FIG. 4;  
FIG. 5 is a top plan view thereof; and,  
FIG. 6 is a bottom plan view thereof.

**1 Claim, 3 Drawing Sheets**



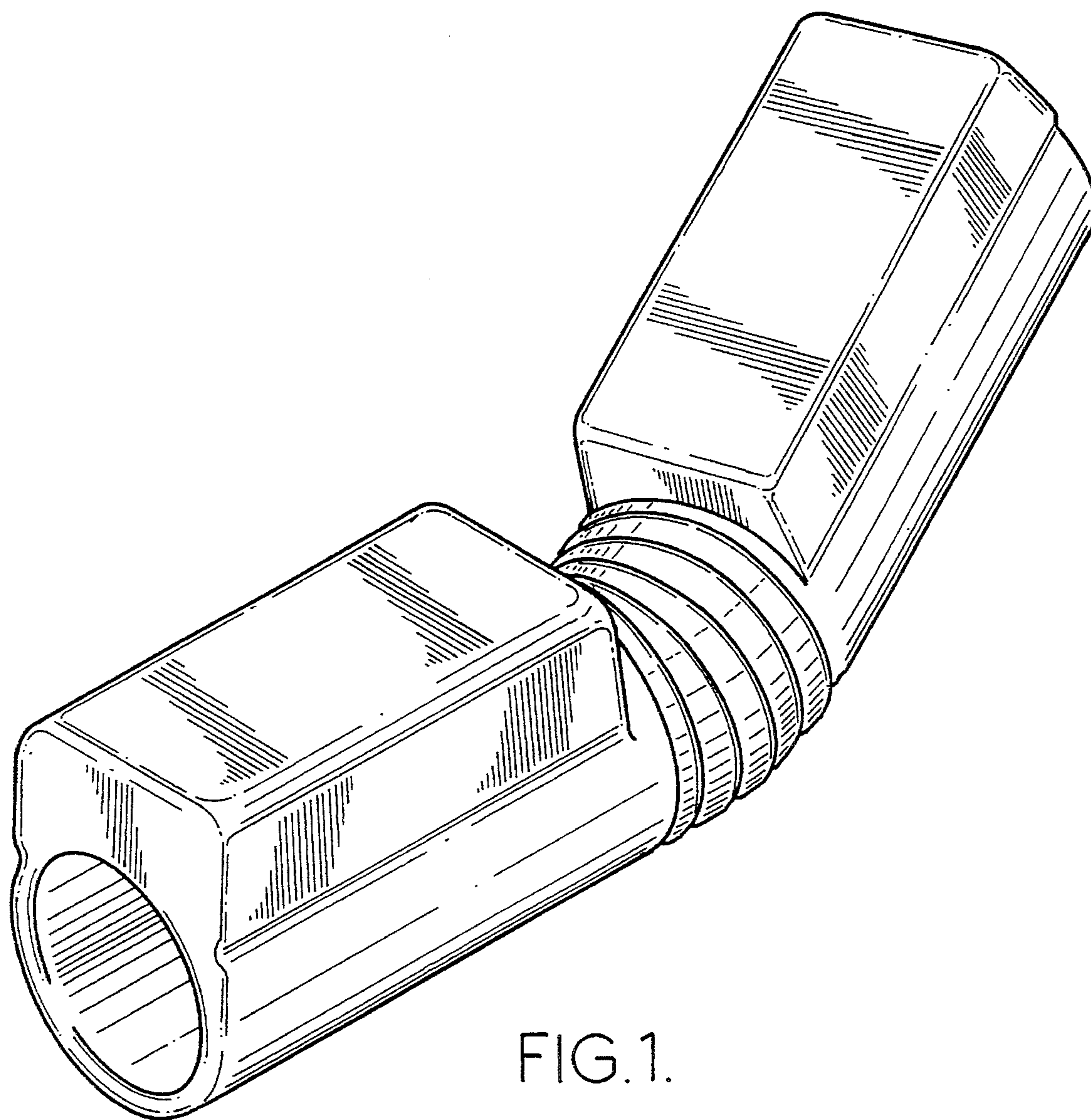


FIG. 1.

FIG. 2.

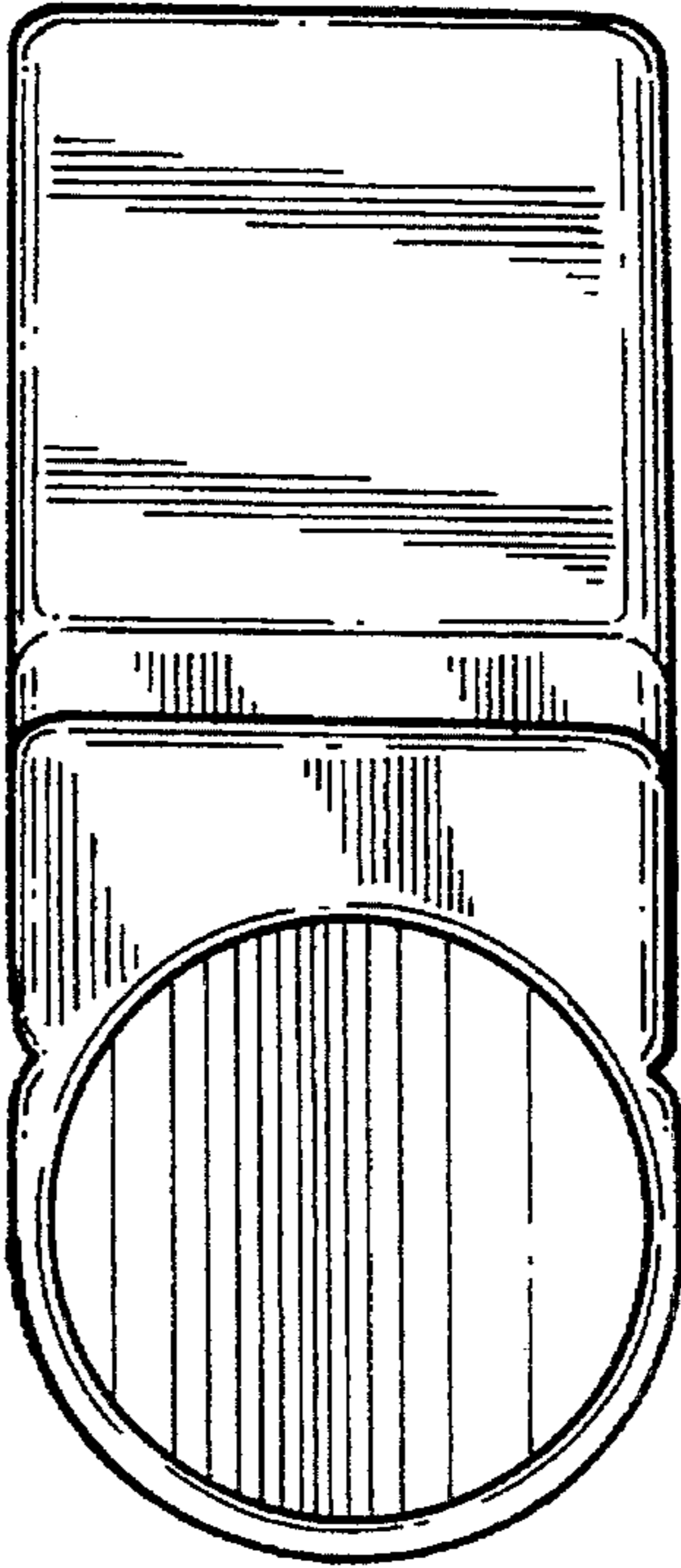


FIG. 3.

