



US00D364002S

United States Patent [19] von Kluck

[11] Patent Number: **Des. 364,002**

[45] Date of Patent: ****Nov. 7, 1995**

[54] LAMP

[75] Inventor: **Kevin von Kluck**, Hudson, Ohio

[73] Assignee: **The L. D. Kichler Co.**, Cleveland, Ohio

[**] Term: **14 Years**

[21] Appl. No.: **10,448**

[22] Filed: **Jul. 7, 1993**

[52] U.S. Cl. **D26/88; D26/110**

[58] Field of Search **D26/72, 80-96, D26/102-112; 362/147, 404, 405, 406, 407, 408, 351, 355, 363, 410-414, 431**

[56] **References Cited**

U.S. PATENT DOCUMENTS

D. 77,350 1/1929 Blumenfeld D26/105

FOREIGN PATENT DOCUMENTS

67807 6/1940 Czechoslovakia 362/410

OTHER PUBLICATIONS

Home Lighting & Accessories, Oct. 1991, p. 60, Marvel Chandelier.

The American Glass Light Co. Catalog, ©1987, p. 1, Victoria Upright Chandelier.

Progressive Architecture, Mar. 1988, p. 8 LW, Floor Lamp.

Primary Examiner—Susan J. Lucas
Attorney, Agent, or Firm—Watts, Hoffmann, Fisher & Heinke

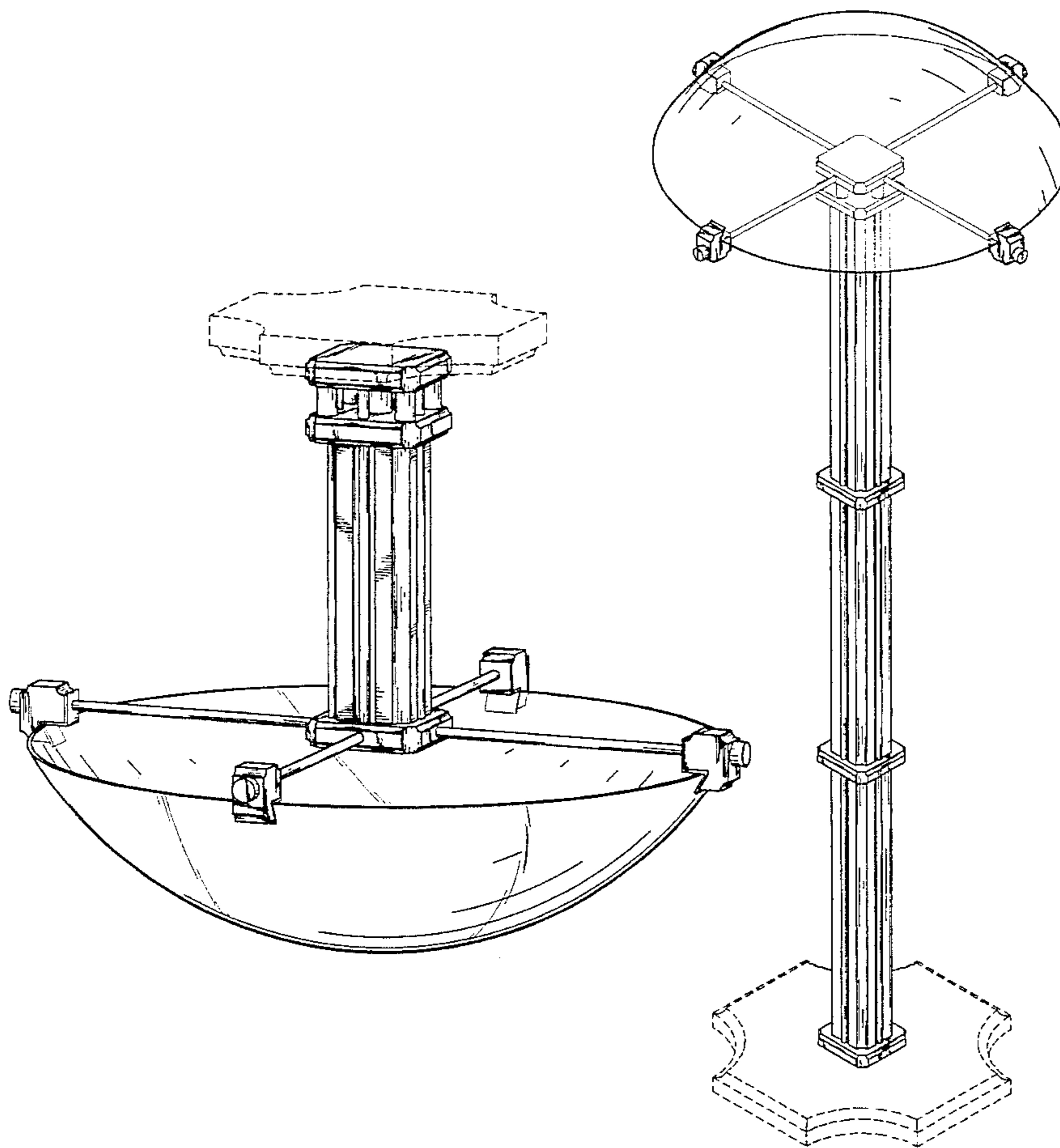
[57] **CLAIM**

The ornamental design for a lamp, as shown and described.

DESCRIPTION

FIG. 1 is a perspective view of a lamp showing my new design as embodied in a ceiling lamp;
FIG. 2 is a front elevational view thereof, the rear and side elevational views being identical;
FIG. 3 is a top plan view thereof;
FIG. 4 is a bottom plan view thereof;
FIG. 5 is a sectional view as seen approximately from the plane indicated by the line 5—5 in FIG. 2;
FIG. 6 is a perspective view of a second embodiment of my new design as embodied in a floor lamp;
FIG. 7 is a front elevational view thereof the rear and side elevational views being identical;
FIG. 8 is a top plan view thereof; and,
FIG. 9 is a bottom plan view thereof.
The ceiling plate and the base are shown in broken lines for illustrative purposes only and form no part of the claimed design.

1 Claim, 6 Drawing Sheets



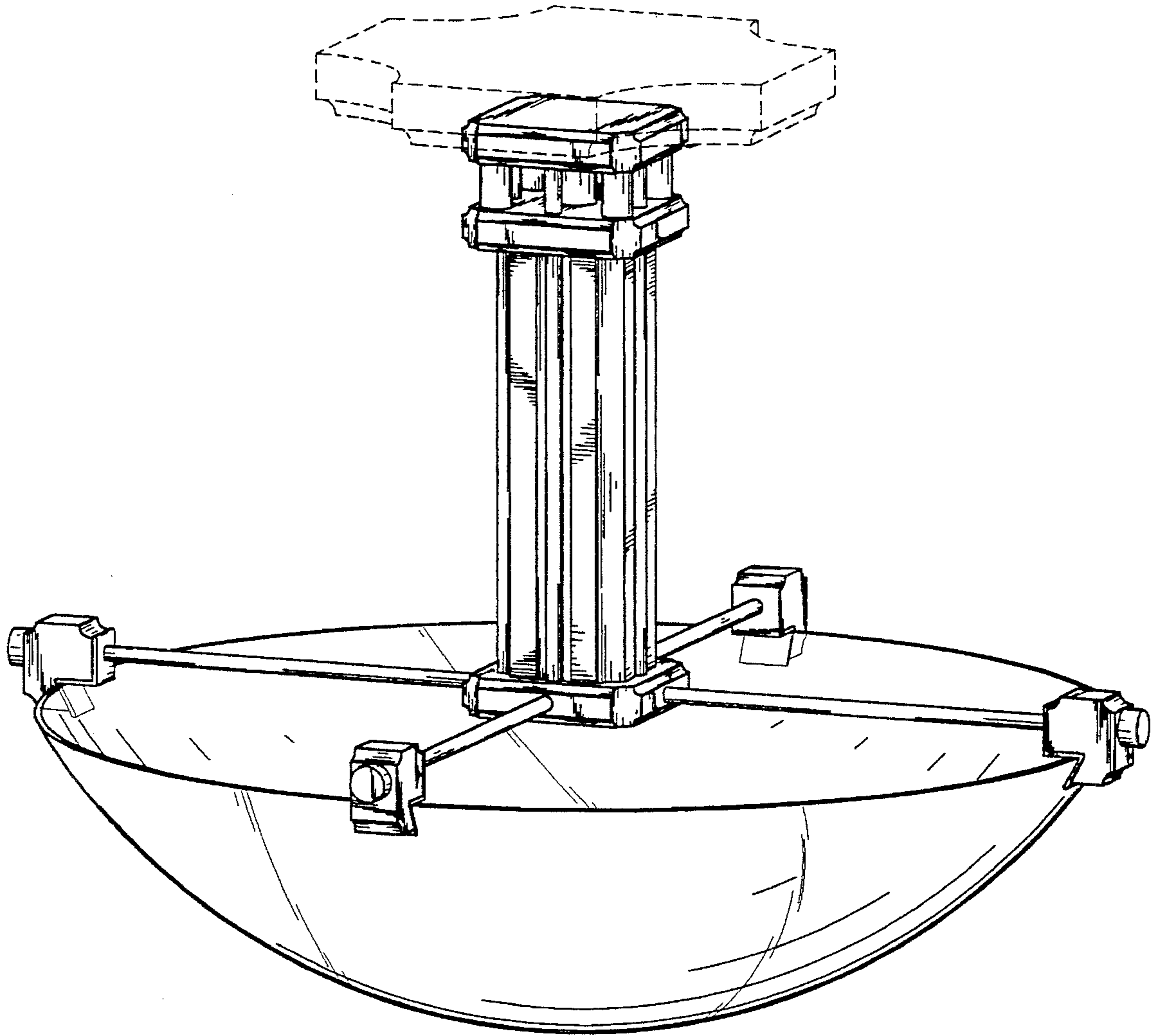


Fig.1

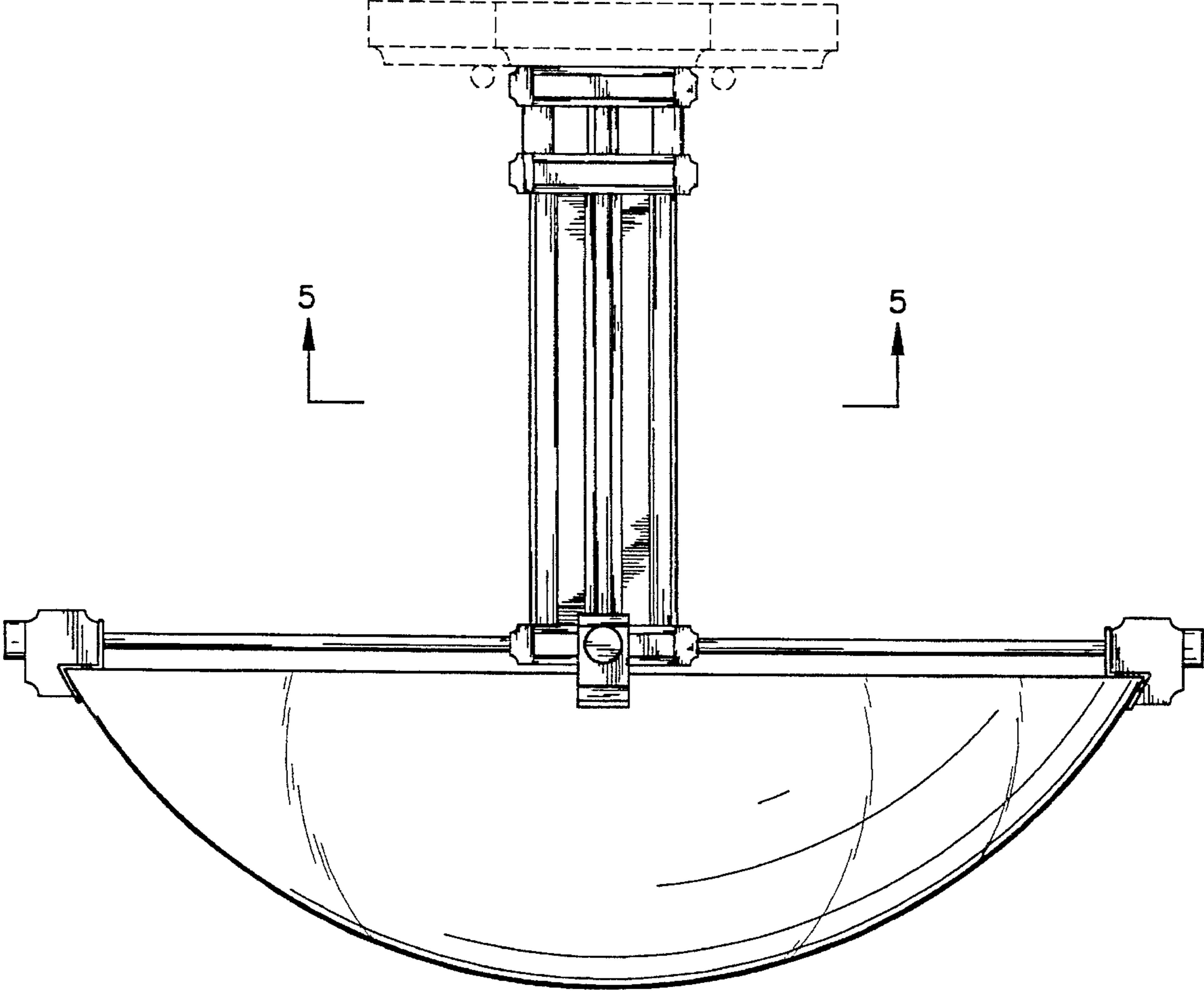


Fig.2

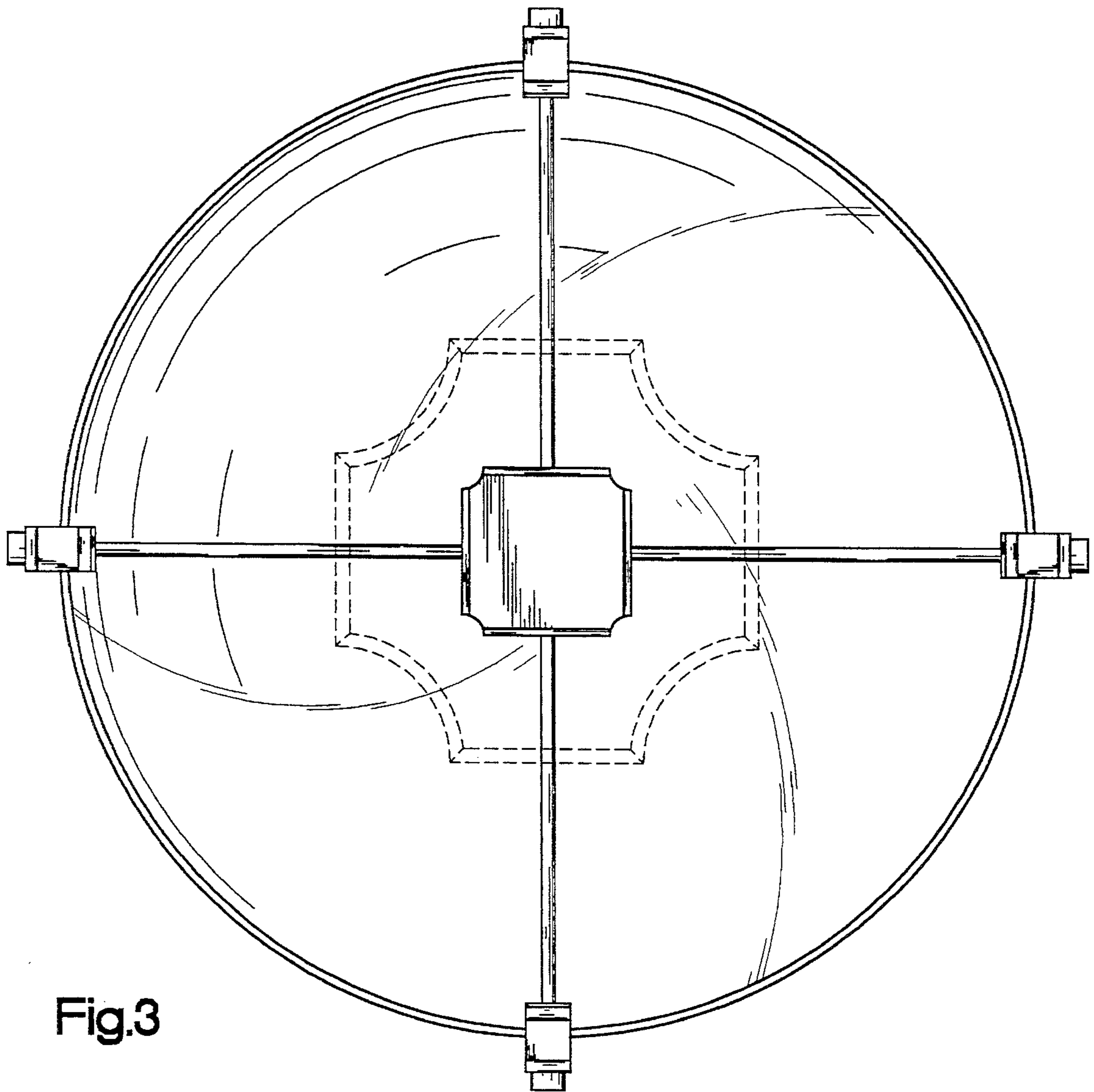


Fig.3

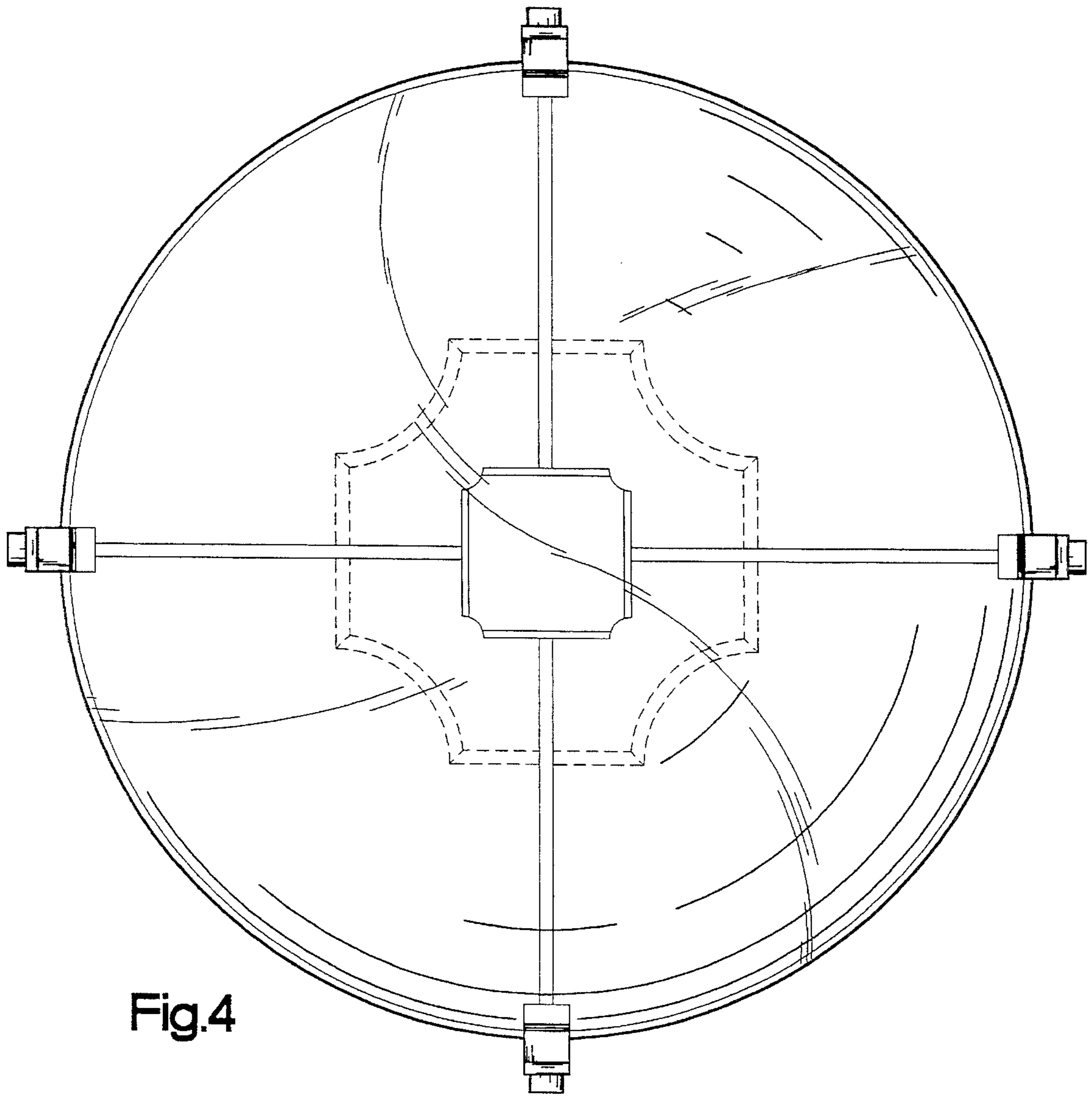


Fig.4

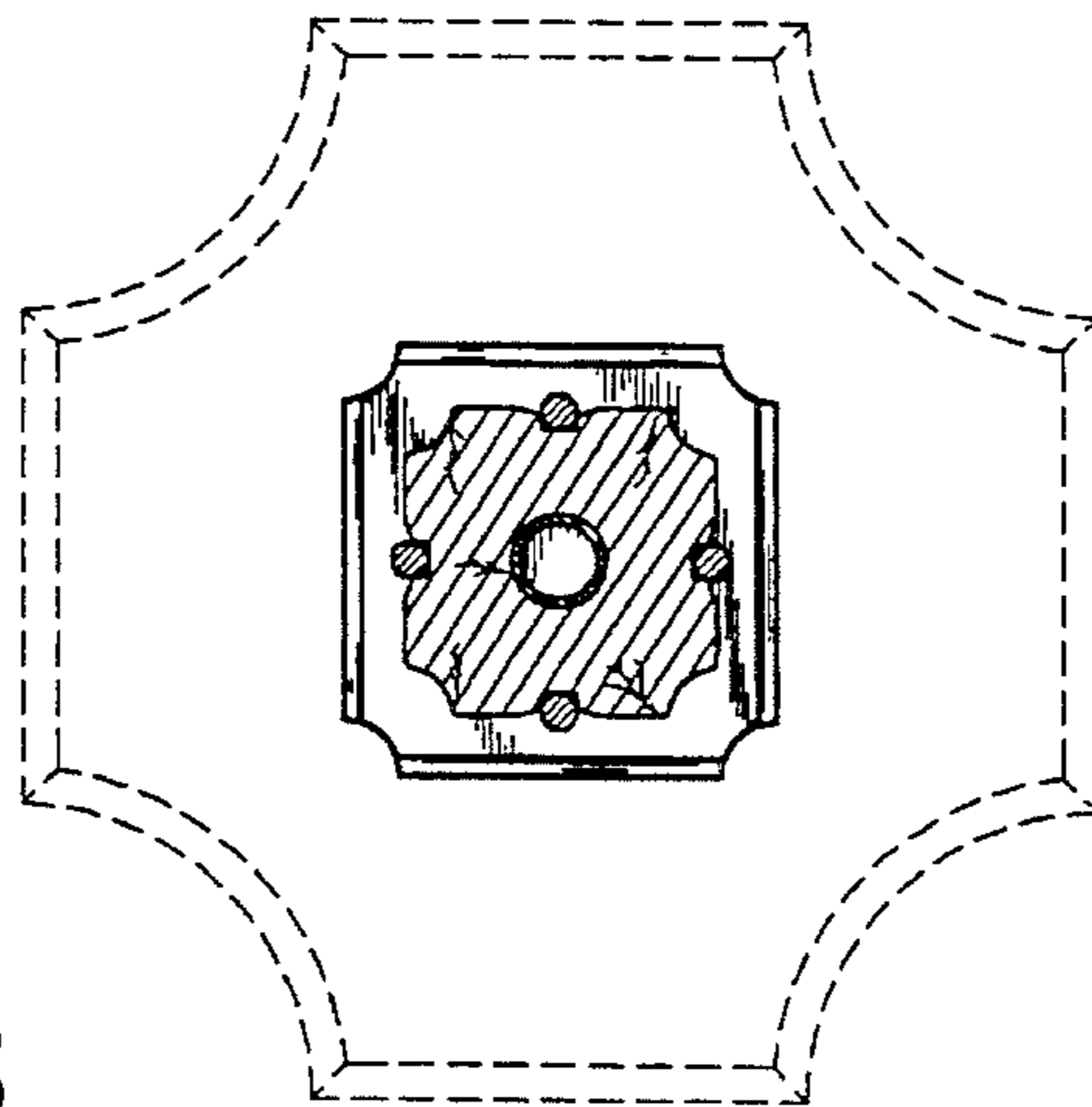


Fig.5

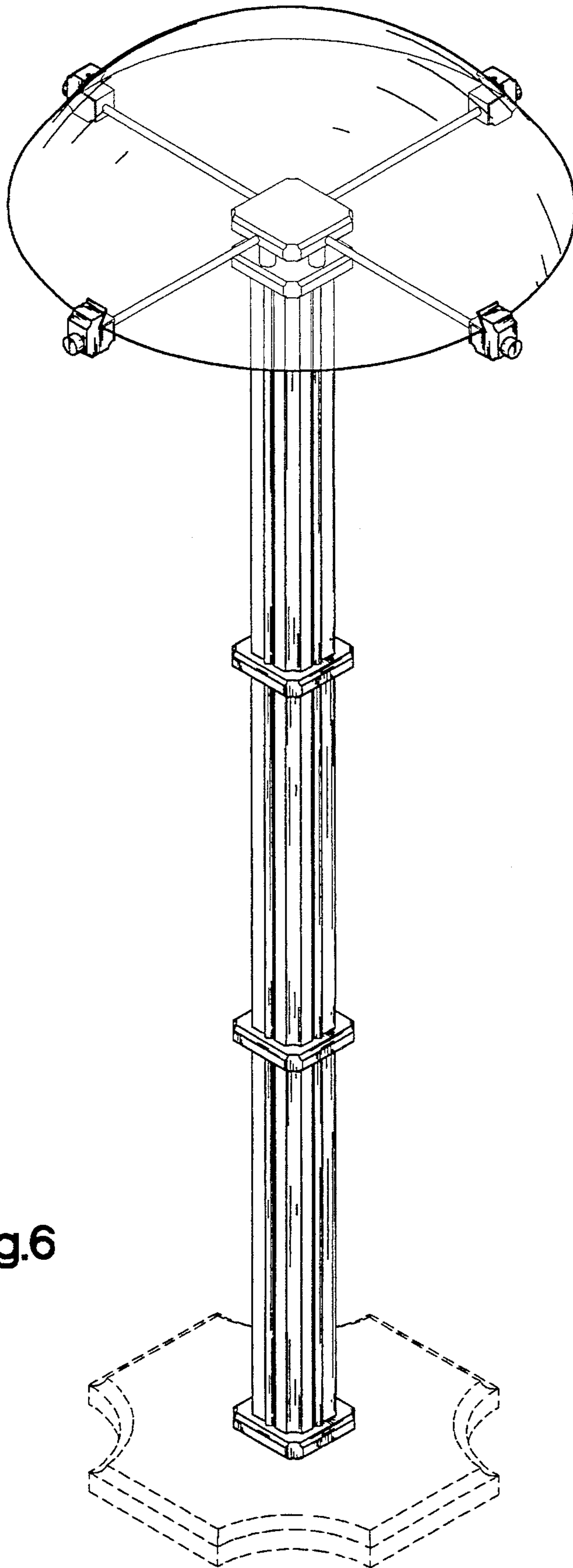


Fig.6

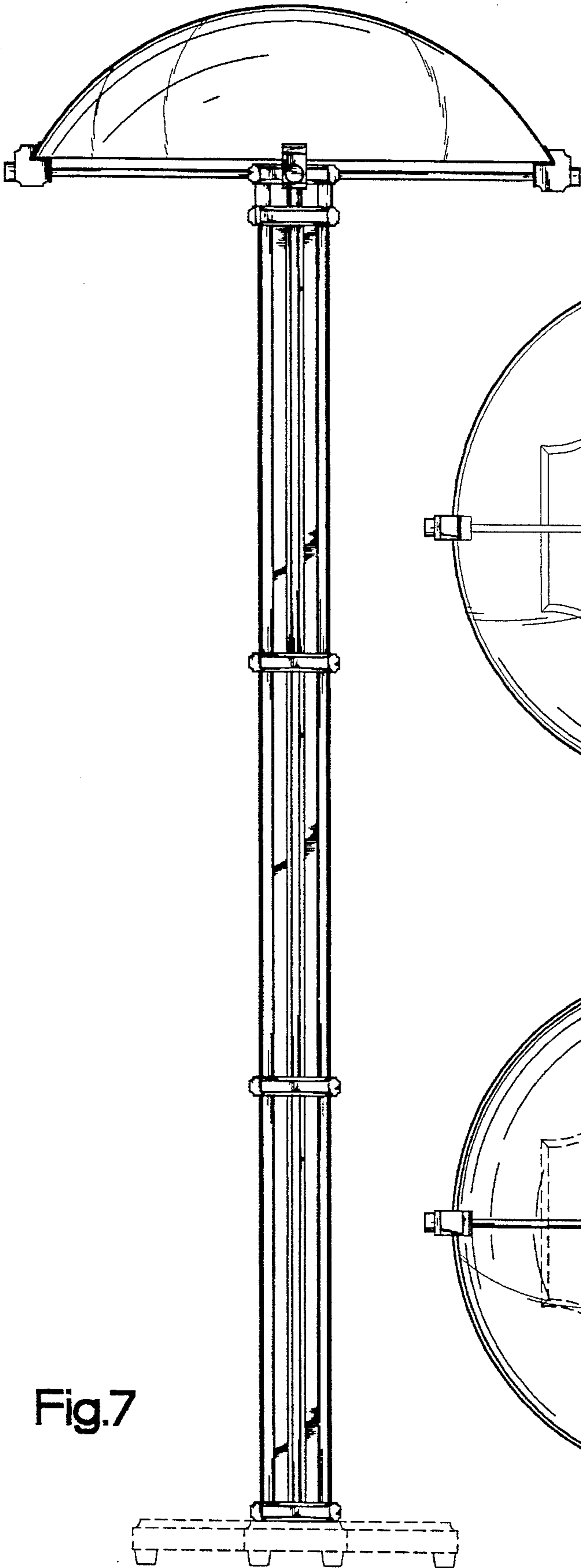


Fig.7

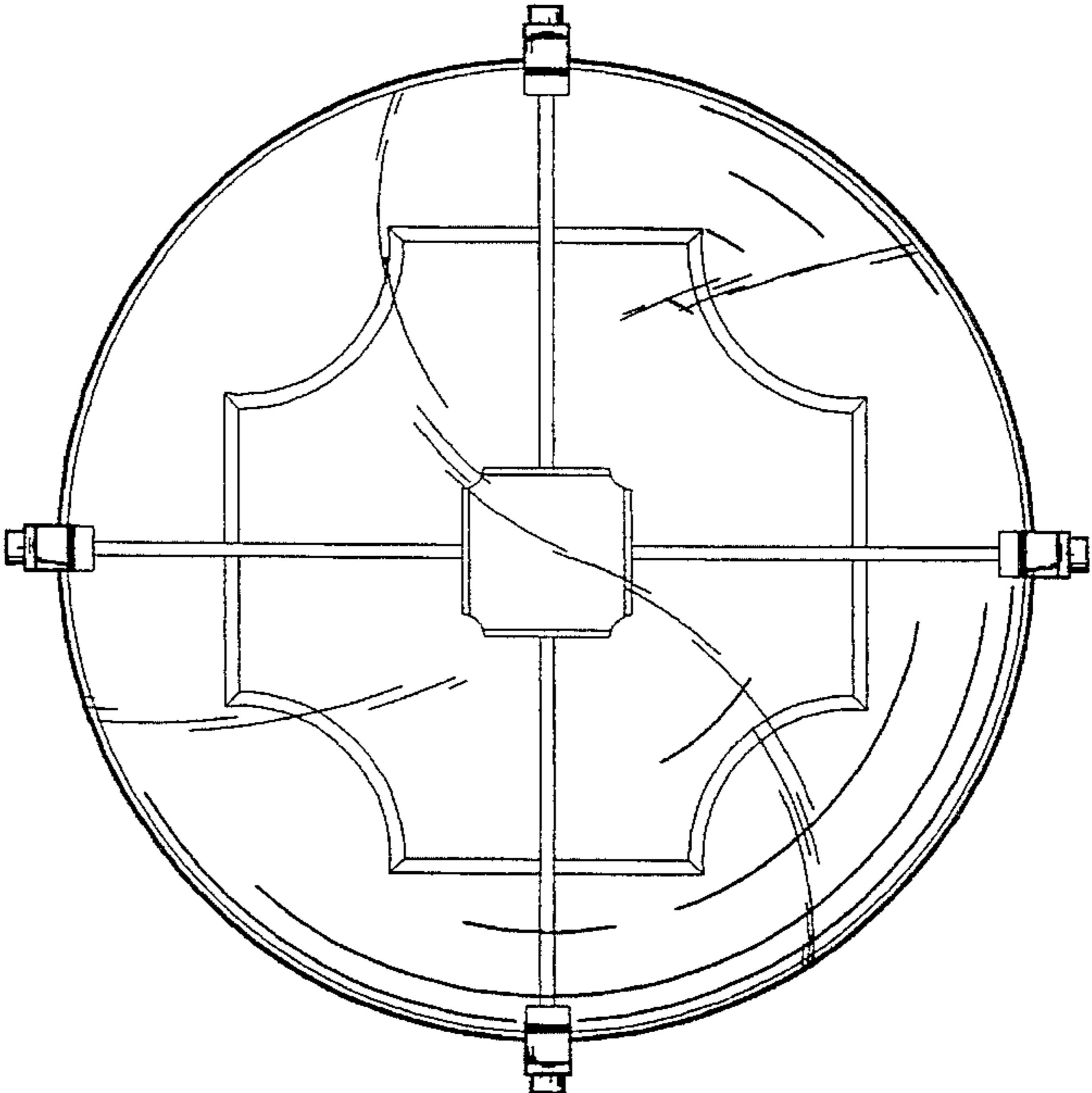


Fig.8

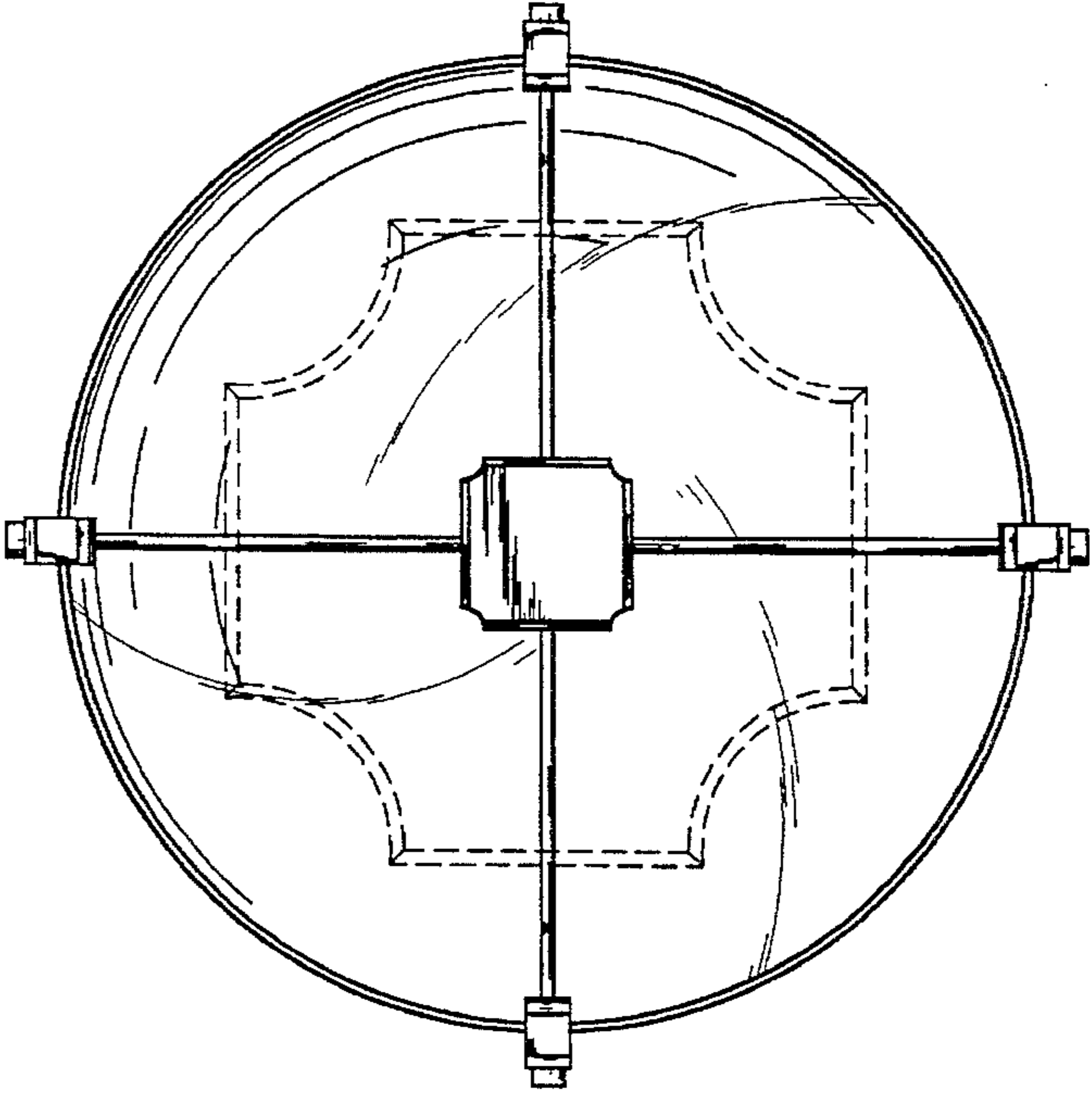


Fig.9