



US00D364001S

United States Patent [19]

[11] Patent Number: **Des. 364,001**

Lieberman et al.

[45] Date of Patent: ****Nov. 7, 1995**

[54] **STAGE LIGHT**

D. 247,689 4/1978 LeVasseur D26/63
D. 316,304 4/1991 Court D26/63

[75] Inventors: **Larry Lieberman; John Laverack,**
both of New York, N.Y.

Primary Examiner—Susan J. Lucas
Attorney, Agent, or Firm—McGlew and Tuttle

[73] Assignee: **Altman/Stage Lighting,** Yonkers, N.Y.

[57] CLAIM

[**] Term: **14 Years**

The ornamental design for a stage light, as shown and described.

[21] Appl. No.: **29,790**

DESCRIPTION

[22] Filed: **Oct. 17, 1994**

[52] U.S. Cl. **D26/63**

[58] Field of Search D26/61, 63, 65;
362/269, 275, 282, 285, 418, 419, 427,
421

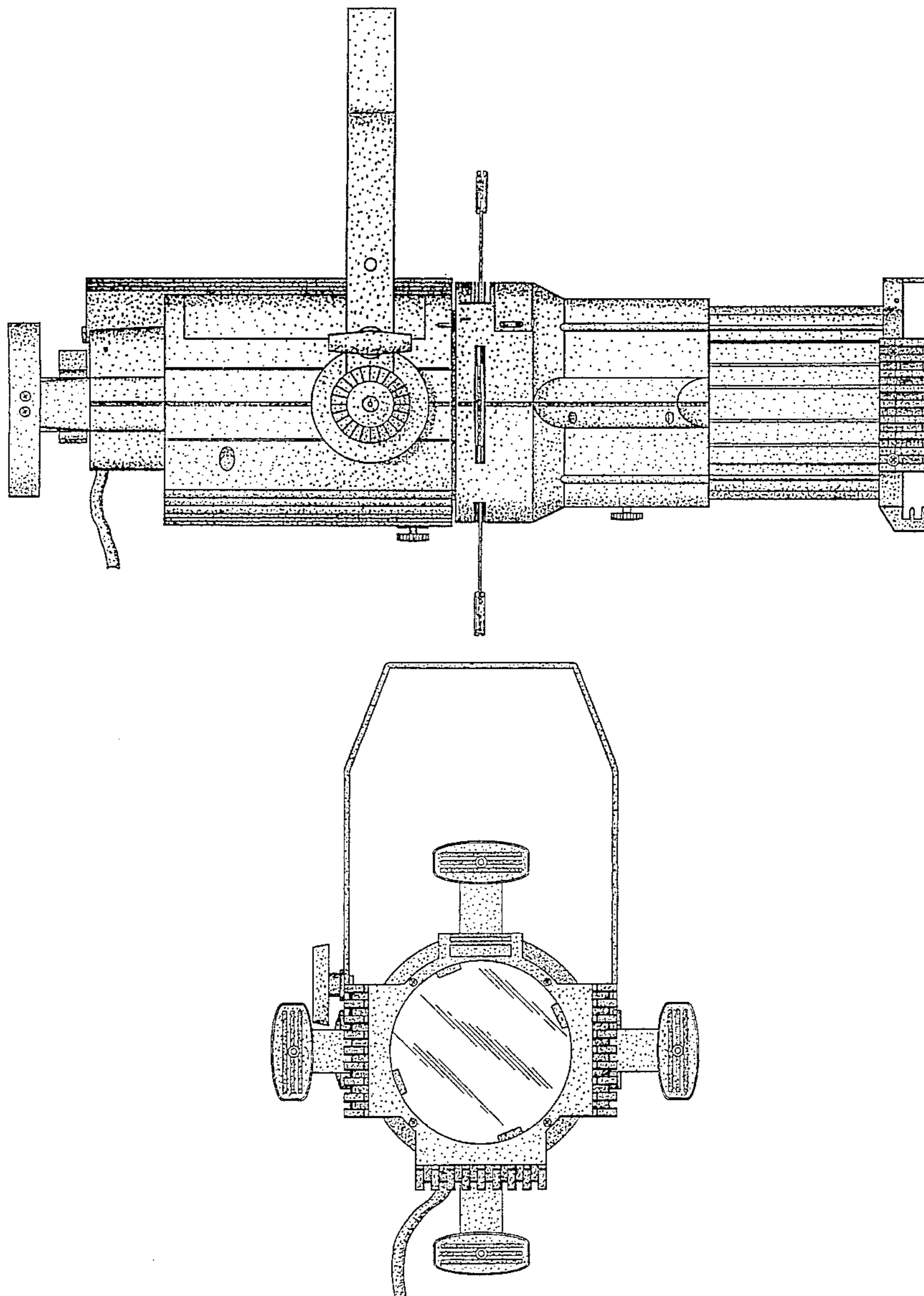
FIG. 1 is a right-side view of the present invention;
FIG. 2 is a left-side view of the present invention;
FIG. 3 is a top view of the present invention;
FIG. 4 is a bottom view of the present invention;
FIG. 5 is a back view of the present invention; and,
FIG. 6 is a front view of the present invention.

[56] References Cited

U.S. PATENT DOCUMENTS

D. 93,934 11/1934 Levy D26/65

1 Claim, 5 Drawing Sheets



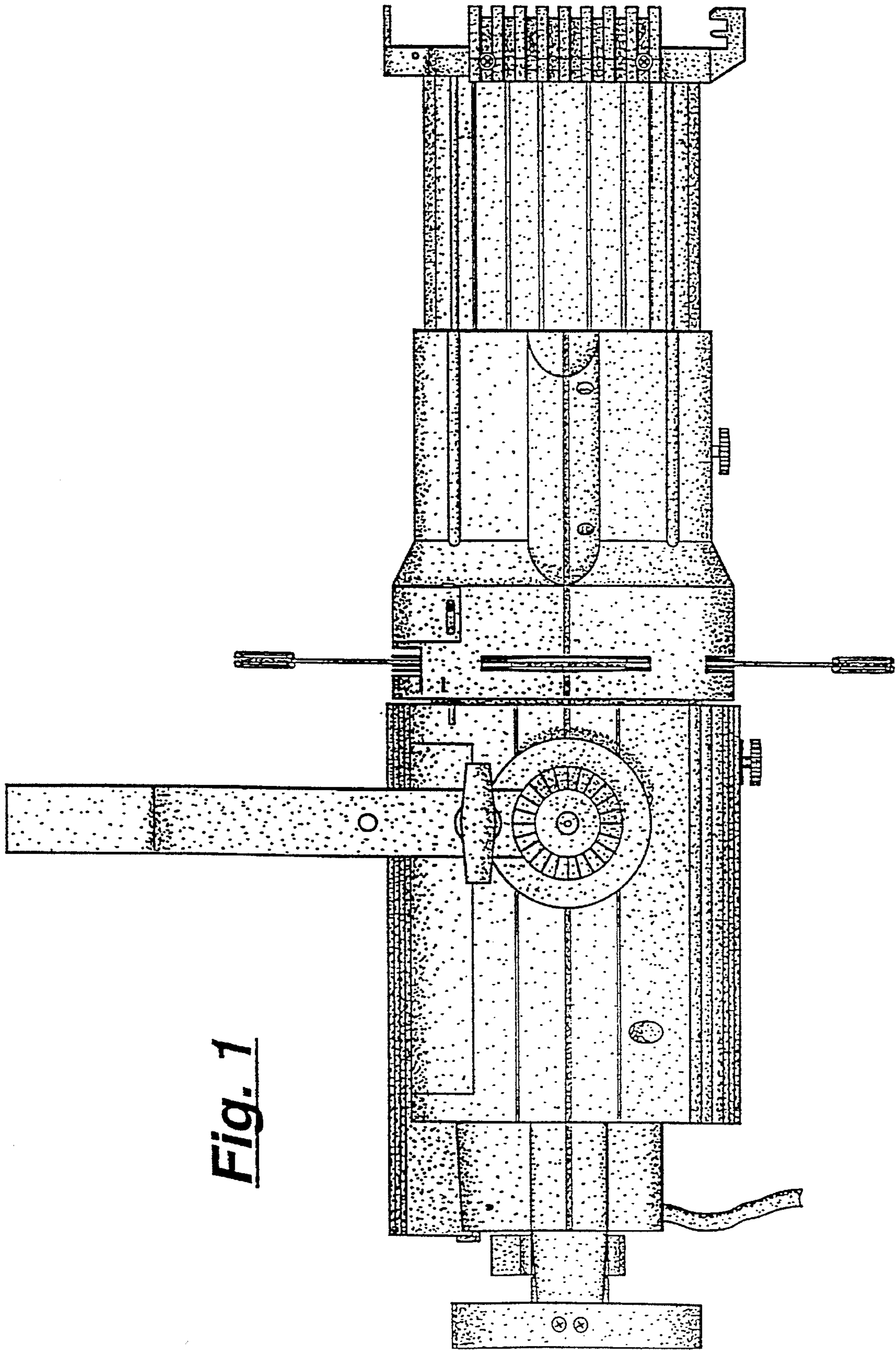


Fig. 1

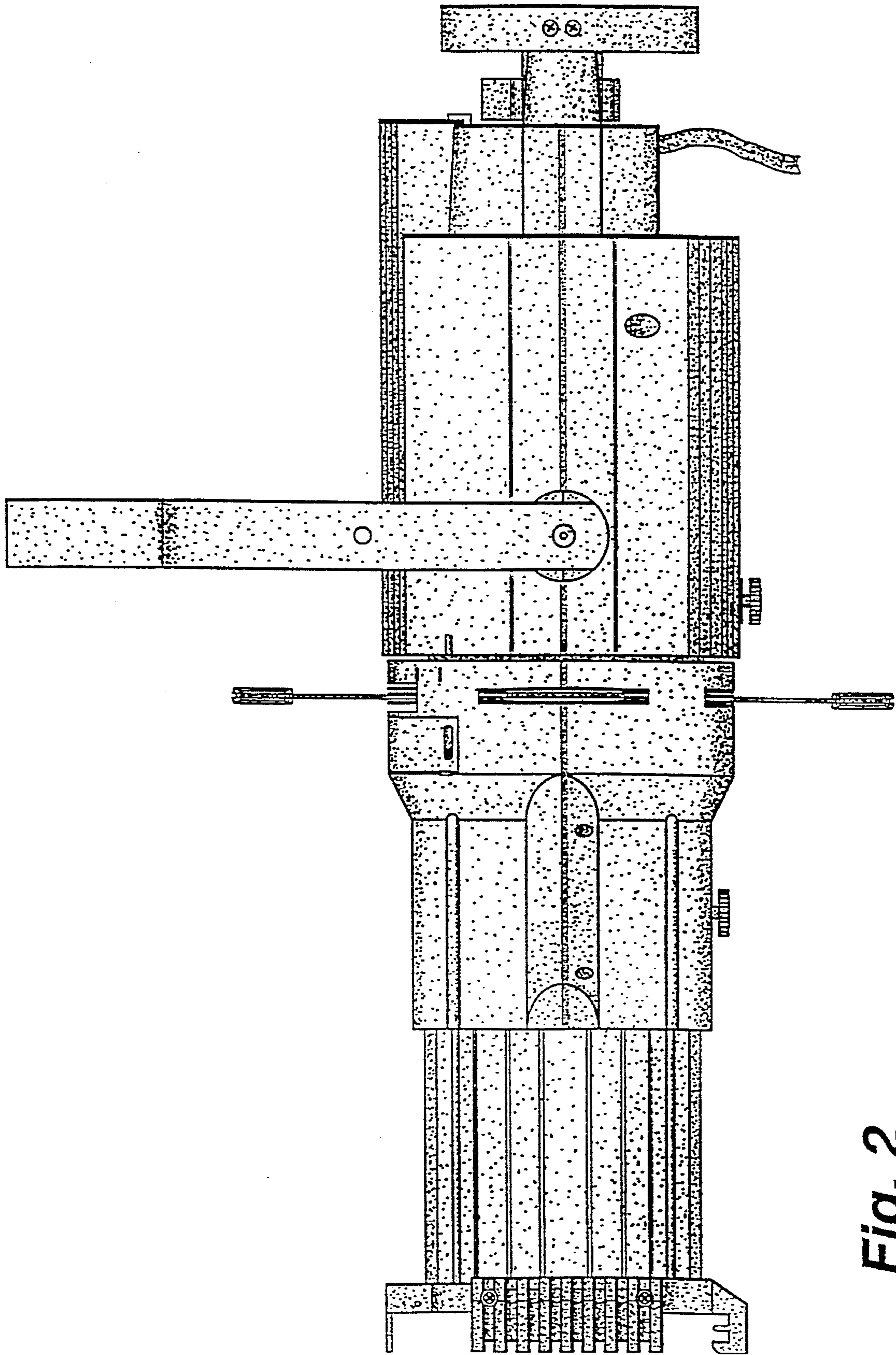


Fig. 2

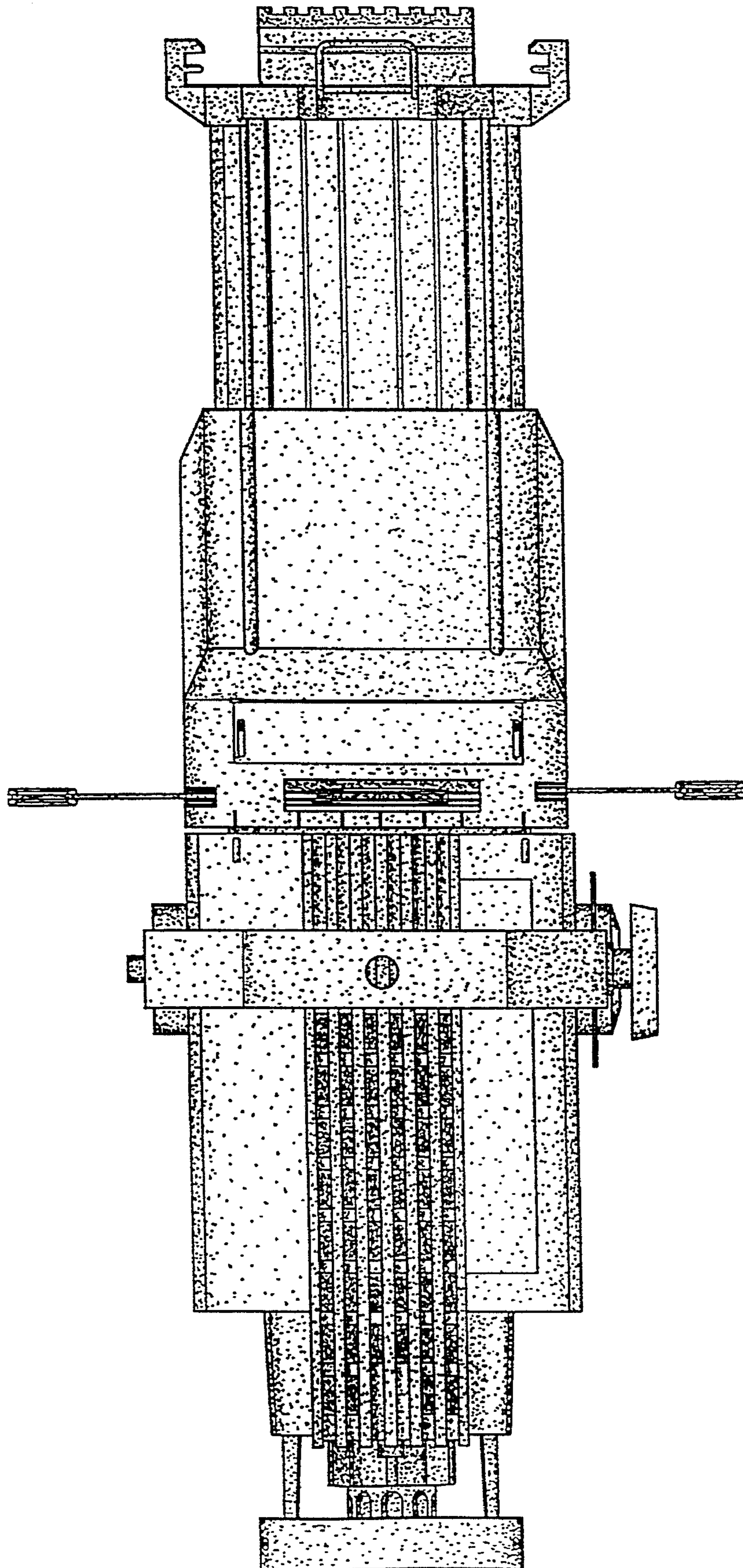


Fig. 3

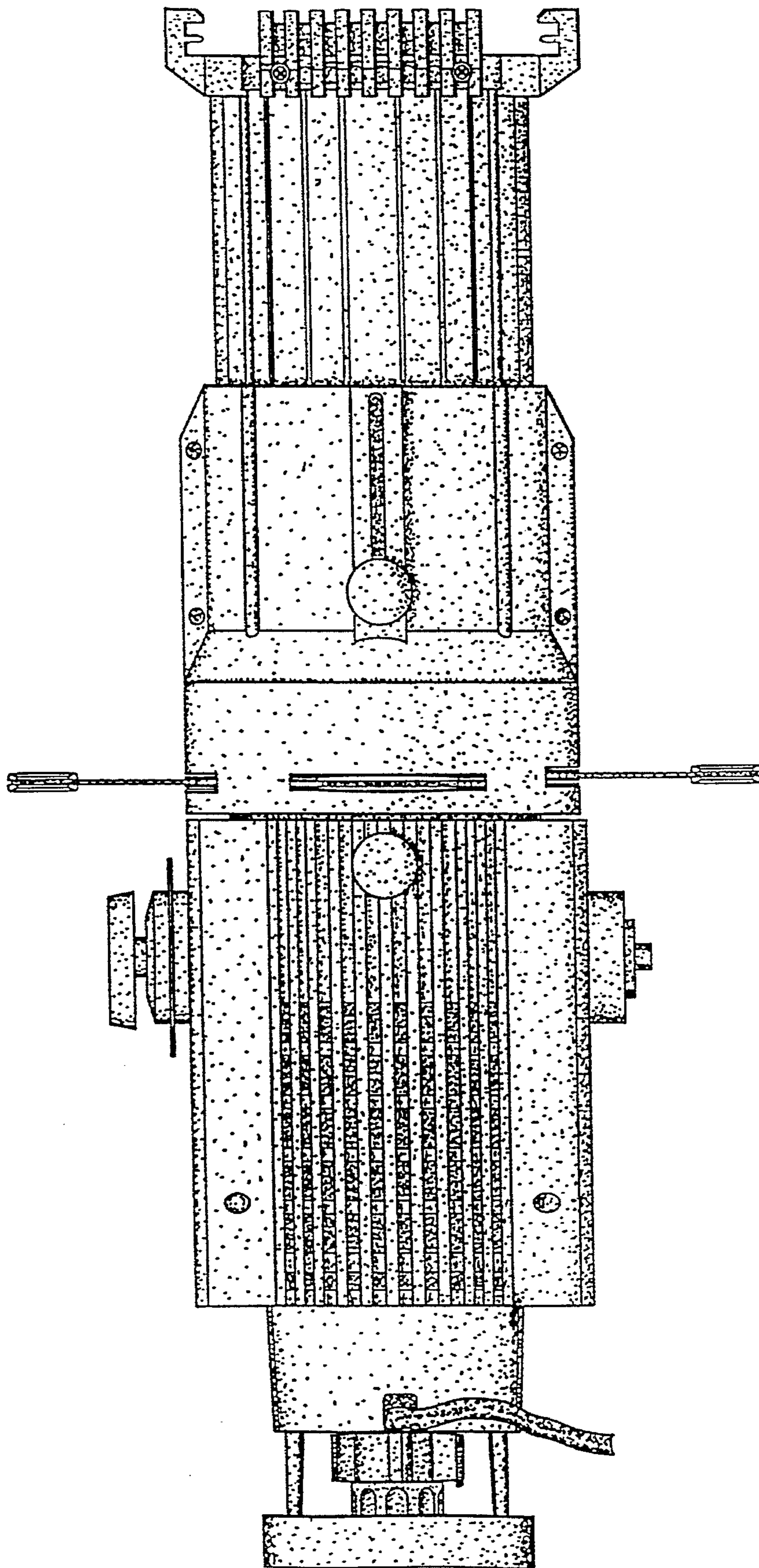


Fig. 4

Fig. 6

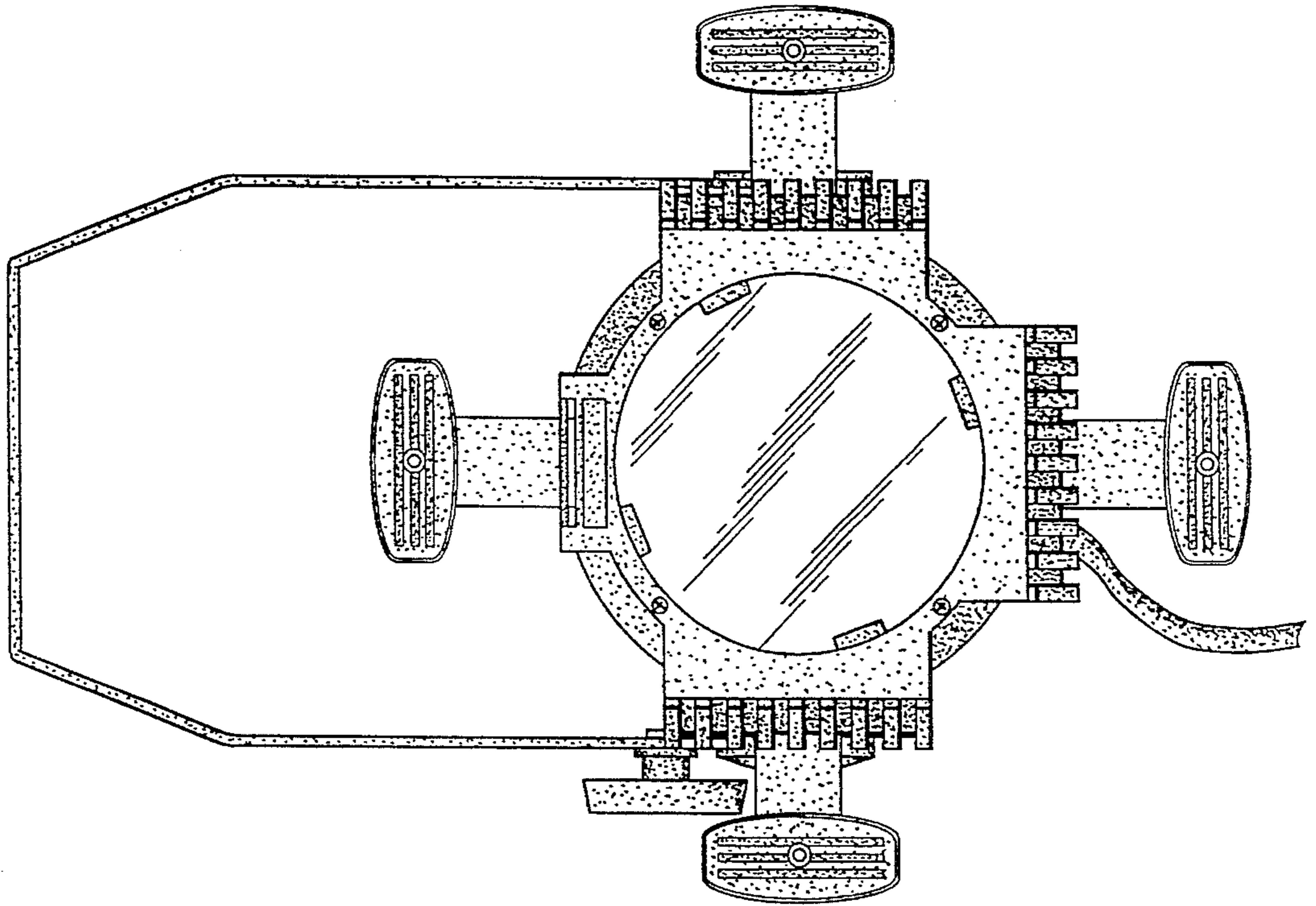


Fig. 5

