



US00D363998S

United States Patent [19]

[11] Patent Number: **Des. 363,998**

DeLillo et al.

[45] Date of Patent: ****Nov. 7, 1995**

[54] **DISPOSABLE TOILET NIGHT-LIGHT**

D. 315,028	2/1991	Grant et al.	D26/24
3,982,288	9/1976	Borne .		
4,736,471	4/1988	Johnson .		
5,003,648	4/1991	Anderson .		
5,136,476	8/1992	Horn	362/198

[76] Inventors: **Dominick D. DeLillo**, 566 S. Western Hwy., Blauvelt, N.Y. 10913; **Richard Greco**, 110 Walnut St., West Hempstead, N.Y. 11552

Primary Examiner—Susan J. Lucas

[**] Term: **14 Years**

[57] CLAIM

[21] Appl. No.: **23,350**

The ornamental design for the disposable toilet night-light, as shown and described.

[22] Filed: **May 23, 1994**

[52] U.S. Cl. **D26/24**

DESCRIPTION

[58] **Field of Search** D26/37-50, 24; 362/96, 157, 158, 183, 184, 187-202; D23/303; 4/661

FIG. 1 is a front elevational view of the disposable toilet night-light showing our new design; FIG. 2 is a rear elevational view thereof; FIG. 3 is a left side elevational view thereof; FIG. 4 is a right side elevational view thereof; FIG. 5 is a top plan view thereof; and, FIG. 6 is a bottom plan view thereof.

[56] References Cited

U.S. PATENT DOCUMENTS

D. 263,629	3/1982	Collins et al. .		
D. 313,082	12/1990	Clarkson, Jr.	D26/24

1 Claim, 3 Drawing Sheets

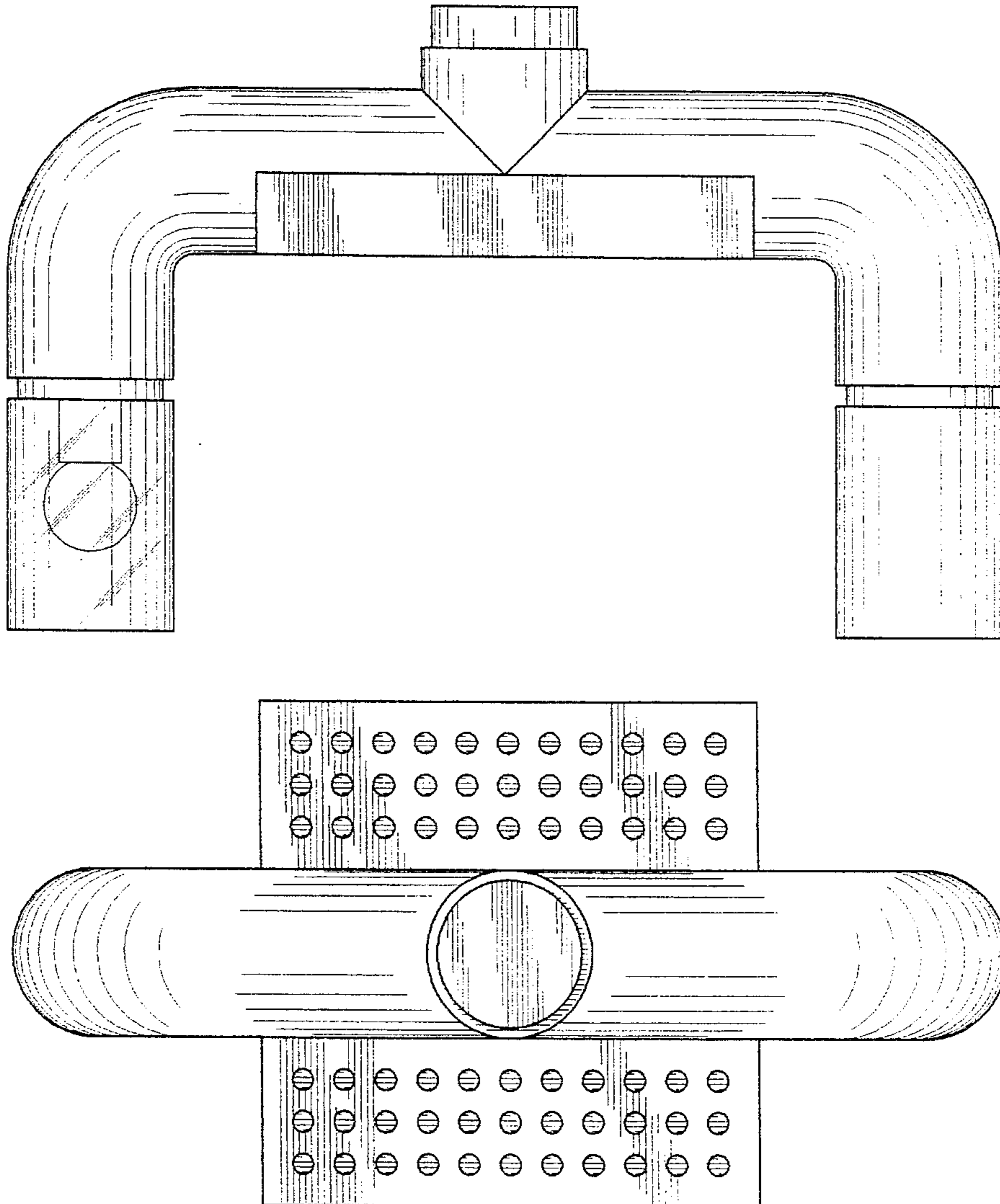


FIG. 1

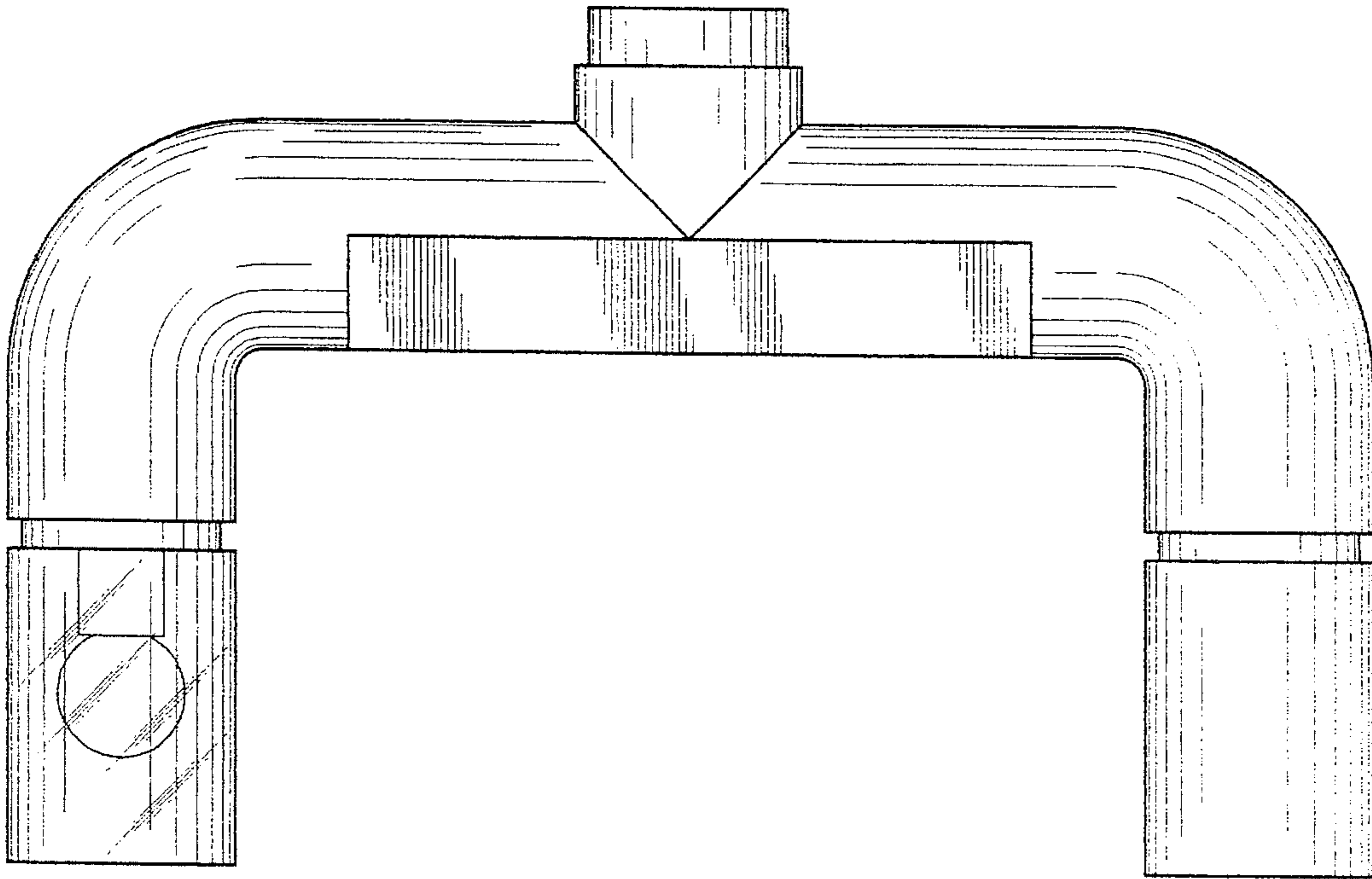


FIG. 2

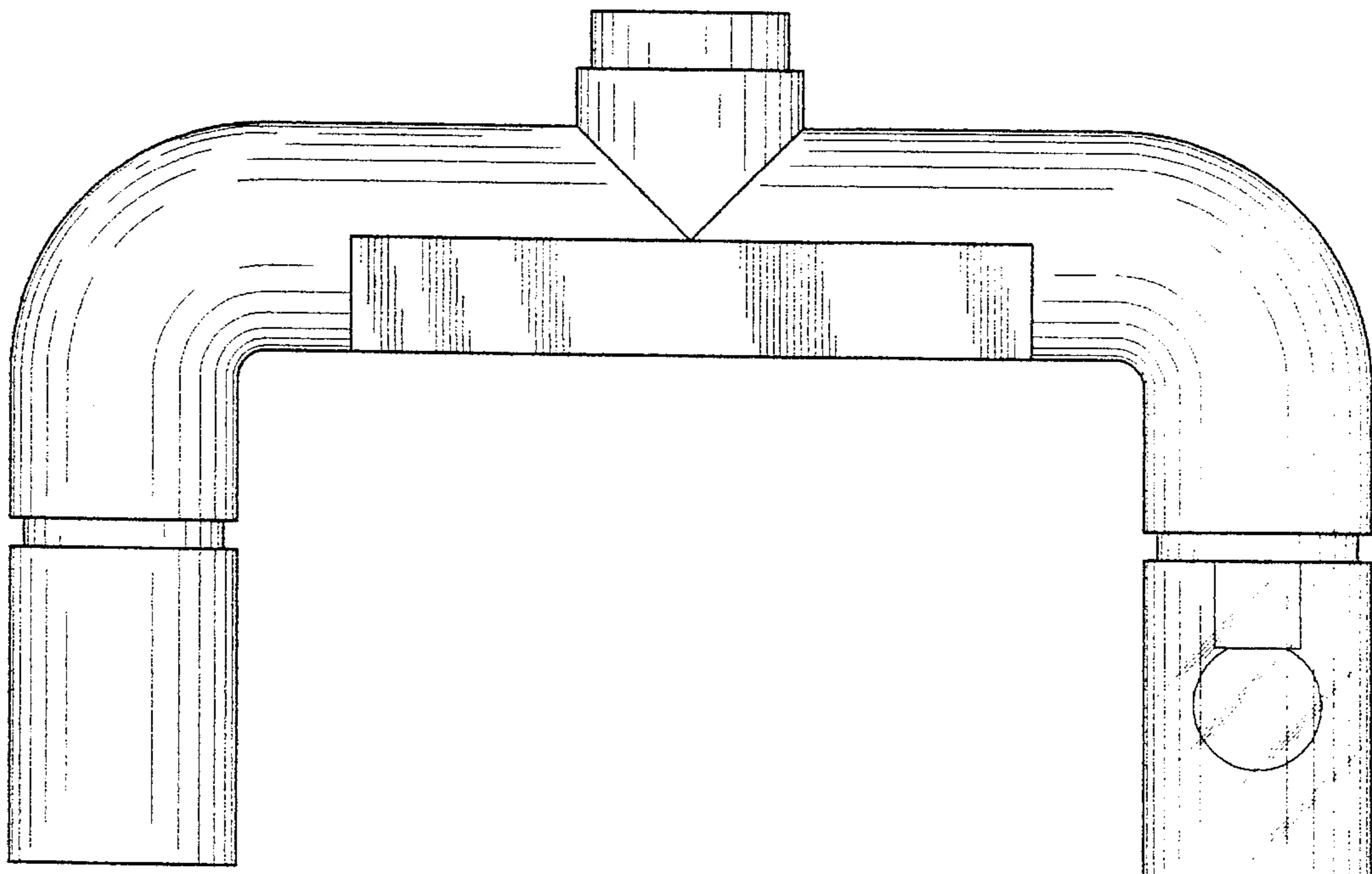


FIG. 3

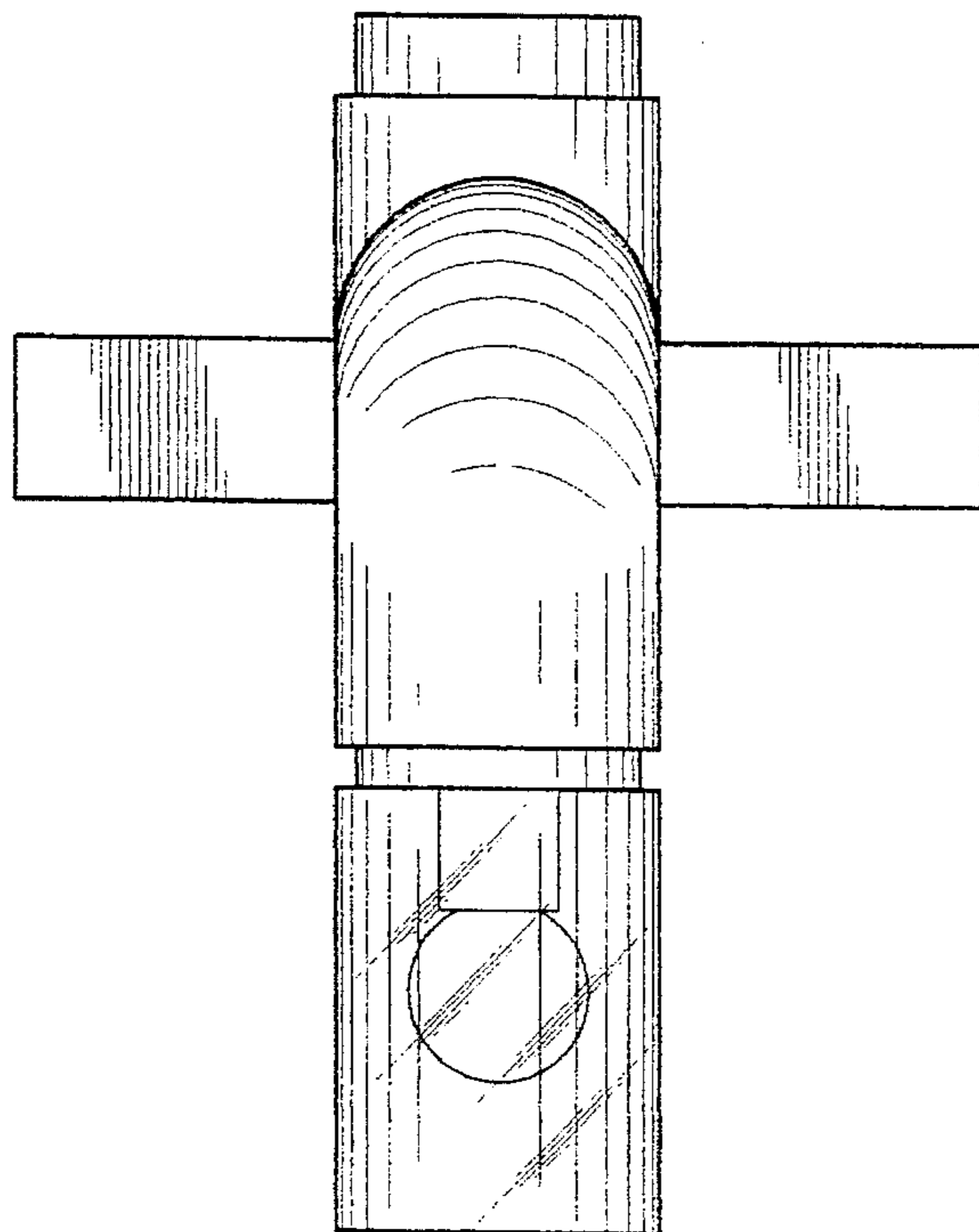


FIG. 4

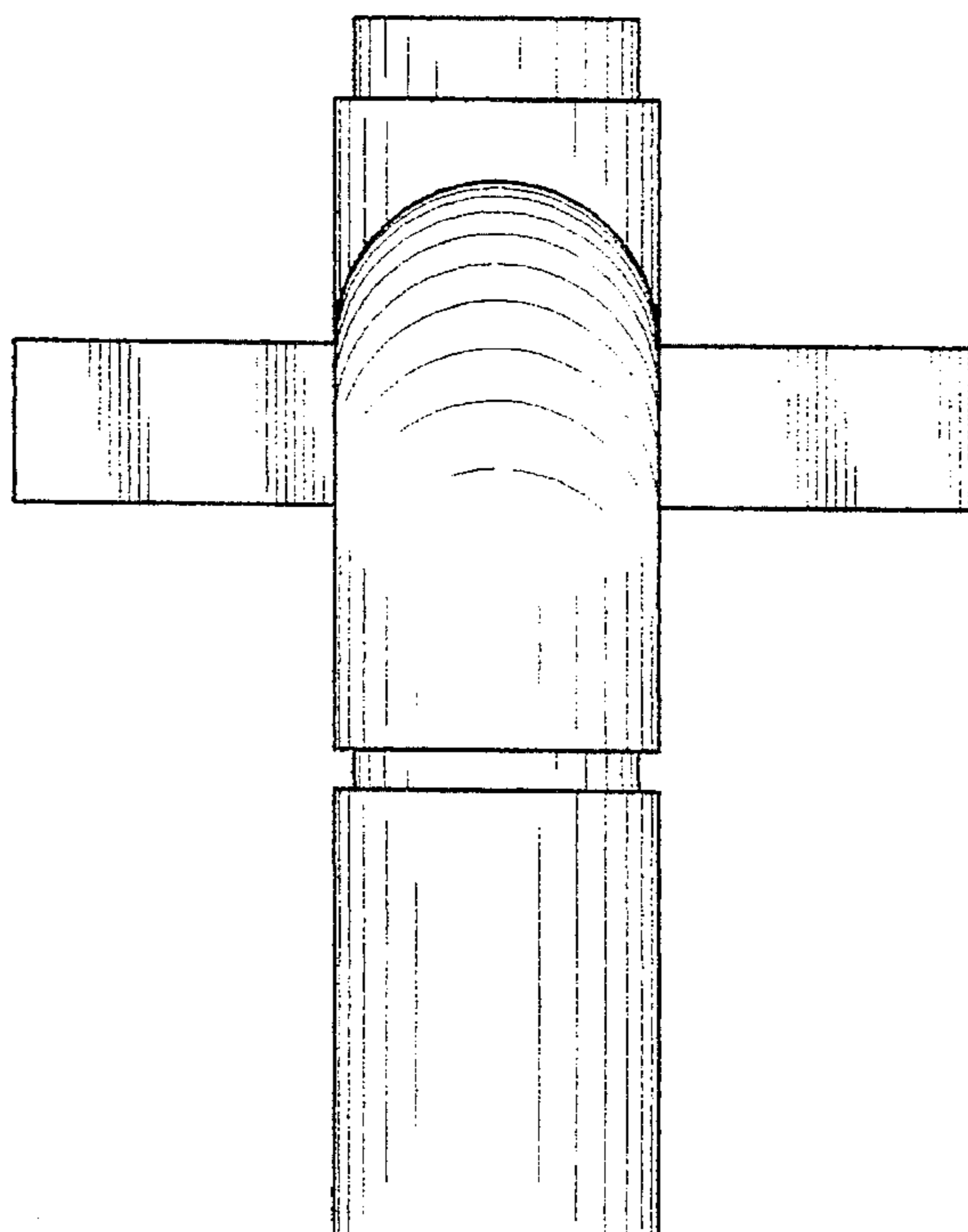


FIG. 5

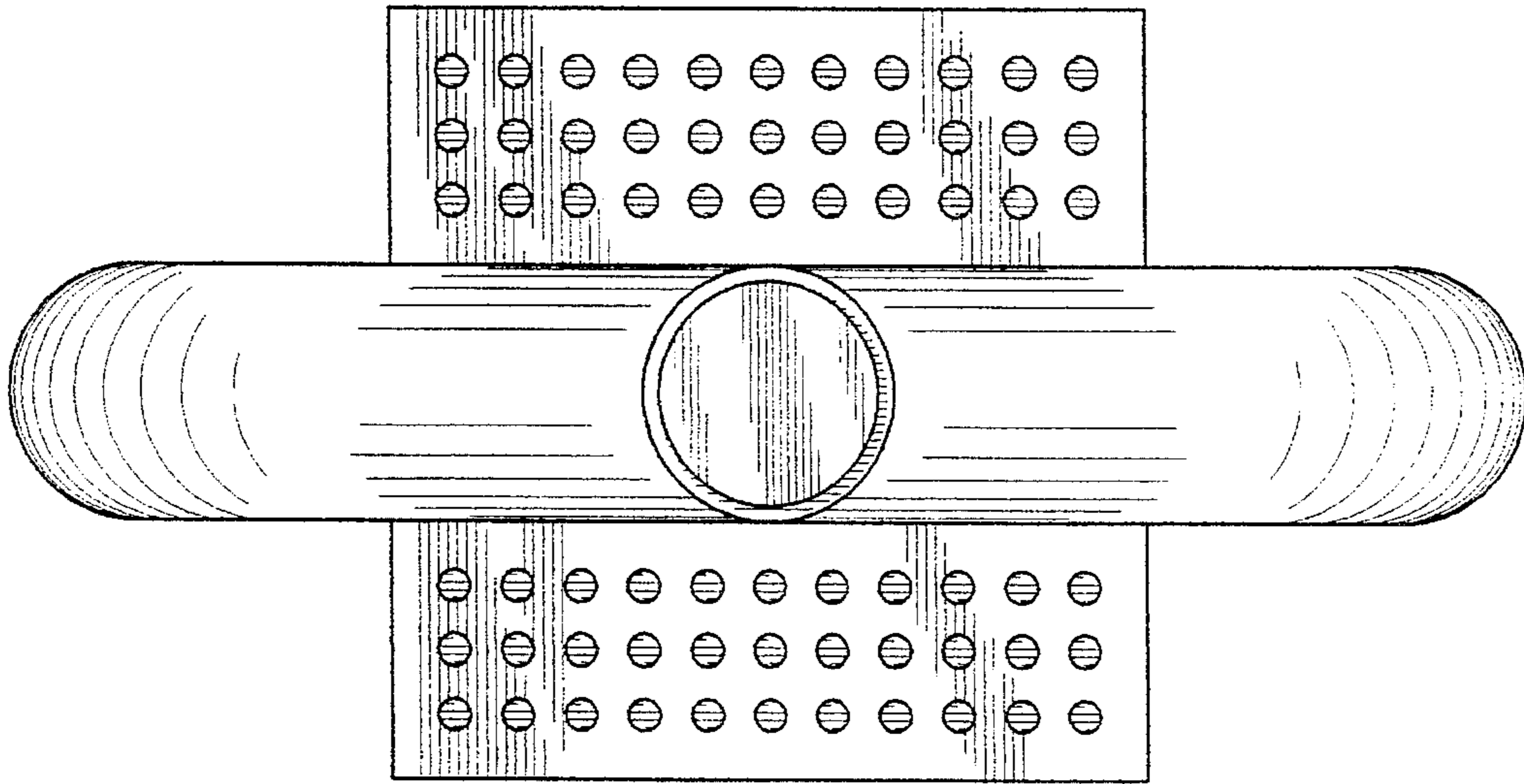


FIG. 6

