



US00D363996S

**United States Patent** [19]  
**Davies**

[11] **Patent Number: Des. 363,996**  
[45] **Date of Patent: \*\*Nov. 7, 1995**

[54] **TILE EDGING STRIP**

[75] Inventor: **Alan Davies**, Hednesford, England

[73] Assignee: **McKechnie UK Limited**, Walsall, England

[\*\*] Term: **14 Years**

[21] Appl. No.: **32,564**

[22] Filed: **Dec. 21, 1994**

[30] **Foreign Application Priority Data**

Jun. 30, 1994 [GB] United Kingdom ..... 2040045

[52] **U.S. Cl.** ..... **D25/119; D25/69; D25/164**

[58] **Field of Search** ..... D25/68-69, 122, D25/125, 120, 164, 119, 199; D6/587; 52/179, 181, 220.5, 391-393, 396.1, 396.04, 459, 716.1, 718.01, 282-288, 731.7, 730.6; 428/33, 43

[56] **References Cited**

**U.S. PATENT DOCUMENTS**

Re. 17,205 2/1929 Loehn ..... D25/69  
D. 101,762 11/1936 Bonnell ..... D25/164  
1,528,147 3/1925 Durkee ..... D25/164

2,835,937 5/1958 Hobbs ..... 52/181  
3,411,977 11/1968 Slater, Jr. .... 428/33  
3,589,087 6/1971 DeLazzero ..... 52/181  
3,848,379 11/1974 Hazen ..... 52/220.5  
4,840,824 6/1989 Davis ..... D25/69  
4,905,431 3/1990 Davis ..... 52/181  
5,073,430 12/1991 Hidan ..... 428/43

**FOREIGN PATENT DOCUMENTS**

2694/26 8/1926 Australia ..... D25/119

*Primary Examiner*—Doris Clark  
*Attorney, Agent, or Firm*—Volpe and Koenig

[57] **CLAIM**

The ornamental design for a tile edging strip, as shown and described.

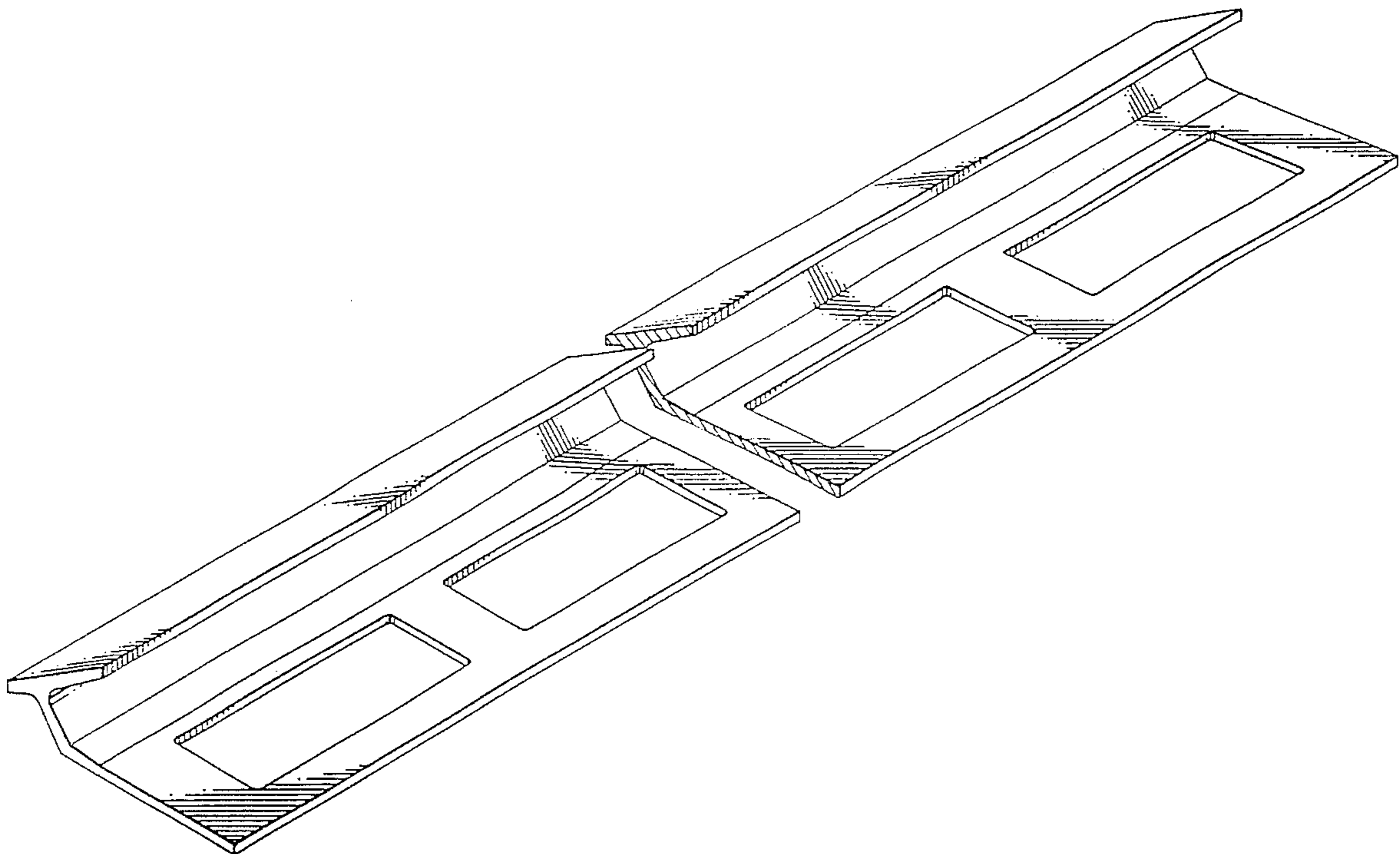
**DESCRIPTION**

FIG. 1 is a perspective view from one end of the tile edging strip which is broken in the center to indicate indeterminate length, and the pattern of the openings is repeated throughout the width thereof; and,

FIG. 2 is an enlarged view of the other end.

The bottom of the tile edging strip is substantially identical to the top.

**1 Claim, 1 Drawing Sheet**



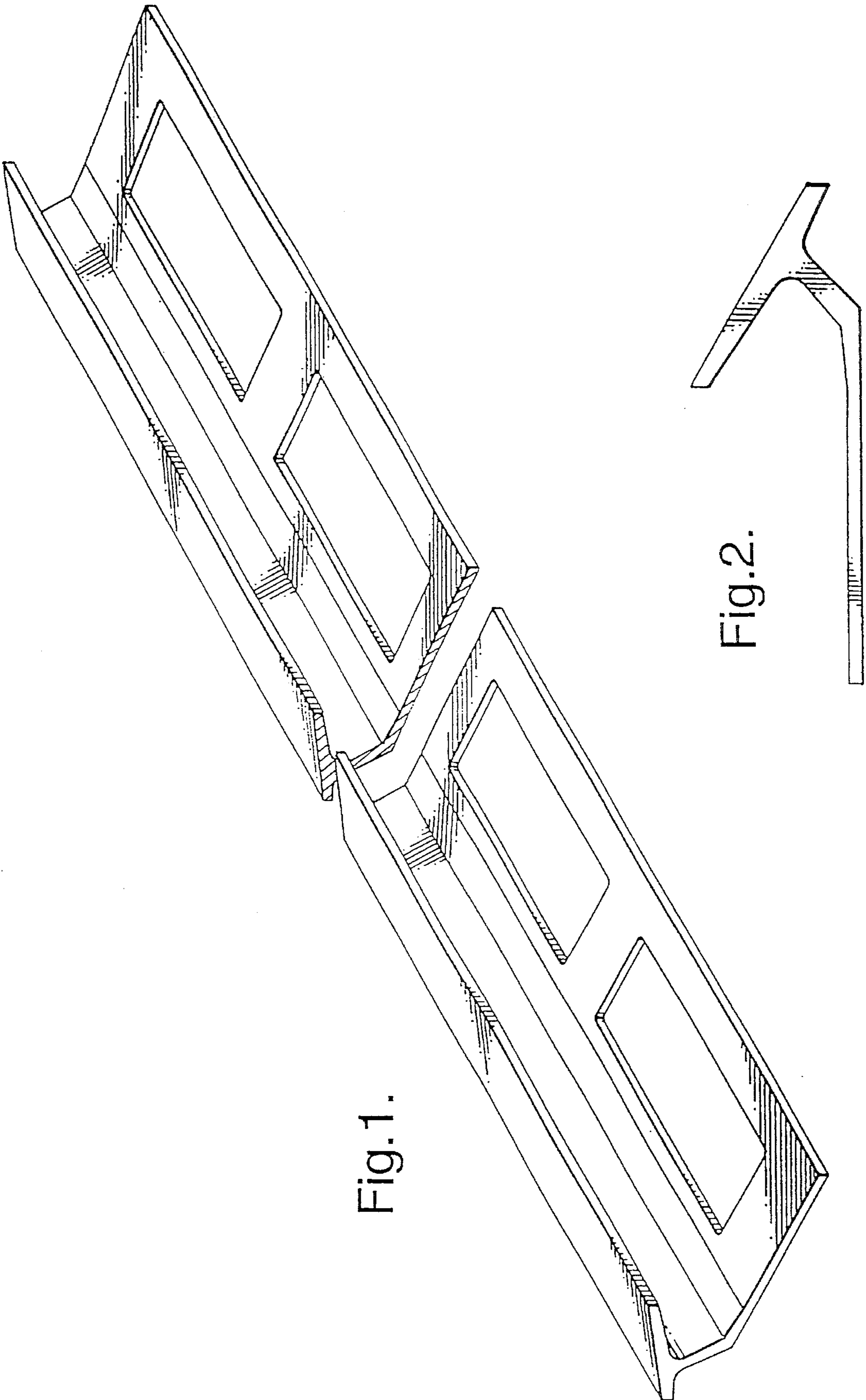


Fig. 1.

Fig. 2.