



US00D363995S

United States Patent [19]
Mollenhauer

[11] **Patent Number:** **Des. 363,995**
[45] **Date of Patent:** ****Nov. 7, 1995**

[54] **LADDER MOUNTED TOOL TRAY**
[76] Inventor: **Merle Mollenhauer**, 1235 Blairs Ferry Rd., Marion, Iowa 52302
[**] Term: **14 Years**
[21] Appl. No.: **15,773**
[22] Filed: **Nov. 29, 1993**
[52] **U.S. Cl.** **D25/68**
[58] **Field of Search** D25/68; D12/133, D12/425; D32/53.1; 182/129; 248/238, 210

Primary Examiner—Doris Clark

[57] **CLAIM**

The ornamental design for a ladder mounted tool tray, as shown and described.

DESCRIPTION

FIG. 1 is a front elevational view of the ladder mounted tool tray showing my new design;
FIG. 2 is a rear elevational view thereof;
FIG. 3 is a left side elevational view thereof;
FIG. 4 is a right side elevational view thereof;
FIG. 5 is a top plan view thereof;
FIG. 6 is a bottom plan view thereof; and,
FIG. 7 is an isometric view thereof.

The configuration of the extended tube is continuous throughout its length.

[56] **References Cited**
U.S. PATENT DOCUMENTS

D. 286,574	11/1986	McMillin	D25/68
4,662,594	5/1987	Dubis	248/238
4,949,925	8/1990	Gorecki	182/129
4,979,710	12/1990	Baldwin	248/210

1 Claim, 4 Drawing Sheets

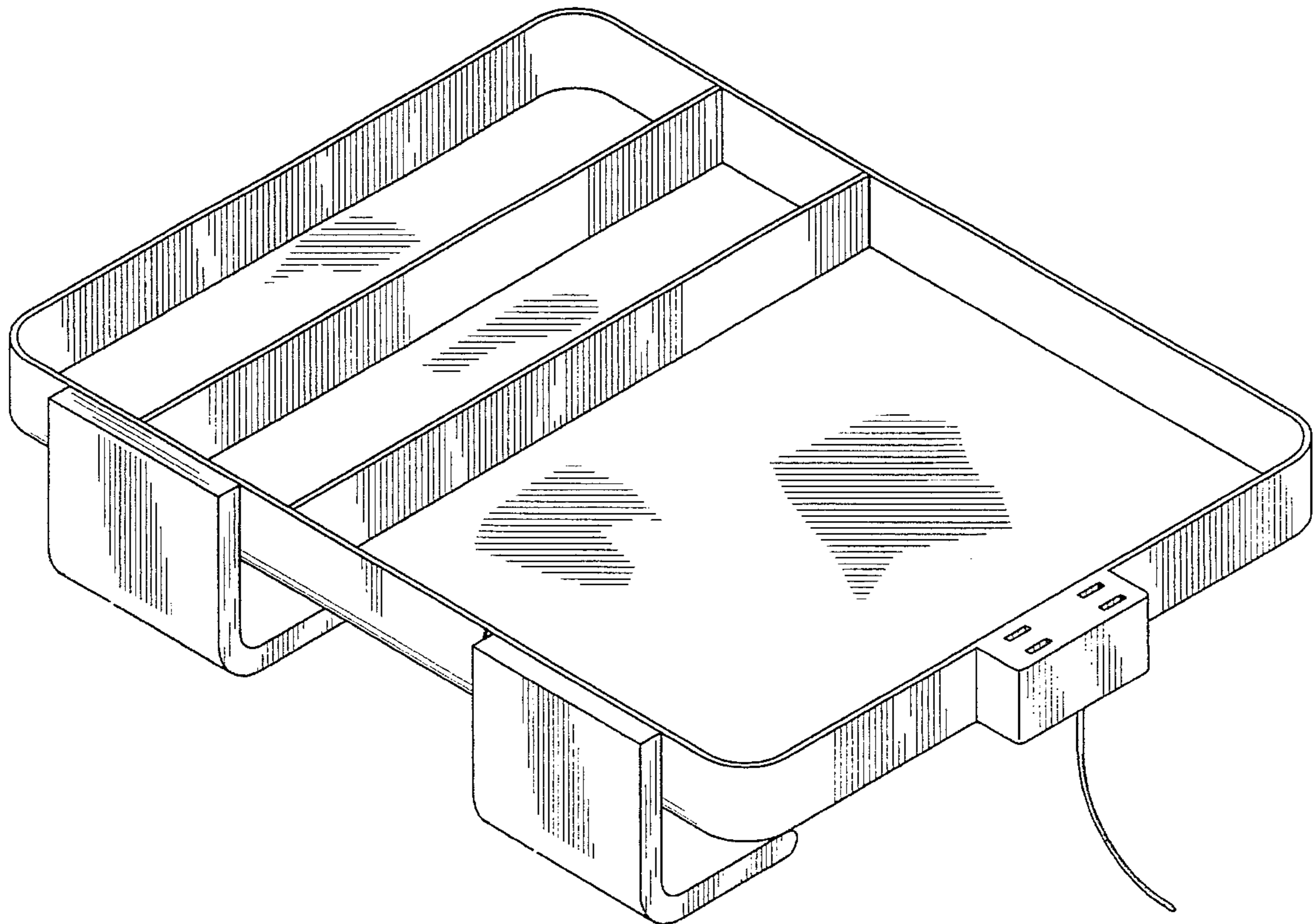


FIG. 1

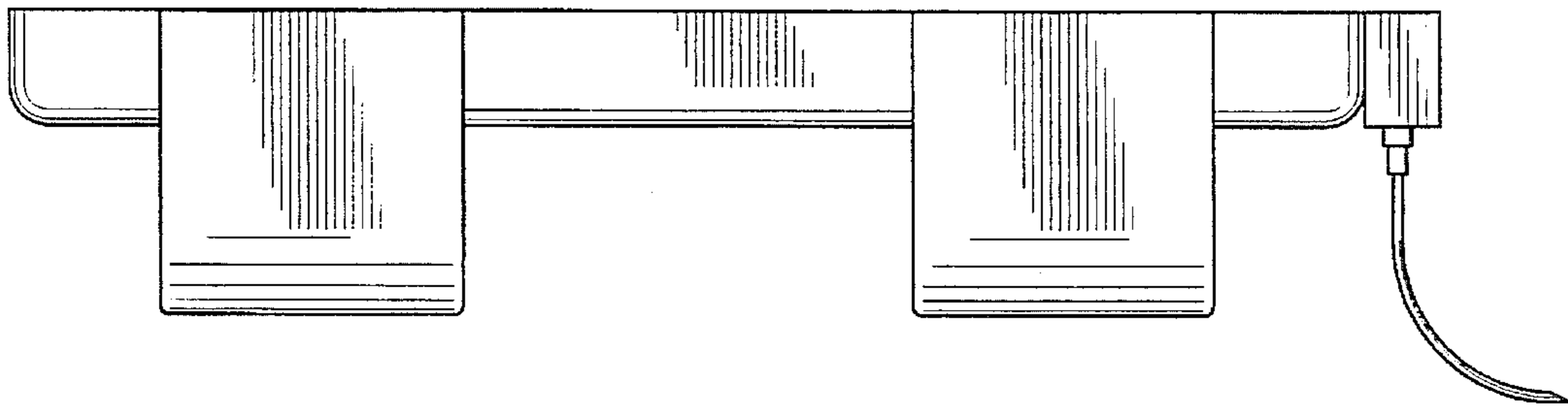


FIG. 2

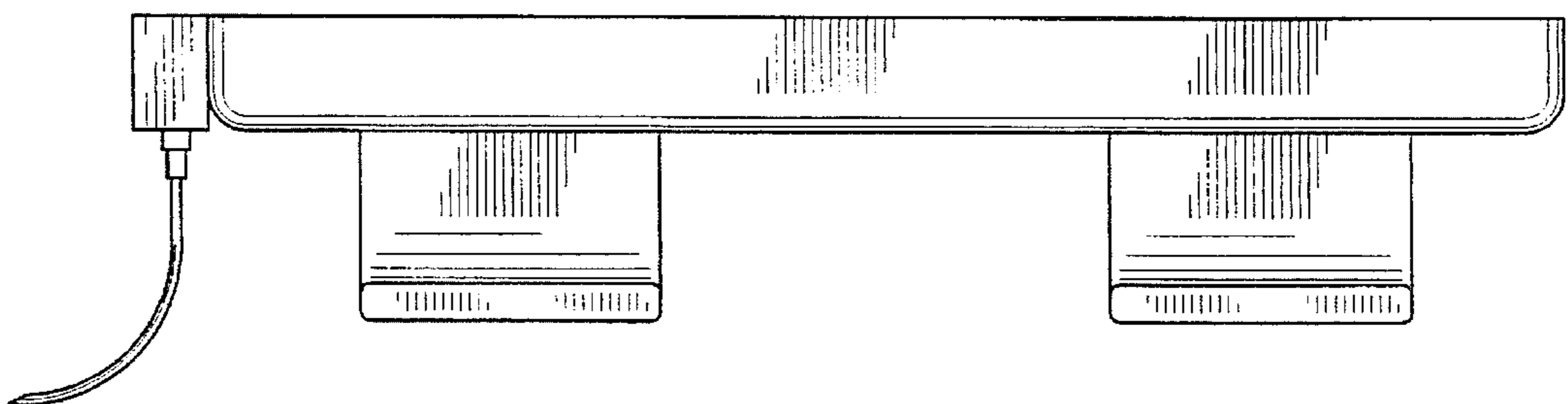


FIG. 3

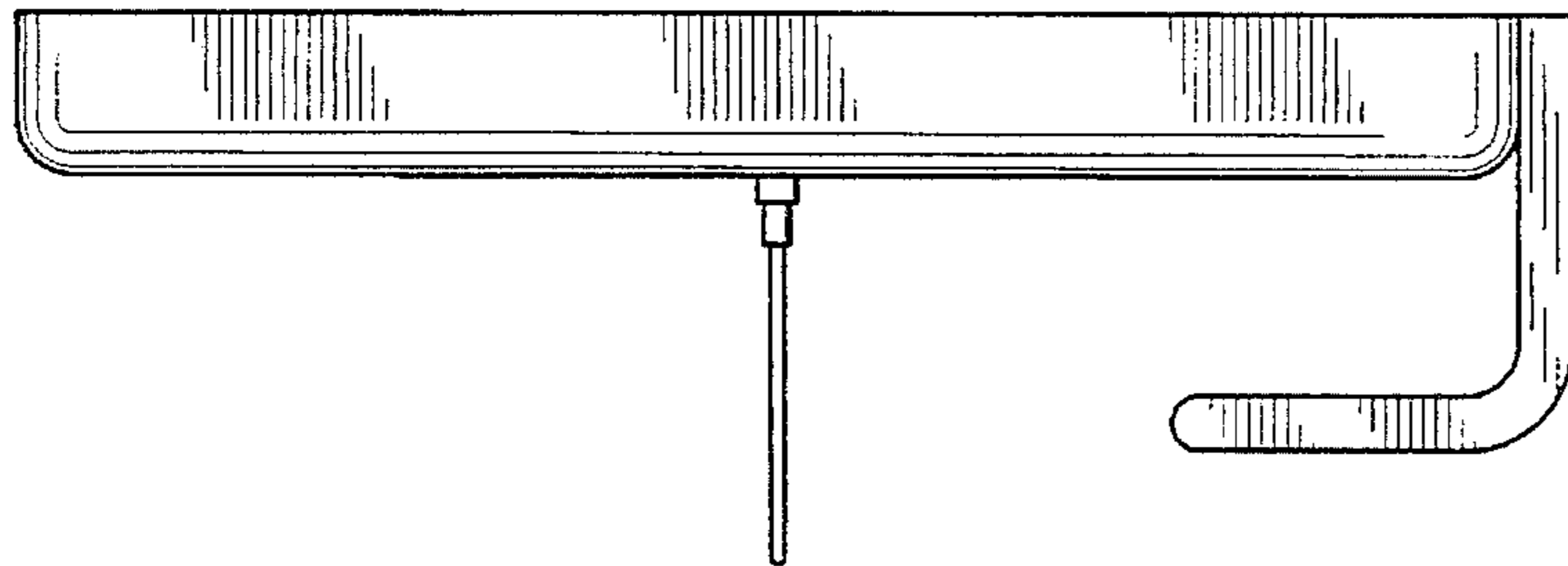


FIG. 4

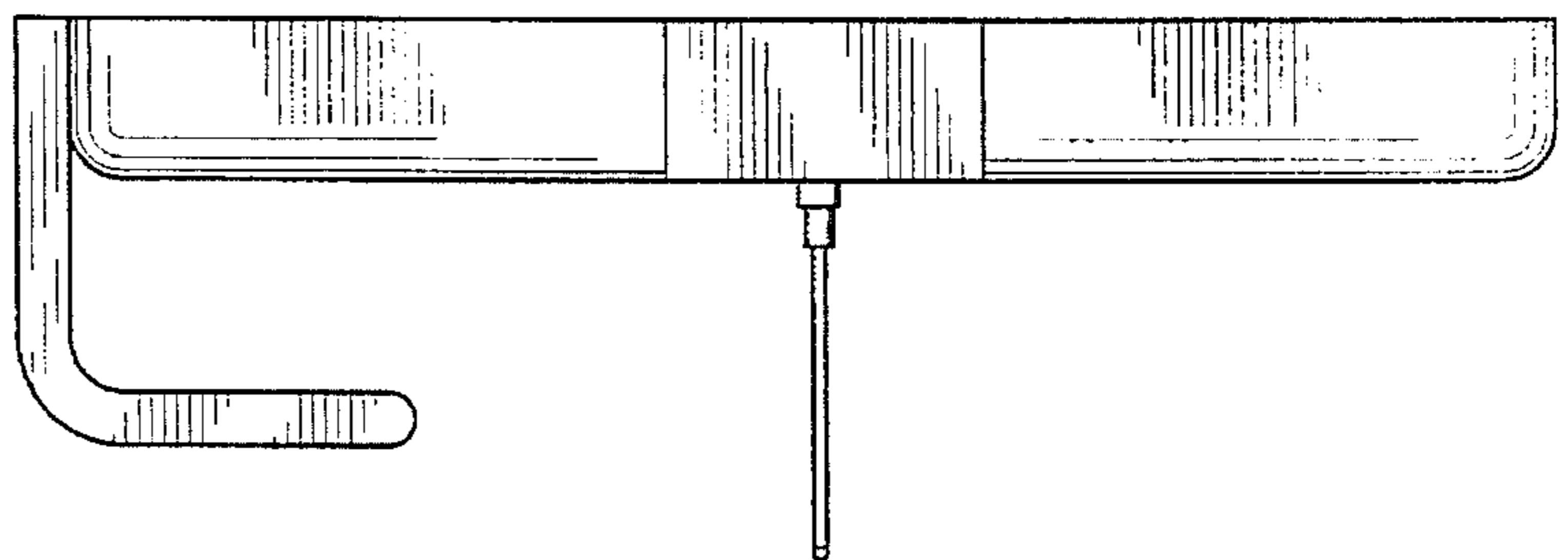


FIG. 5

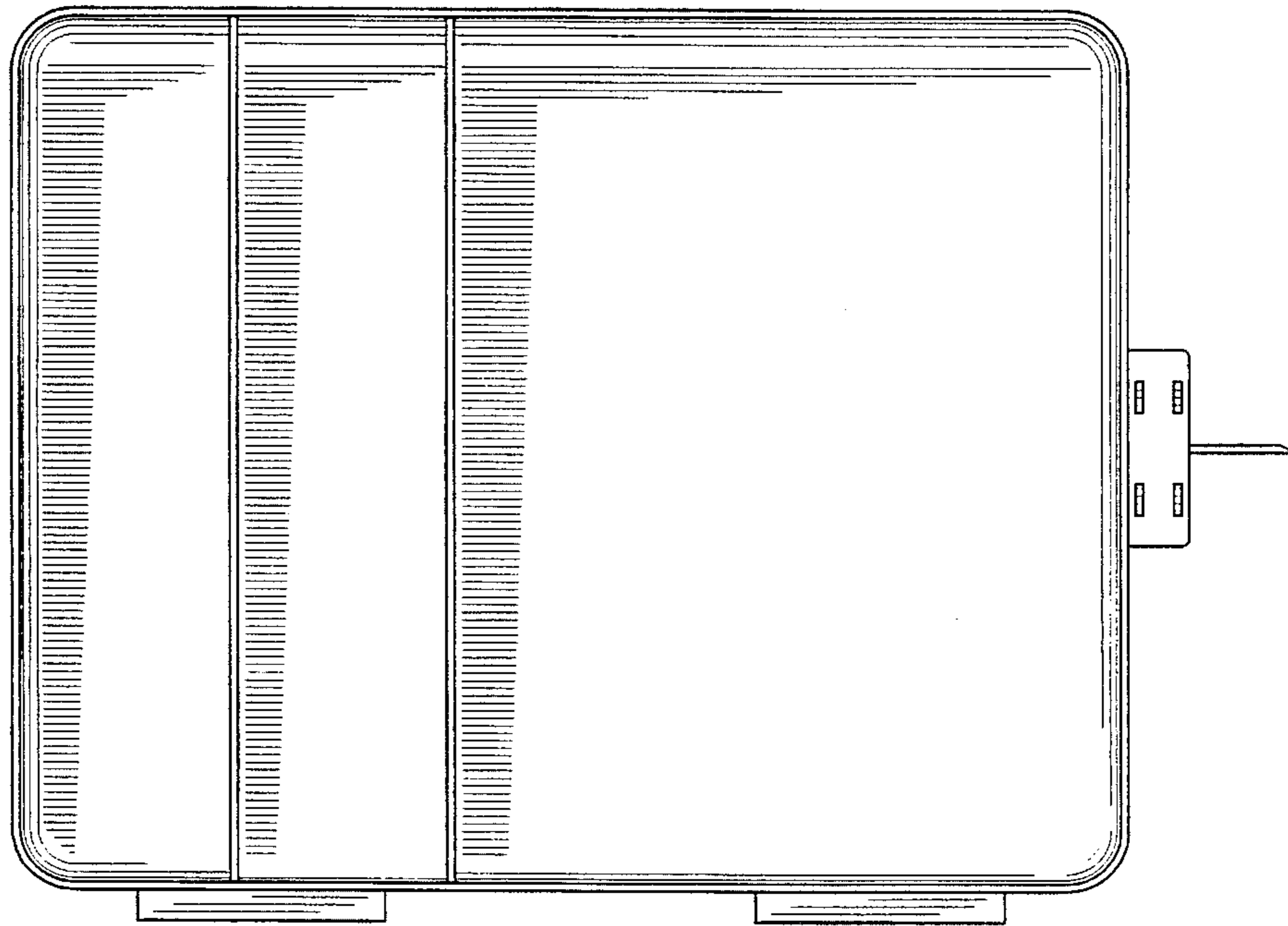


FIG. 6

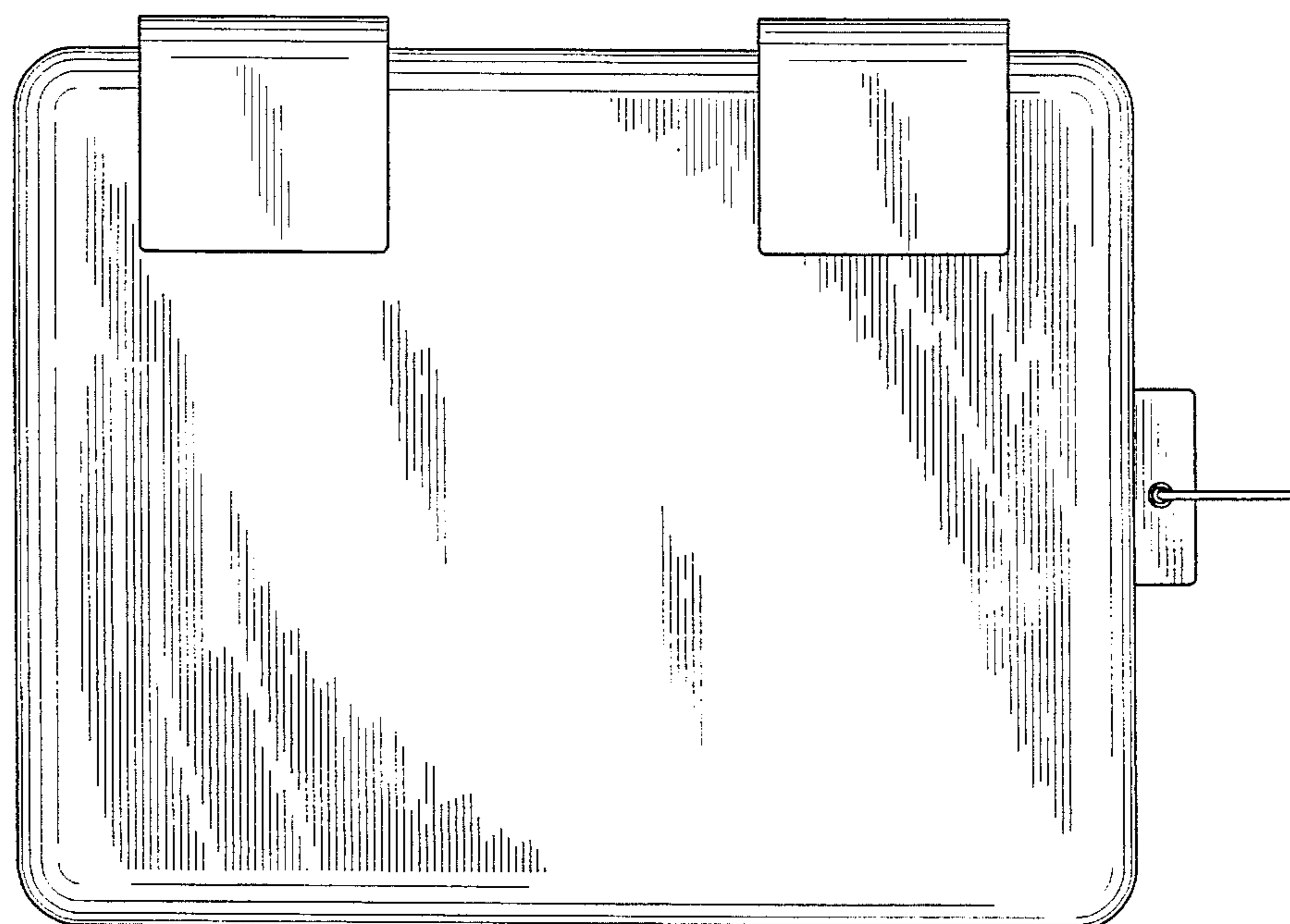


FIG. 7

