



US00D363988S

United States Patent [19] Dye

[11] Patent Number: **Des. 363,988**

[45] Date of Patent: ****Nov. 7, 1995**

[54] **CONNECTOR FOR APPLYING
COMPRESSIVE PRESSURE TO THE LEG**

4,982,736	1/1991	Schneider	285/137.1	X
5,219,185	6/1993	Oddenino	285/26	
5,233,974	8/1993	Senoue et al.	601/149	
5,342,285	8/1994	Dye	601/151	

[75] Inventor: **John F. Dye**, Bridgewater, Mass.

[73] Assignee: **The Kendall Company**, Mansfield, Mass.

Primary Examiner—Louis S. Zarfes
Assistant Examiner—I. Simmons
Attorney, Agent, or Firm—David J. Koris

[**] Term: **14 Years**

[57] **CLAIM**

[21] Appl. No.: **21,925**

The ornamental design for a connector for applying compressive pressure to the leg, as shown and described.

[22] Filed: **Apr. 26, 1994**

[52] U.S. Cl. **D24/129; D23/260**

DESCRIPTION

[58] **Field of Search** D24/129; D23/260;
601/148, 149, 151, 150, 152, 153; 285/305,
319, 26, 137.1, 137.2

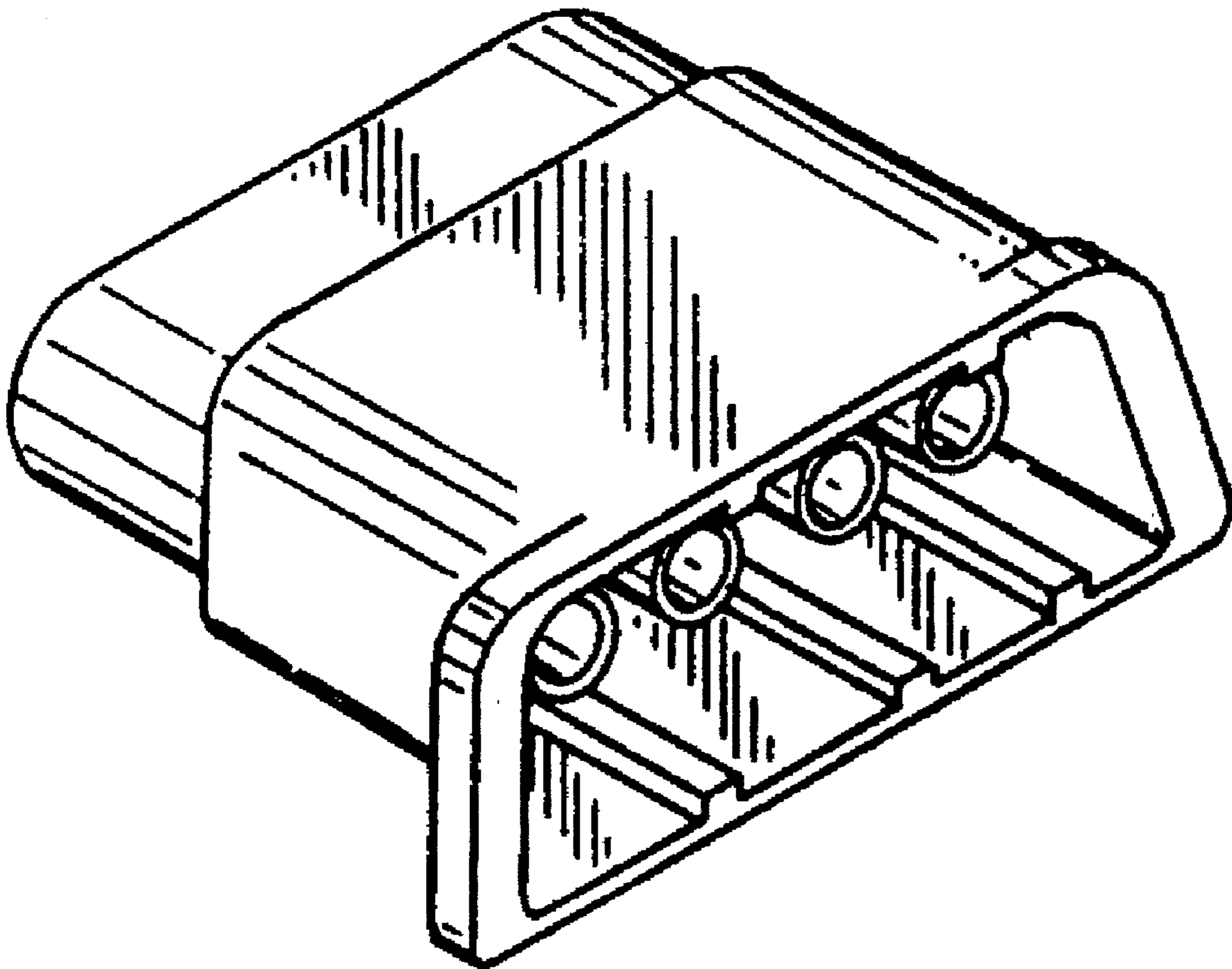
FIG. 1 is a perspective view;
FIG. 2 is a top plan view;
FIG. 3 is a front elevation view;
FIG. 4 is a bottom plan view;
FIG. 5 is a side elevational view, the opposite side elevational view being a mirror image; and,
FIG. 6 is a back elevation view.

[56] **References Cited**

U.S. PATENT DOCUMENTS

4,076,279	2/1978	Klotz et al.	285/305
4,804,208	2/1989	Dye	285/26
4,900,065	2/1990	Houck	285/137.1

1 Claim, 1 Drawing Sheet



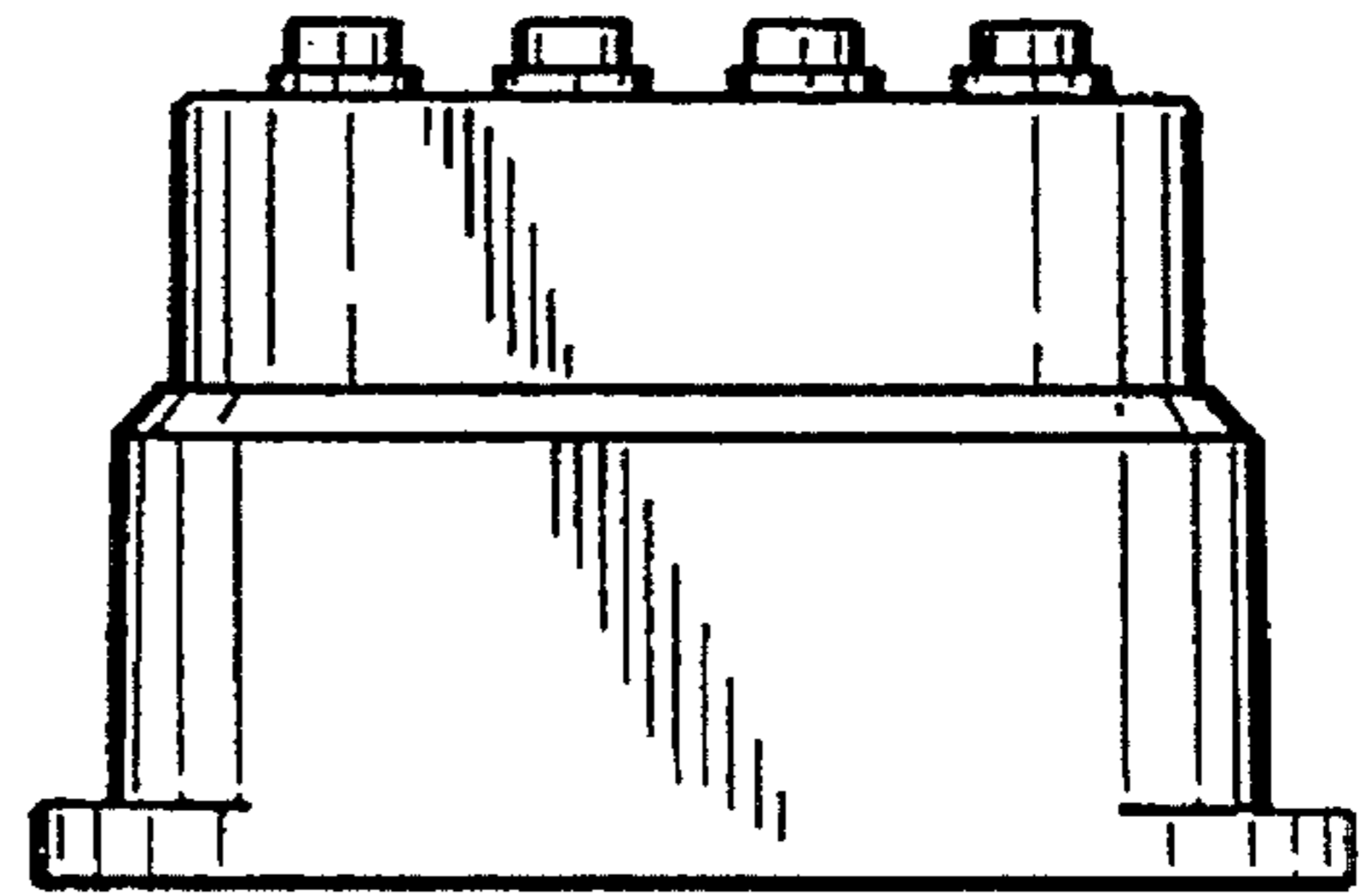


FIG. 2

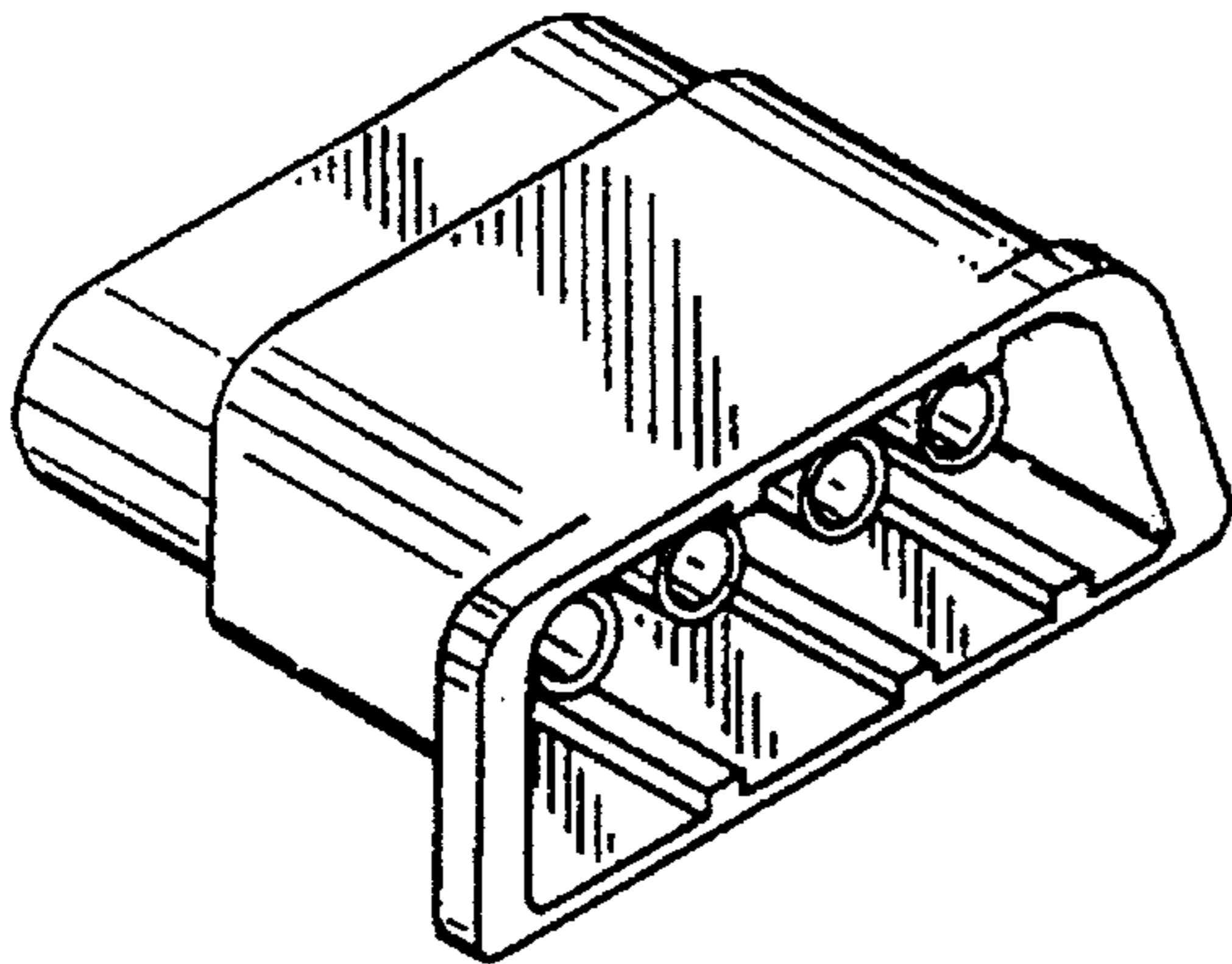


FIG. 1

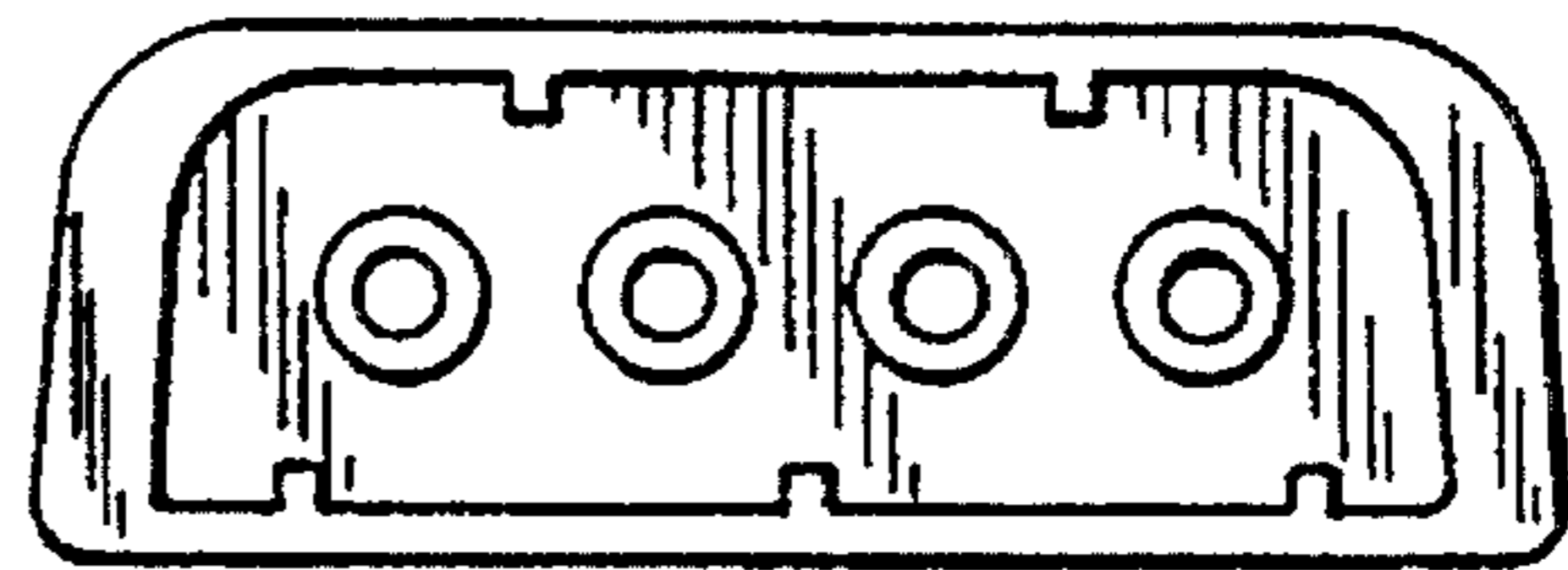


FIG. 3

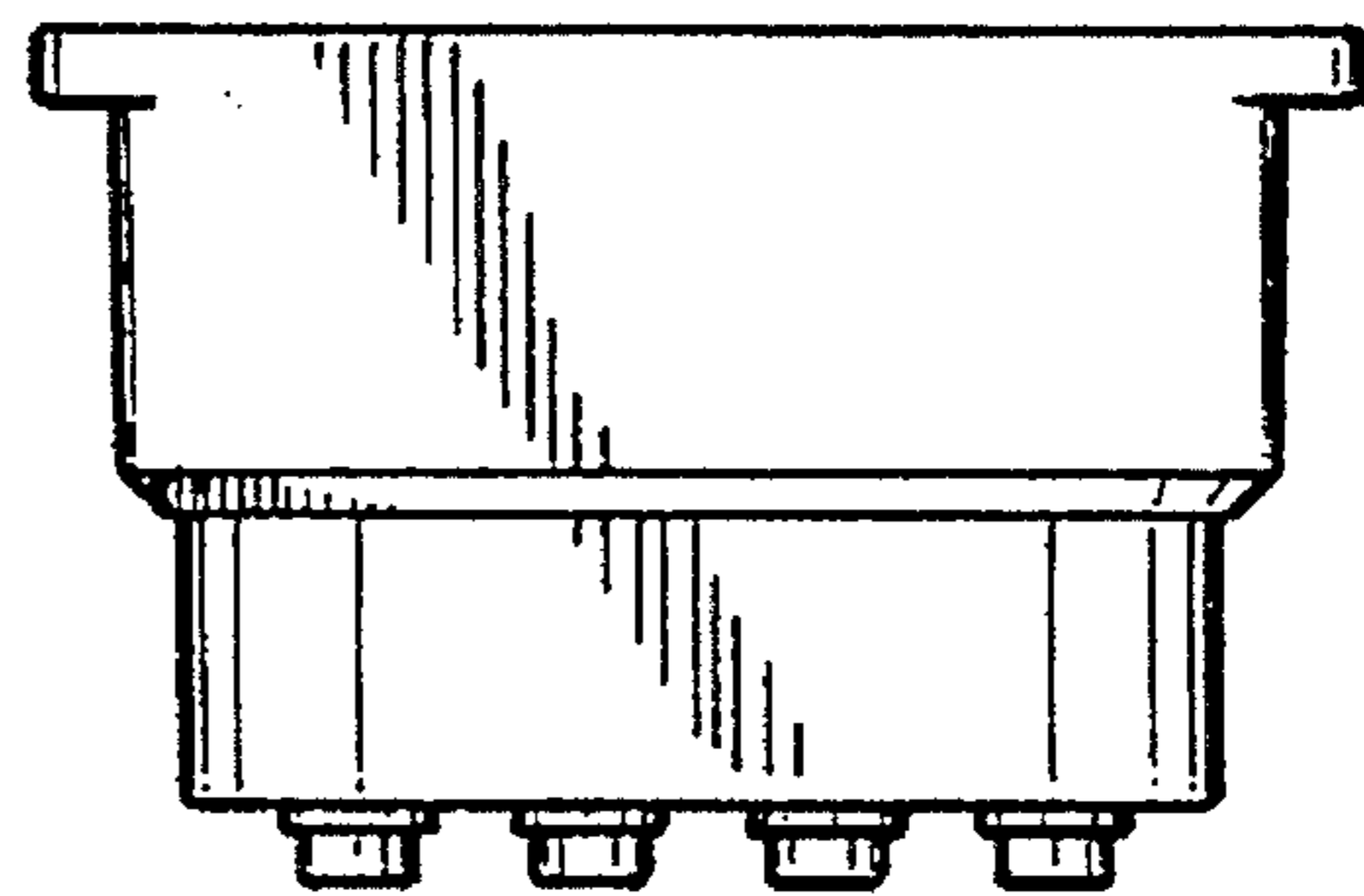


FIG. 4

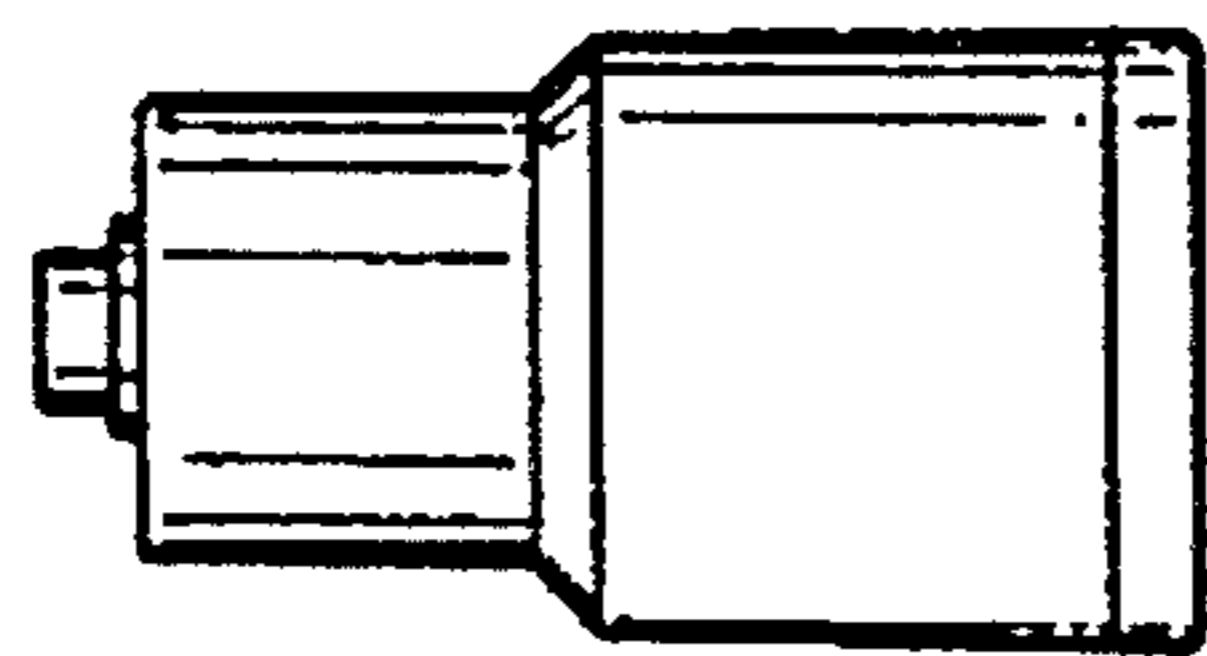


FIG. 5

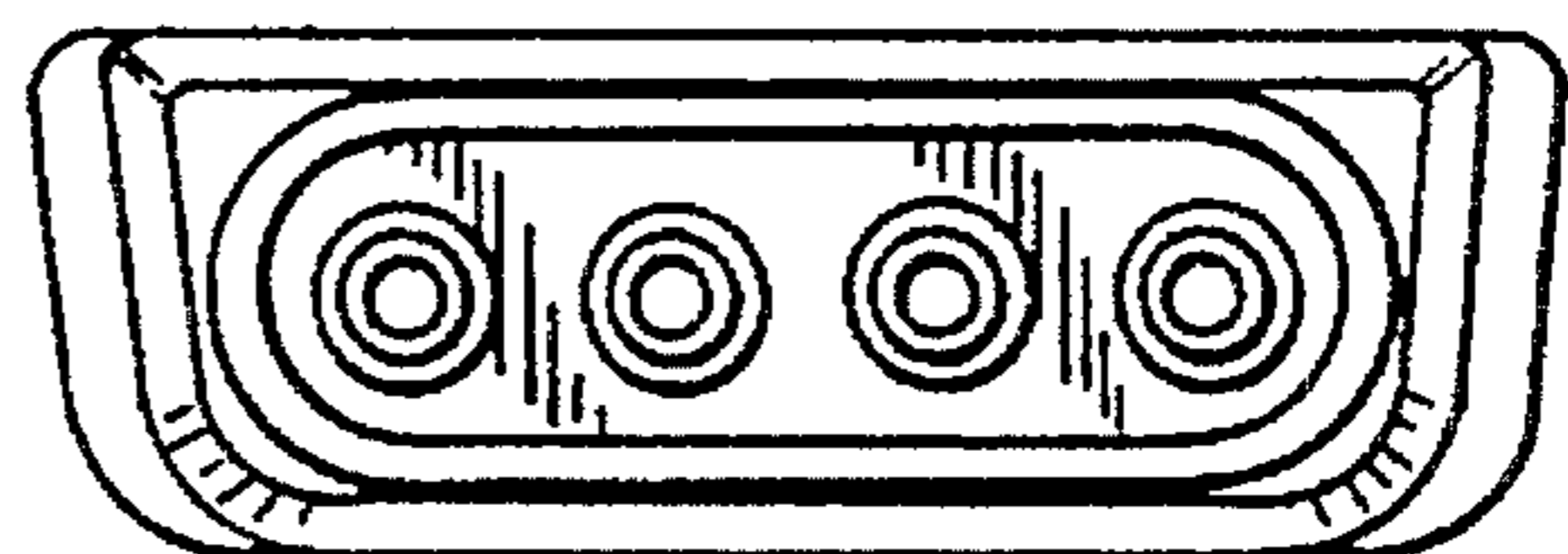


FIG. 6