



US00D363986S

**United States Patent** [19]  
**Pena**

[11] **Patent Number: Des. 363,986**  
[45] **Date of Patent: \*\*Nov. 7, 1995**

[54] **DENTAL SYRINGE**

FOREIGN PATENT DOCUMENTS

[76] Inventor: **Rigoberto Pena**, P.O. Box 900,  
Hidalgo, Tex. 78557

8105902 7/1983 Netherlands ..... 433/89

[\*\*] Term: **14 Years**

*Primary Examiner*—Kay H. Chin

[21] Appl. No.: **22,150**

[57] **CLAIM**

The ornamental design for a dental syringe, as shown and described.

[22] Filed: **May 2, 1994**

[52] U.S. Cl. .... **D24/114; D24/112; D24/176**

**DESCRIPTION**

[58] Field of Search ..... **D24/114, 111,  
D24/112, 113; 433/80, 81, 88, 89**

FIG. 1 is a front elevational view of the dental syringe showing my new design;

FIG. 2 is a rear elevational view thereof;

FIG. 3 is a left side elevational view thereof;

FIG. 4 is a right side elevational view thereof;

FIG. 5 is a top plan view thereof;

FIG. 6 is a bottom plan view thereof;

FIG. 7 is an exploded front elevational view thereof; and,

FIG. 8 is a top and front perspective view thereof.

[56] **References Cited**

**U.S. PATENT DOCUMENTS**

D. 223,079	3/1972	Trupp .....	D24/114
2,142,780	1/1939	Fortney .....	433/90
4,784,607	11/1988	Francois .....	433/89
4,997,371	3/1991	Fischer .....	433/90
5,286,257	2/1994	Fischer .....	433/90

**1 Claim, 5 Drawing Sheets**

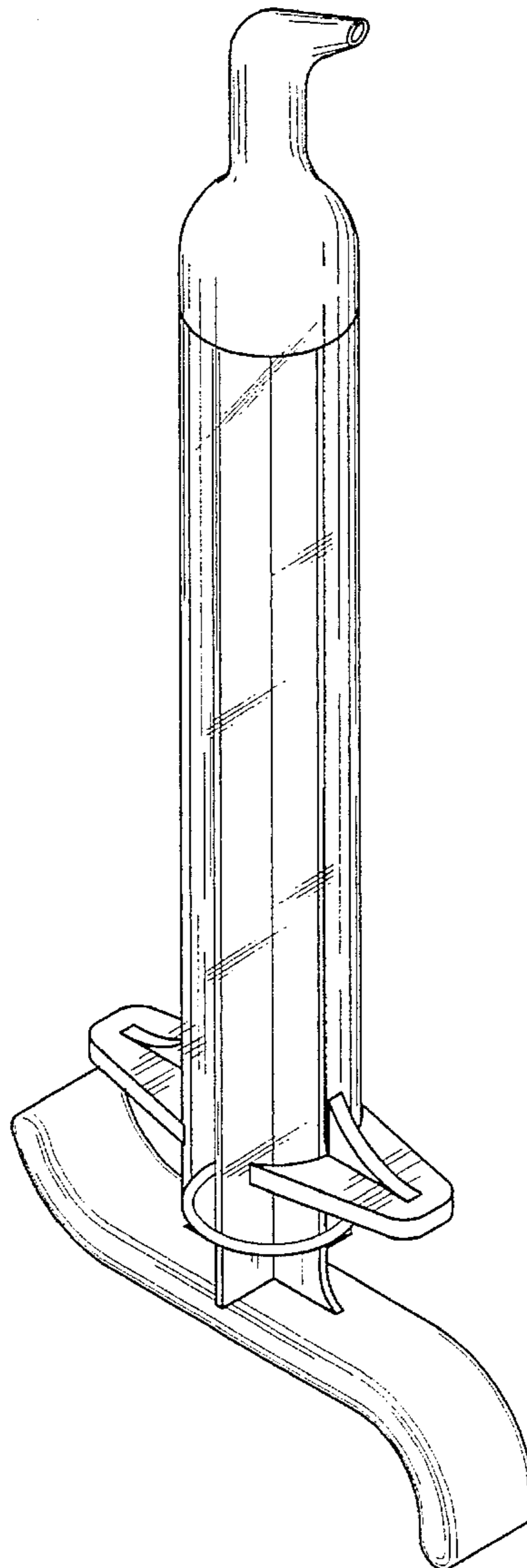


FIG. 1

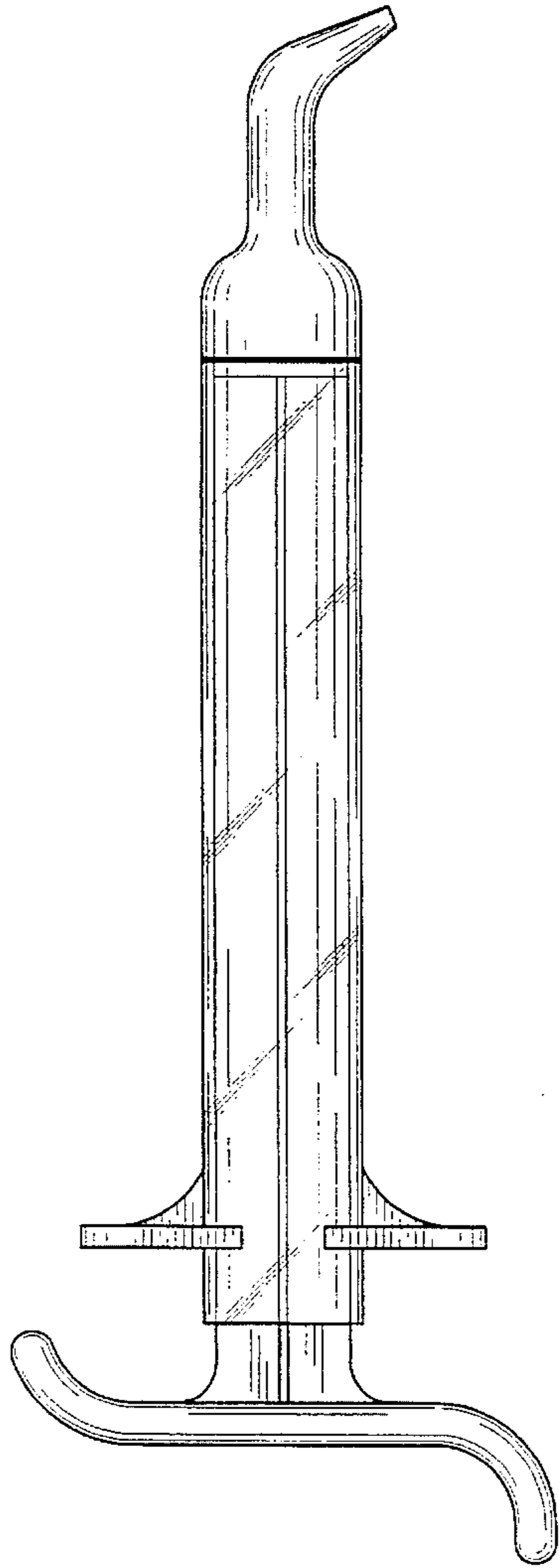


FIG. 2

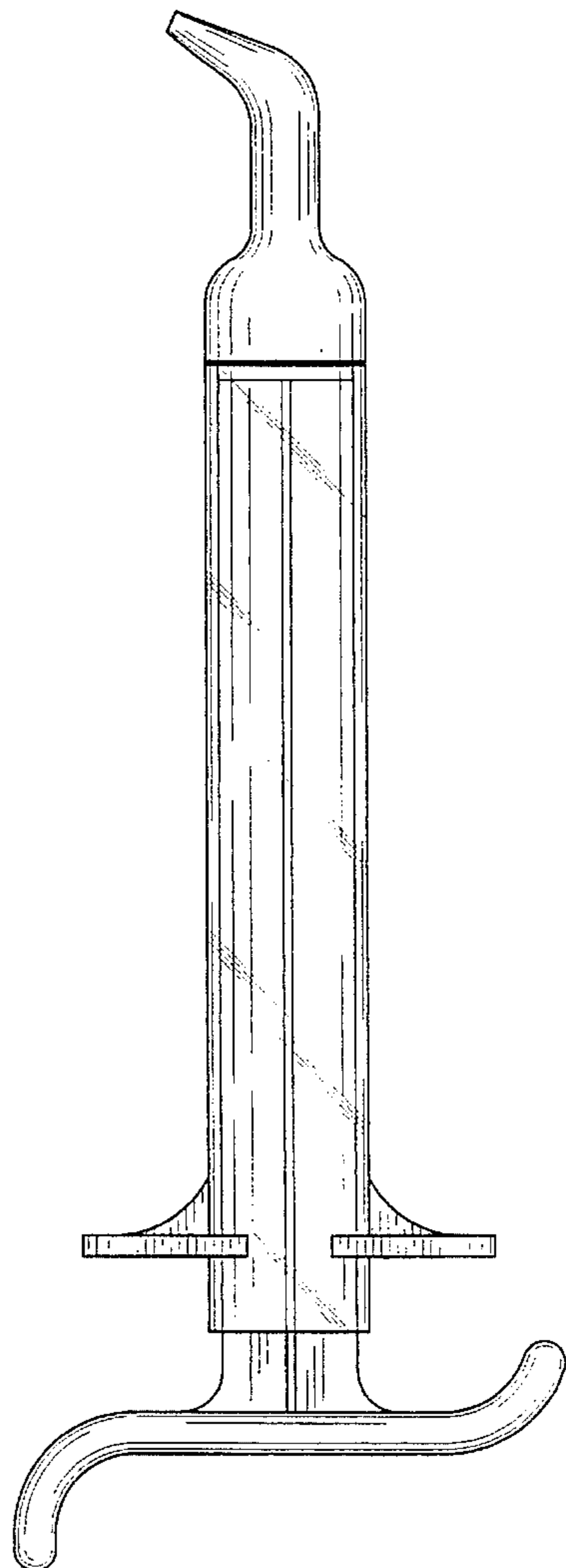


FIG. 3

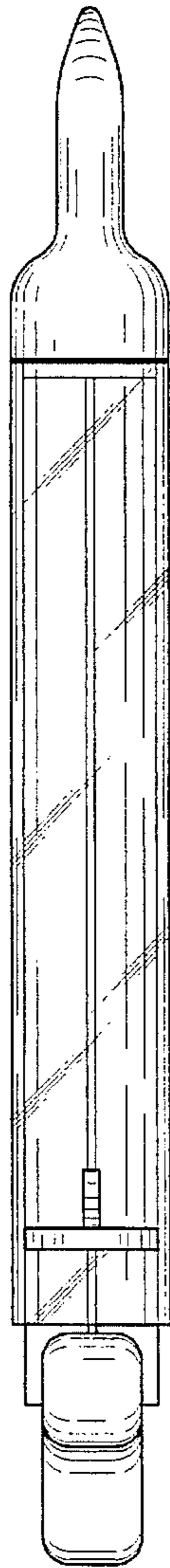
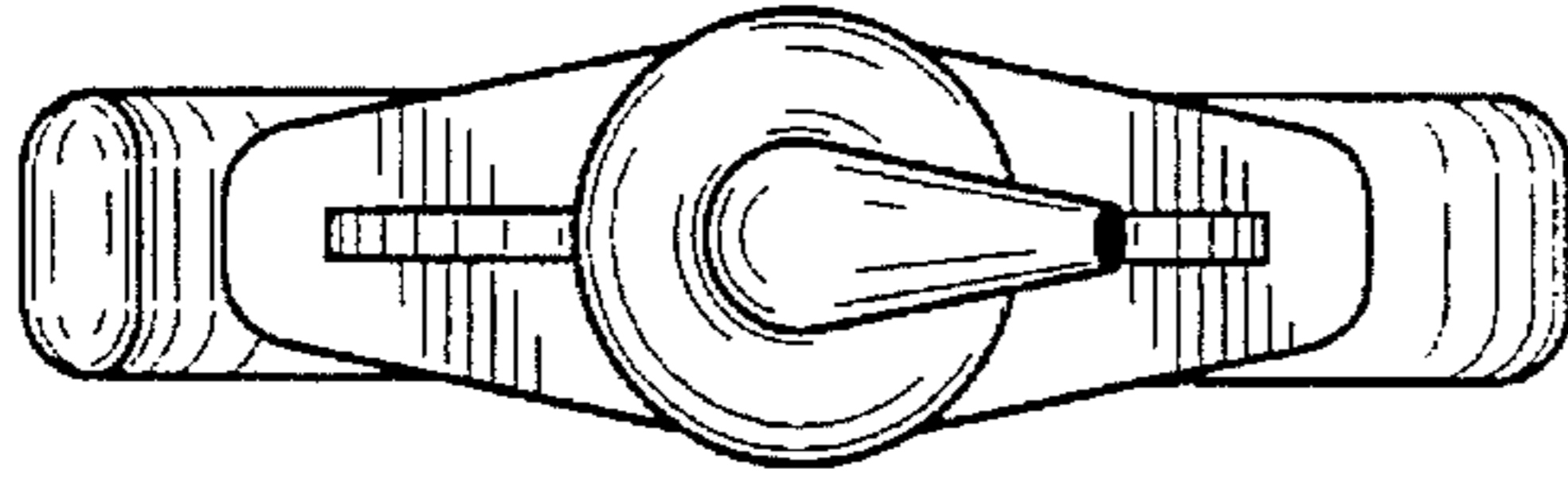


FIG. 4



*FIG. 5*



*FIG. 6*

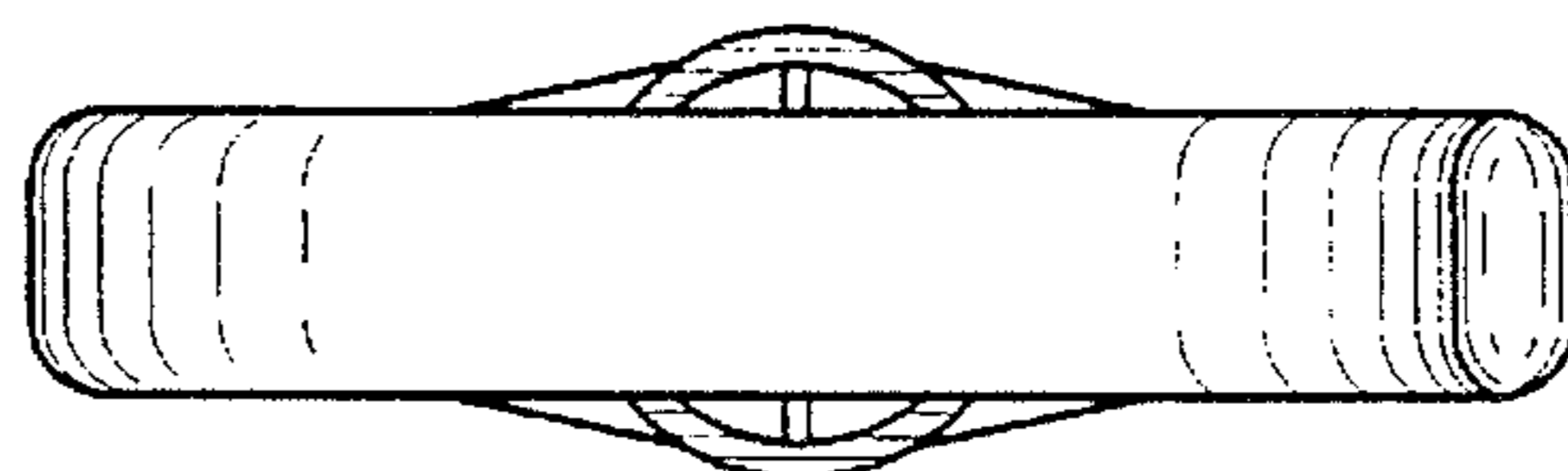


FIG. 7

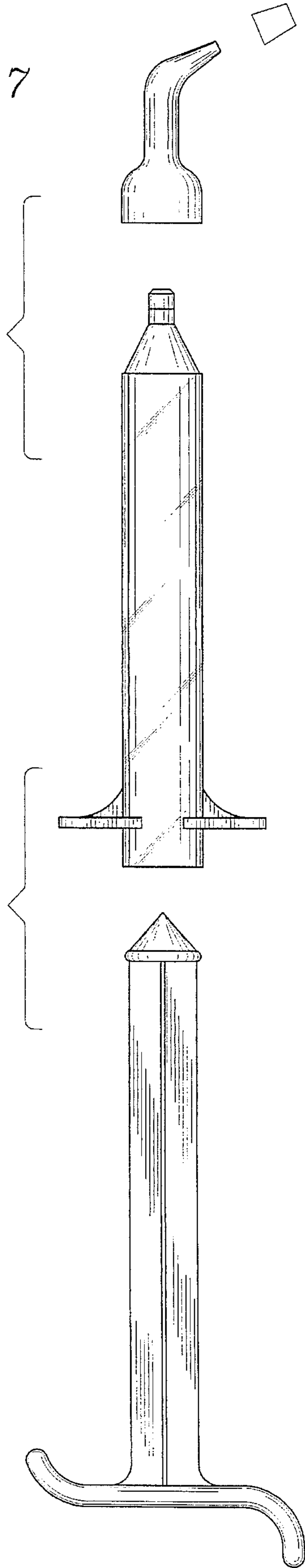


FIG. 8

