



US00D363985S

United States Patent [19]

[11] Patent Number: **Des. 363,985**

Van Hovel et al.

[45] Date of Patent: ****Nov. 7, 1995**

[54] **PORTABLE ORAL AND DENTAL SPRAYER**

Ascolillo

[76] Inventors: **Dale J. Van Hovel; Julie M. Van Hovel**, both of 515 Woodside Way, Susanville, Calif. 96130

[57] **CLAIM**

The ornamental design for a portable oral and dental sprayer, as shown and described.

[**] Term: **14 Years**

DESCRIPTION

[21] Appl. No.: **13,346**

FIG. 1 is a perspective view of a portable oral and dental sprayer showing our new design;

[22] Filed: **Sep. 23, 1993**

FIG. 2 is a perspective view thereof, showing the sprayer in an exploded condition;

[52] U.S. Cl. **D24/111; D9/521; D7/511**

FIG. 3 is a right side elevational view, the left side view being a mirror image of that shown;

[58] Field of Search **D24/176, 111; 433/89, 88, 80; D9/521, 500, 503; D7/511, 500**

FIG. 4 is a front elevational view of FIG. 2, the rear view being a mirror image of that shown except for the stem assembly thereof;

[56] References Cited

U.S. PATENT DOCUMENTS

D. 85,279	10/1931	Brooke	D9/521
D. 304,231	10/1989	Stream	D24/111
3,391,696	7/1968	Woodward	433/89
3,487,828	1/1970	Troy	D24/111
5,297,962	3/1994	O'Connor et al.	433/89

FIG. 5 is a top plan view with the lid and stem assembly removed;

FOREIGN PATENT DOCUMENTS

4020029	1/1991	Germany	433/89
2237743	5/1991	United Kingdom	433/89

FIG. 6 is a bottom plan view of the lid and stem assembly thereof;

FIG. 7 is a top plan view thereof;

FIG. 8 is a rear elevational view of the stem assembly excepted in the thereof;

FIG. 9 is a bottom plan view thereof;

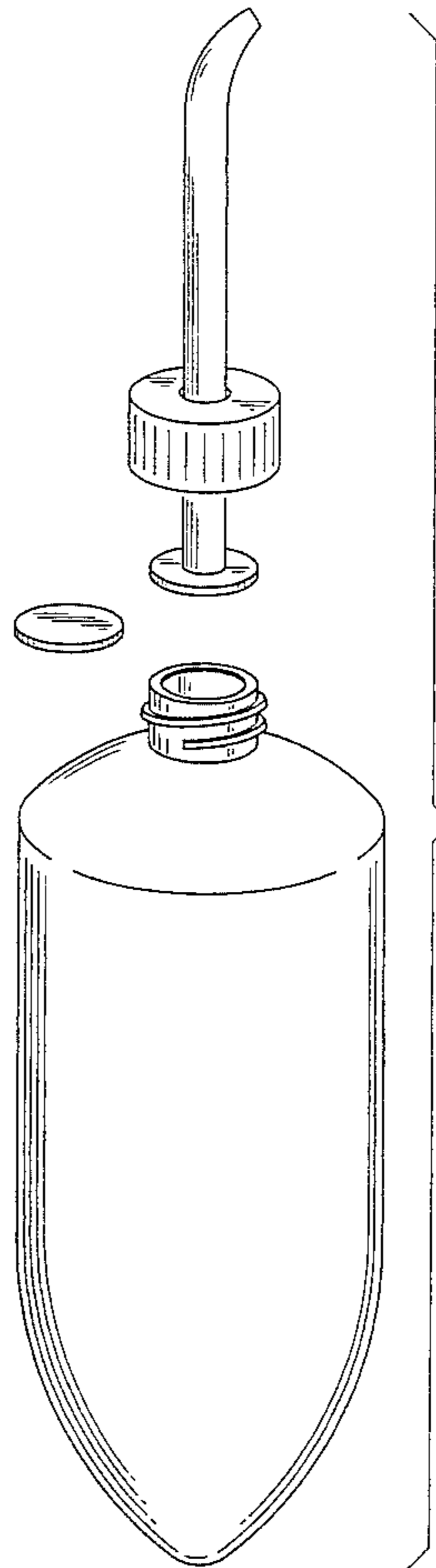
FIG. 10 is a top plan view thereof in its storage condition; and,

FIG. 11 is a perspective view thereof.

Primary Examiner—**Kay H. Chin**

Attorney, Agent, or Firm—**David L. Baker; Rhodes &**

1 Claim, 3 Drawing Sheets



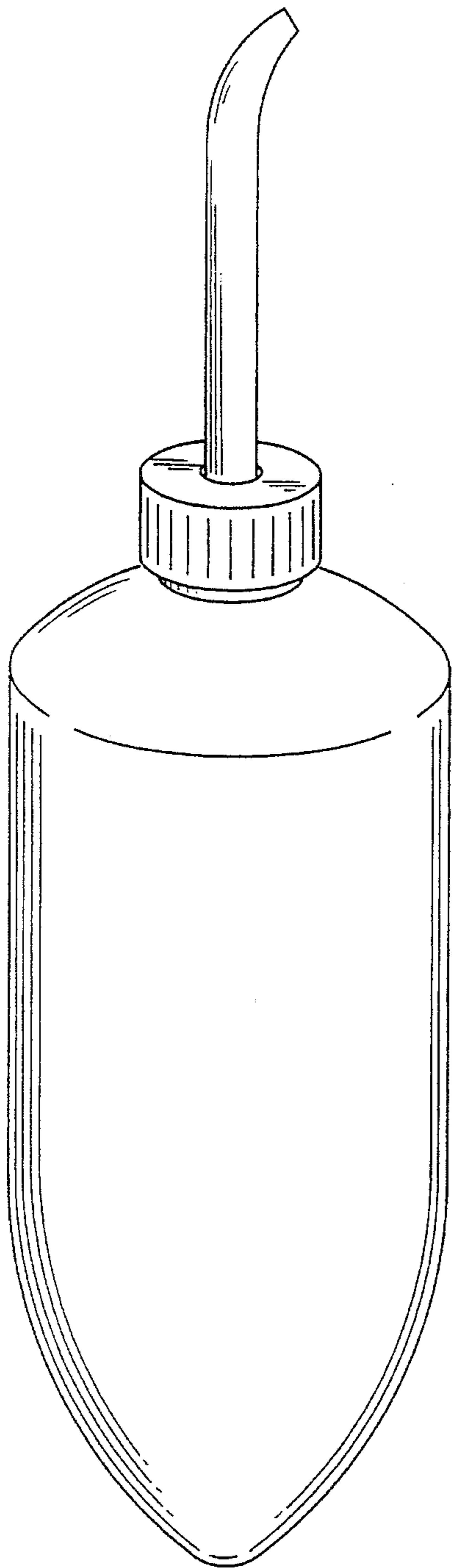


FIG. 1

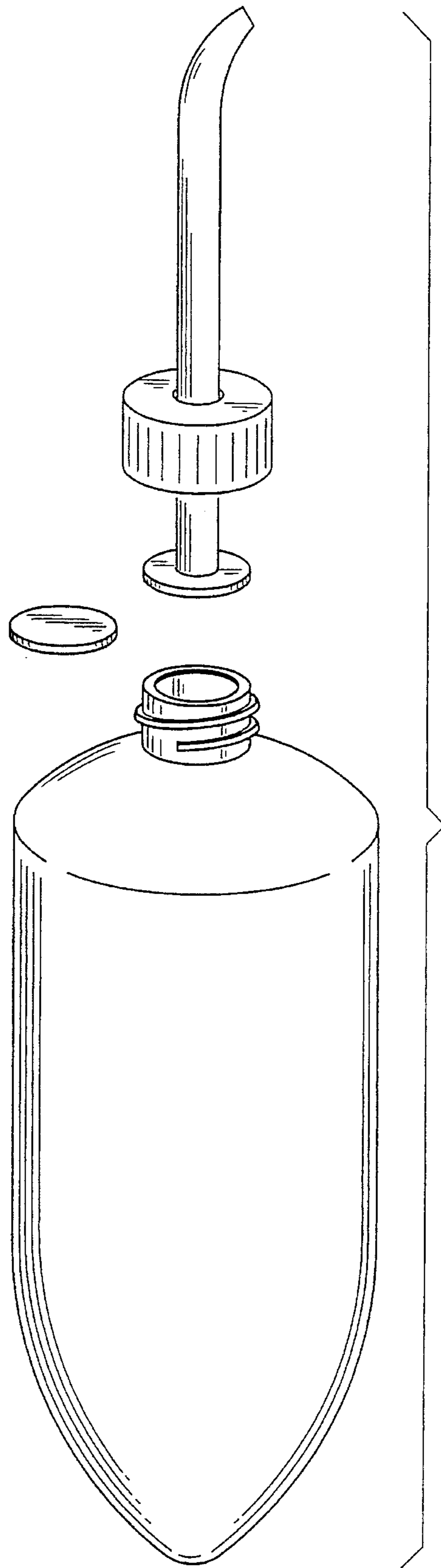


FIG. 2

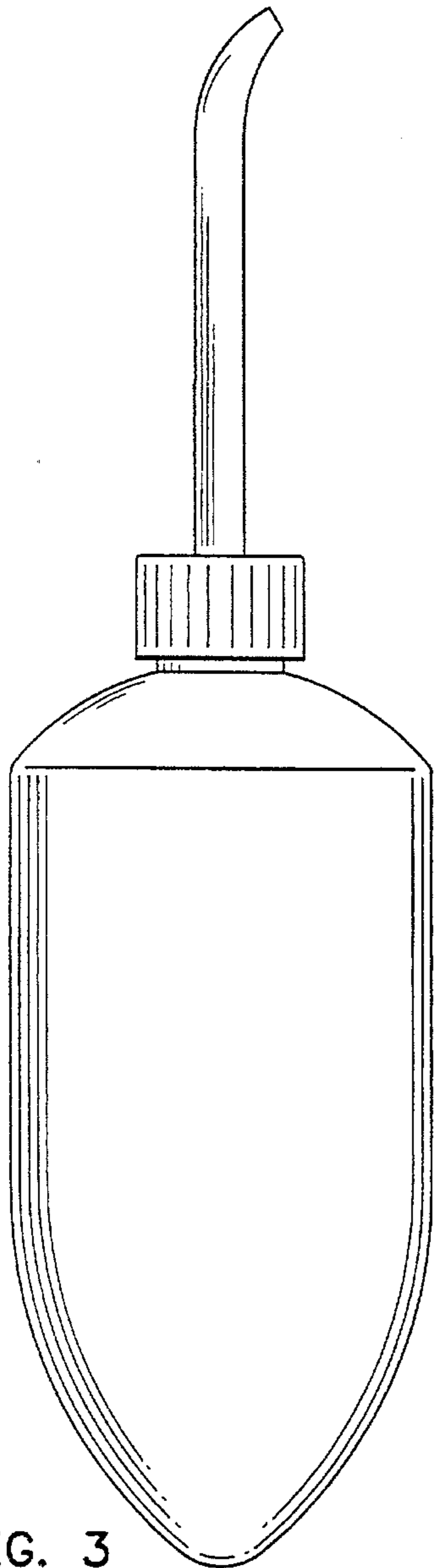


FIG. 3



FIG. 8

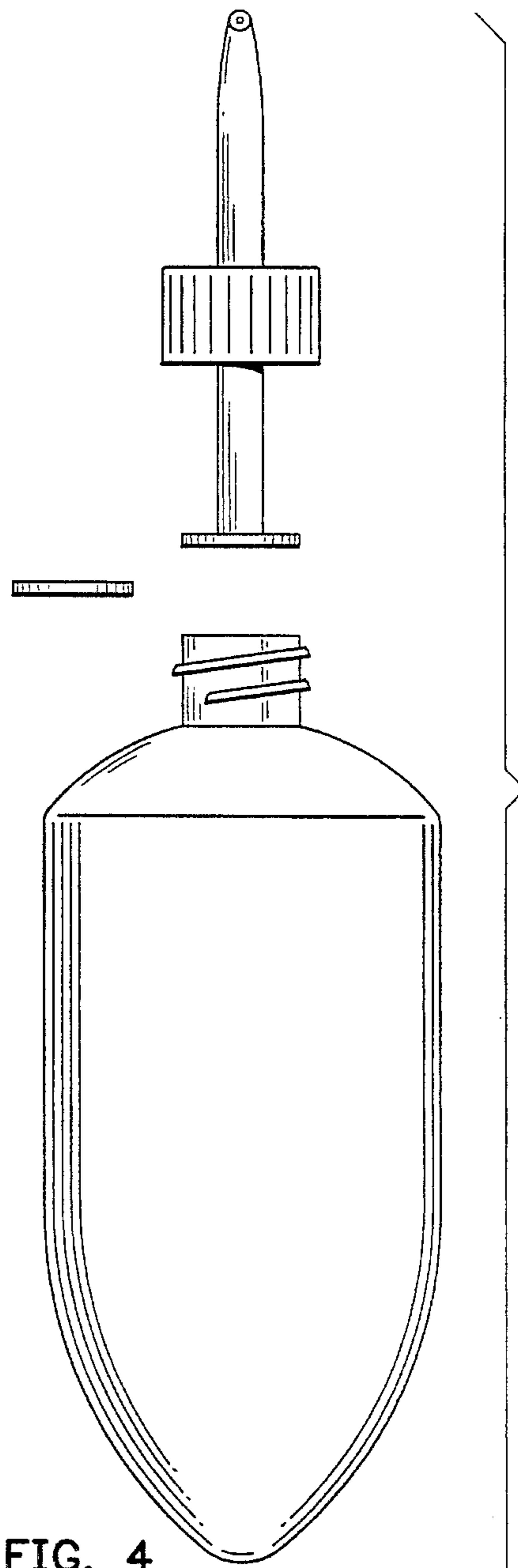


FIG. 4

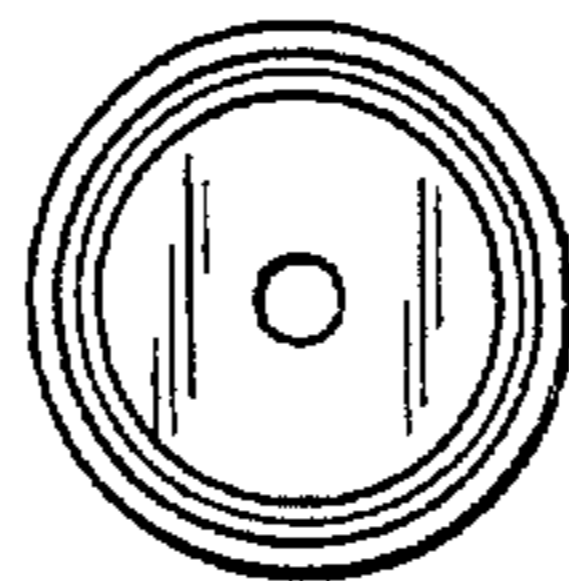


FIG. 6

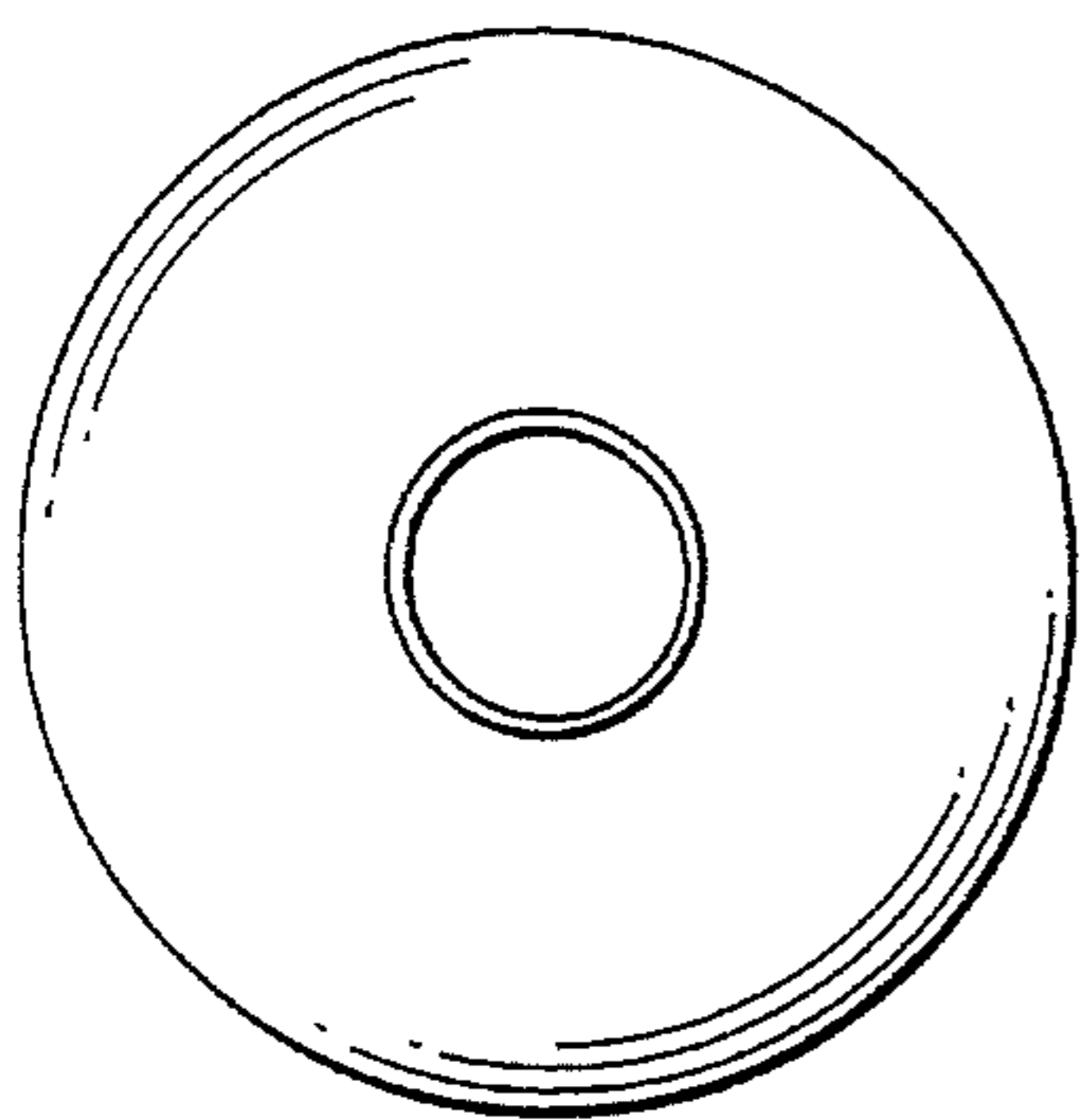


FIG. 5

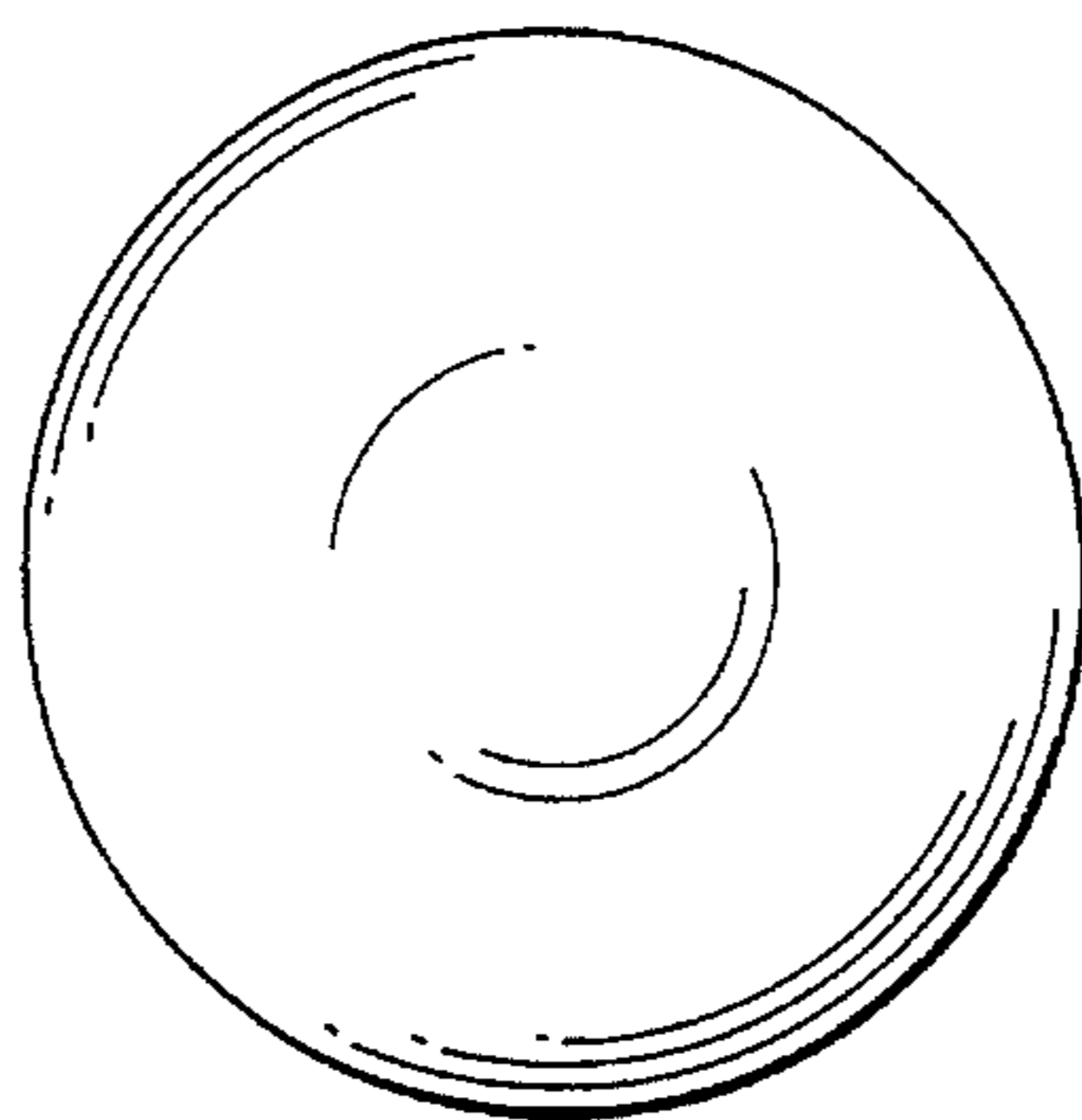


FIG. 9

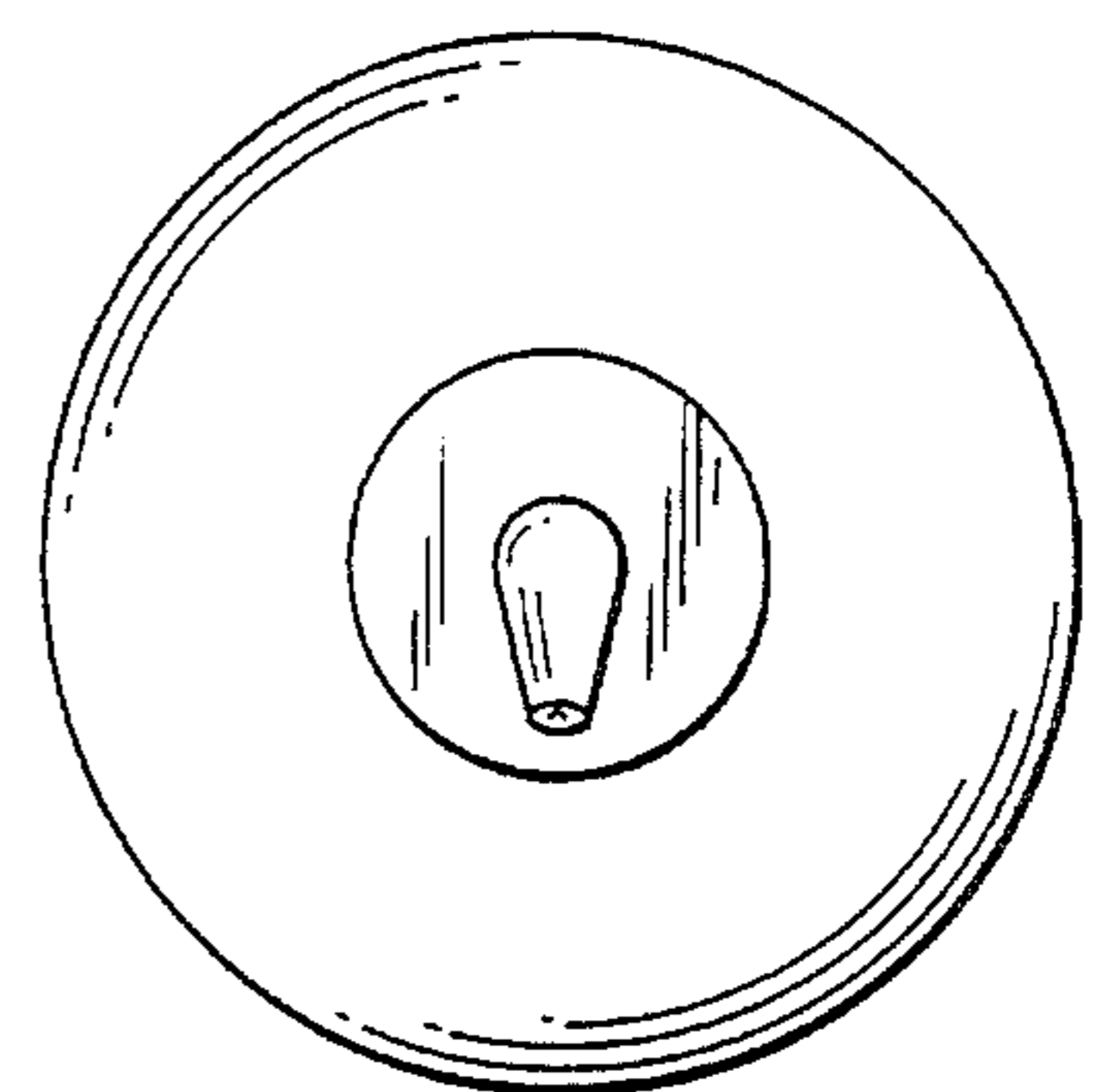


FIG. 7

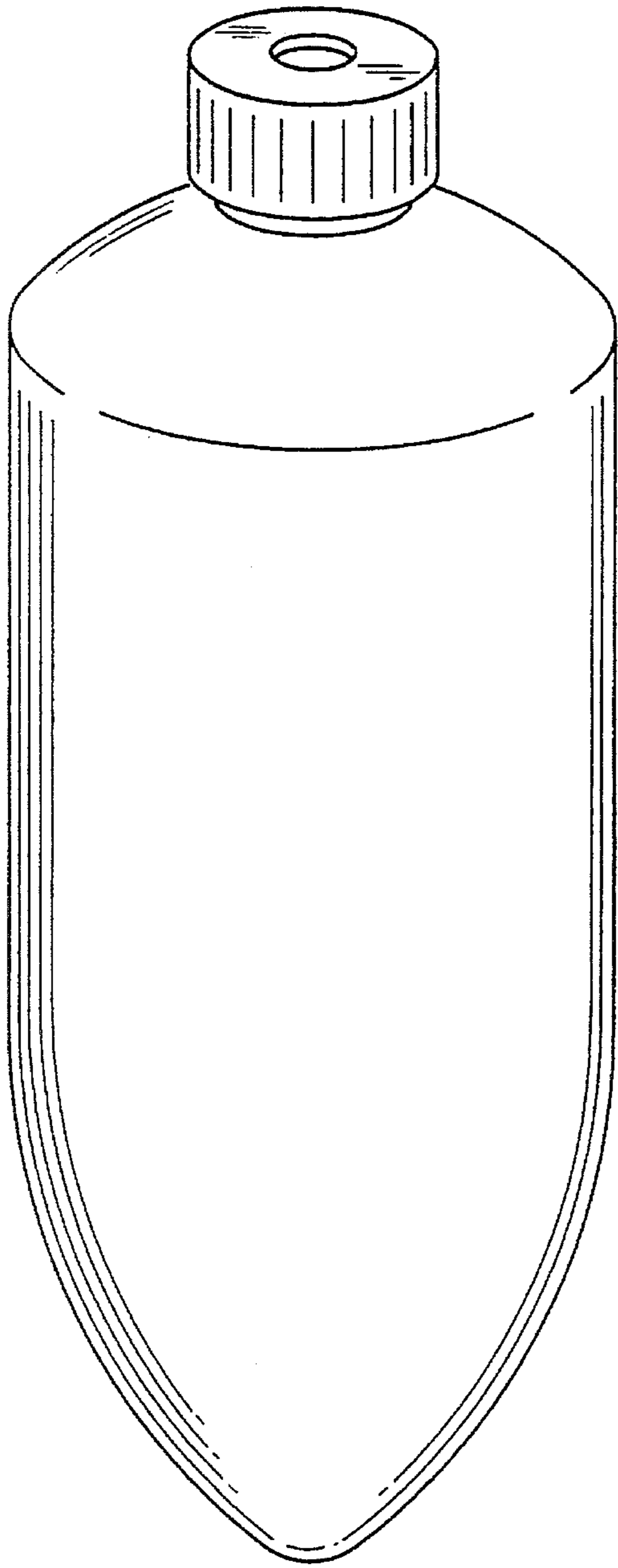


FIG. 11

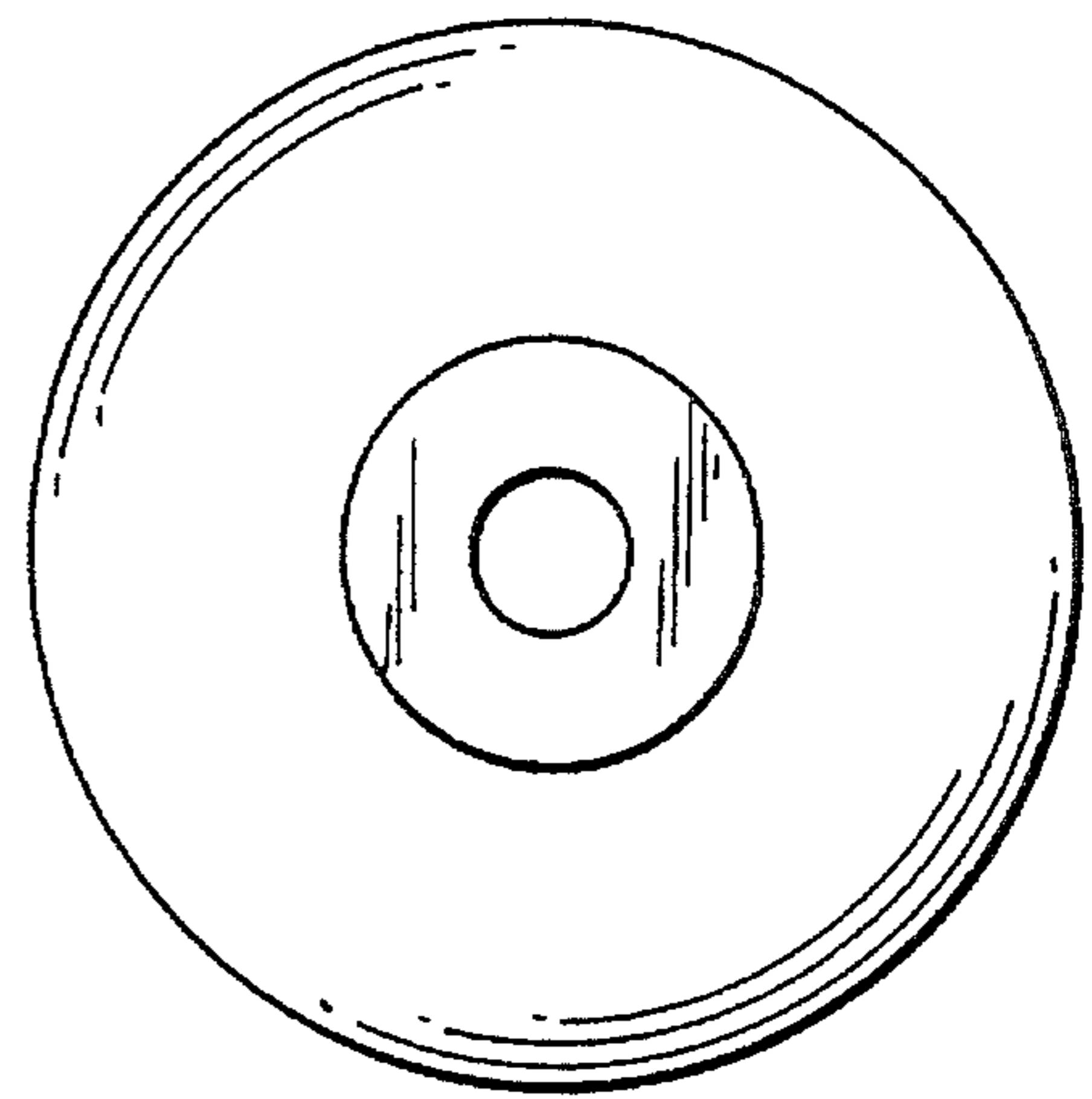


FIG. 10