



US00D363984S

United States Patent [19] Smick

[11] **Patent Number:** **Des. 363,984**
[45] **Date of Patent:** ****Nov. 7, 1995**

[54] **LEVER FOR VACUTUBE PUNCTURE**

[76] Inventor: **Ronald H. Smick**, 1245 U.S. 6 East,
Ottawa, Ill. 61350

[**] Term: **14 Years**

[21] Appl. No.: **23,903**

[22] Filed: **Jun. 2, 1994**

[52] U.S. Cl. **D24/108; D24/113; D24/128;**
D24/130

[58] **Field of Search** D24/112, 130,
D24/133; 128/763, 764, 765; 604/243,
187, 241, 242, 240

[56] **References Cited**

U.S. PATENT DOCUMENTS

D. 284,306	6/1986	Moore, Jr.	D24/130
D. 289,435	4/1987	Fischione	D24/130
2,727,517	12/1955	Wilkin .	
3,528,404	9/1970	Chan .	
4,192,320	3/1980	Megahed	128/764
4,787,891	11/1988	Levin et al. .	
4,822,343	4/1989	Beiser .	

4,976,271	12/1990	Blair	128/763 X
4,986,278	1/1991	Ravid et al. .	
5,086,780	2/1992	Schmitt .	
5,201,716	4/1993	Richard .	
5,254,312	10/1993	Staebler et al.	128/765 X

Primary Examiner—Lou Zarfaz
Assistant Examiner—I. Simmons
Attorney, Agent, or Firm—Richard C. Litman

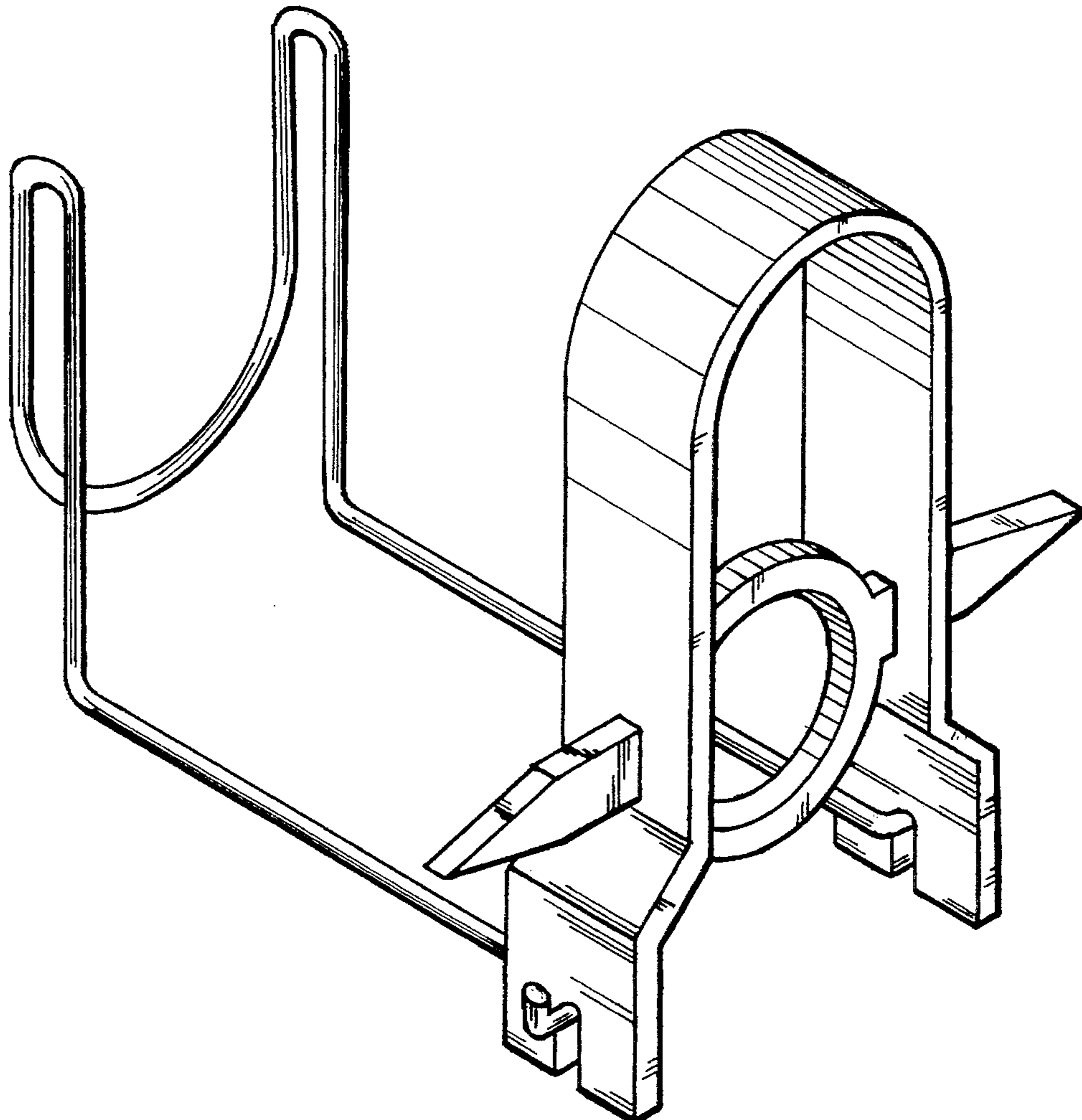
[57] **CLAIM**

The ornamental design for a lever for vacutube puncture, as shown and described.

DESCRIPTION

FIG. 1 is a perspective view in enlarged scale of a lever for vacutube puncture showing my new design; FIG. 2 is a front elevational view thereof; FIG. 3 is a rear elevational view thereof; FIG. 4 is a top plan view thereof; FIG. 5 is a left side elevational view thereof, with the right side being a mirror image; and, FIG. 6 is a bottom plan view thereof.

1 Claim, 2 Drawing Sheets



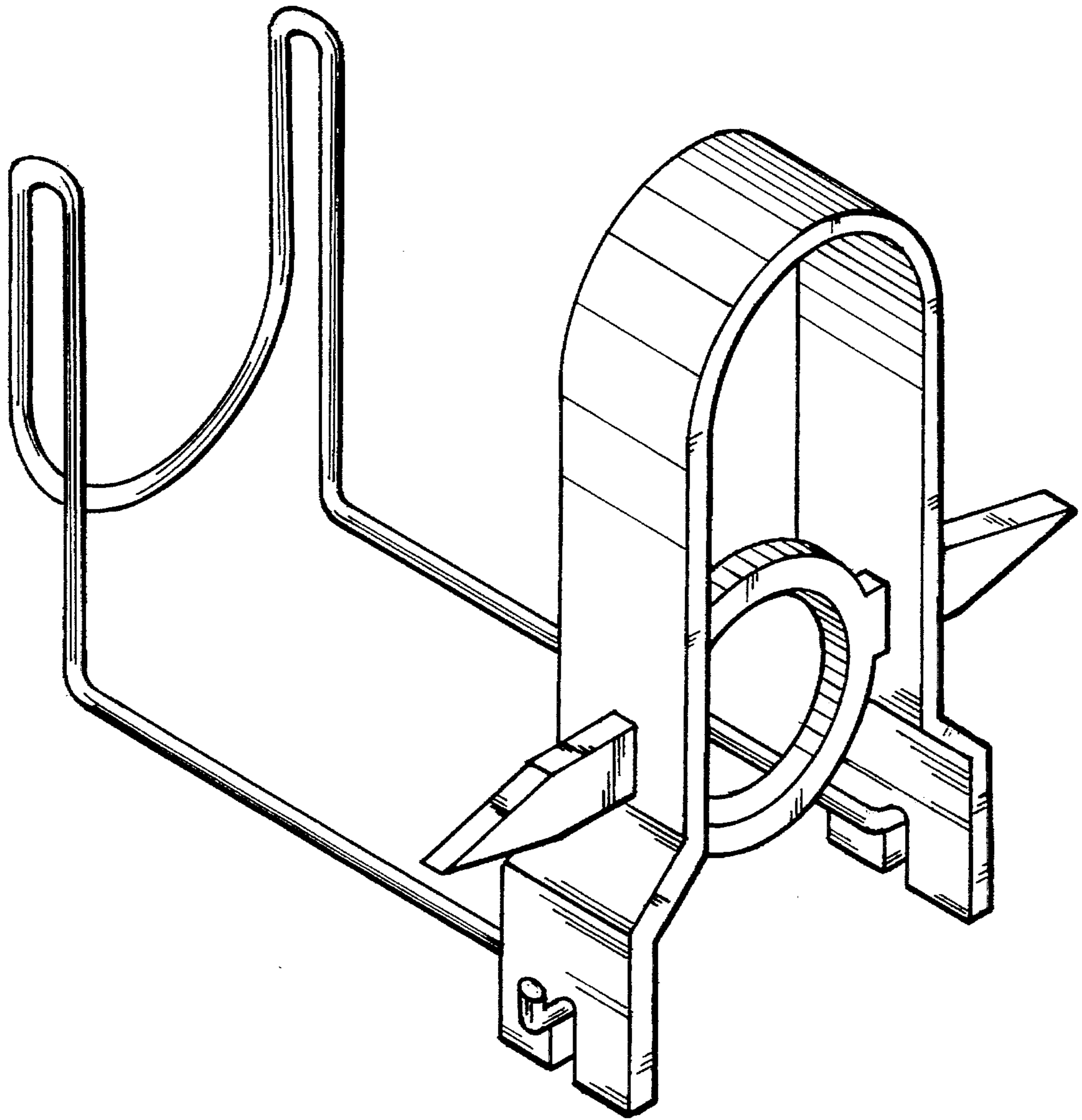


FIG. 1

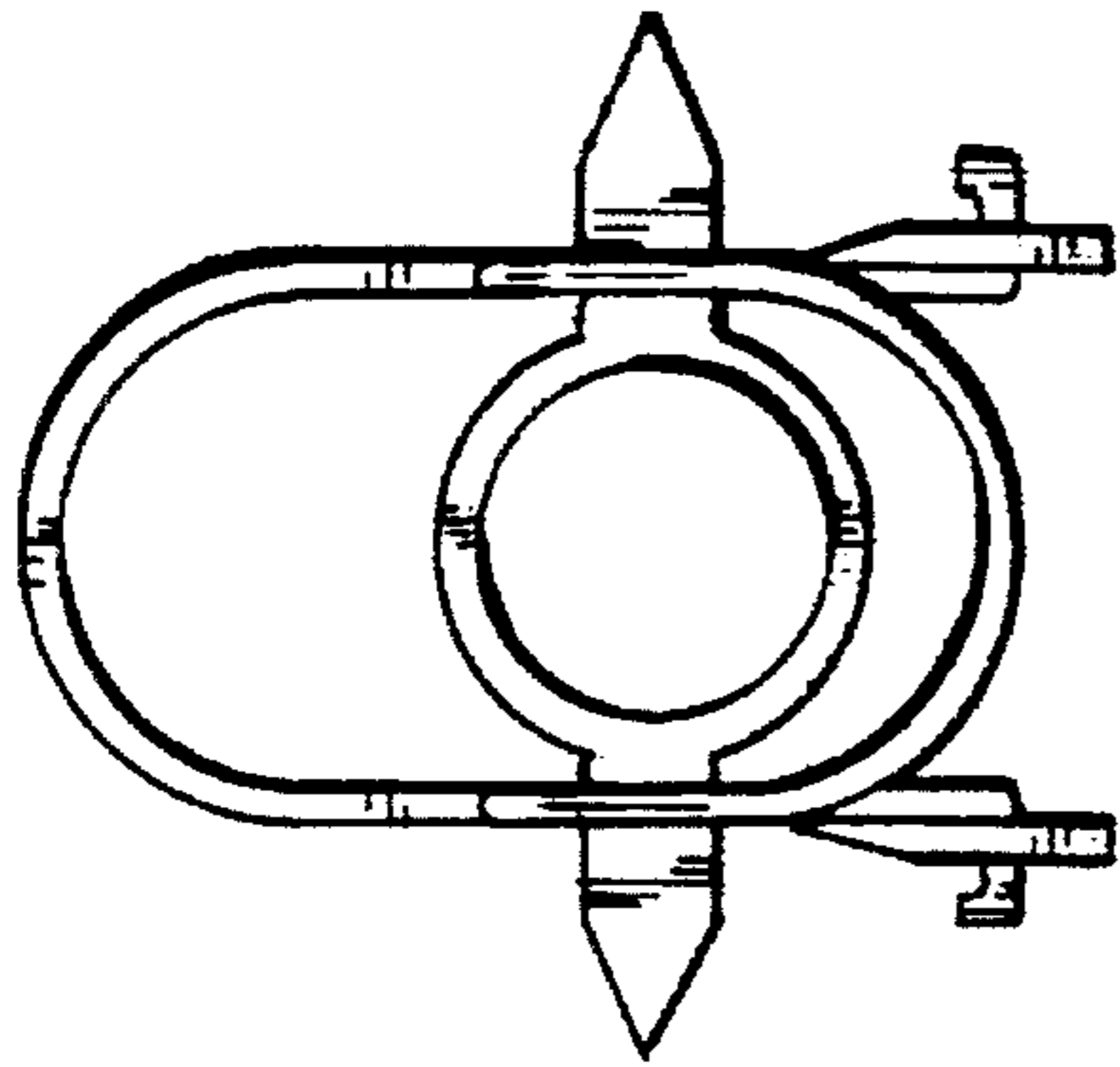


FIG. 2

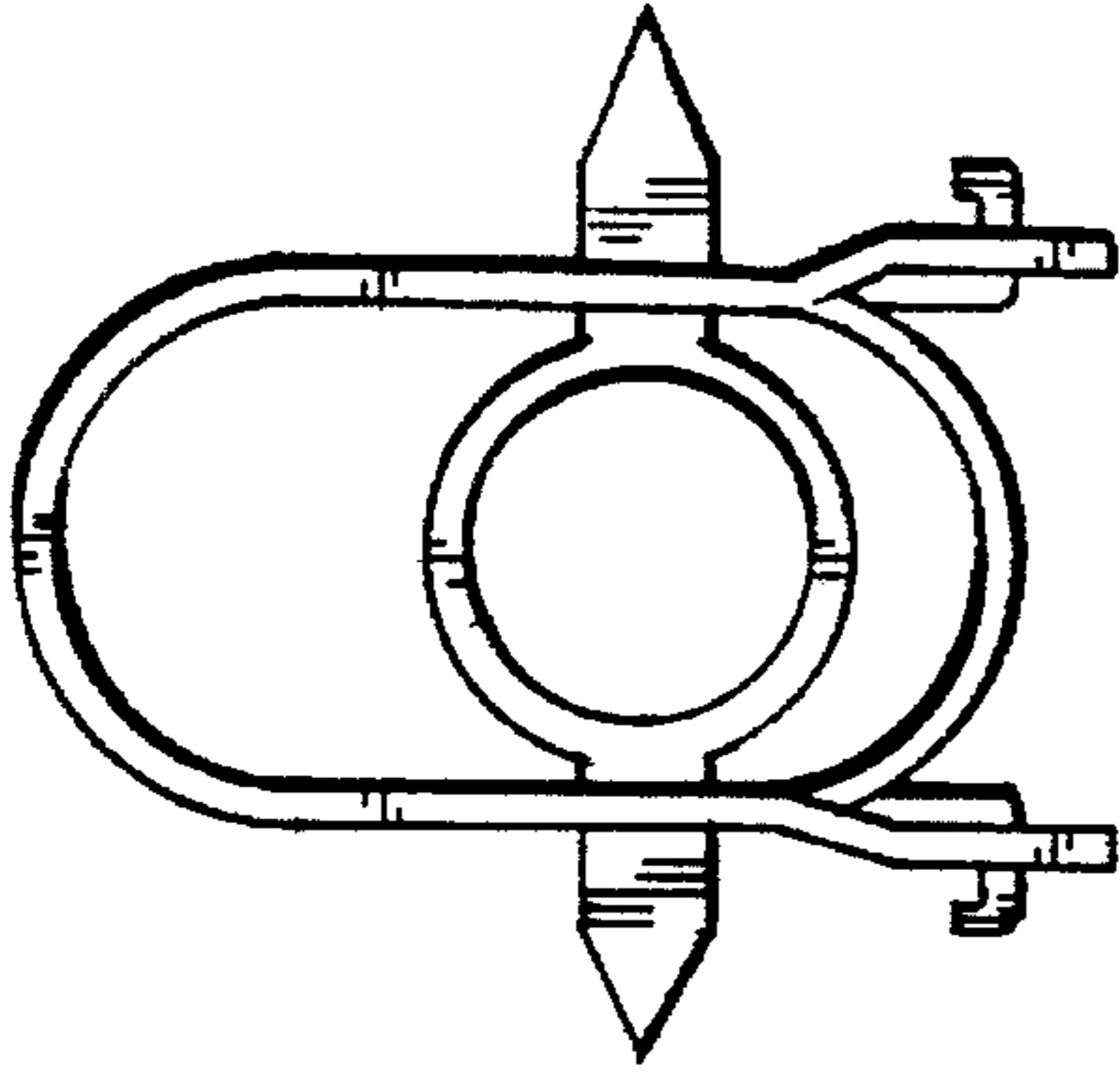


FIG. 3

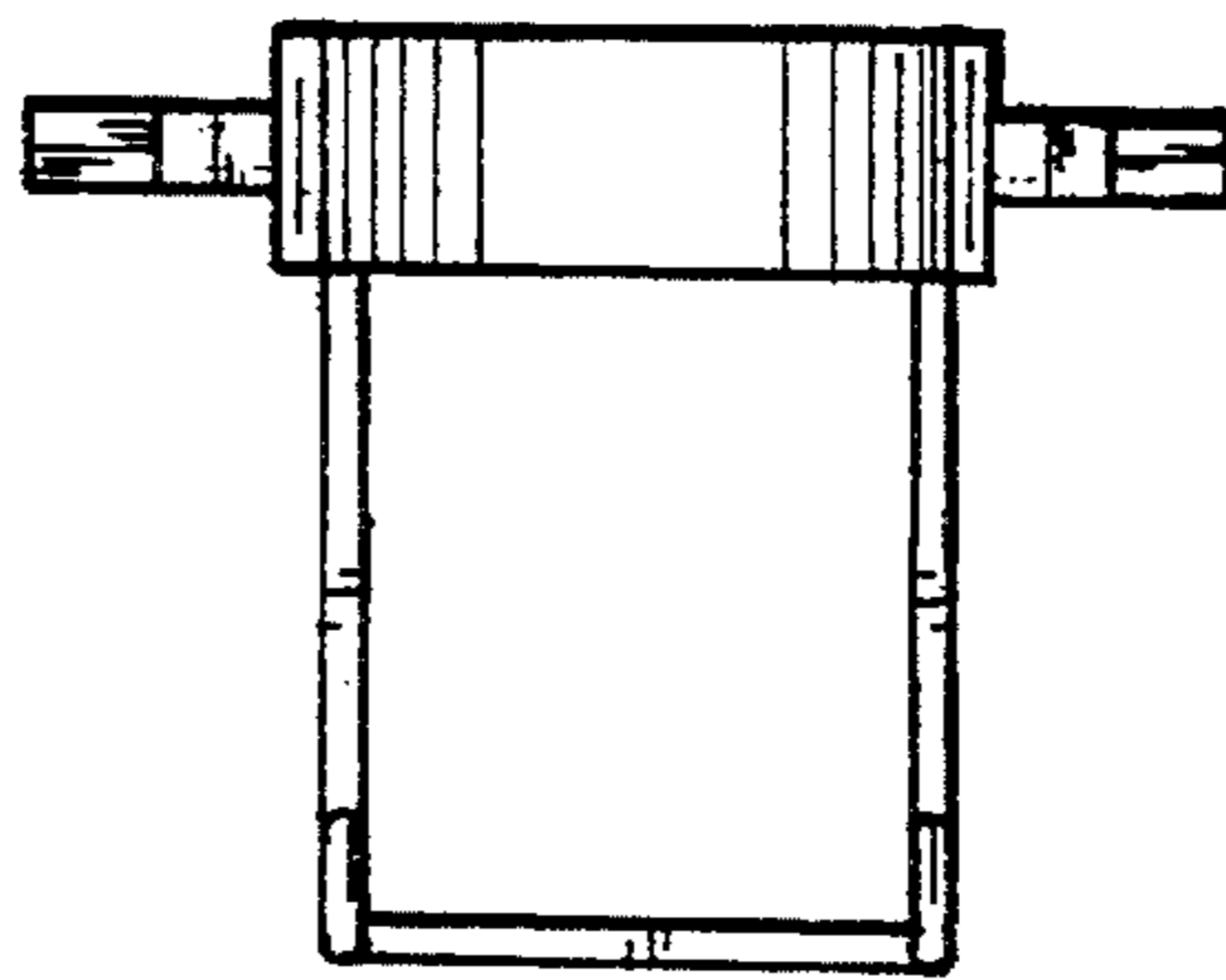


FIG. 4

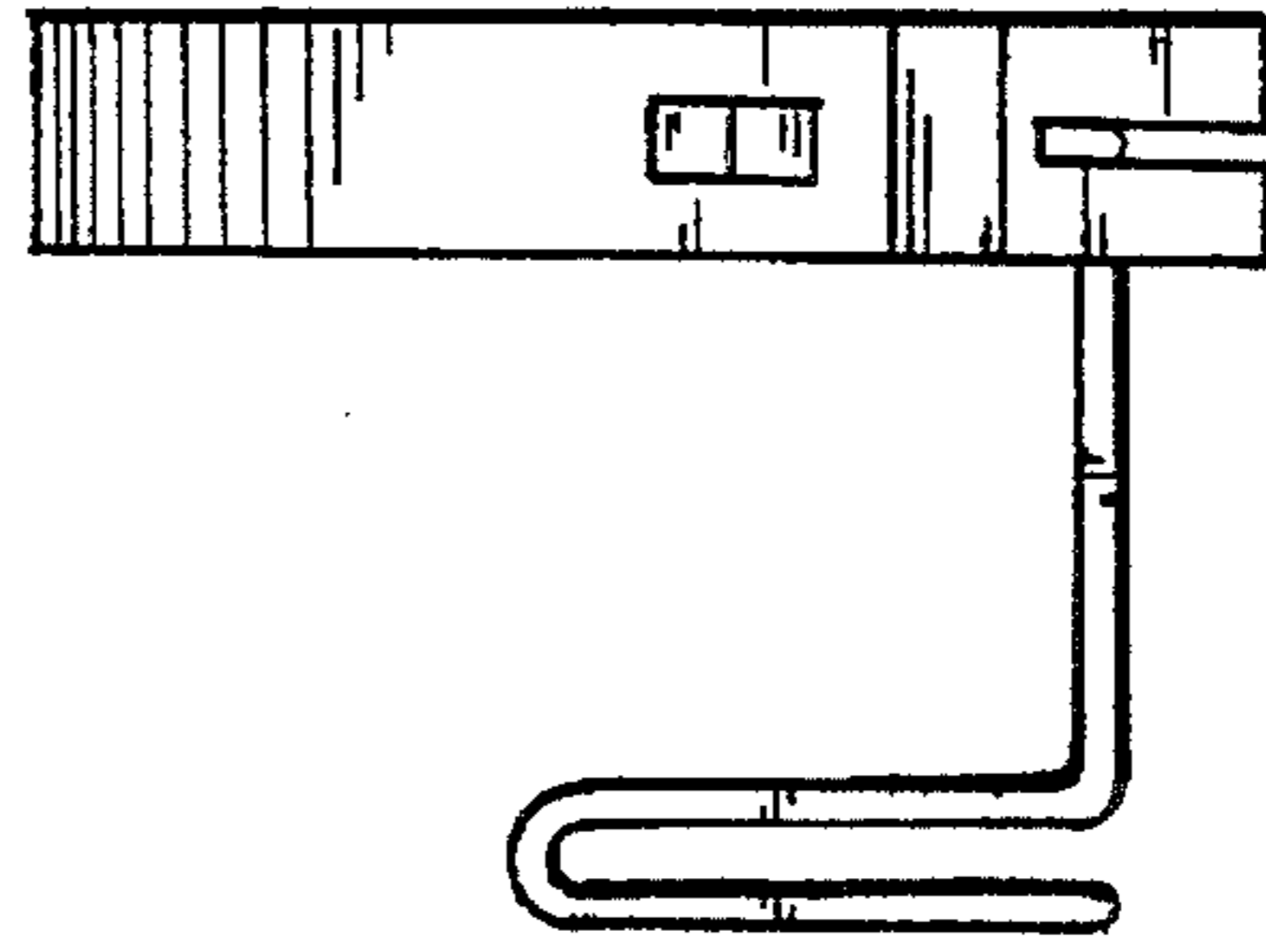


FIG. 5

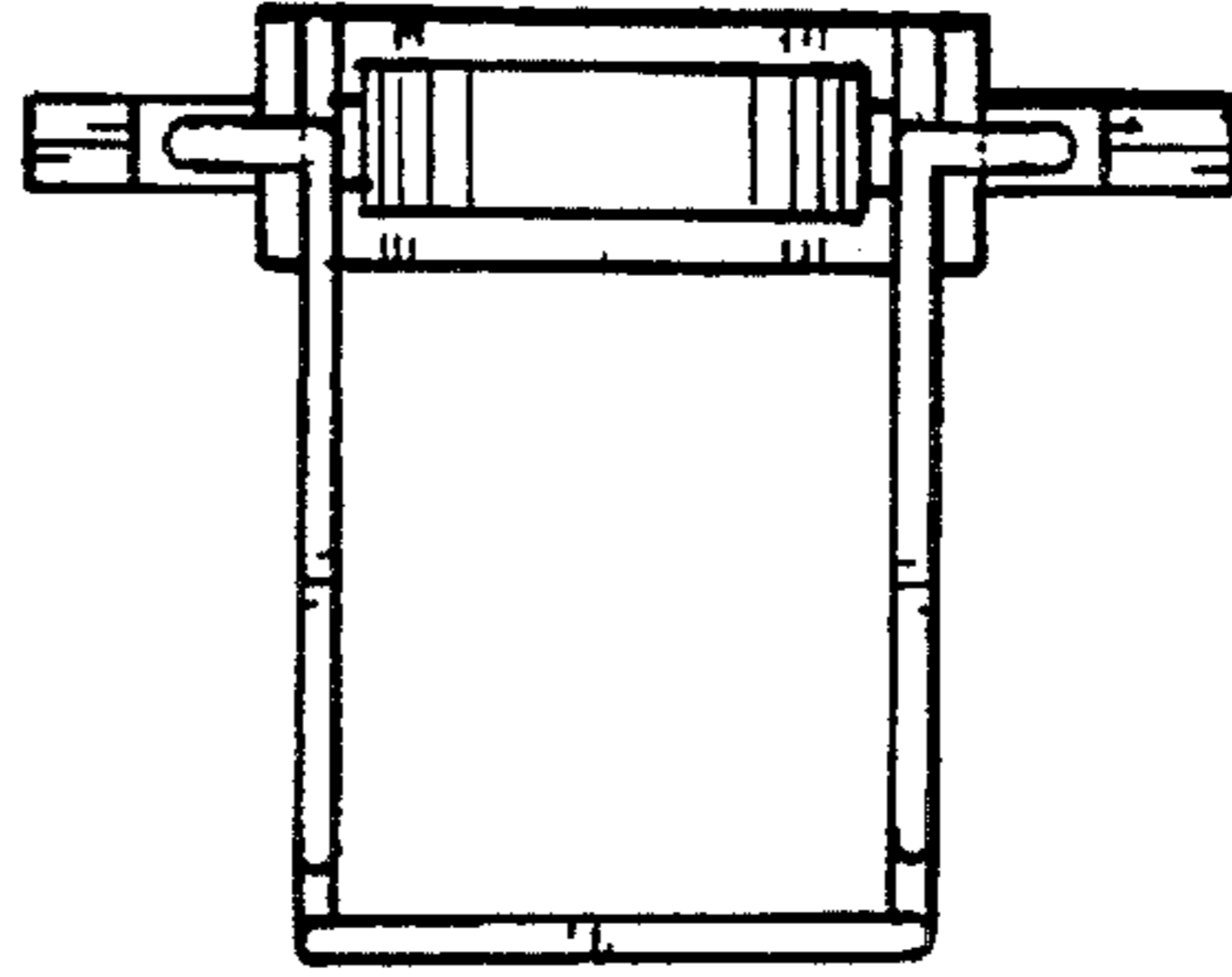


FIG. 6