



US00D363982S

# United States Patent [19] Swartzendruber

[11] Patent Number: **Des. 363,982**  
[45] Date of Patent: **\*\*Nov. 7, 1995**

[54] **FAN ASSEMBLY MOTOR MOUNTING**

[75] Inventor: **Ray E. Swartzendruber**, Syracuse, Ind.

[73] Assignee: **CTB Inc.**, Milford, Ind.

[\*\*] Term: **14 Years**

[21] Appl. No.: **15,903**

[22] Filed: **Dec. 1, 1993**

[52] U.S. Cl. .... **D23/411**

[58] Field of Search ..... D23/411, 370,  
D23/335; 248/604; 417/423.15, 360

[56] **References Cited**

**U.S. PATENT DOCUMENTS**

D. 32,574	4/1900	Richardson	.....	D23/411
2,081,030	5/1937	Anderson	.....	248/604
3,317,124	5/1967	Morrill	.....	417/423.15
4,502,291	3/1985	Shelton et al.	.....	415/213.1
4,710,096	12/1987	Erlam	.....	416/247 R
4,759,526	7/1988	Crawford et al.	.....	248/604

**OTHER PUBLICATIONS**

Brochure entitled "36" and 48" Grower Fans", Aerotech, Inc., Jan. 1993.

Brochure entitled "Controlled Environment Systems for Farm Buildings—Type NBF Fans," American Coolair Corporation, Mar., 1992.

Brochure entitled "Controlled Environment Systems for Farm Buildings: Farm Building Ventilation—Type NCF

Fans," American Coolair Corporation, Nov. 1992.

Brochure entitled "Assembly Instructions and Parts Manual: Vertical Belt-Drive Fans—Models 3C145 through 3C151A," Dayton Electric Manufacturing Co. (undated) applicant believes these fans were in public domain 1 yr prior to Dec. 1993.

Brochure entitled "Create Profits Through Proper Ventilation," Hired-Hand Inc. (undated), however, applicant believes these fans were in public domain 1 yr prior to Dec. 1993.

*Primary Examiner*—Lisa P. Lichtenstein

*Attorney, Agent, or Firm*—Harness, Dickey & Pierce

[57] **CLAIM**

The ornamental design for a fan assembly motor mounting, as shown and described.

**DESCRIPTION**

FIG. 1 is a front elevational view of fan assembly motor mounting, showing my new design;

FIG. 2 is a front elevational view thereof on a reduced scale;

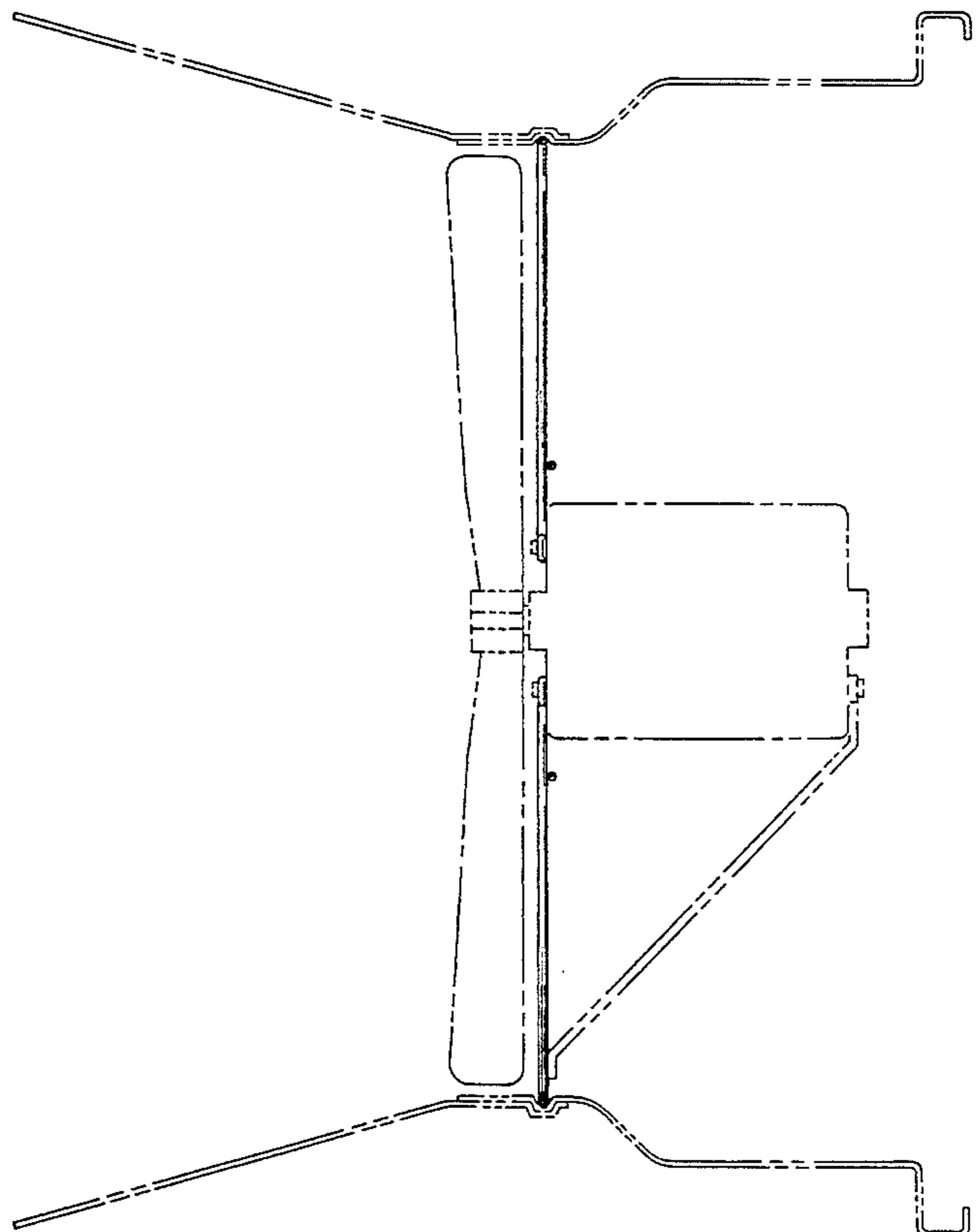
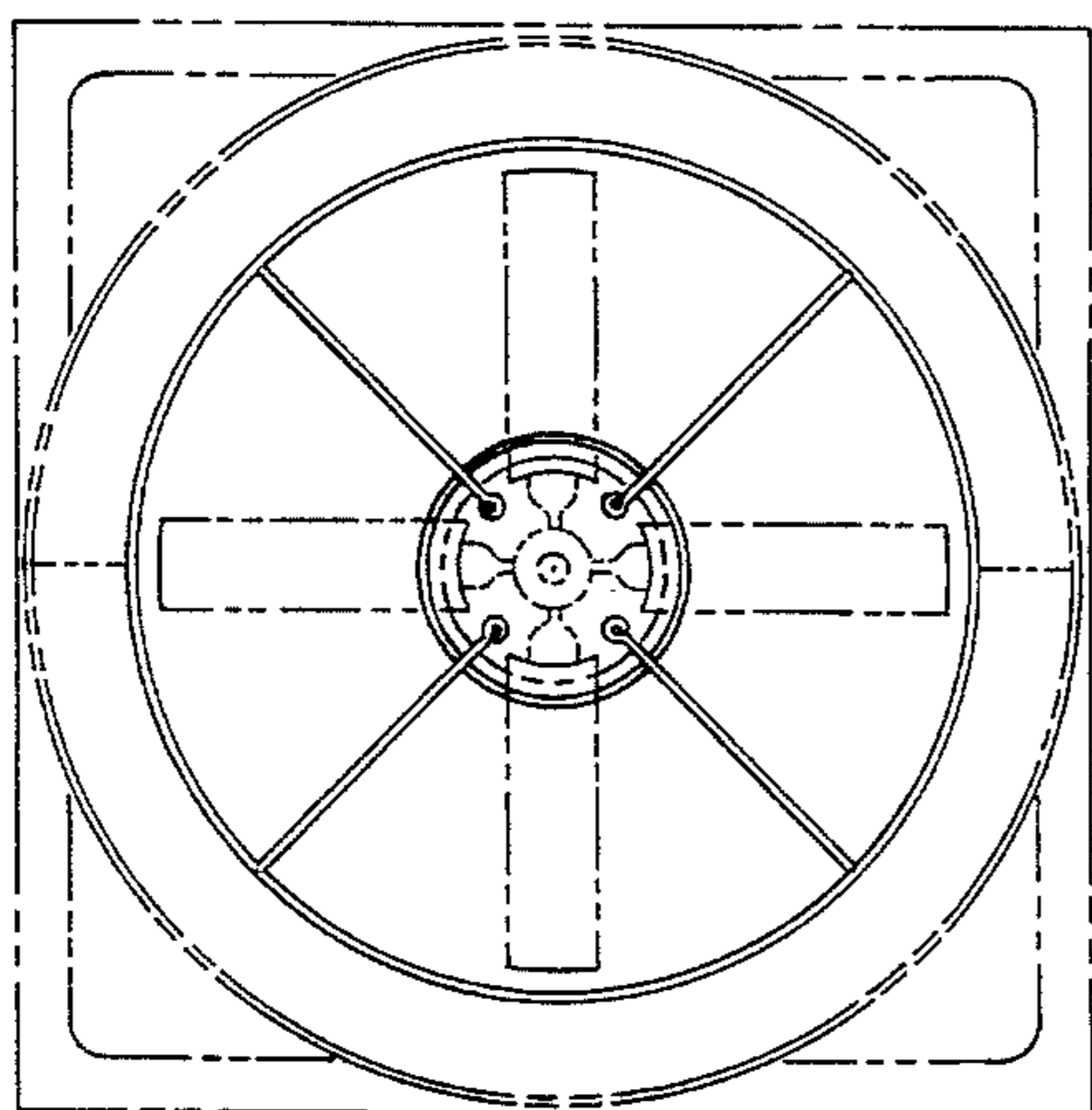
FIG. 3 is a rear elevational view thereof on a reduced scale;

FIG. 4 is a cross-sectional view thereof taken along line 4—4 in FIG. 1; and,

FIG. 5 is a front elevational view of a fan assembly motor mounting showing a second embodiment of my new design.

The broken line showing of a fan housing in FIGS. 2—4 is for illustrative purposes only and forms no part of the claimed design.

**1 Claim, 4 Drawing Sheets**



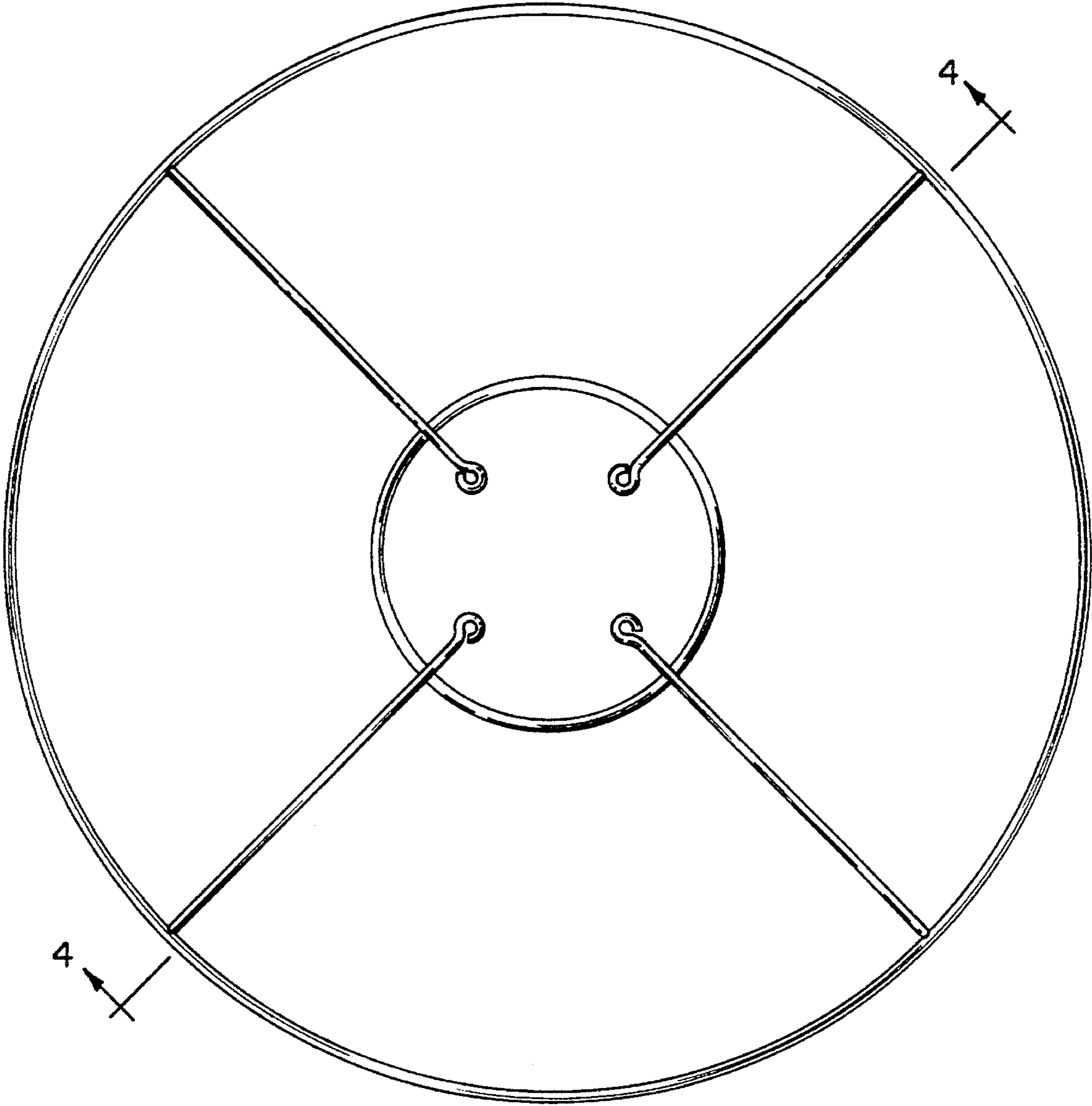


FIG. 1.

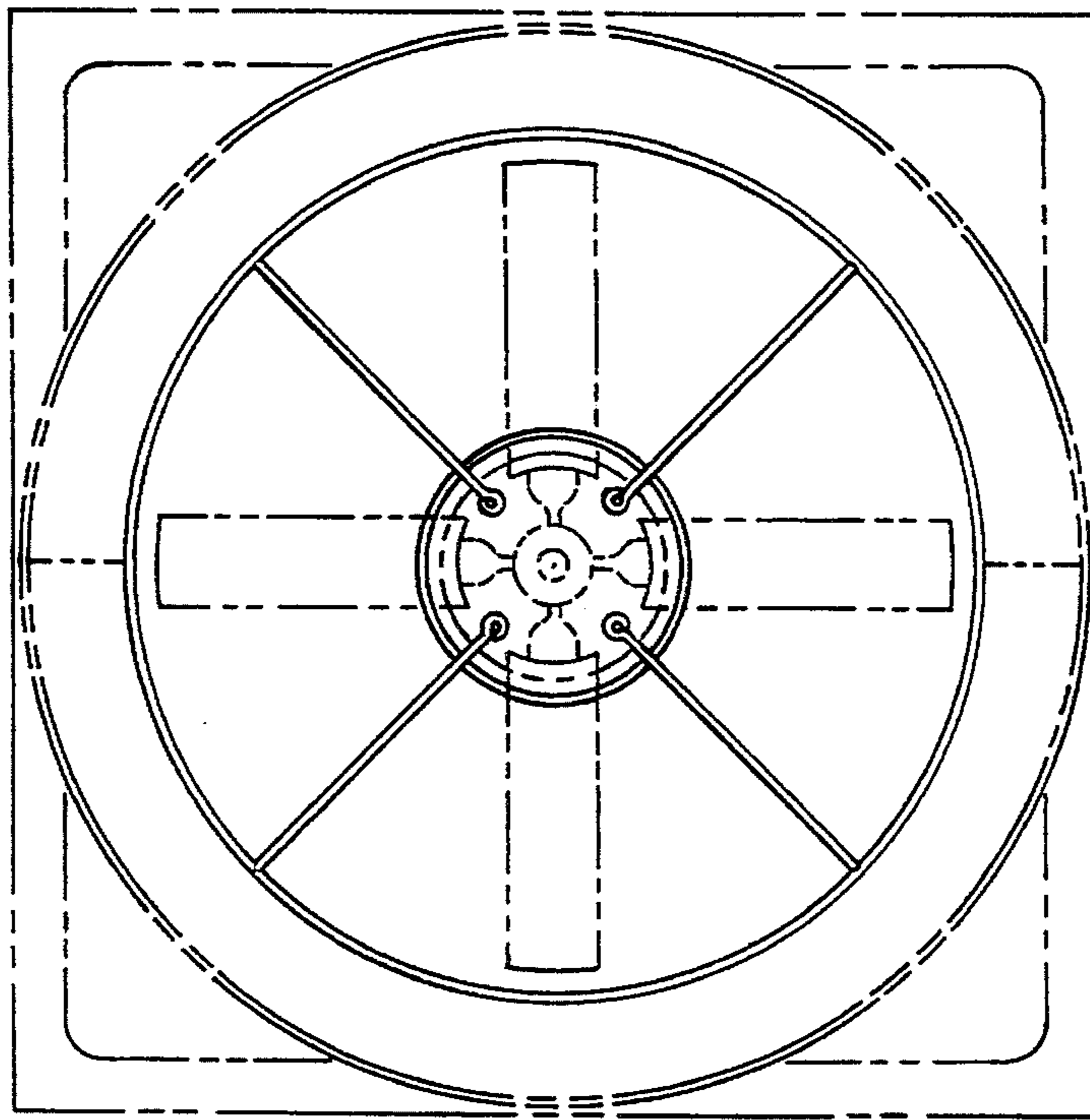


FIG. 2.

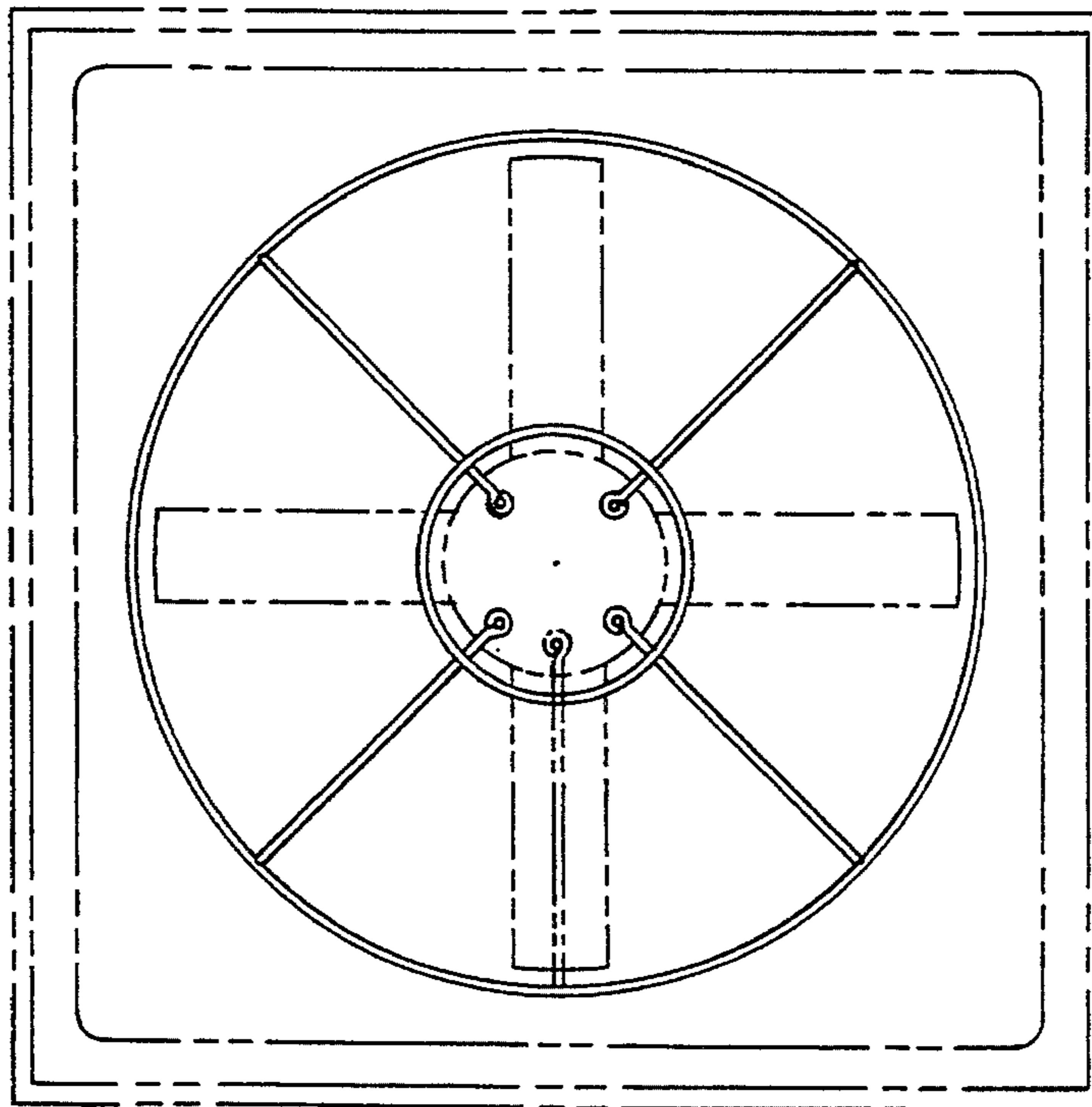


FIG. 3.

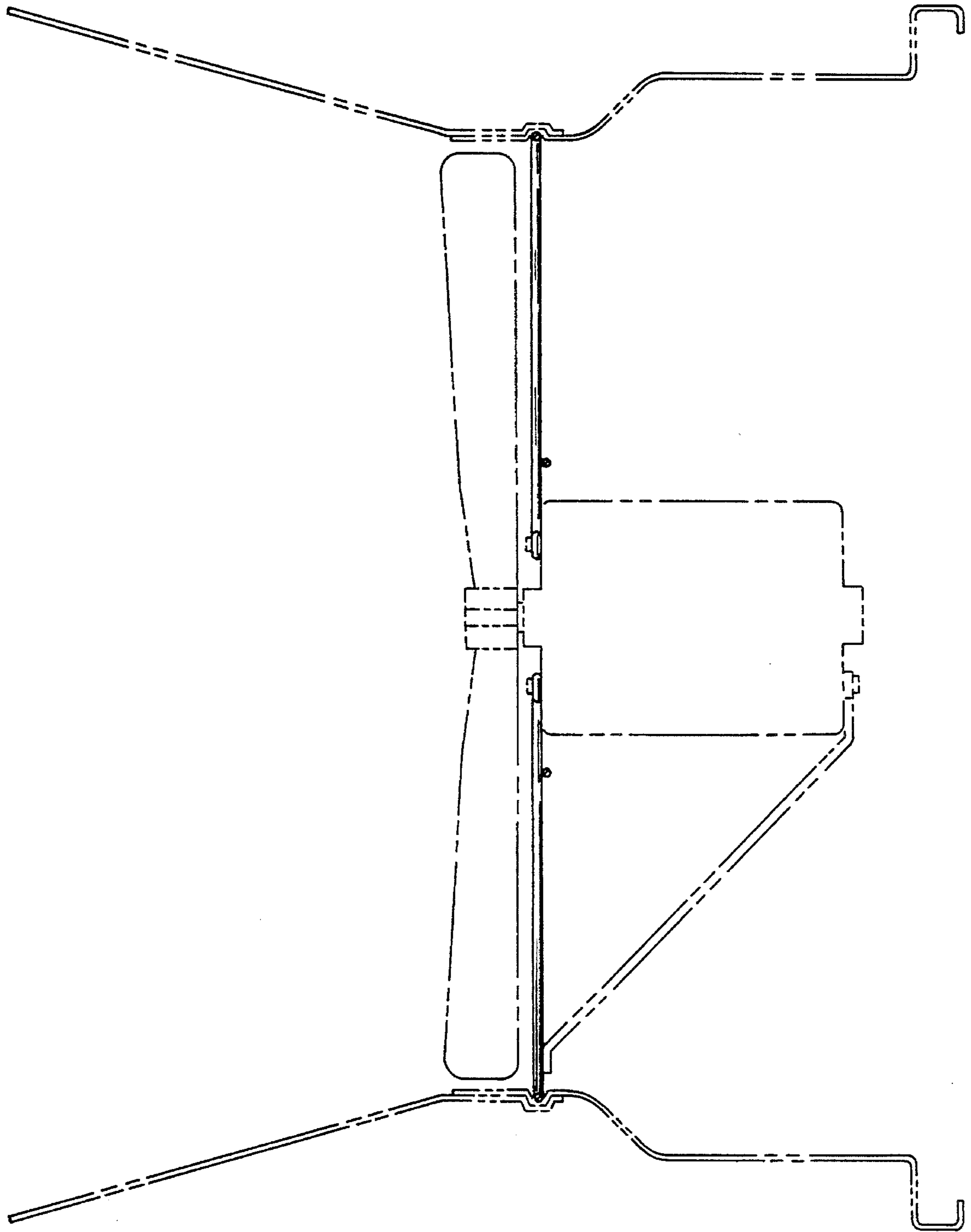


FIG. 4.



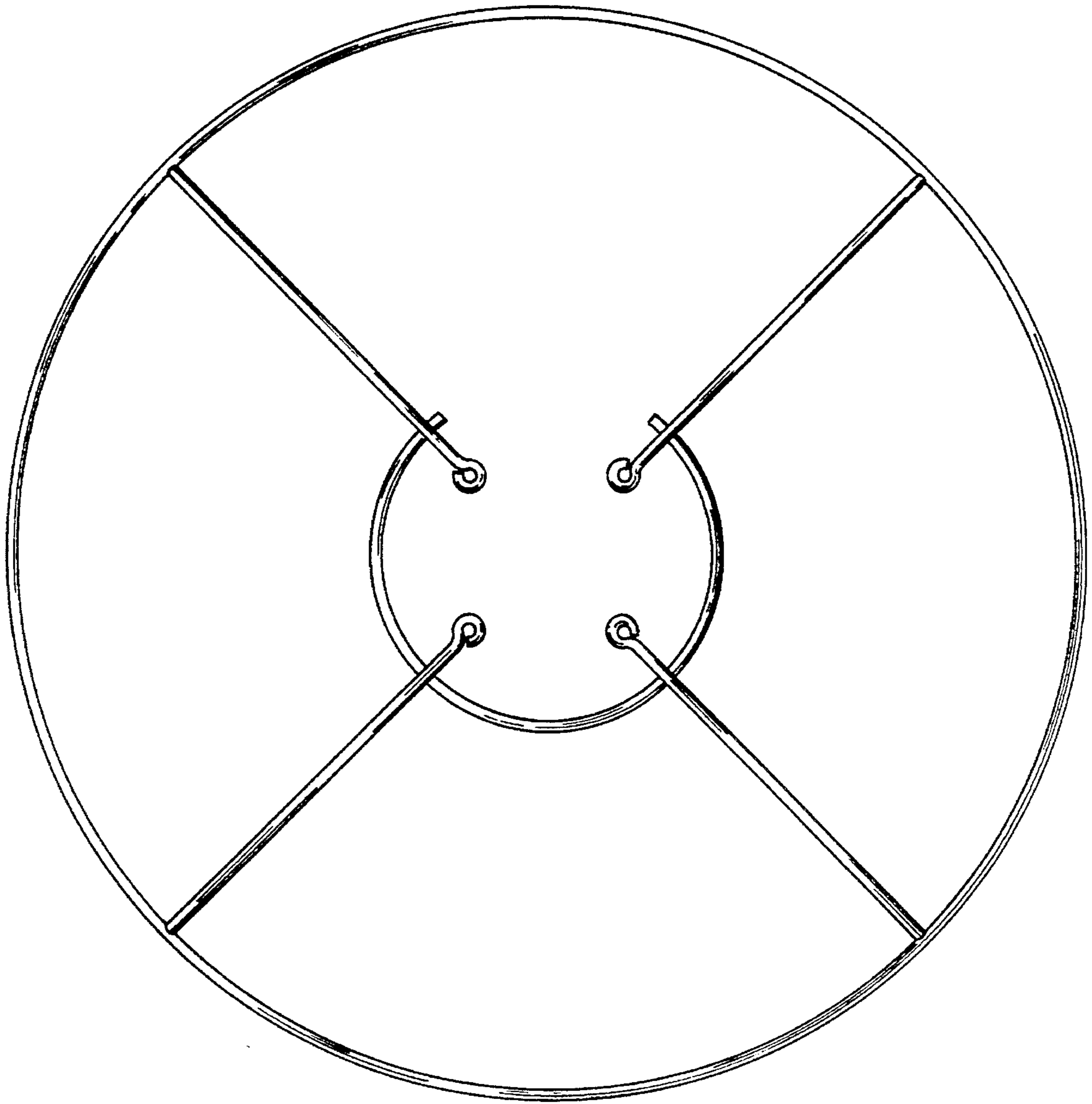


FIG. 5.