



US00D363981S

# United States Patent [19] Muderlak

[11] **Patent Number:** **Des. 363,981**  
[45] **Date of Patent:** **\*\*Nov. 7, 1995**

[54] **AEROSOL SPRAY DISPENSER**

[75] Inventor: **Kenneth J. Muderlak**, Shorewood, Wis.

[73] Assignee: **Technical Concepts, Inc.**, Elk Grove Village, Ill.

[\*\*] Term: **14 Years**

[21] Appl. No.: **29,635**

[22] Filed: **Oct. 12, 1994**

[52] U.S. Cl. .... **D23/366; D9/300**

[58] **Field of Search** ..... **D23/366-369; 392/390, 392; 222/645-648, 183; 422/305; 261/DIG. 65**

[56] **References Cited**

**U.S. PATENT DOCUMENTS**

D. 211,962	8/1968	Soles .....	D23/366
D. 273,225	3/1984	Palson .....	D23/366
D. 323,883	2/1992	Caporale .....	D23/366
D. 338,522	8/1993	Muderlak .....	D23/366
4,830,791	5/1989	Muderlak et al. ....	239/57

*Primary Examiner*—Lisa P. Lichtenstein  
*Attorney, Agent, or Firm*—Welsh & Katz, Ltd.

[57] **CLAIM**

The ornamental design for an aerosol spray dispenser, as shown and described.

**DESCRIPTION**

FIG. 1 is a perspective view of the aerosol spray dispenser of my new design;  
FIG. 2 is a front view thereof;  
FIG. 3 is a left side view thereof;  
FIG. 4 is a right side view thereof;  
FIG. 5 is a rear view thereof;  
FIG. 6 is a top plan view thereof;  
FIG. 7 is a bottom plan view thereof;  
FIG. 8 is a perspective view of the aerosol spray dispenser showing a second embodiment of my new design, the sole difference from the first embodiment resides in the appearance of the top front panel;  
FIG. 9 is a front view of FIG. 8; and,  
FIG. 10 is a left side view of FIG. 8.

**1 Claim, 3 Drawing Sheets**

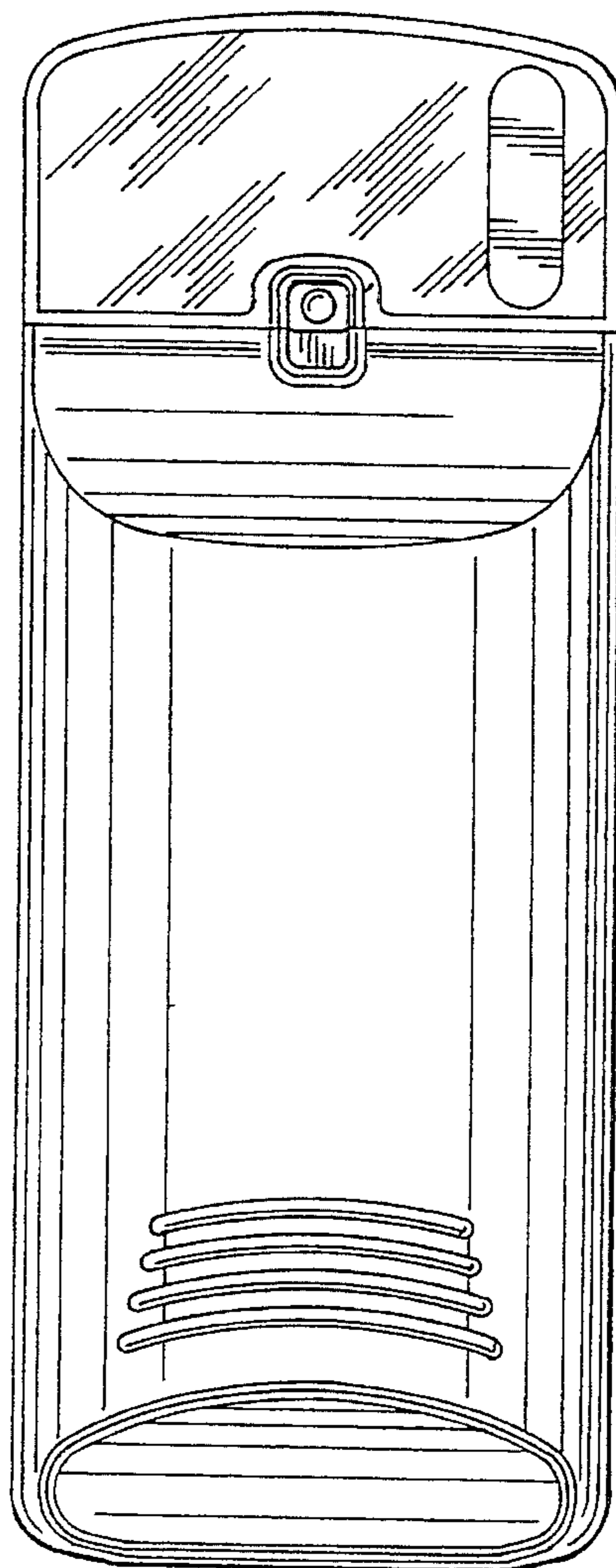
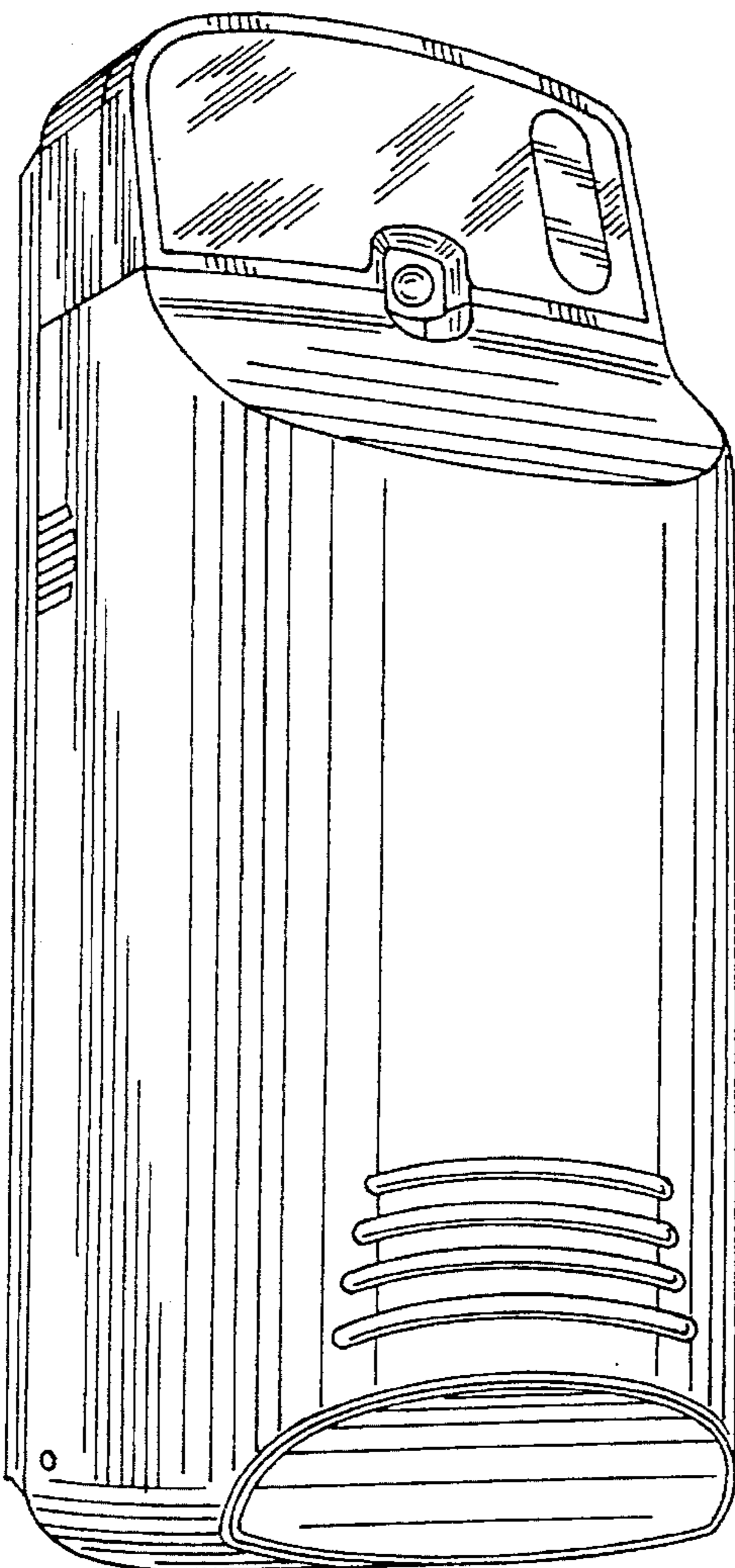


FIG.3

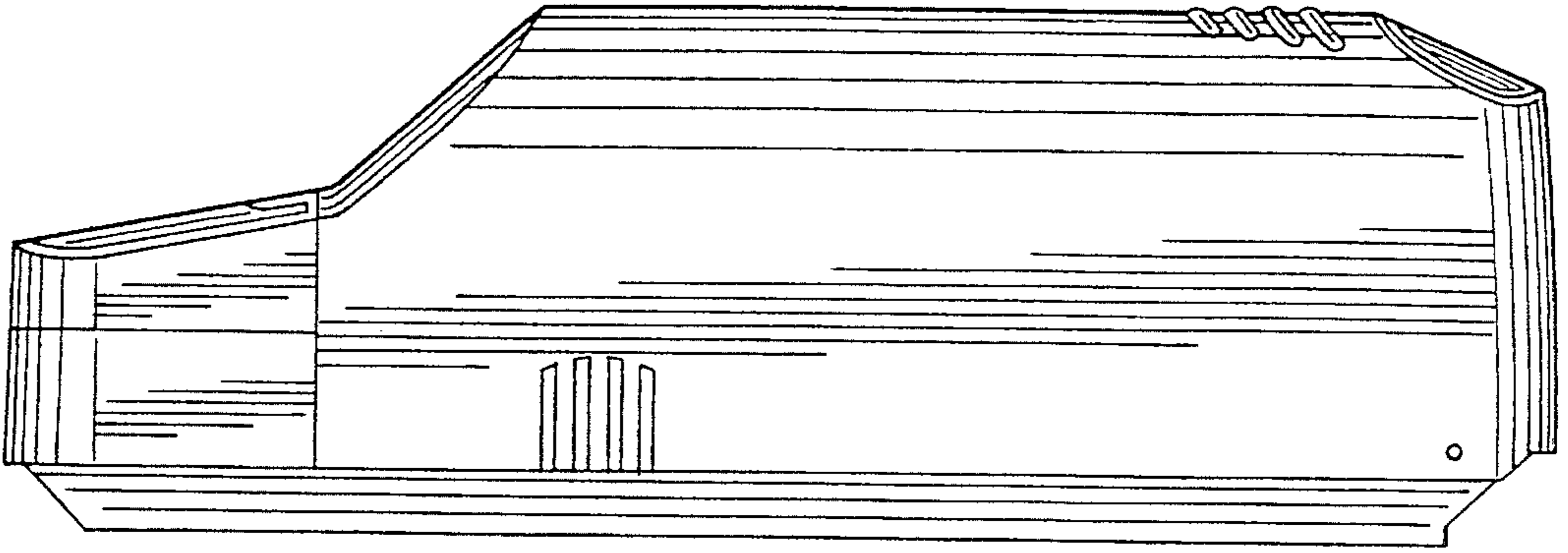


FIG.2

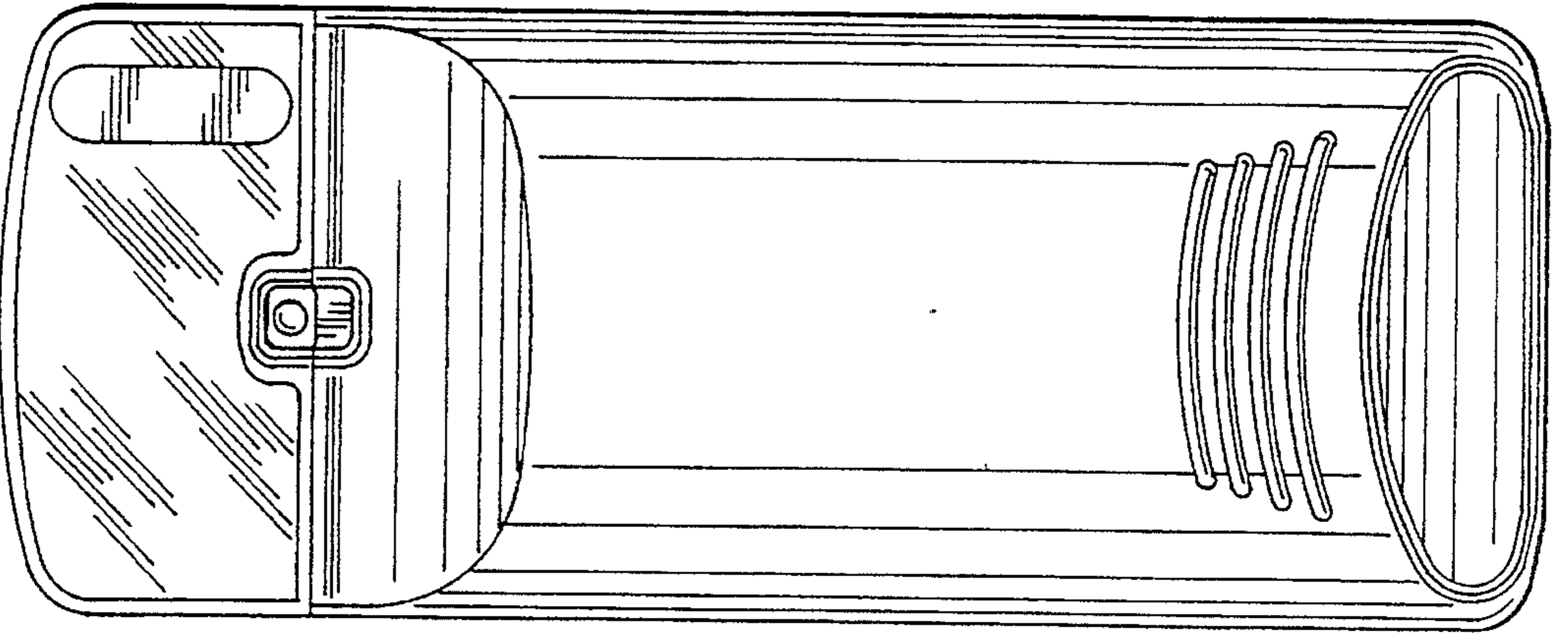


FIG.1

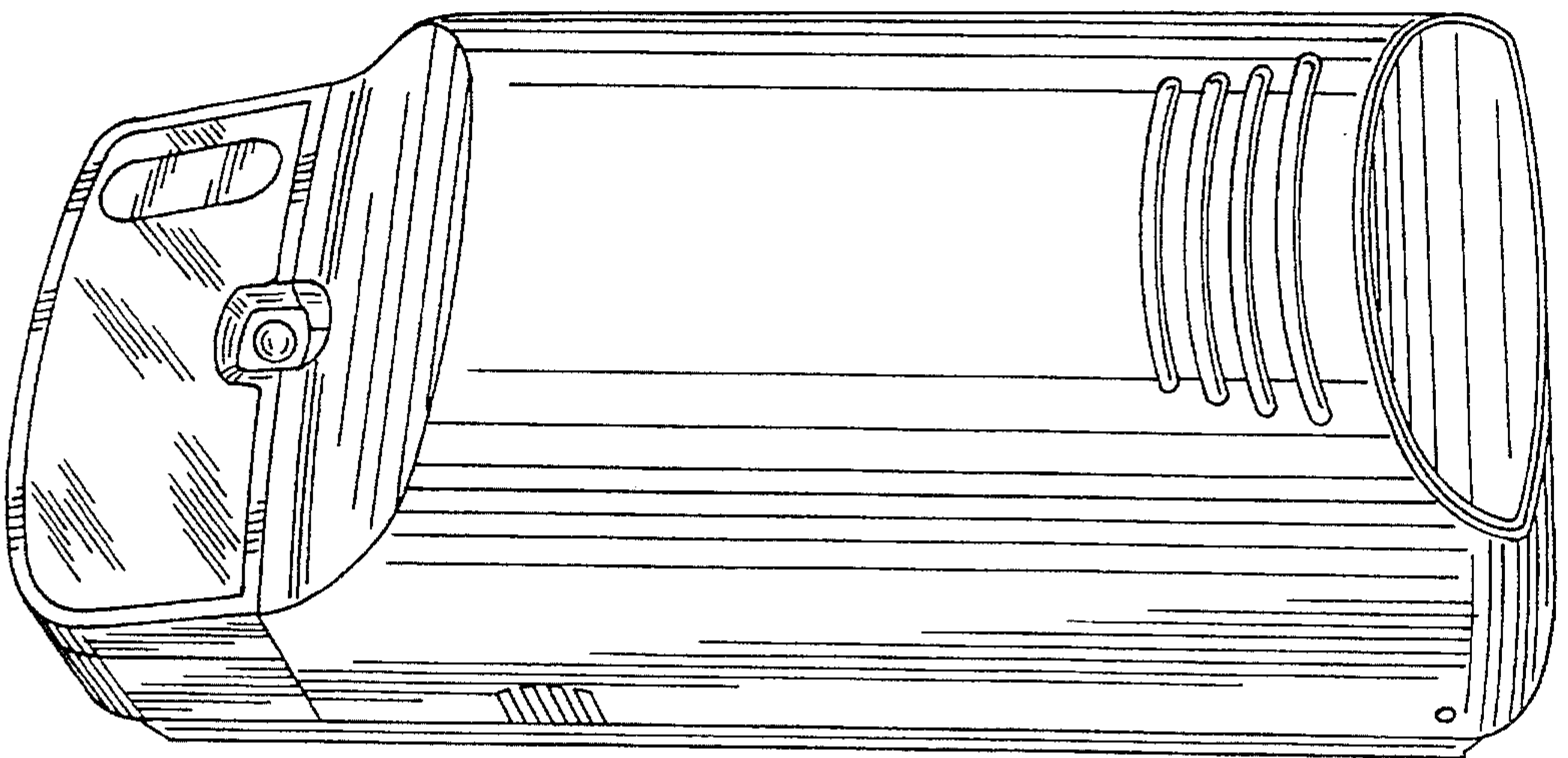




FIG.4

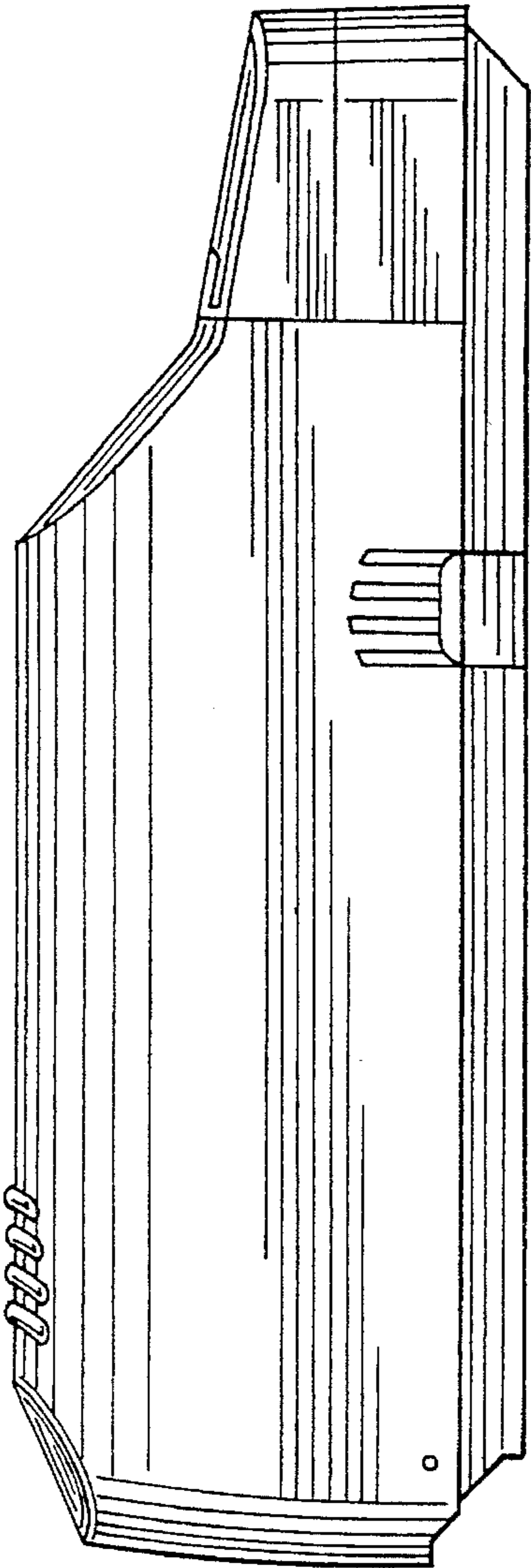


FIG.5

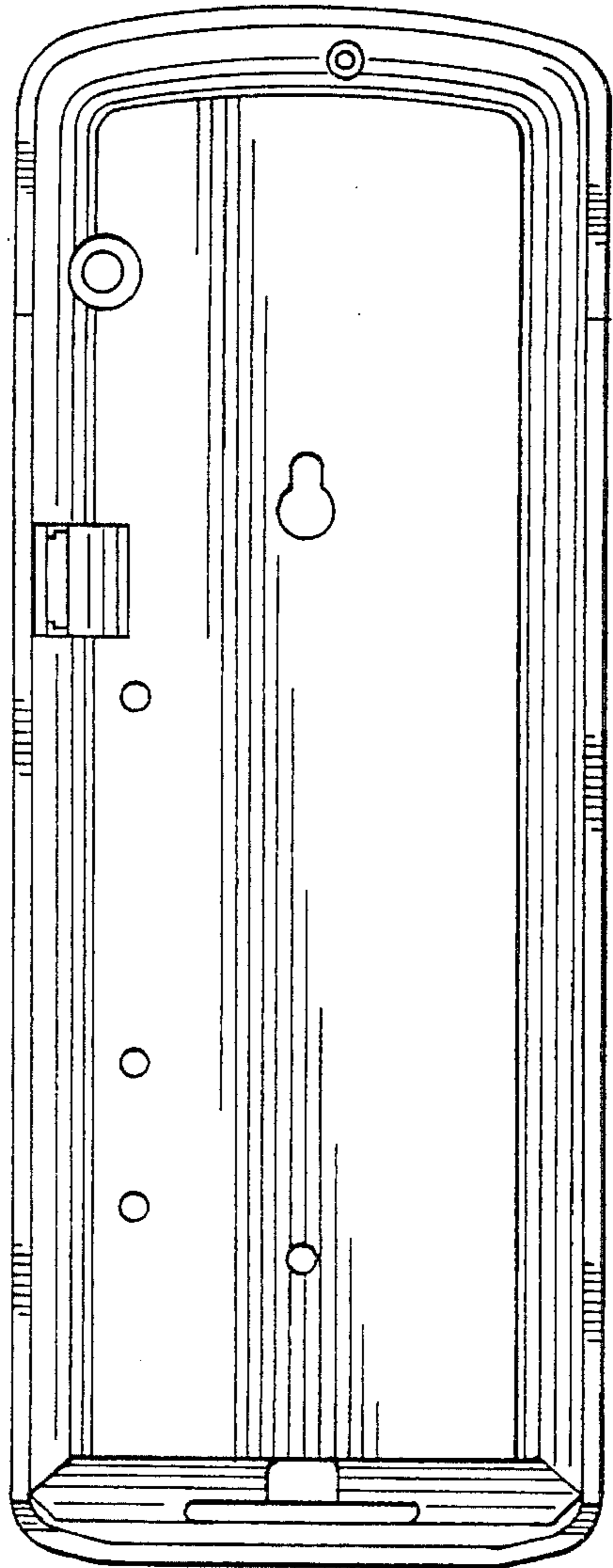


FIG.6

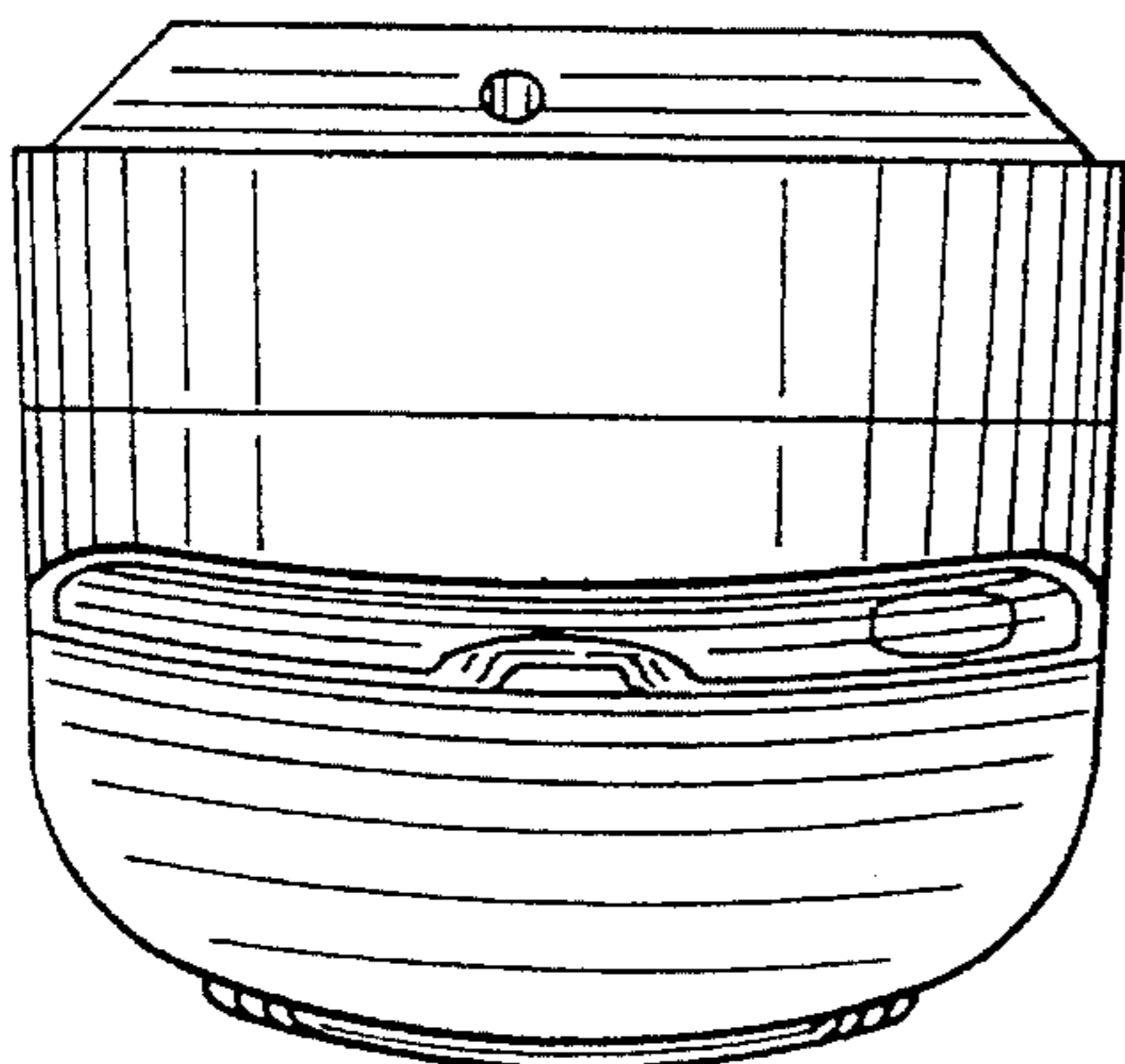


FIG.7

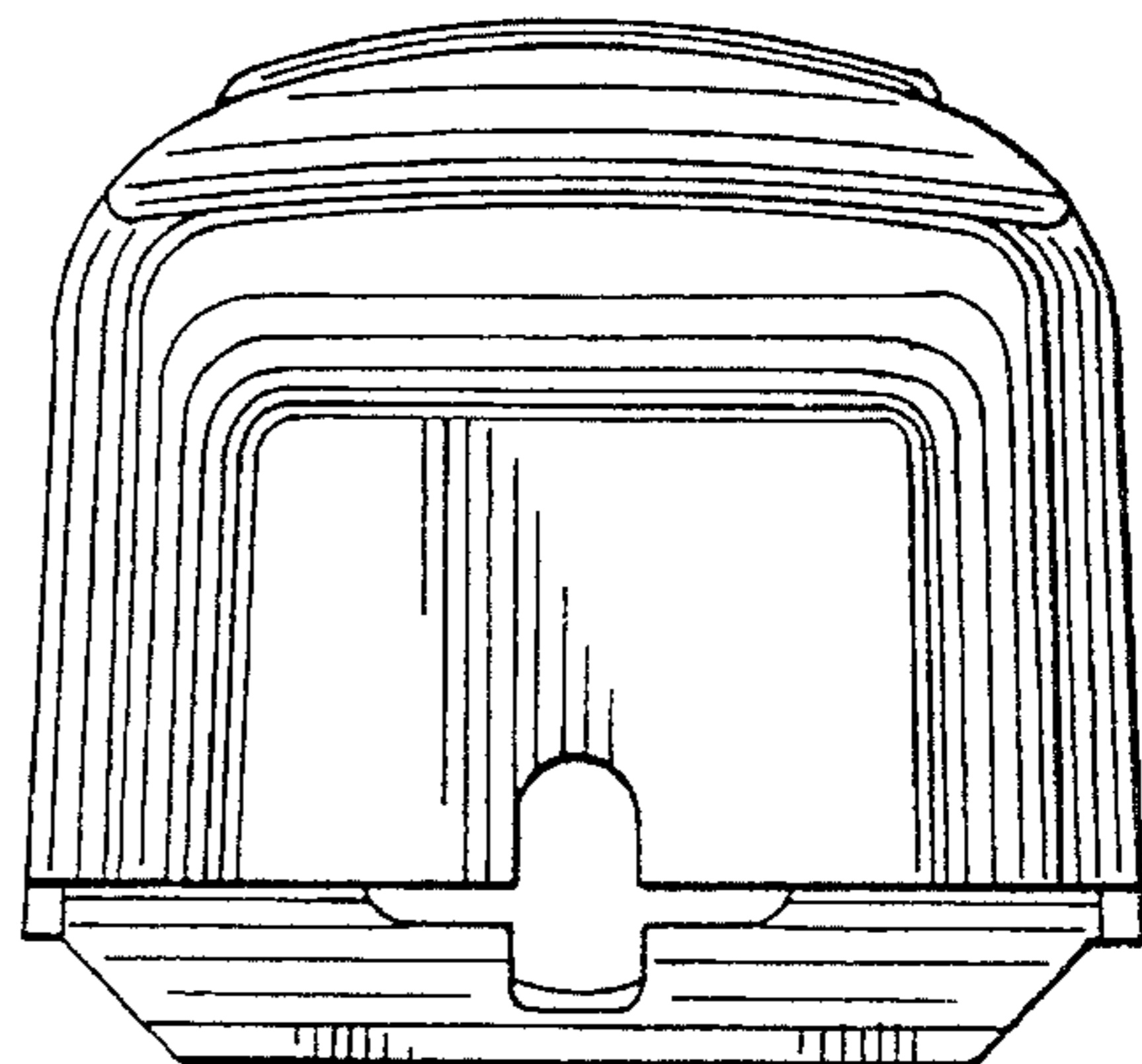


FIG.10

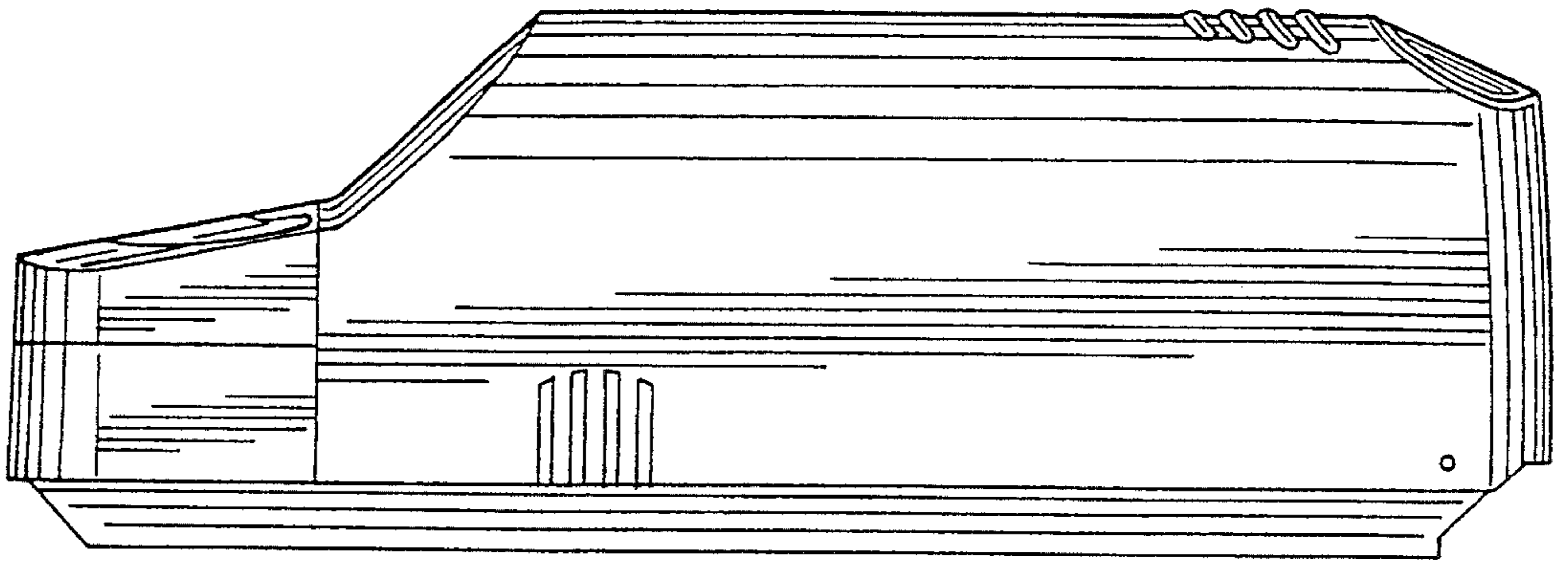


FIG.9

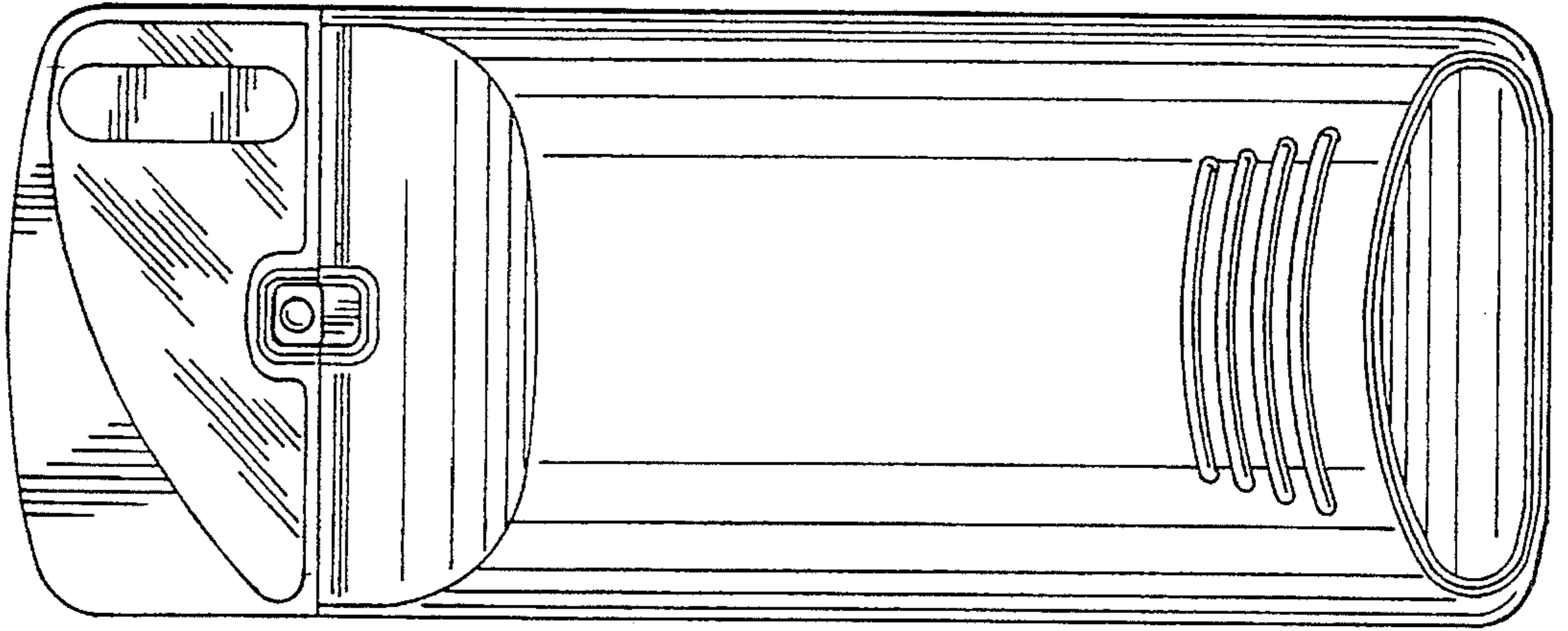


FIG.8

