



US00D363979S

**United States Patent** [19]  
**Clark**

[11] **Patent Number:** **Des. 363,979**  
[45] **Date of Patent:** **\*\*Nov. 7, 1995**

[54] **BEAD SEAL GASKET**

4,620,710 11/1986 Lambert et al. .... 277/234 X  
4,968,045 11/1990 Abe et al. .... 277/234 X

[76] Inventor: **James M. Clark**, 637 Bangs Ave.,  
Modesto, Calif. 93756

*Primary Examiner*—Stella Reid  
*Assistant Examiner*—Eric Watterson  
*Attorney, Agent, or Firm*—Mark D. Miller

[\*\*] Term: **14 Years**

[21] Appl. No.: **27,197**

[57] **CLAIM**

The ornamental design for the bead seal gasket, as shown.

[22] Filed: **Aug. 16, 1994**

[52] U.S. Cl. .... **D23/269**

**DESCRIPTION**

[58] Field of Search ..... D23/269; D13/184,  
D13/199; 277/227, 235 B, 234, 211

FIG. 1 is a perspective view of the bead seal gasket showing my new design;

FIG. 2 is a top plan view thereof;

FIG. 3 is a bottom plan view thereof; and,

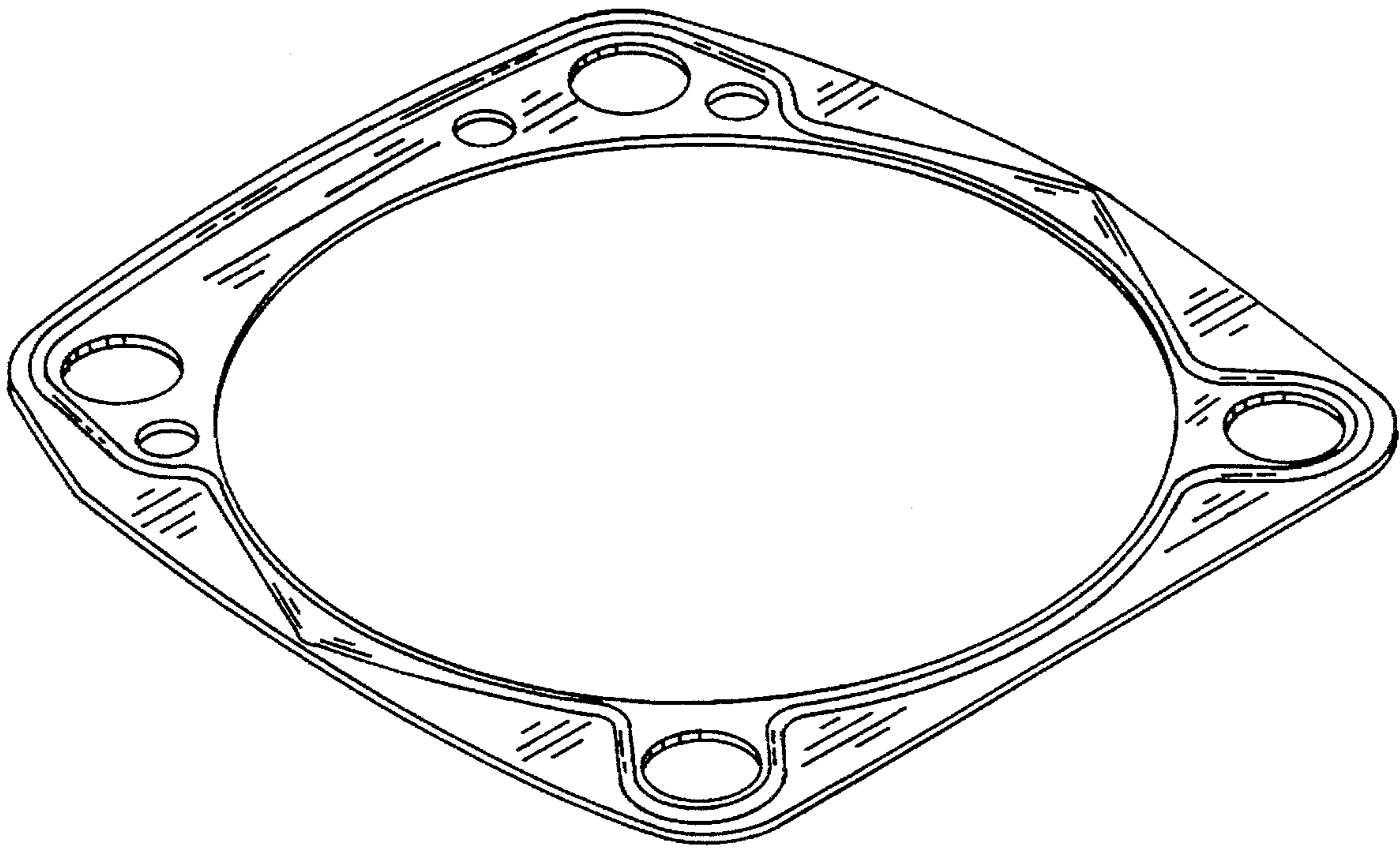
FIG. 4 is a left, right, front and back elevational view thereof.

[56] **References Cited**

**U.S. PATENT DOCUMENTS**

3,521,607 7/1970 Wiseman et al. .... 277/211  
3,837,657 9/1974 Parnam et al. .... 277/211 X  
4,535,996 8/1985 Cardis et al. .... 277/211 X

**1 Claim, 1 Drawing Sheet**



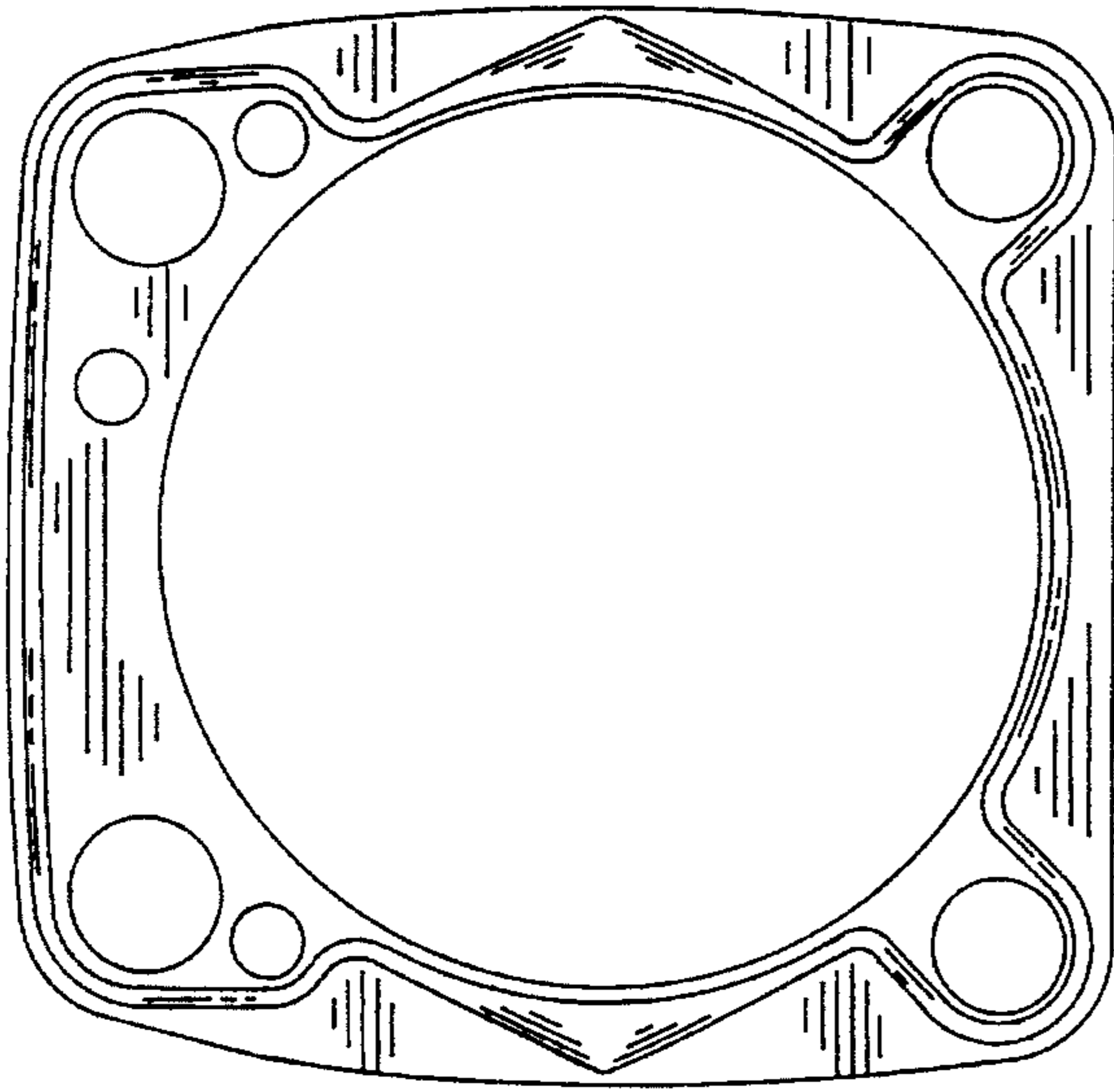


FIG. 2



FIG. 4

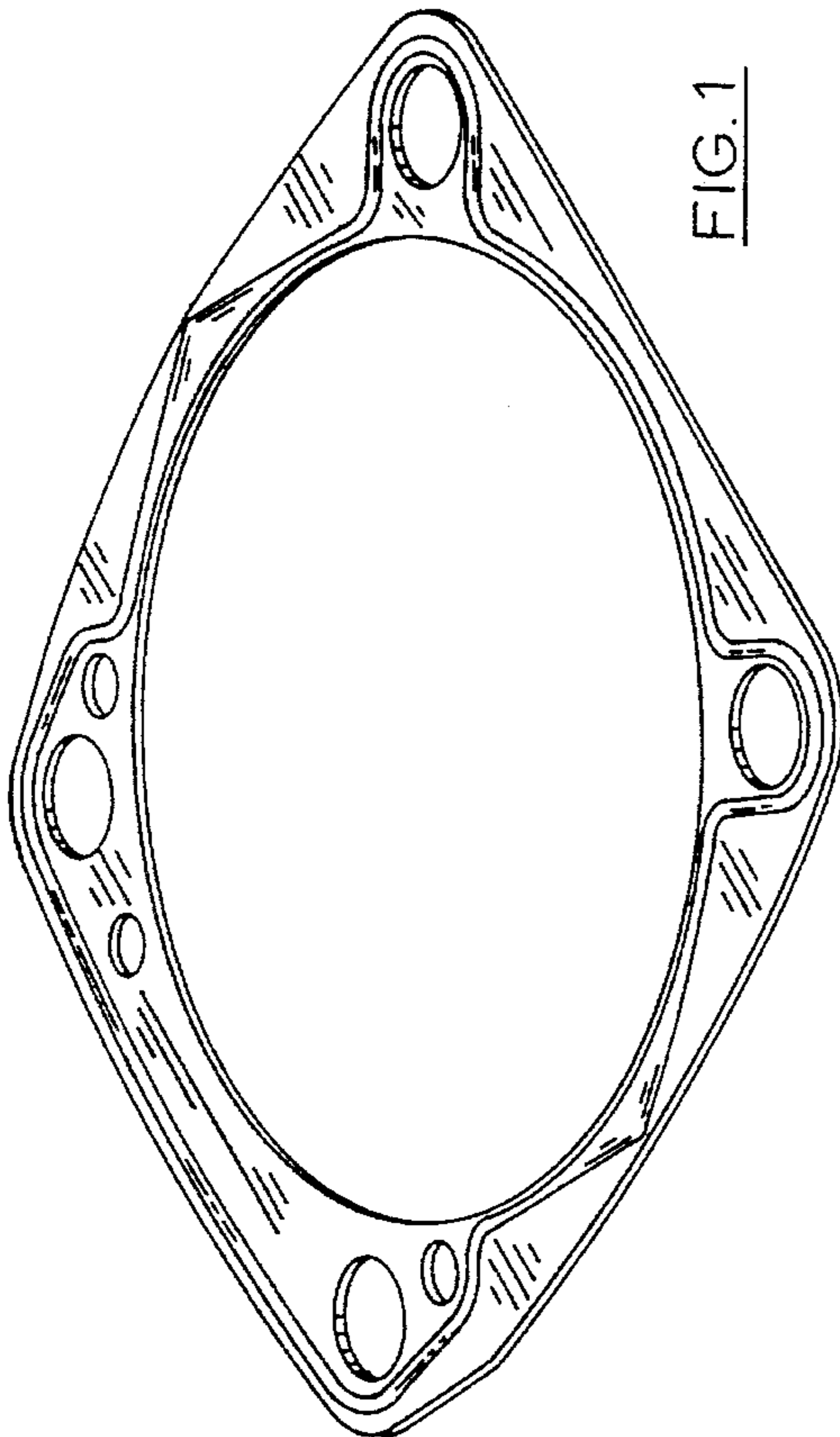


FIG. 1

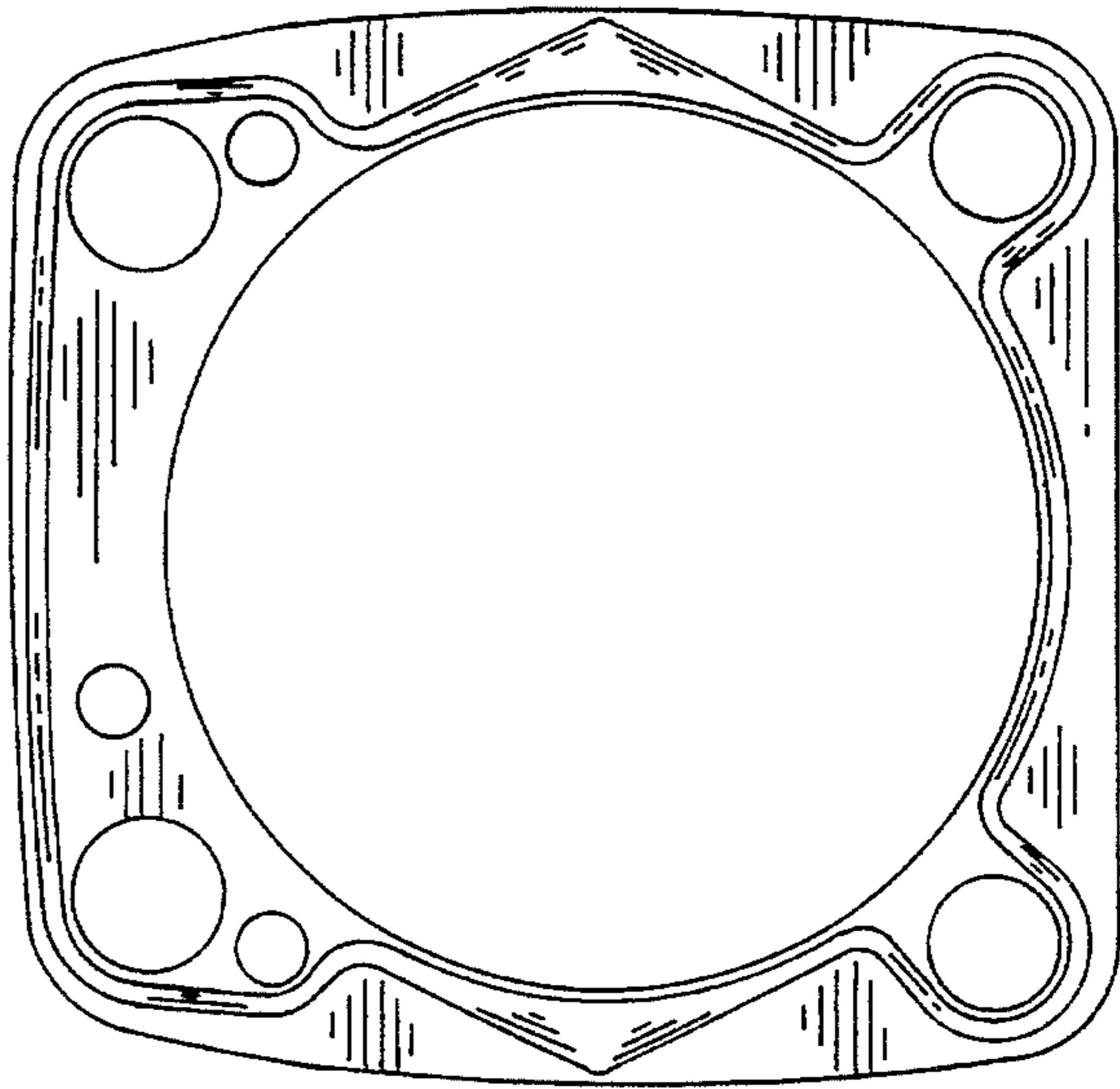


FIG. 3