



US00D363975S

United States Patent [19]

Doughty et al.

[11] Patent Number: **Des. 363,975**

[45] Date of Patent: ****Nov. 7, 1995**

[54] FAUCET

[75] Inventors: **Frederic C. Doughty**, S. Pasadena;
Darren M. Mark, Castaic, both of Calif.

[73] Assignee: **Emhart Inc.**, Newark, Del.

[**] Term: **14 Years**

[21] Appl. No.: **33,985**

[22] Filed: **Jan. 25, 1995**

[52] U.S. Cl. **D23/241**

[58] Field of Search D23/238-243,
D23/250-258; 4/675, 676, 677, 678; 137/801

D. 312,495	11/1990	Joerger	D23/242
D. 314,813	2/1991	Jans	.	
D. 318,714	7/1991	Spangler	.	
D. 318,906	8/1991	Spangler	.	
D. 320,645	10/1991	Knapp et al.	.	
D. 321,750	11/1991	Spangler	.	
D. 323,375	1/1992	Razumov	D23/242
D. 325,772	4/1992	Carr	.	
D. 327,944	7/1992	Stairs et al.	.	
D. 328,782	8/1992	Paterson	.	
D. 350,390	9/1994	Bollenbacher	.	
D. 351,218	10/1994	Sieger	.	
D. 352,095	11/1994	Bollenbacher	.	

Primary Examiner—Stella Reid
Assistant Examiner—Eric Watterson
Attorney, Agent, or Firm—J. Bruce Hoofnagle

[56] **References Cited**

U.S. PATENT DOCUMENTS

D. 87,328	7/1932	Brotz	.	
D. 143,695	1/1946	Zinkil	.	
D. 182,867	5/1958	Young	.	
D. 207,044	2/1967	Hurwitz	.	
D. 276,259	11/1984	Miller	.	
D. 280,008	8/1985	Miller et al.	.	
D. 280,010	8/1985	Miller et al.	.	
D. 287,747	1/1987	Miller et al.	.	
D. 288,835	3/1987	Yost	.	
D. 288,836	3/1987	Yost	D23/241
D. 293,362	12/1987	Hill et al.	.	
D. 295,550	5/1988	Yost	.	
D. 295,551	5/1988	Yost	.	

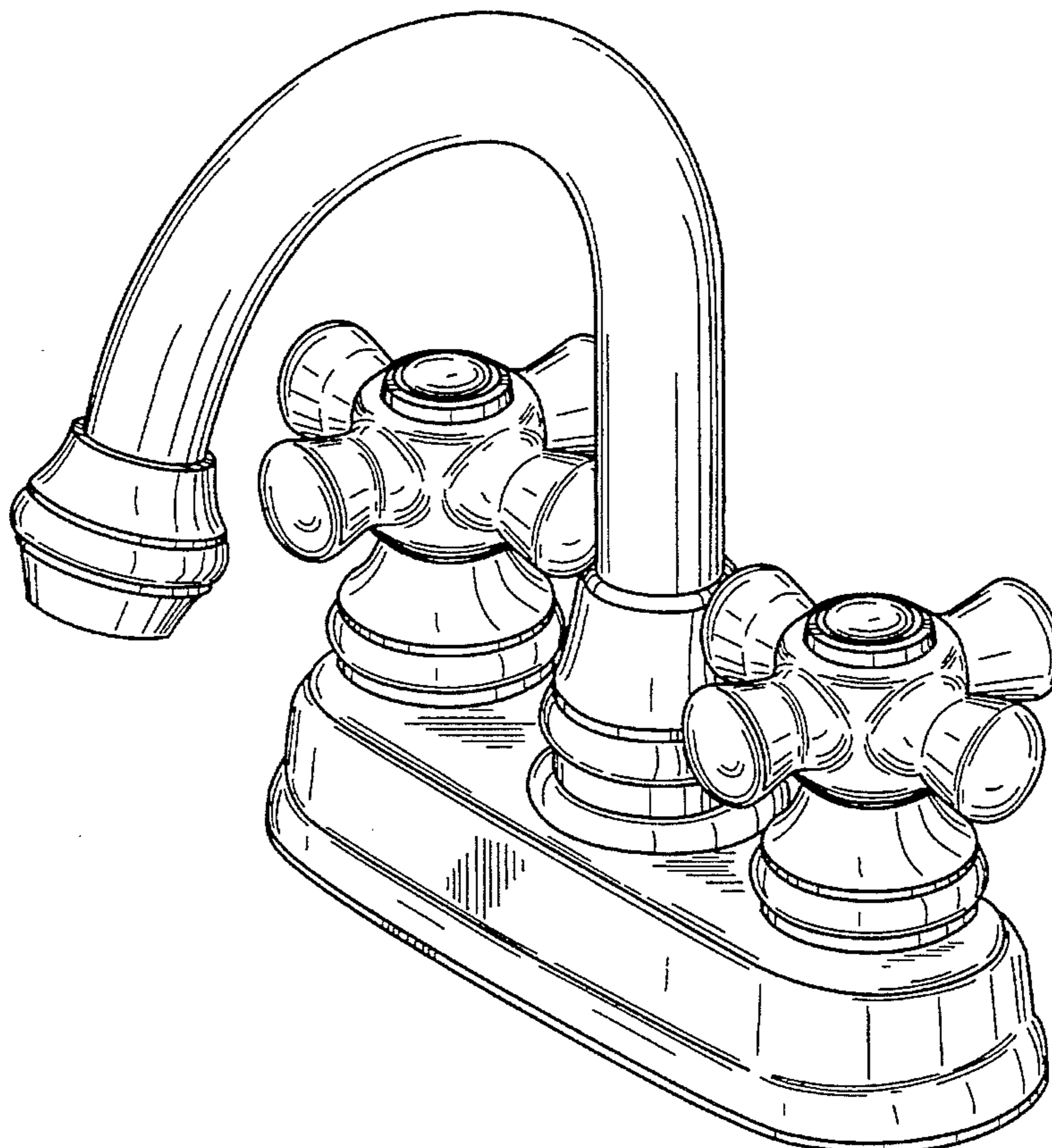
[57] **CLAIM**

The ornamental design for faucet, as shown and described.

DESCRIPTION

FIG. 1 is a front view of our new design of a faucet; FIG. 2 is a rear view of our new design of the faucet; FIG. 3 is a top view of our new design of the faucet; FIG. 4 is a bottom view of our new design of the faucet; FIG. 5 is a left side view of our new design of the faucet, a right side view thereof being a mirror image of the left side view; and, FIG. 6 is a perspective view of our new design of the faucet.

1 Claim, 6 Drawing Sheets



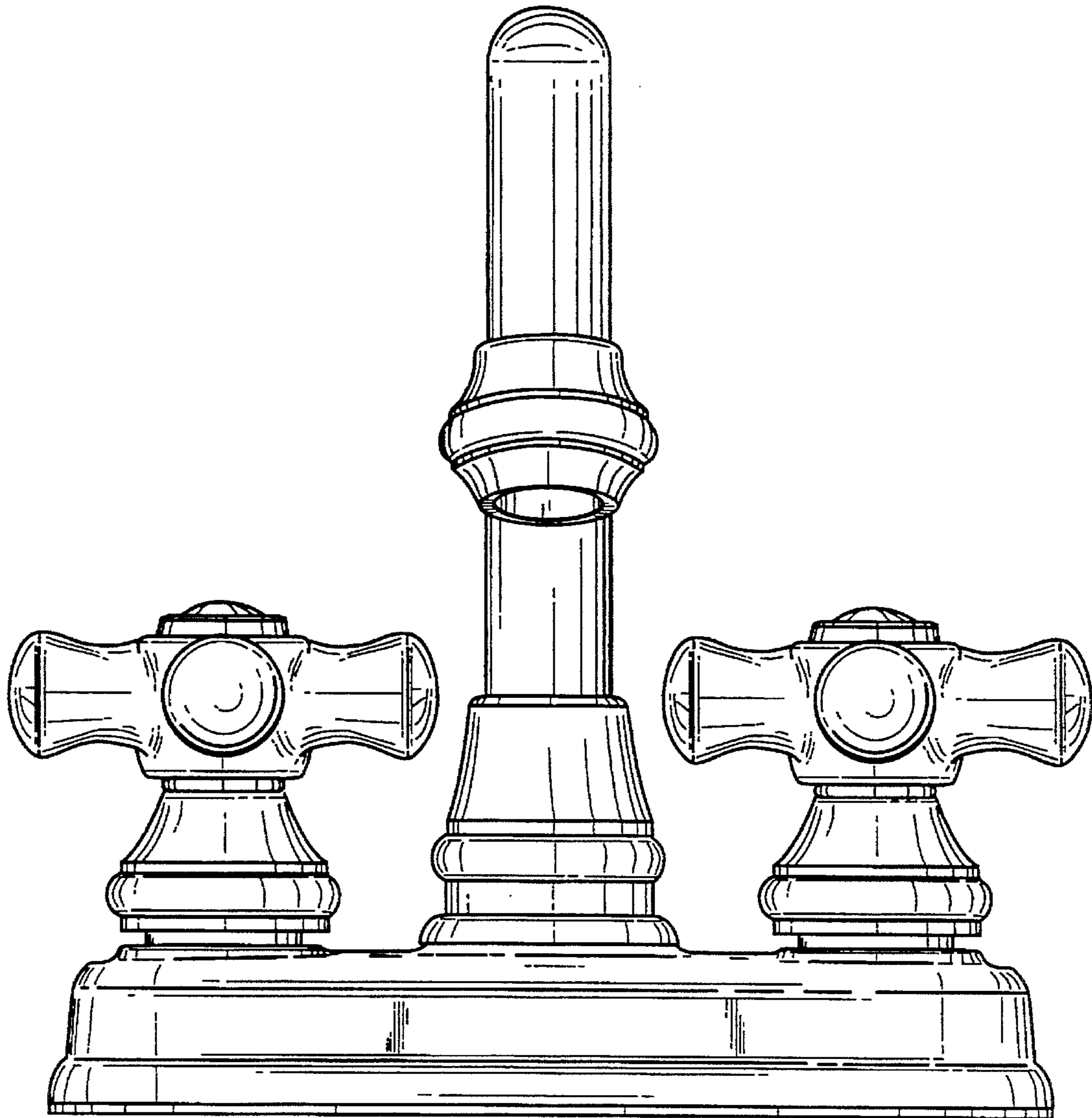


Fig. 1

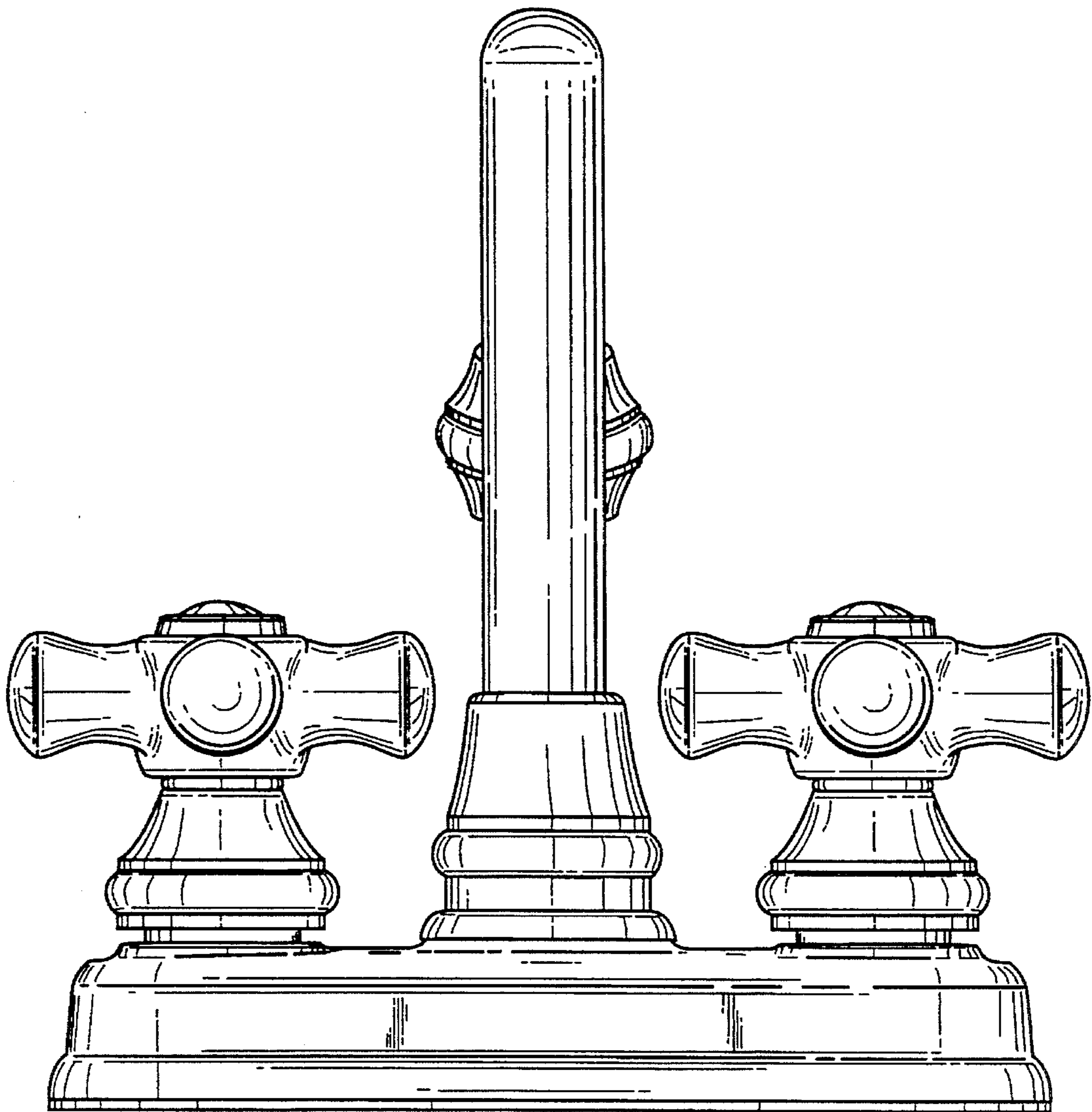


Fig. 2

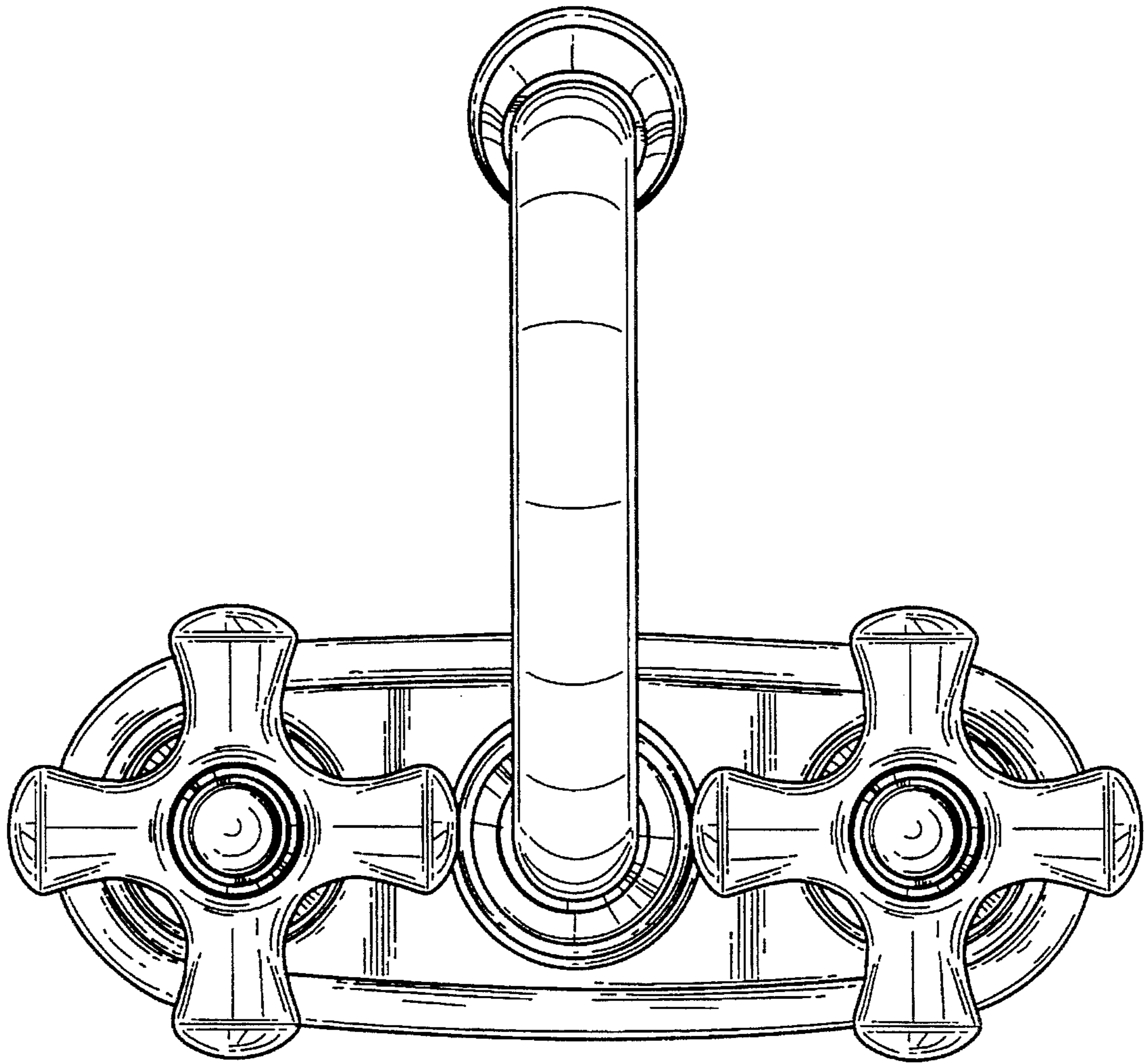


Fig. 3

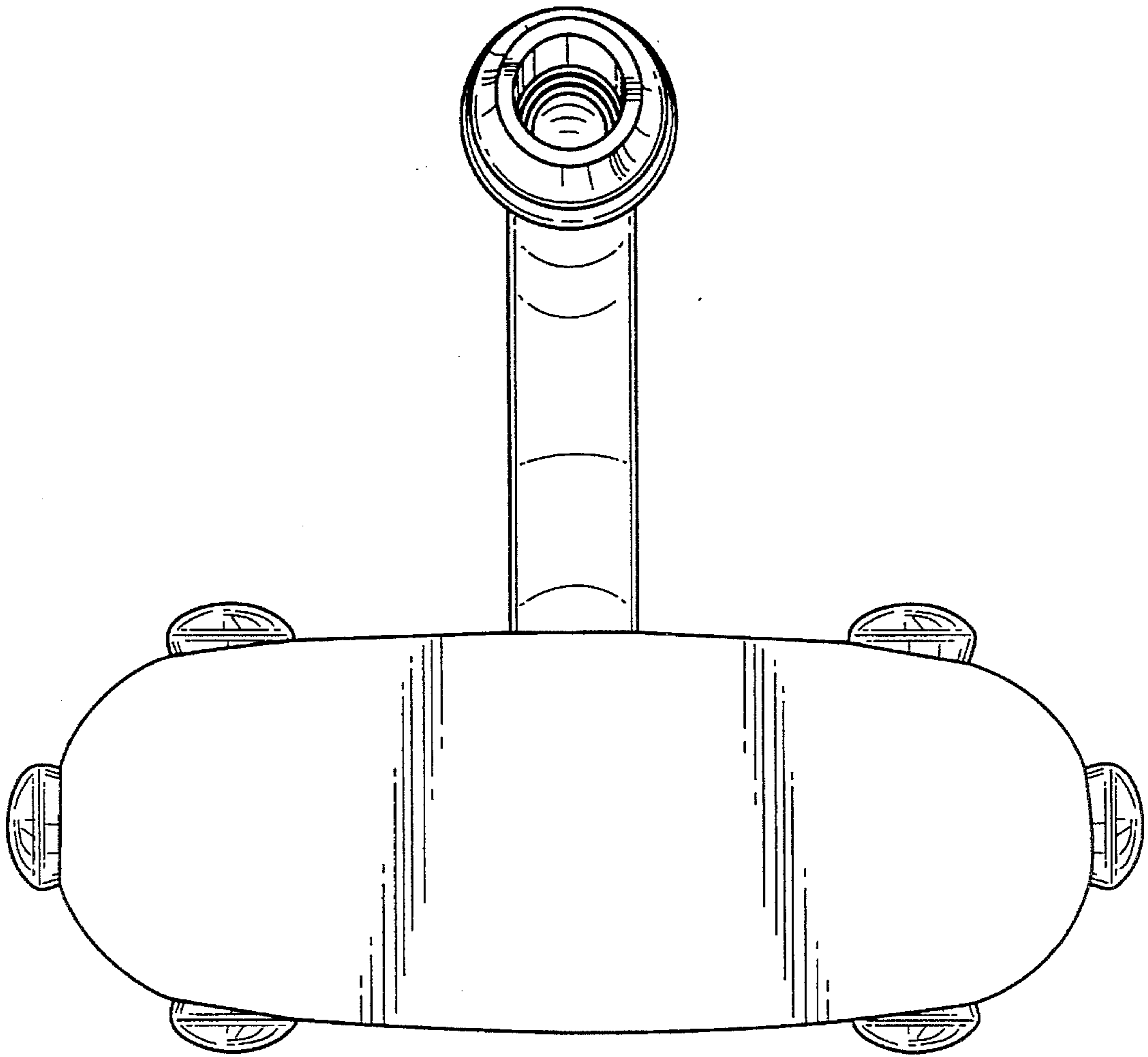


Fig. 4

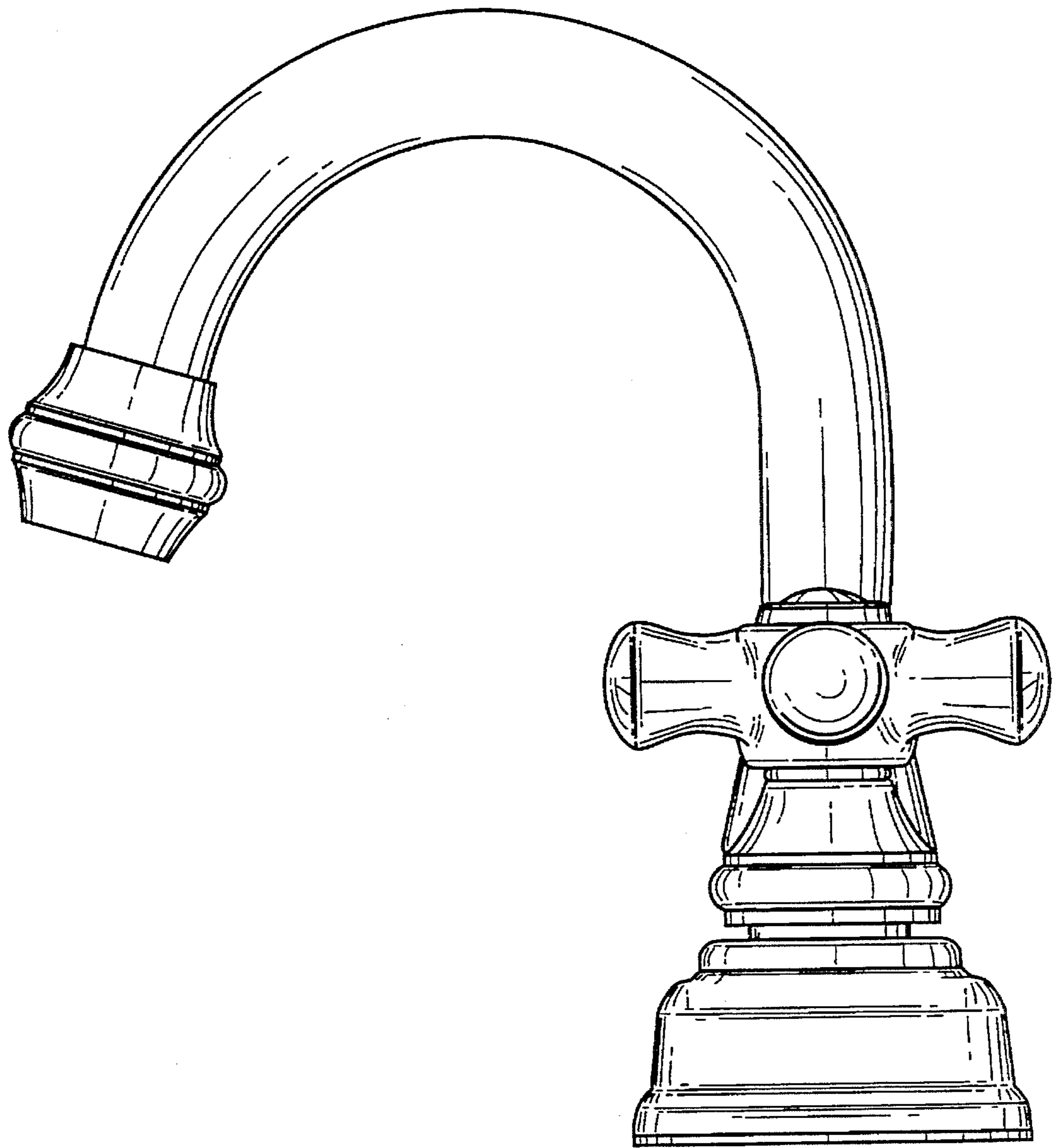


Fig. 5

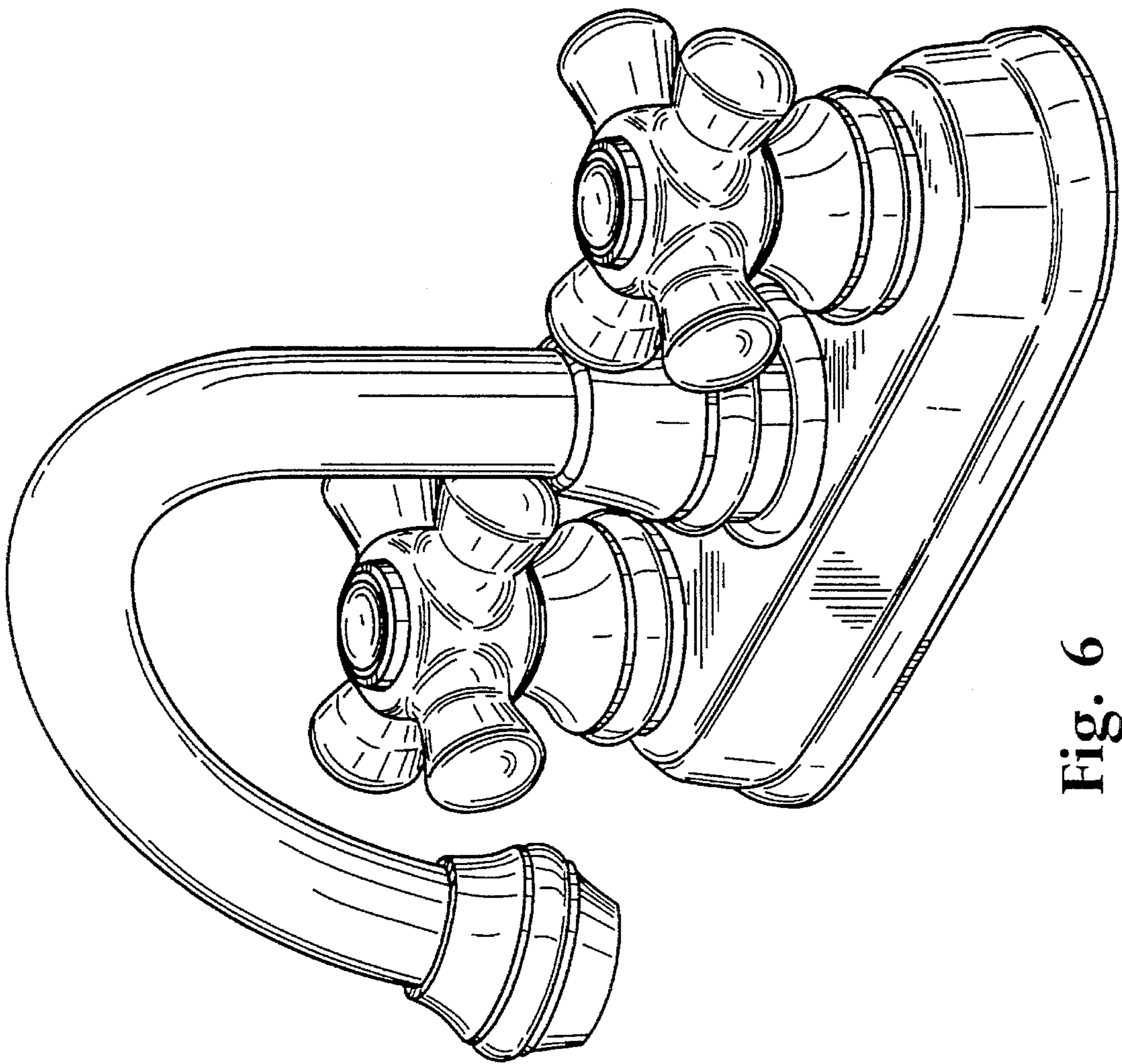


Fig. 6