



US00D363974S

United States Patent [19]
Doughty et al.

[11] **Patent Number:** **Des. 363,974**
[45] **Date of Patent:** ****Nov. 7, 1995**

[54] **FAUCET**

[75] Inventors: **Frederic C. Doughty**, S. Pasadena;
Darren M. Mark, Castaic, both of Calif.

[73] Assignee: **Emhart, Inc.**, Newark, Del.

[**] Term: **14 Years**

[21] Appl. No.: **33,978**

[22] Filed: **Jan. 25, 1995**

[52] U.S. Cl. **D23/241**

[58] Field of Search **D23/238-243,**
D23/250-258; 4/675, 676, 677, 678; 137/801

[56] **References Cited**

U.S. PATENT DOCUMENTS

- D. 87,328 7/1932 Brotz .
- D. 143,695 1/1946 Zinkil .
- D. 182,867 5/1958 Young .
- D. 207,044 2/1967 Hurwitz .
- D. 276,259 11/1984 Miller .
- D. 280,008 8/1985 Miller et al. .
- D. 280,010 8/1965 Miller et al. .
- D. 287,747 1/1987 Miller et al. .
- D. 288,835 3/1987 Yost .
- D. 288,836 3/1987 Yost D23/241
- D. 293,362 12/1987 Hill et al. .
- D. 295,550 5/1988 Yost .

- D. 295,551 5/1988 Yost .
- D. 312,495 11/1990 Joerger D23/242
- D. 314,813 2/1991 Jans .
- D. 318,906 8/1991 Spangler .
- D. 320,645 10/1991 Knapp et al. .
- D. 321,750 11/1991 Spangler .
- D. 323,375 1/1992 Razumov D23/242
- D. 327,944 7/1992 Stairs et al. .
- D. 328,782 8/1992 Paterson .
- D. 350,390 9/1994 Bollenbacher .
- D. 351,218 10/1994 Sieger .
- D. 352,095 11/1994 Bollenbacher .

Primary Examiner—Stella Reid
Assistant Examiner—Eric Watterson
Attorney, Agent, or Firm—J. Bruce Hoofnagle

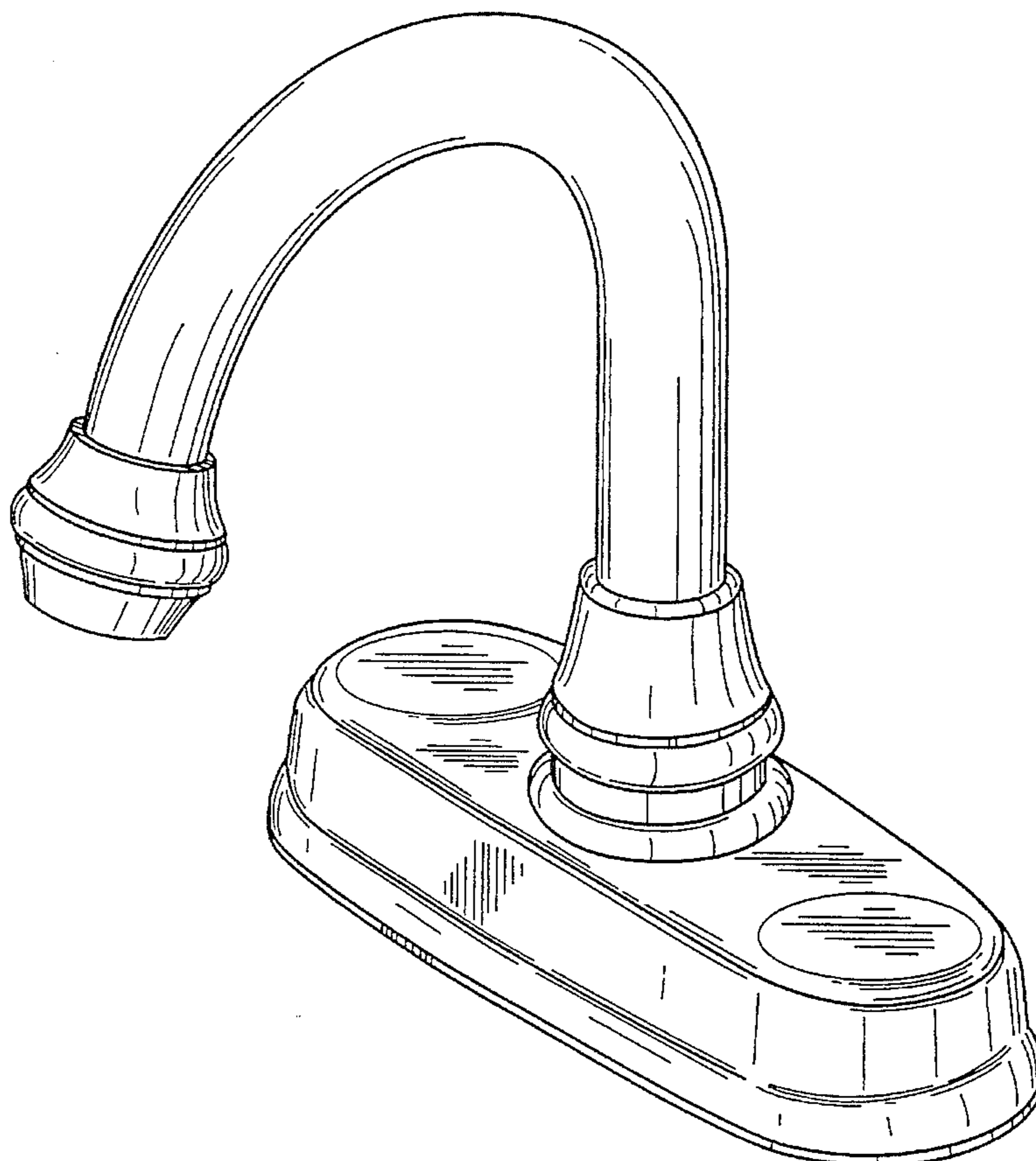
[57] **CLAIM**

The ornamental design for faucet, as shown and described.

DESCRIPTION

FIG. 1 is a front view of our new design of a faucet;
FIG. 2 is a rear view of our new design of the faucet;
FIG. 3 is a top view of our new design of the faucet;
FIG. 4 is a bottom view of our new design of the faucet;
FIG. 5 is a left side view of our new design of the faucet, a right side view thereof being a mirror image of the left side view; and,
FIG. 6 is a perspective view of our new design of the faucet.

1 Claim, 6 Drawing Sheets



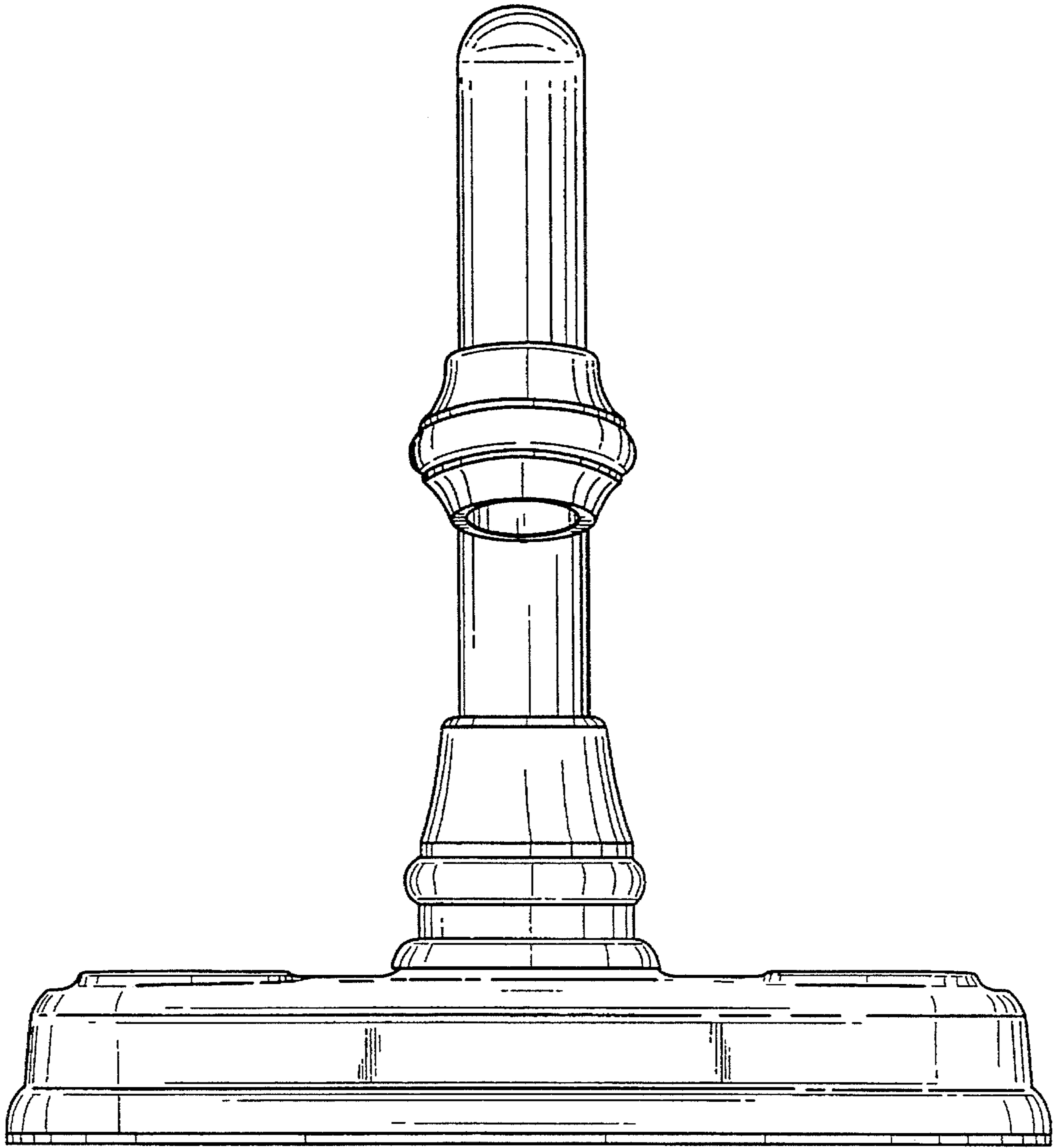


Fig. 1

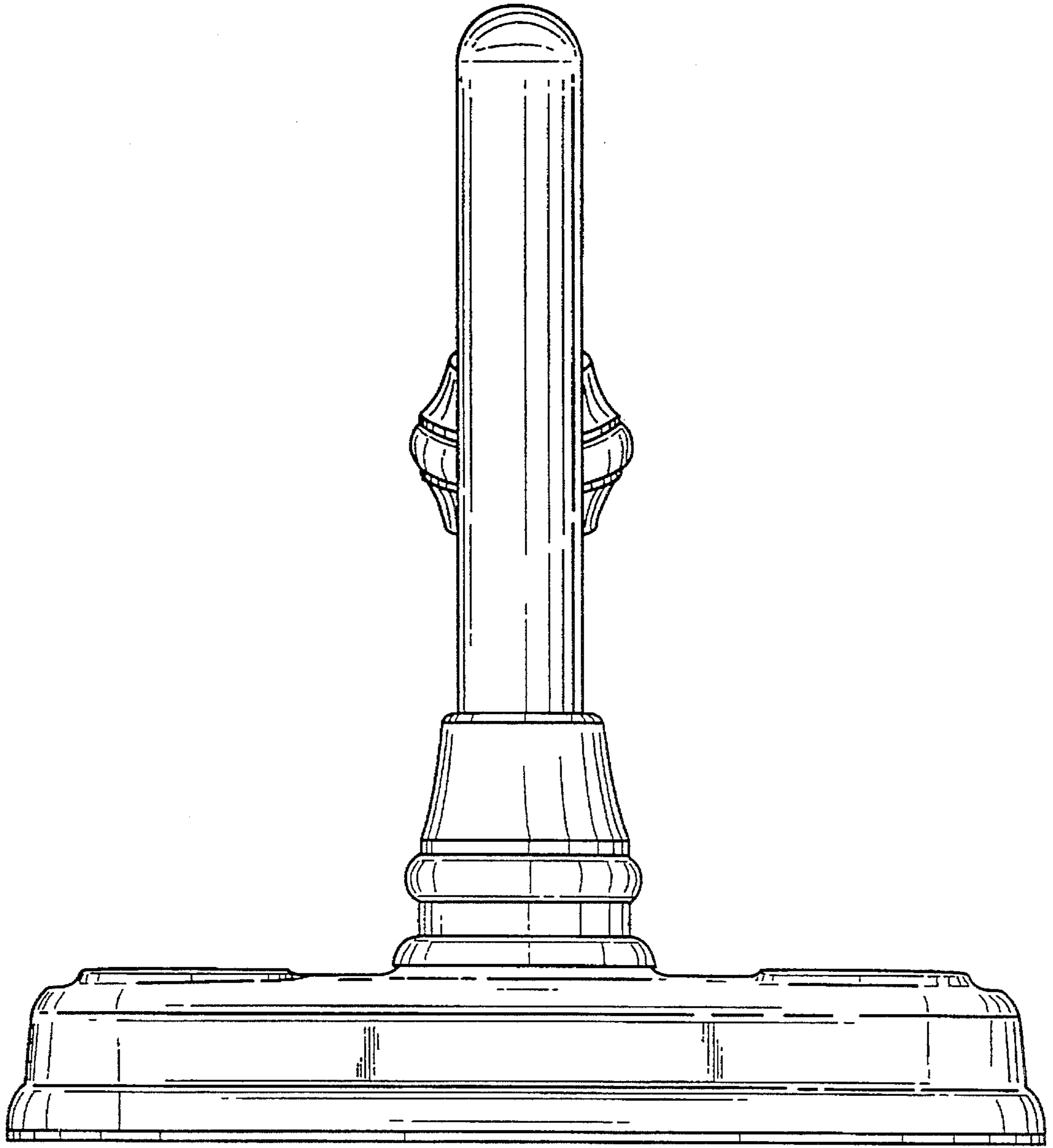


Fig. 2

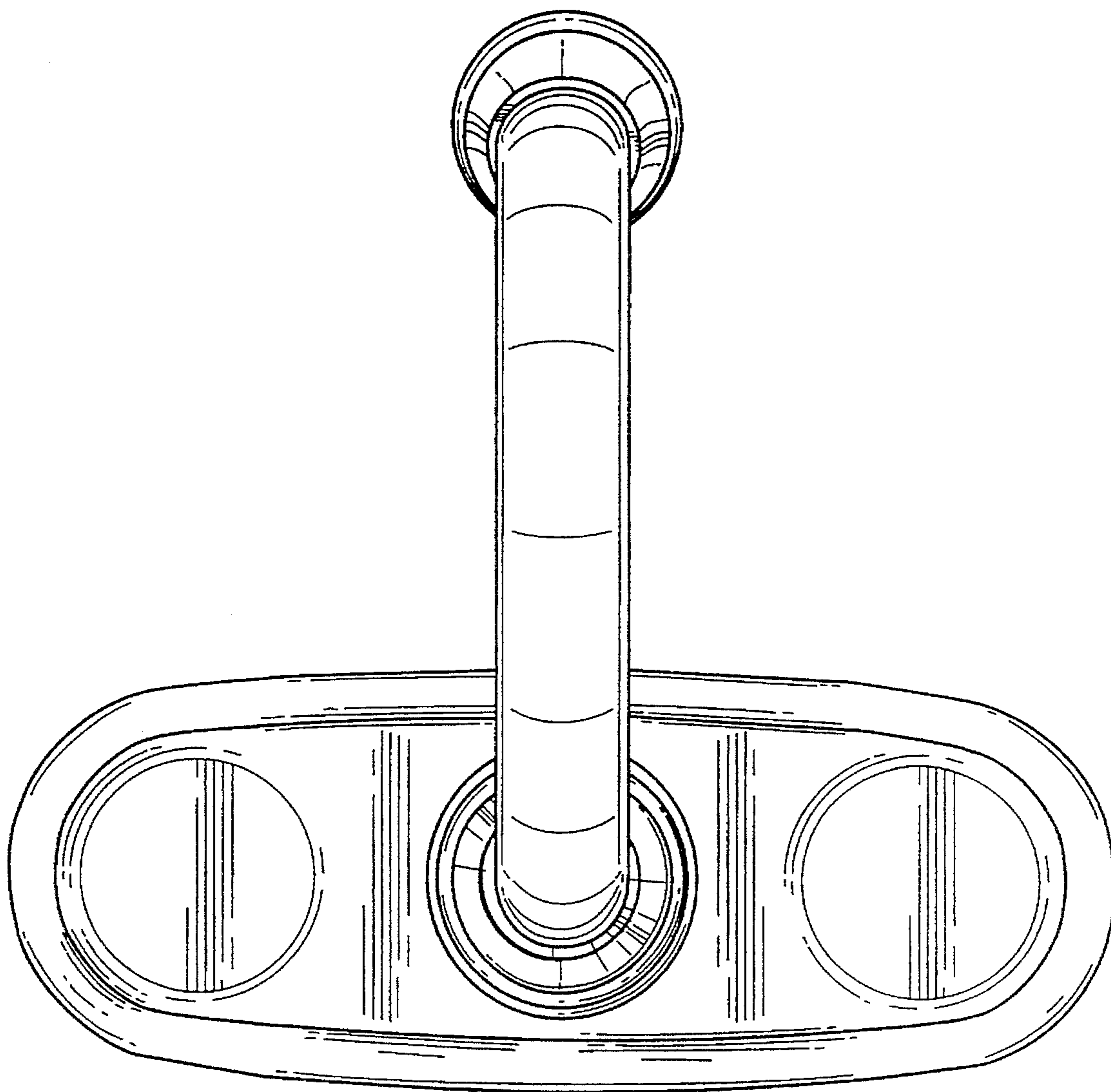


Fig. 3

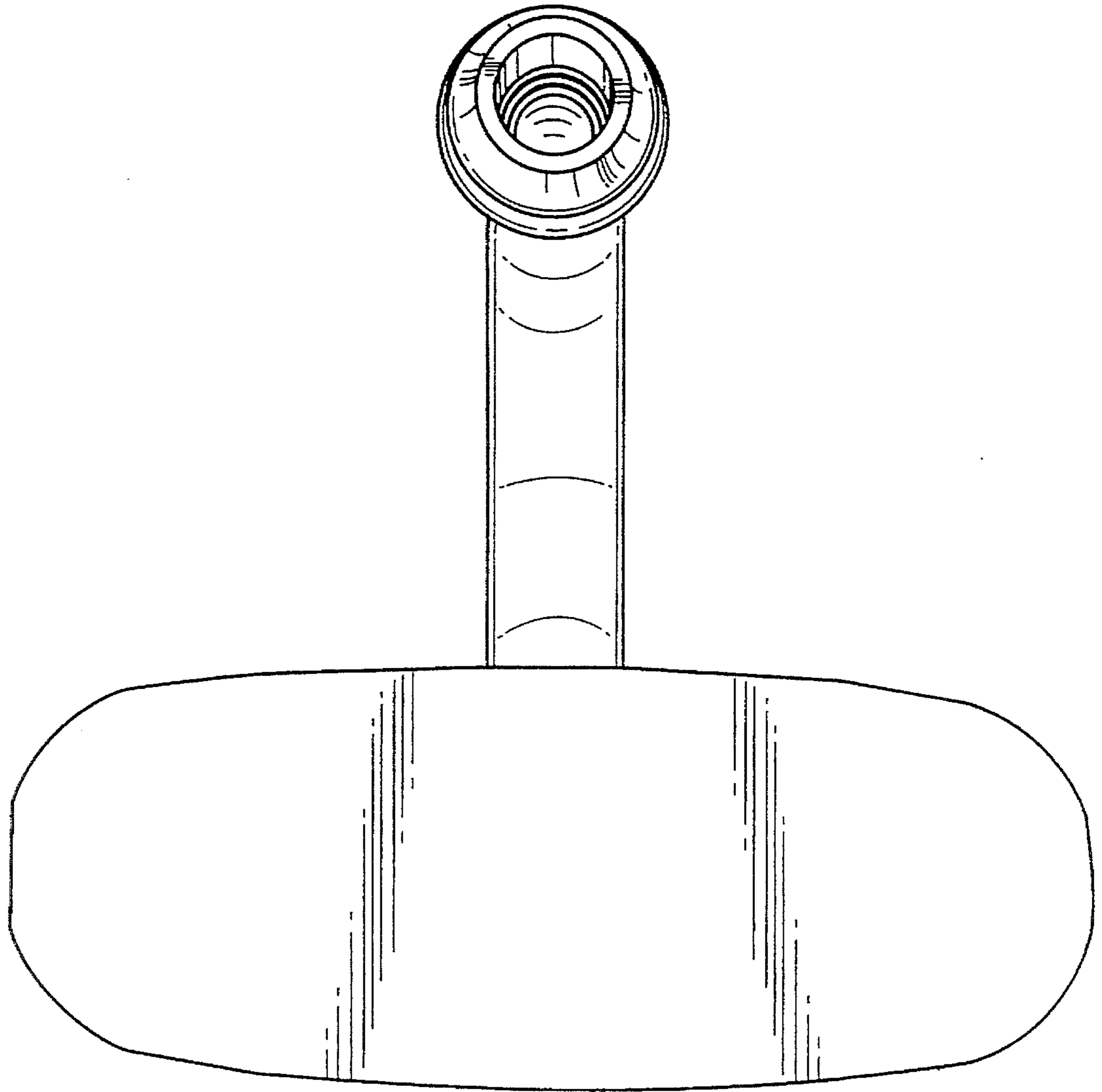


Fig. 4

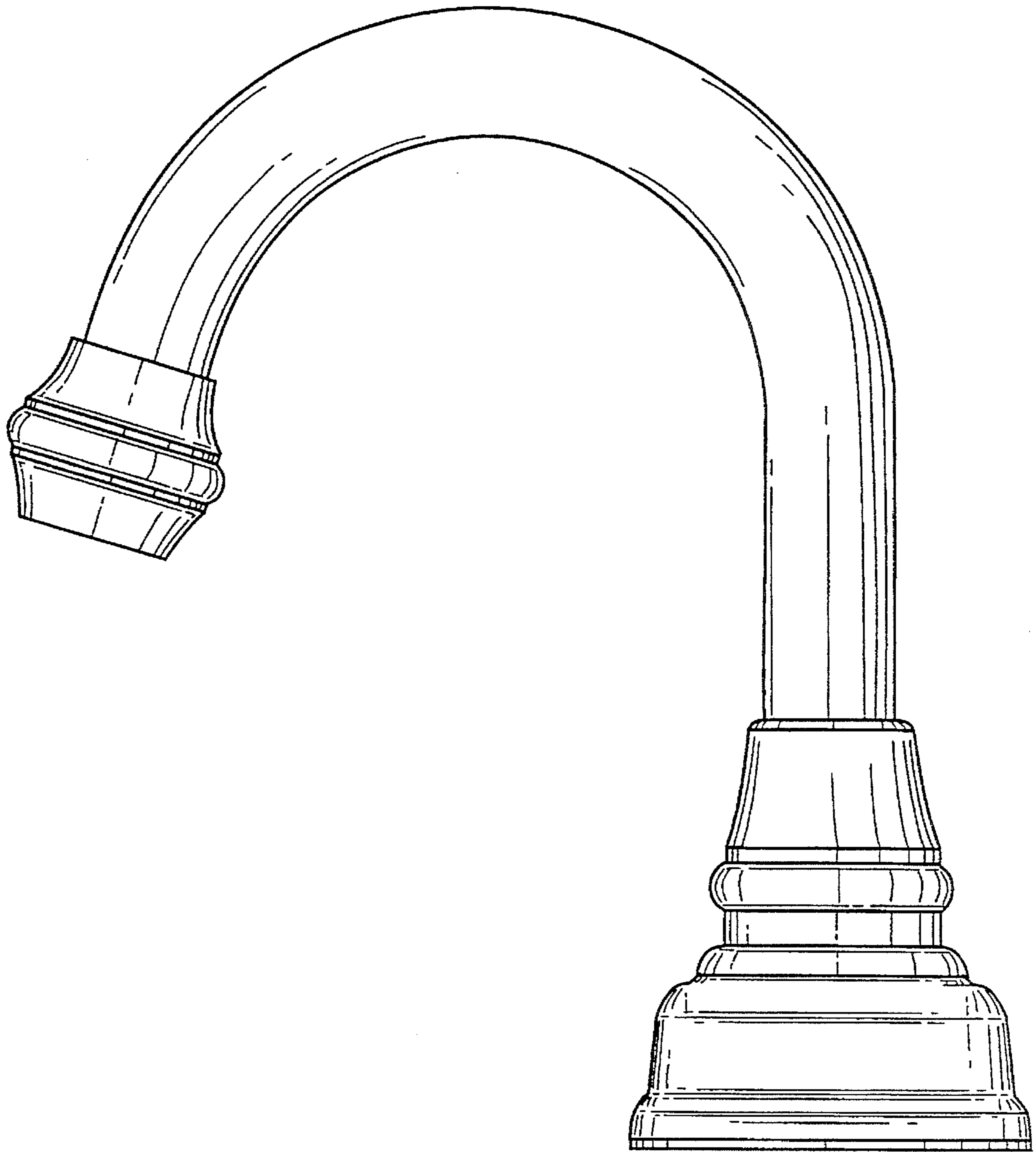


Fig. 5

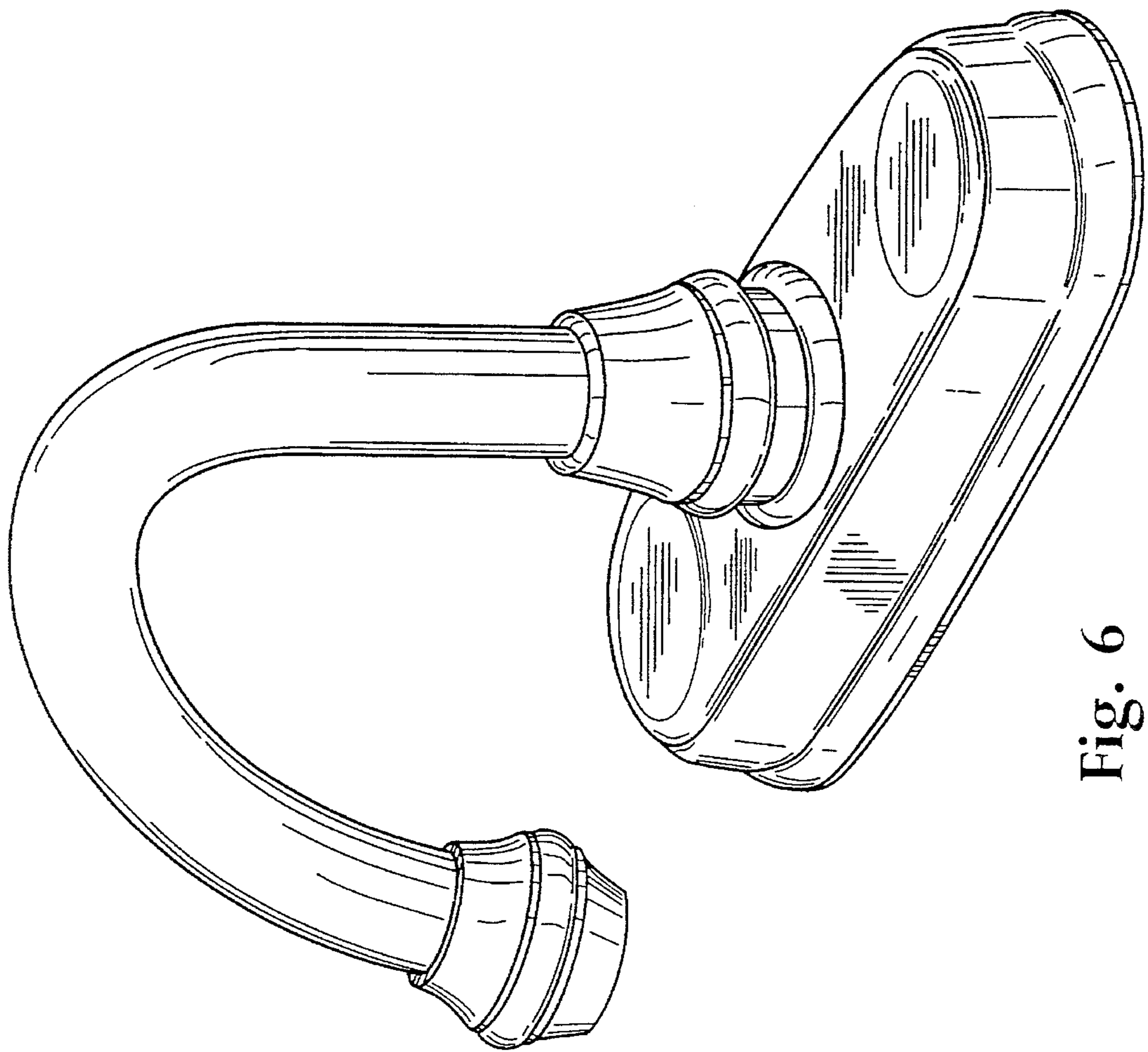


Fig. 6