



US00D363973S

# United States Patent [19]

Wang

[11] Patent Number: **Des. 363,973**

[45] Date of Patent: **\*\*Nov. 7, 1995**

[54] FAUCET

5,215,216 6/1993 Van Marcke ..... 4/678 X

[76] Inventor: **Wen-Mu Wang**, No. 32, Lane 266, Fu Te I Rd., Hsi Tze Chen, Taipei, Taiwan

*Primary Examiner*—Stella Reid  
*Assistant Examiner*—Eric Watterson  
*Attorney, Agent, or Firm*—Varndell Legal Group

[\*\*] Term: **14 Years**

[57] **CLAIM**

[21] Appl. No.: **27,564**

The ornamental design for a faucet, as shown and described.

[22] Filed: **Aug. 26, 1994**

**DESCRIPTION**

[52] U.S. Cl. .... **D23/238**

[58] Field of Search ..... D23/215, 223,  
D23/238-243, 255-258; 4/596, 597, 661,  
675, 676, 677, 678; 137/801

FIG. 1 is a perspective view of a faucet showing my new design;

FIG. 2 is a front elevational view thereof;

FIG. 3 is a top plan view thereof;

FIG. 4 is a bottom plan view thereof;

FIG. 5 is a left side elevational view thereof;

FIG. 6 is a right side elevational view thereof; and,

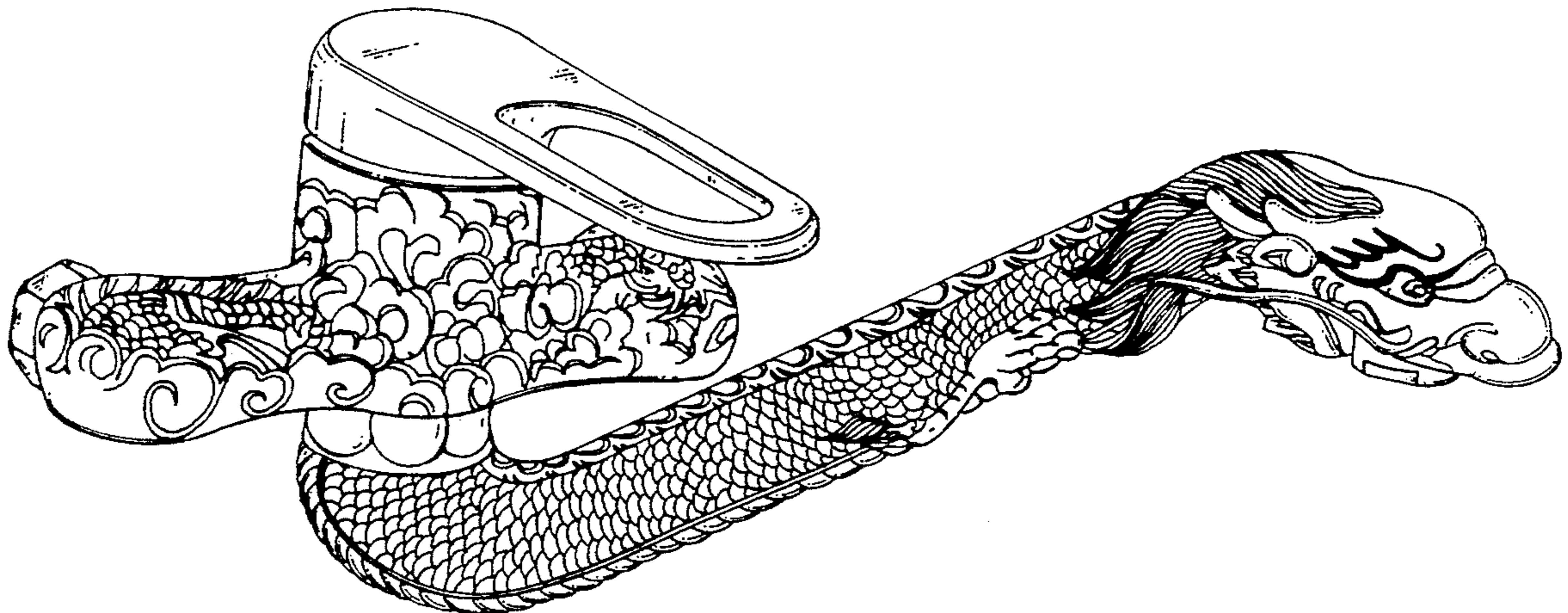
FIG. 7 is a rear elevational view thereof.

[56] **References Cited**

**U.S. PATENT DOCUMENTS**

- D. 177,675 5/1956 Horwitz ..... D23/222
- D. 231,229 4/1974 Du Bois ..... D23/255
- D. 284,886 7/1986 Joerger ..... D23/241

**1 Claim, 7 Drawing Sheets**



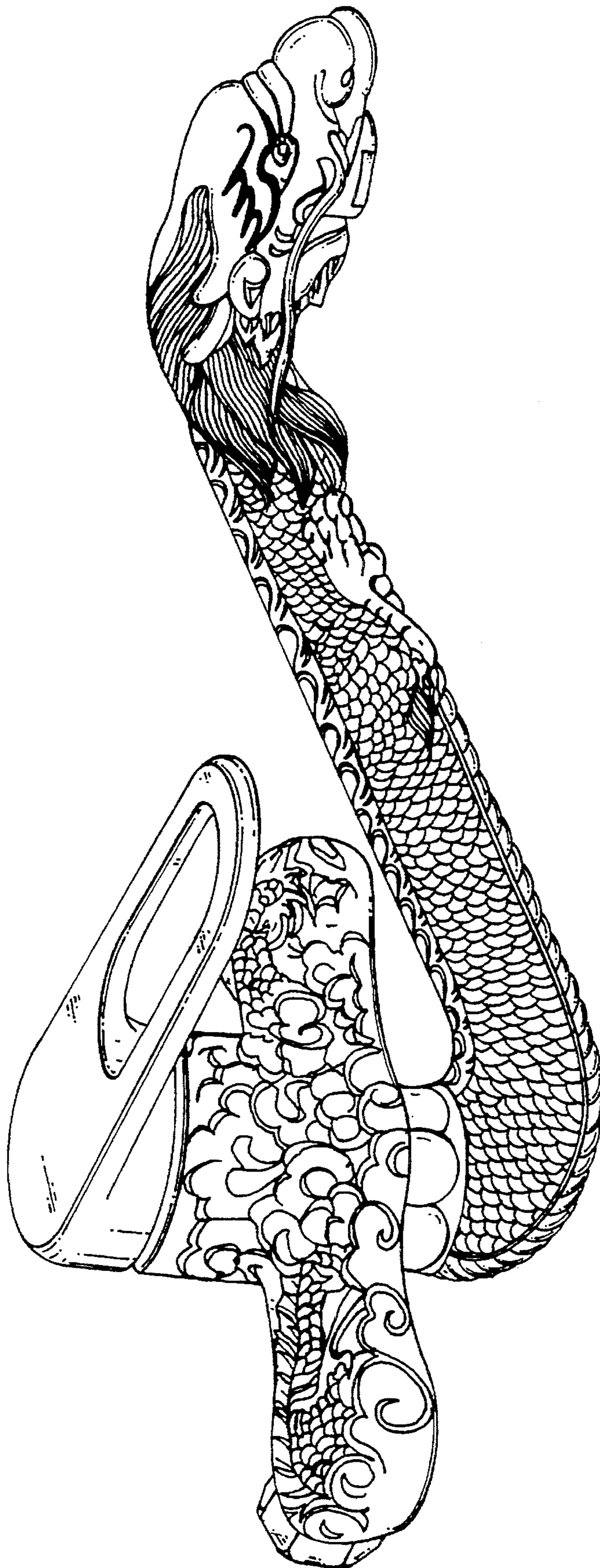


Fig. 1

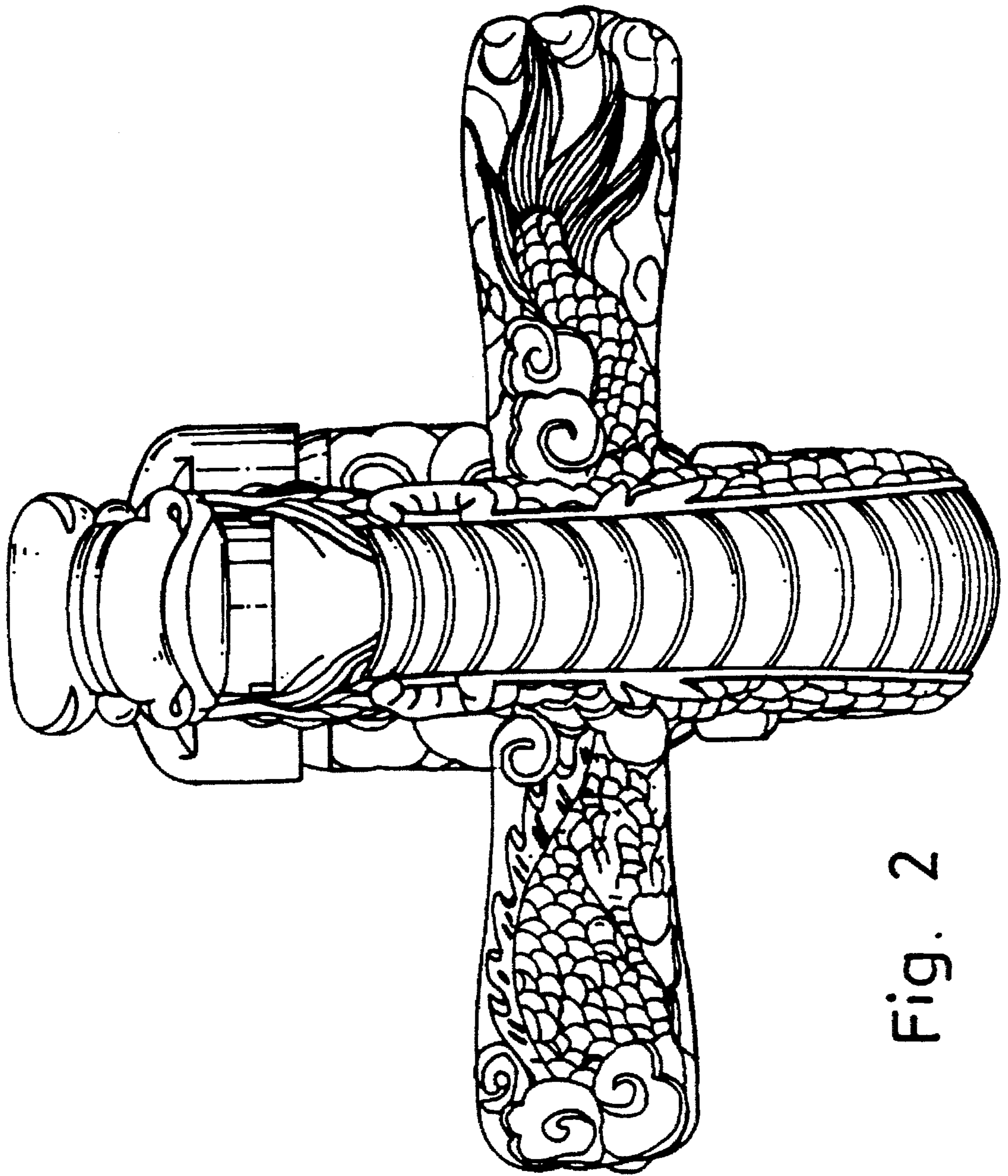


Fig. 2

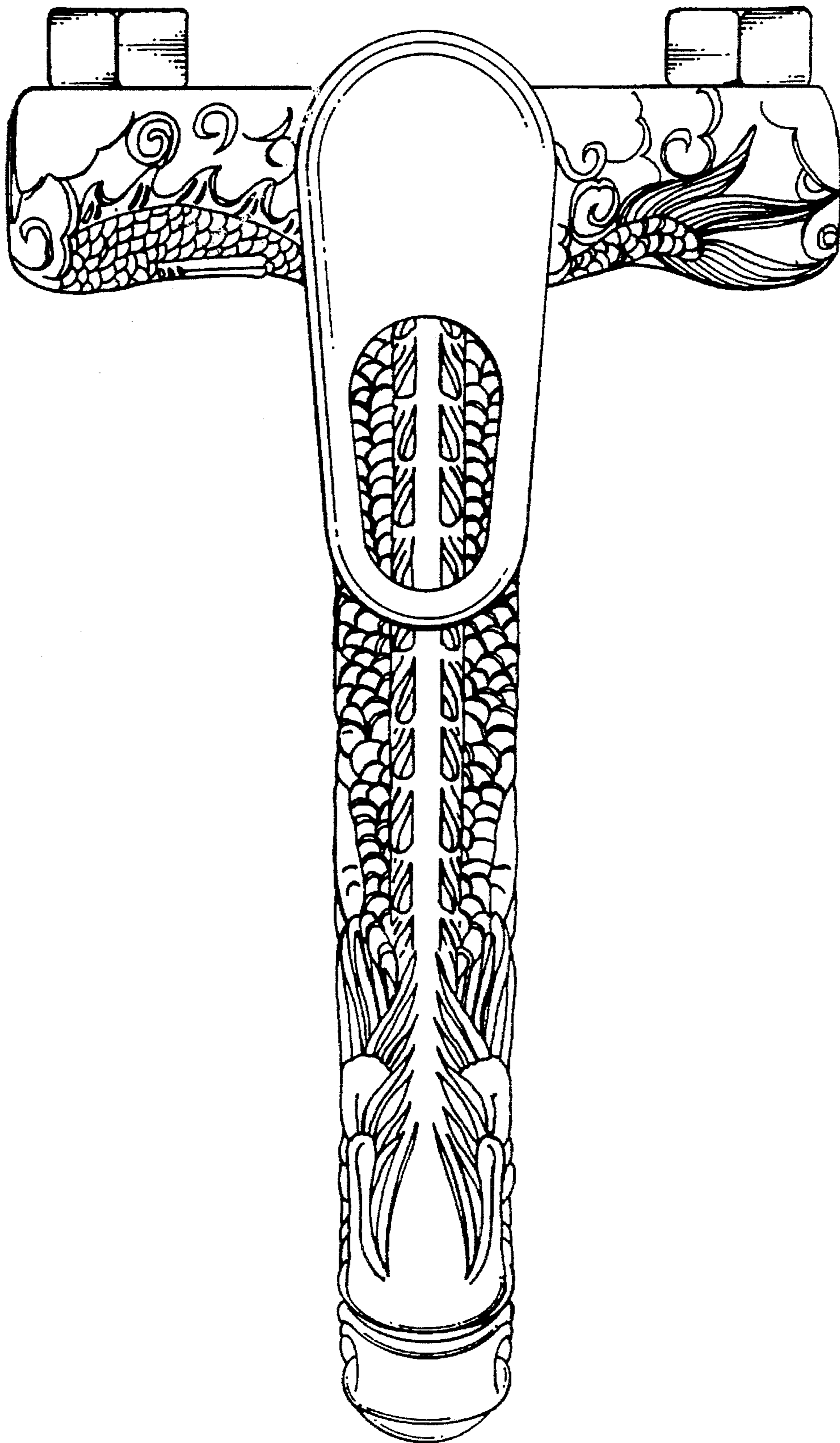


Fig. 3

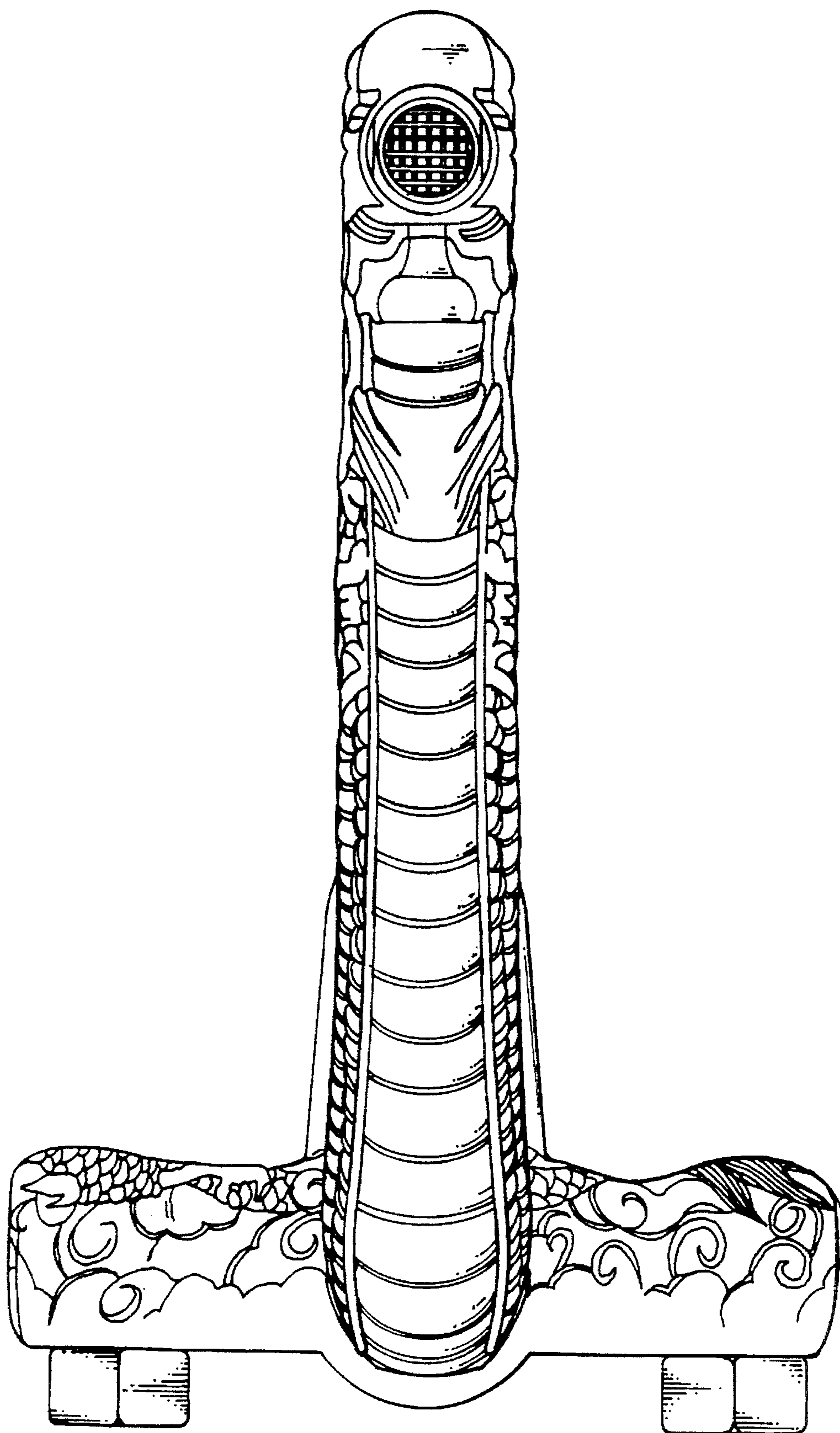


Fig. 4

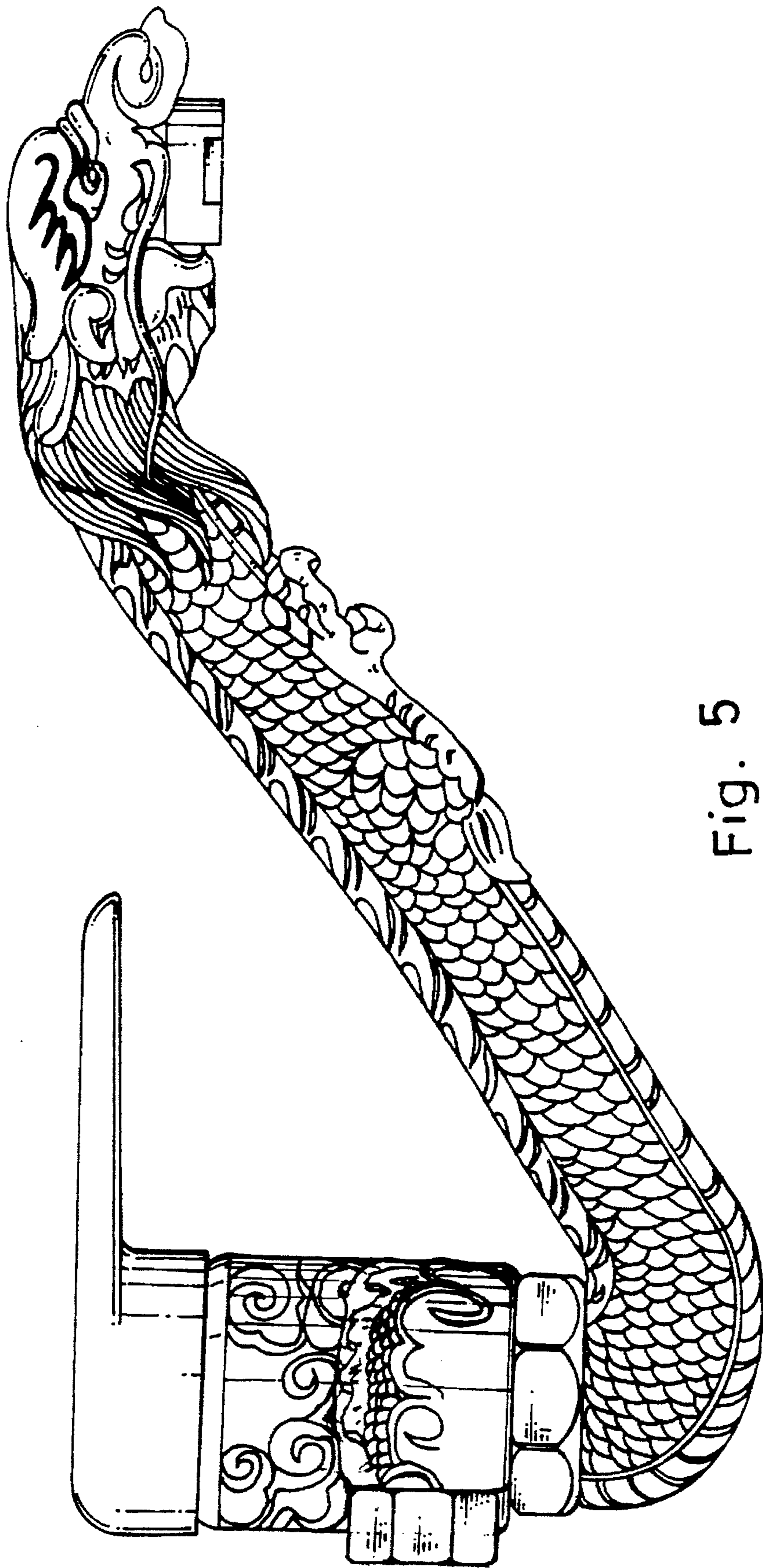


Fig. 5

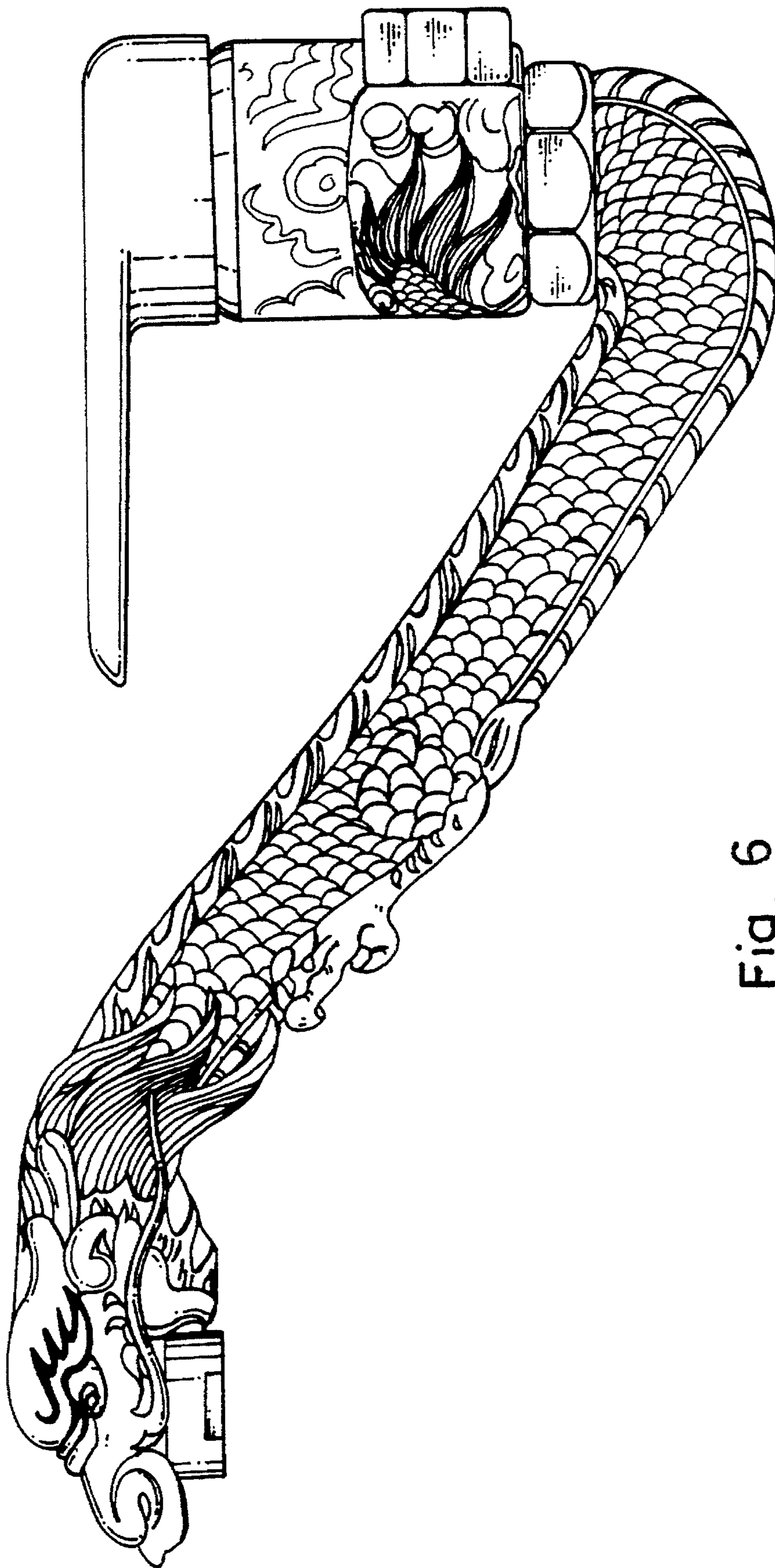


Fig. 6

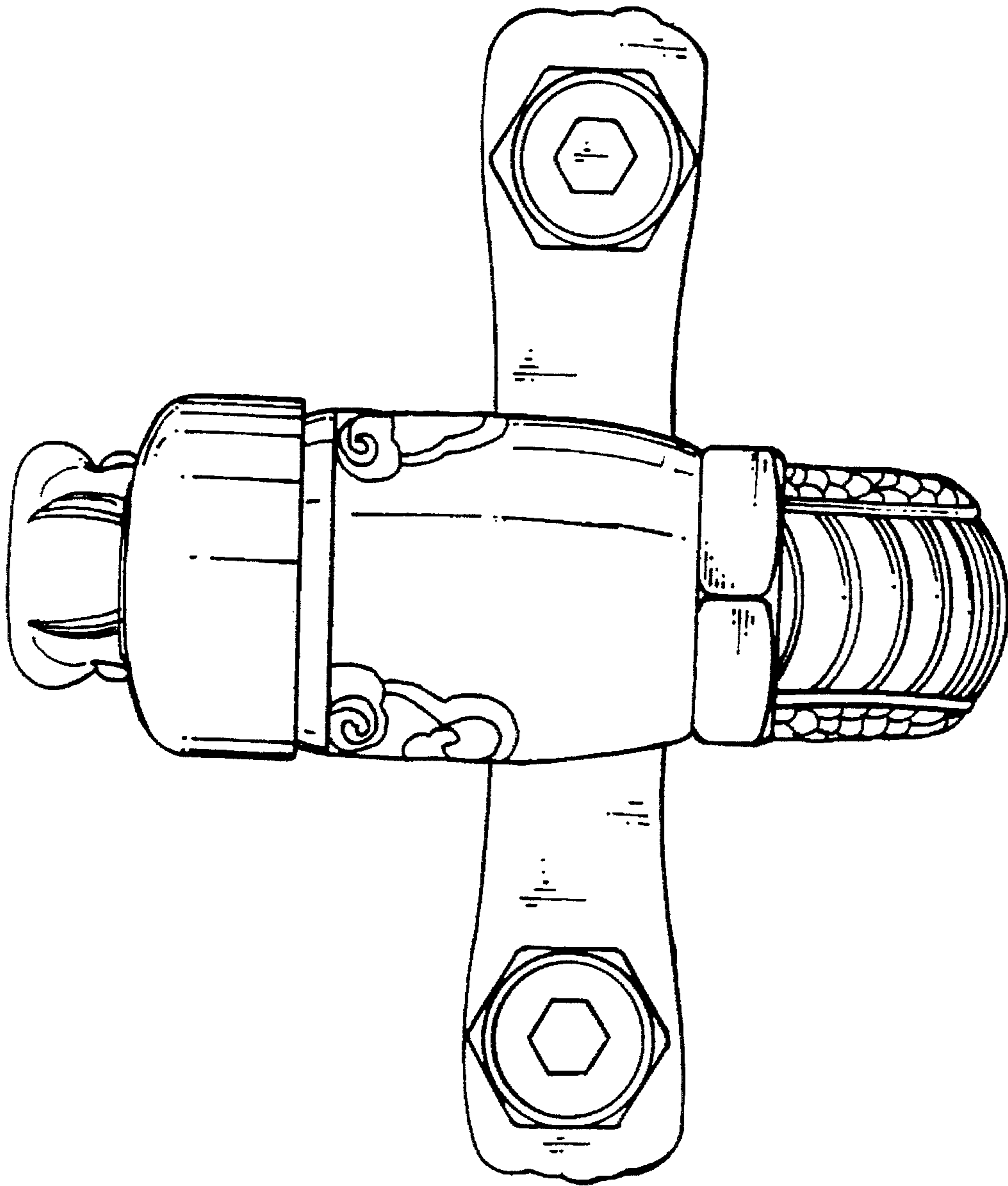


Fig. 7