



US00D363972S

# United States Patent [19] Huen

[11] Patent Number: **Des. 363,972**  
[45] Date of Patent: **\*\*Nov. 7, 1995**

## [54] HAND-HELD SHOWER

[75] Inventor: **Hing W. Huen**, Kowloon, Hong Kong

[73] Assignee: **Quesco International (H.K.) Ltd.**,  
Hong Kong, Hong Kong

[\*\*] Term: **14 Years**

[21] Appl. No.: **22,197**

[22] Filed: **Apr. 29, 1994**

### [30] Foreign Application Priority Data

Jan. 28, 1994 [GB] United Kingdom ..... 2036660

[52] U.S. Cl. .... **D23/223**

[58] Field of Search ..... D23/213, 223-229;  
239/443-449, 460, 414-415, 394, 373,  
525-528

### [56] References Cited

#### U.S. PATENT DOCUMENTS

D. 241,546	9/1976	Rizzuto	.....	D23/223
D. 267,582	1/1983	Mackay et al.	.....	D23/223
D. 289,545	4/1987	Koch	.....	D23/223
D. 339,187	9/1993	Haynes	.....	D23/213

*Primary Examiner*—Susan J. Lucas

*Assistant Examiner*—Robin V. Taylor

*Attorney, Agent, or Firm*—Browning, Bushman, Anderson  
& Brookhart

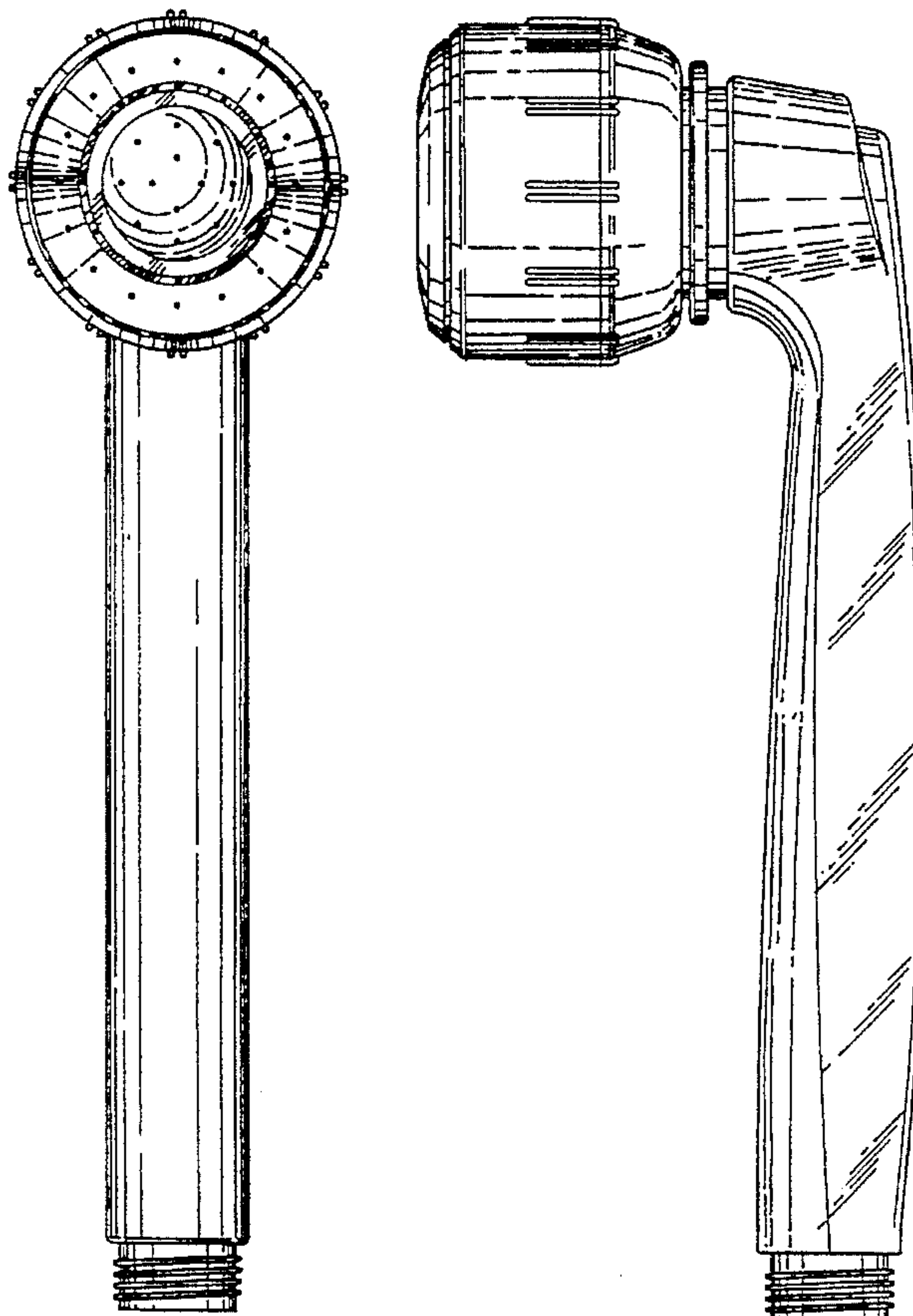
## [57] CLAIM

The ornamental design for a hand-held shower, as shown and described.

## DESCRIPTION

FIG. 1 is a front elevational view of the hand held shower; FIG. 2 is a right-side elevational view thereof; FIG. 3 is a rear elevational view thereof; FIG. 4 is a top-end elevational view thereof; FIG. 5 is a bottom-end elevational view thereof; FIG. 6 is a front elevational view of another embodiment of the hand-held shower; FIG. 7 is a right-side elevational view thereof; FIG. 8 is a rear elevational view thereof; FIG. 9 is a top-end elevational view thereof; FIG. 10 is a bottom-end elevational view thereof; FIG. 11 is a front elevational view of the hand held shower and third showering attachment; FIG. 12 is a right-side elevational view thereof; FIG. 13 is a rear elevational view thereof; FIG. 14 is a top-end elevational view thereof; FIG. 15 is a bottom-end elevational view thereof; FIG. 16 is a front elevational view of another embodiment of the hand-held shower; FIG. 17 is a right-side elevational view thereof; FIG. 18 is a rear elevational view thereof; FIG. 19 is a top-end elevational view thereof; and, FIG. 20 is a bottom-end elevational view thereof.

**1 Claim, 4 Drawing Sheets**



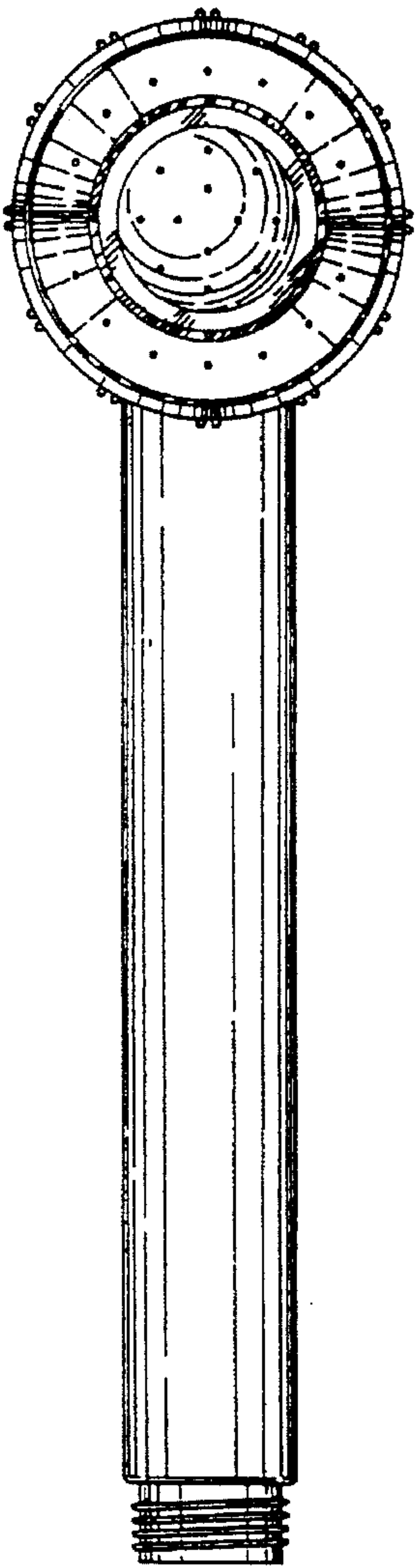


FIG. 1

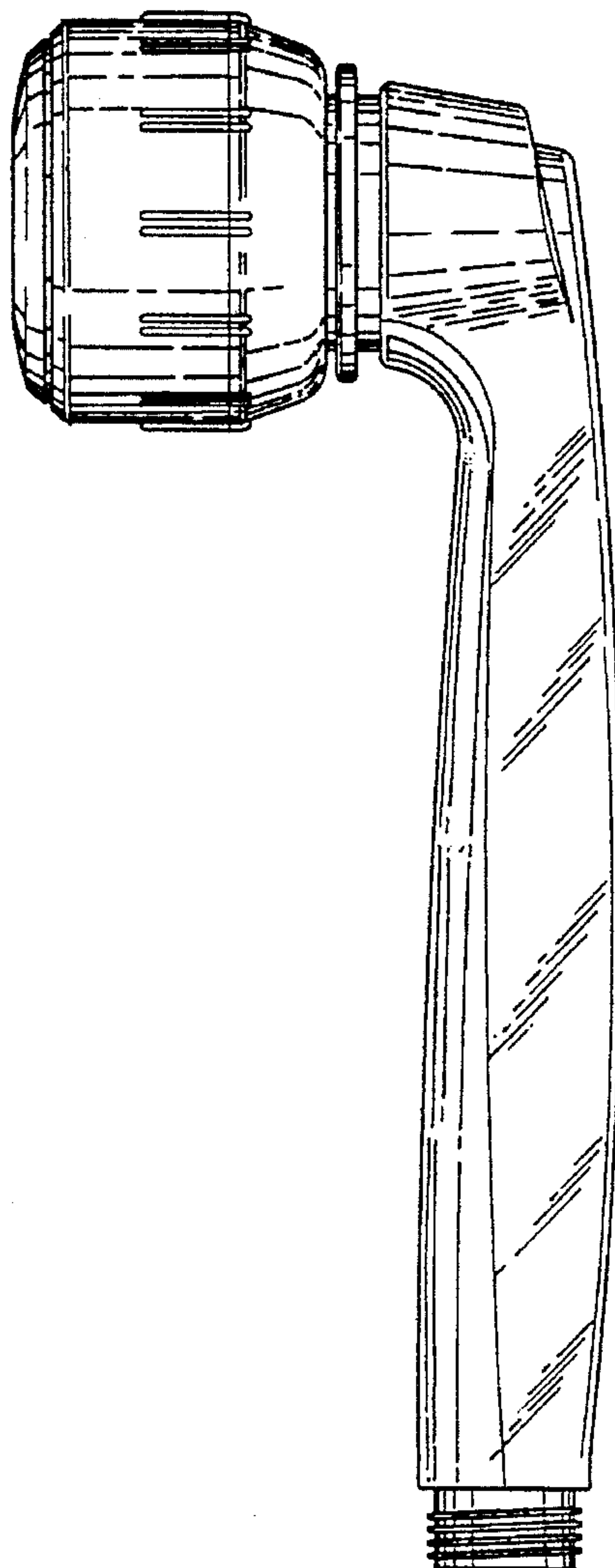


FIG. 2

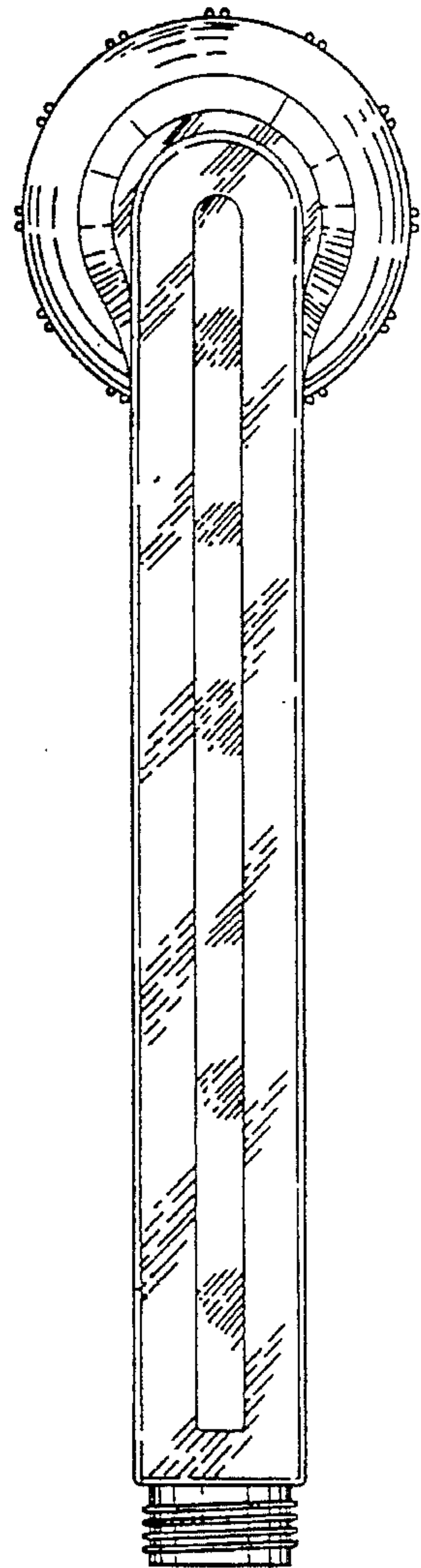


FIG. 3

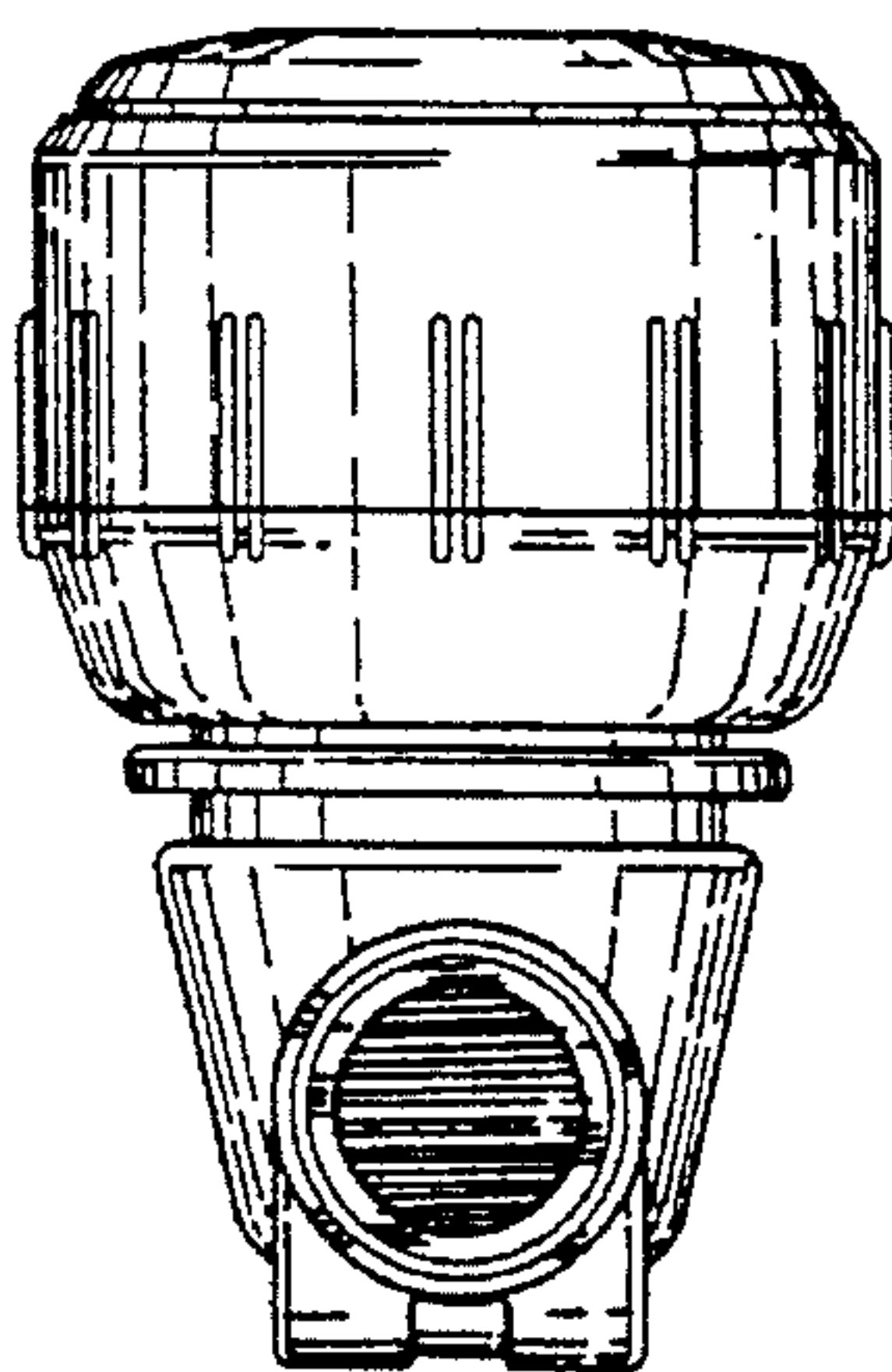


FIG. 5

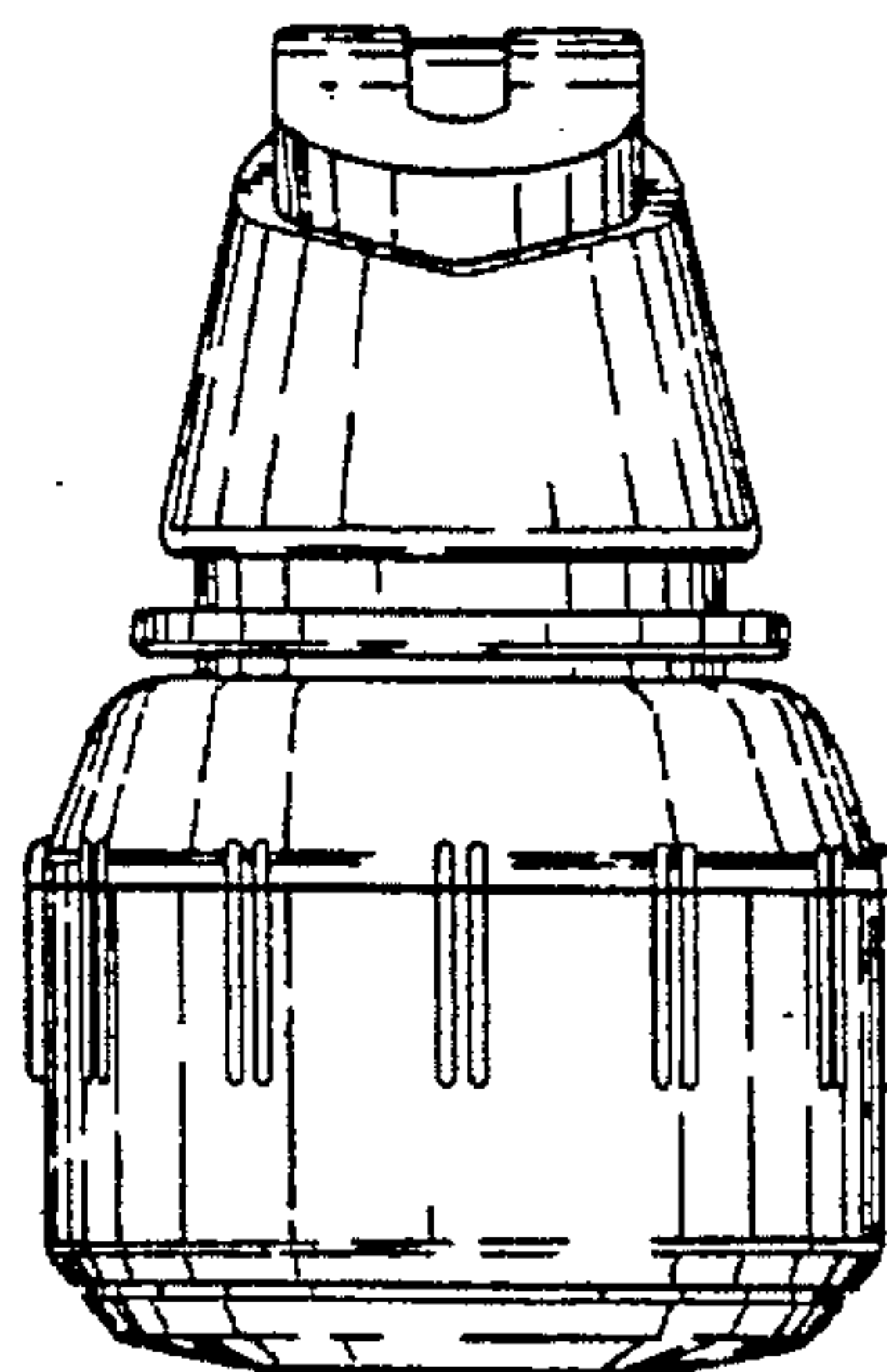


FIG. 4



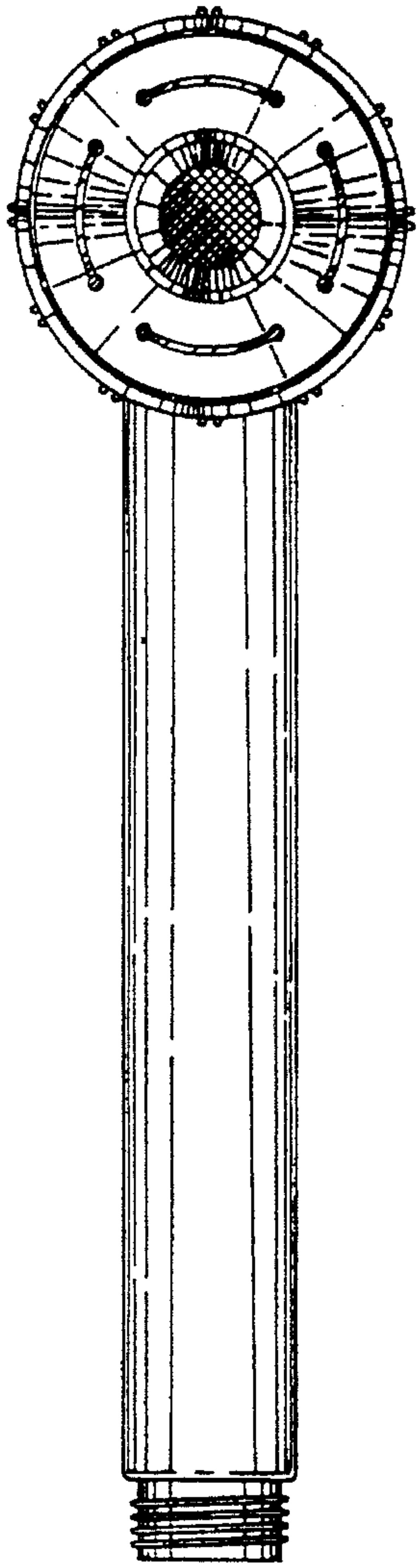


FIG. 6

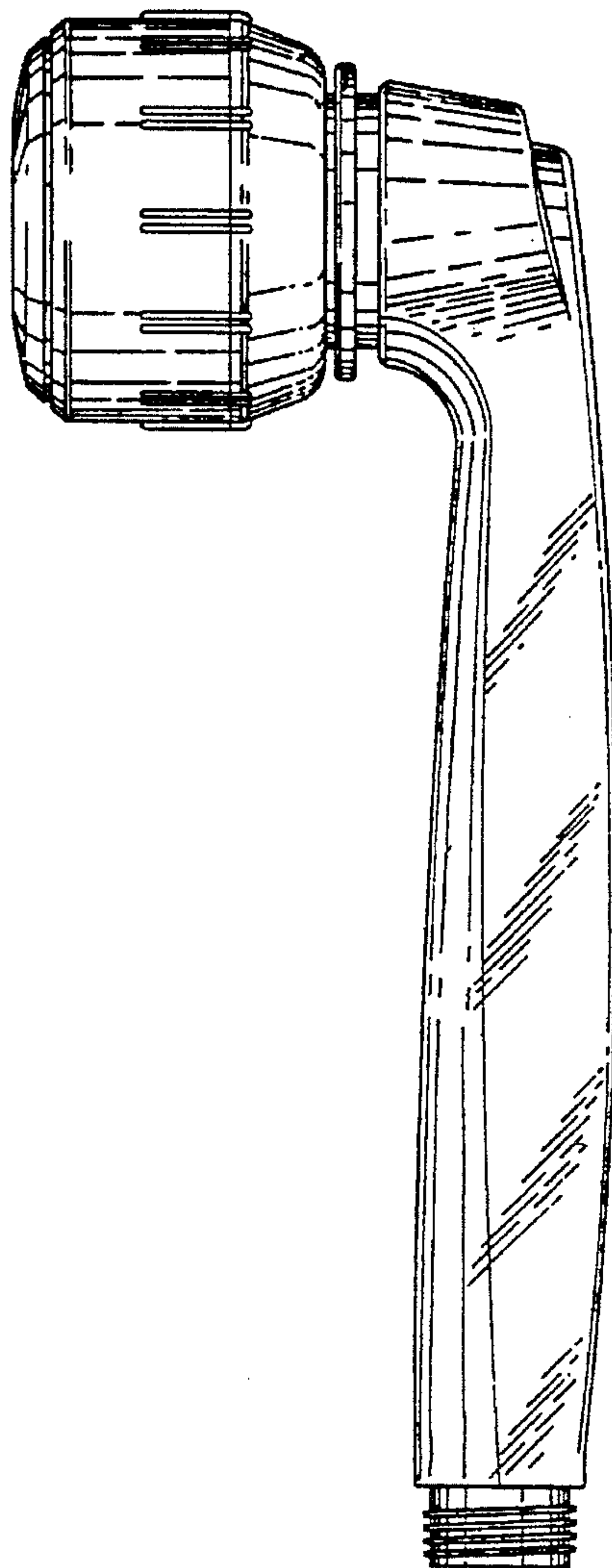


FIG. 7

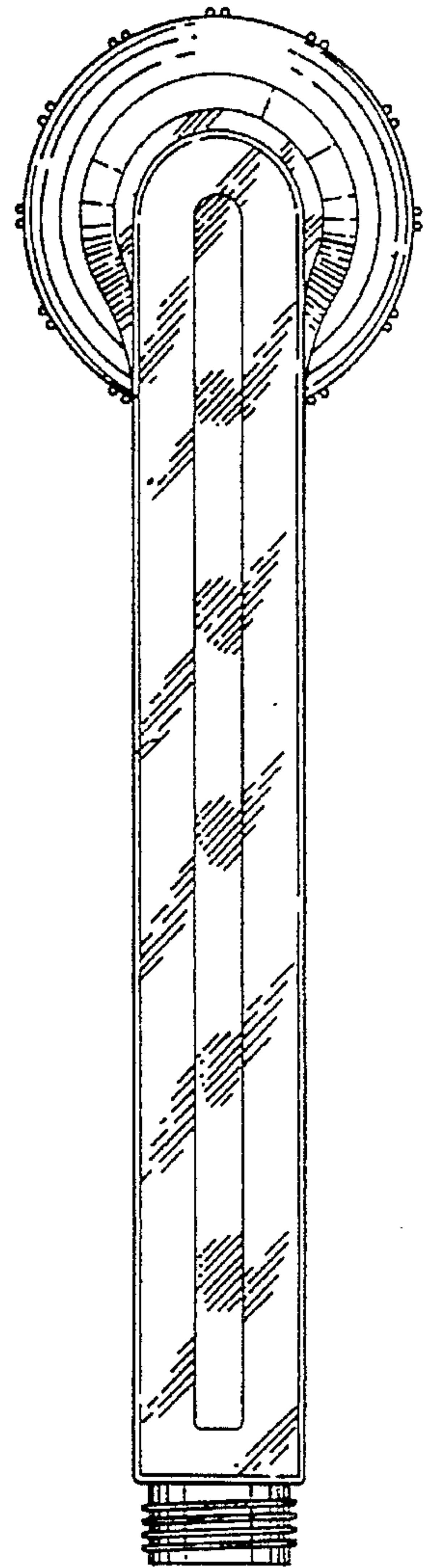


FIG. 8

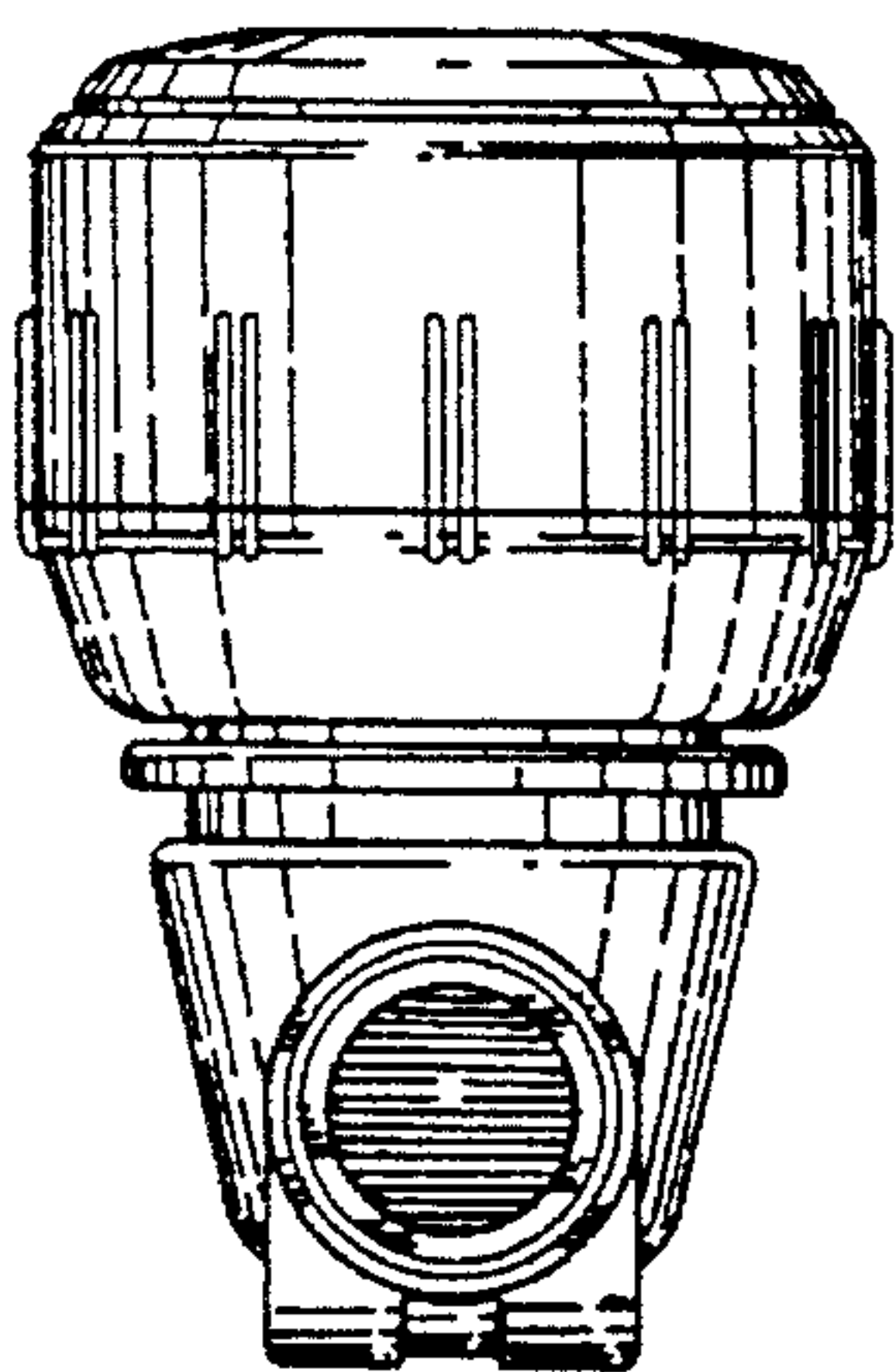


FIG. 10

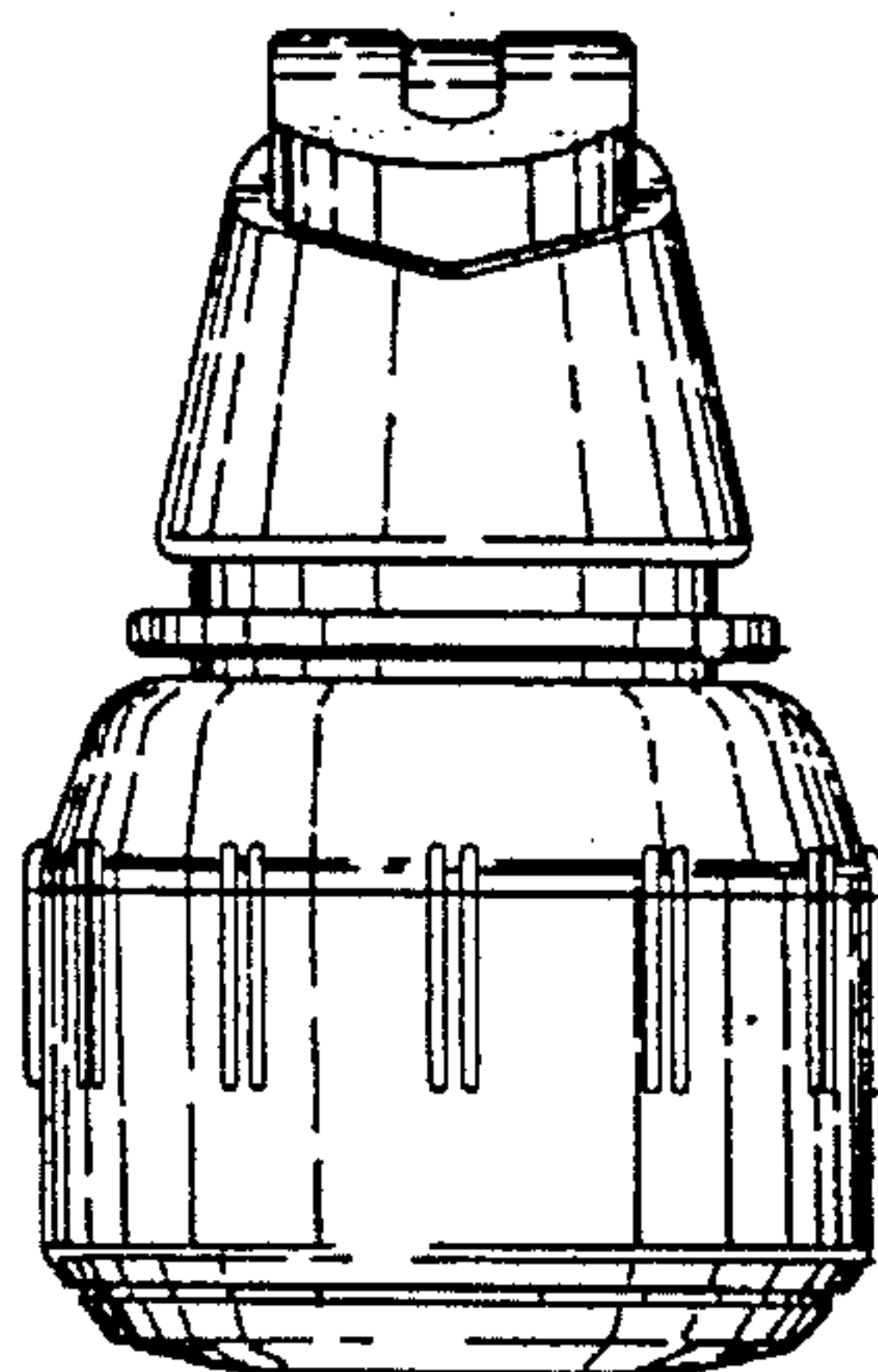


FIG. 9

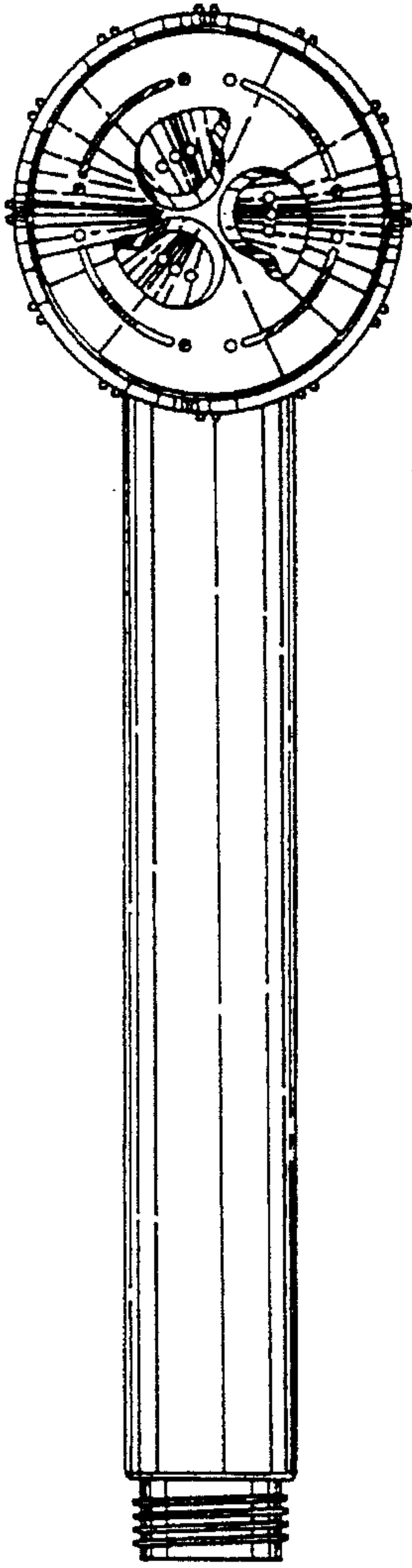


FIG. 11



FIG. 12

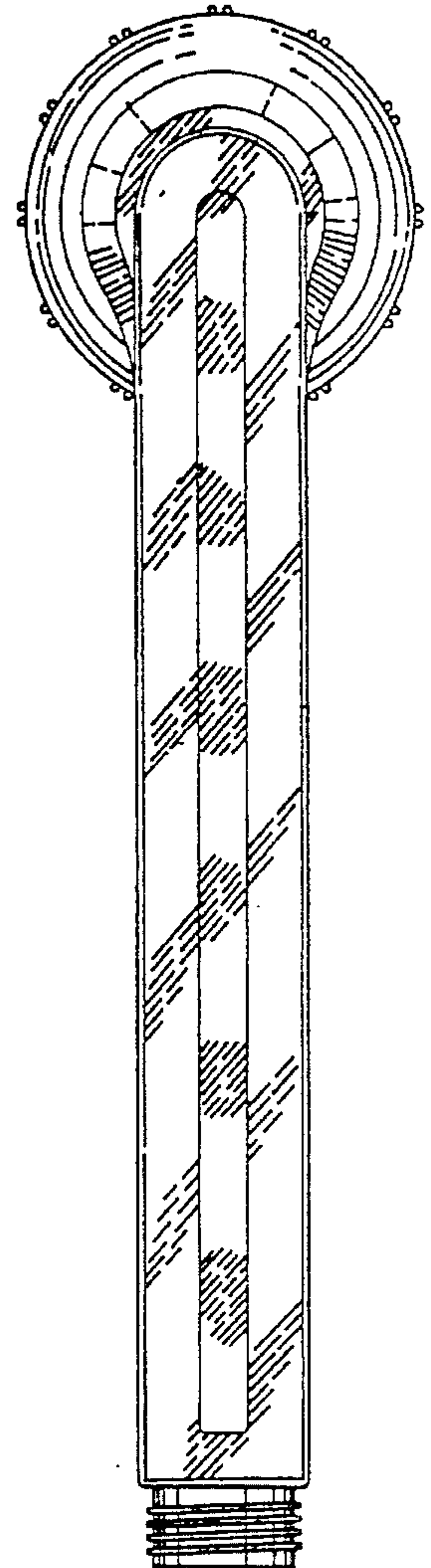


FIG. 13

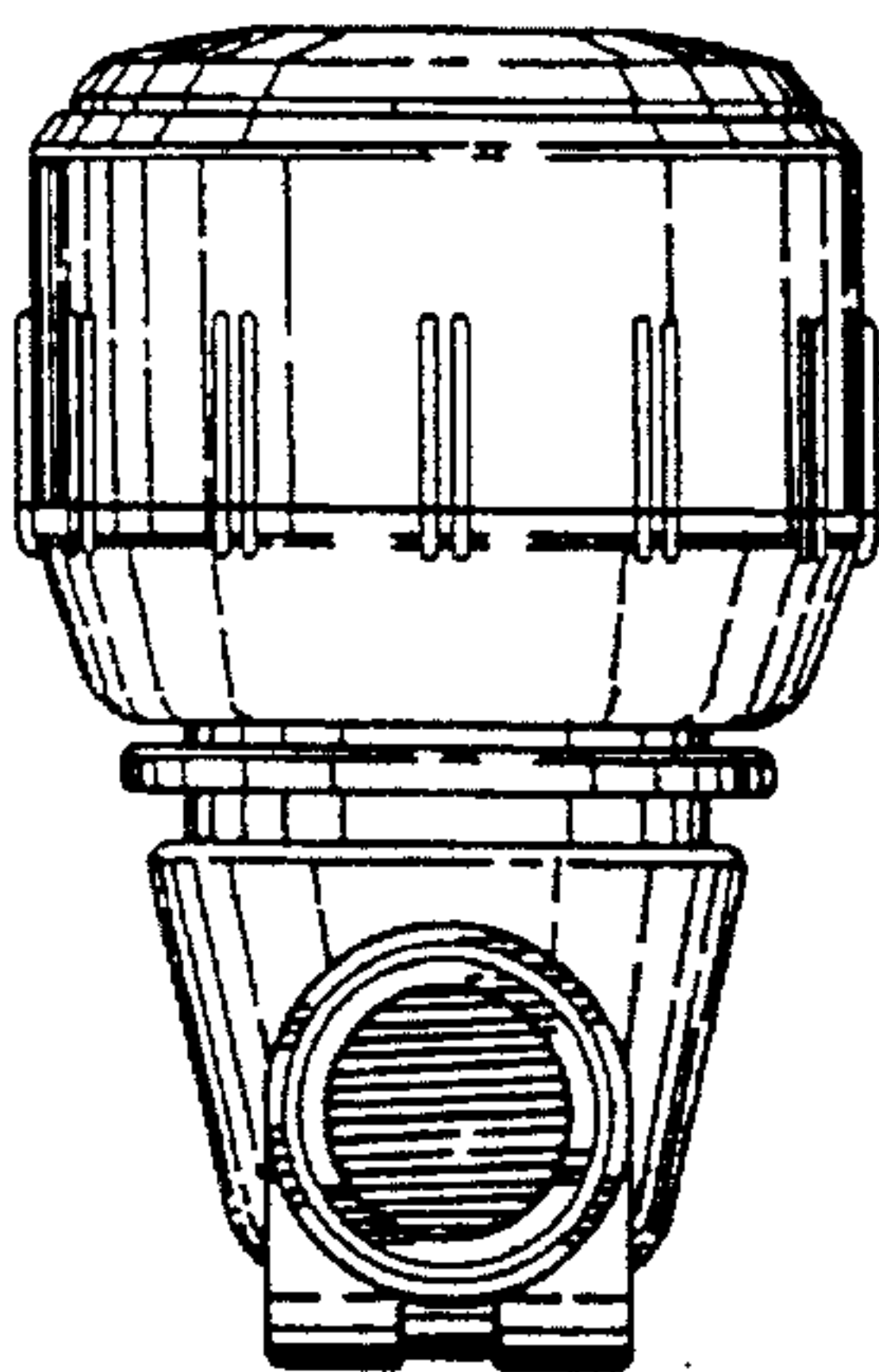


FIG. 15

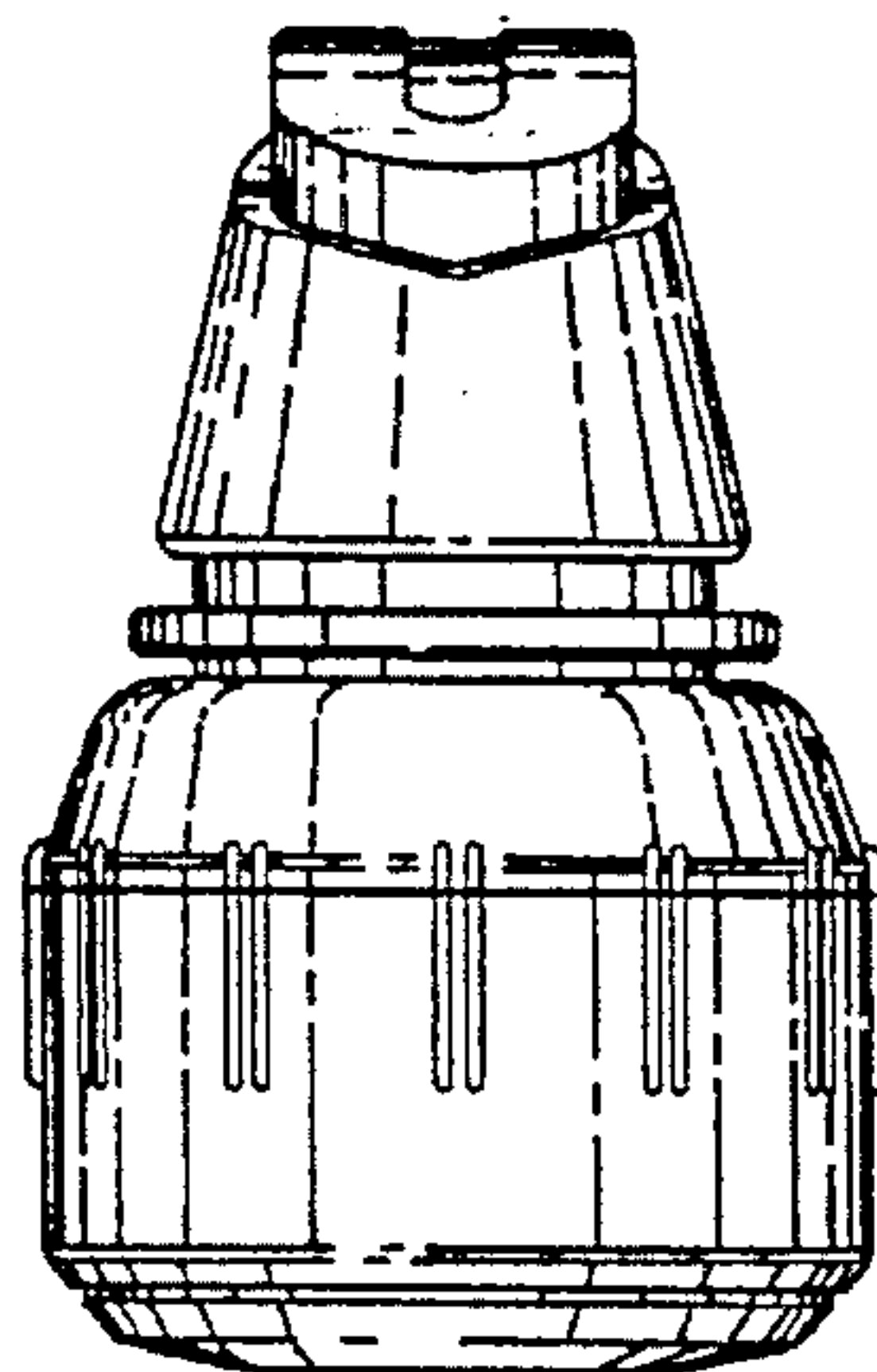


FIG. 14

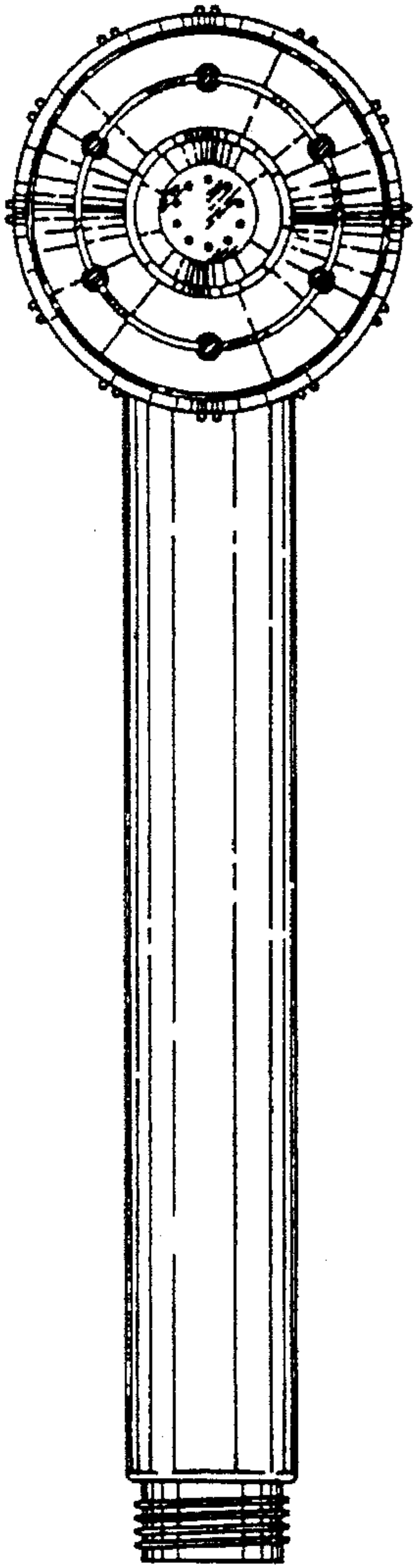


FIG. 16

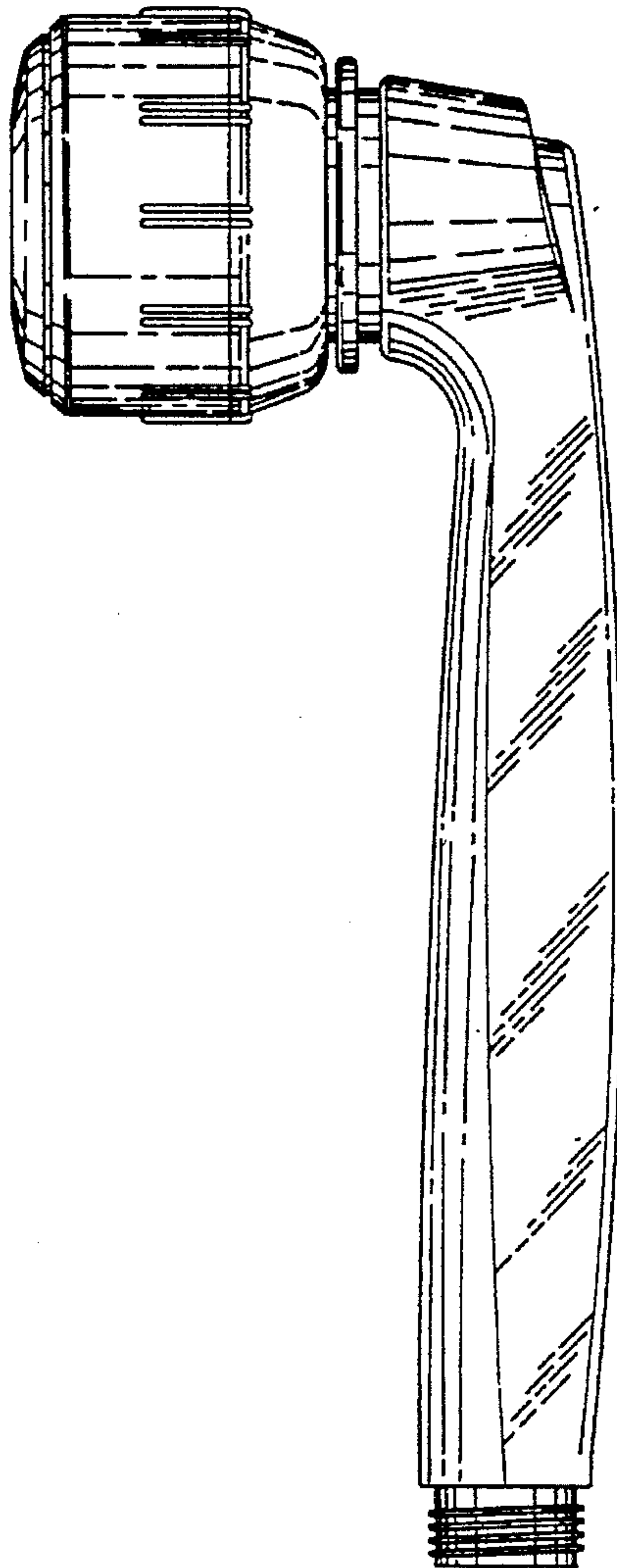


FIG. 17

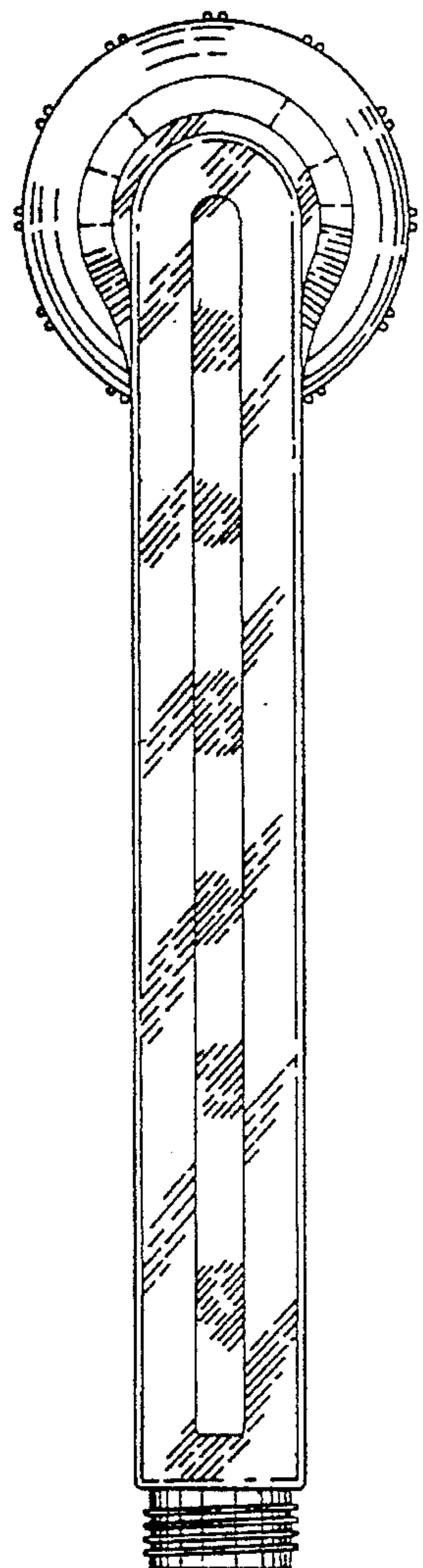


FIG. 18

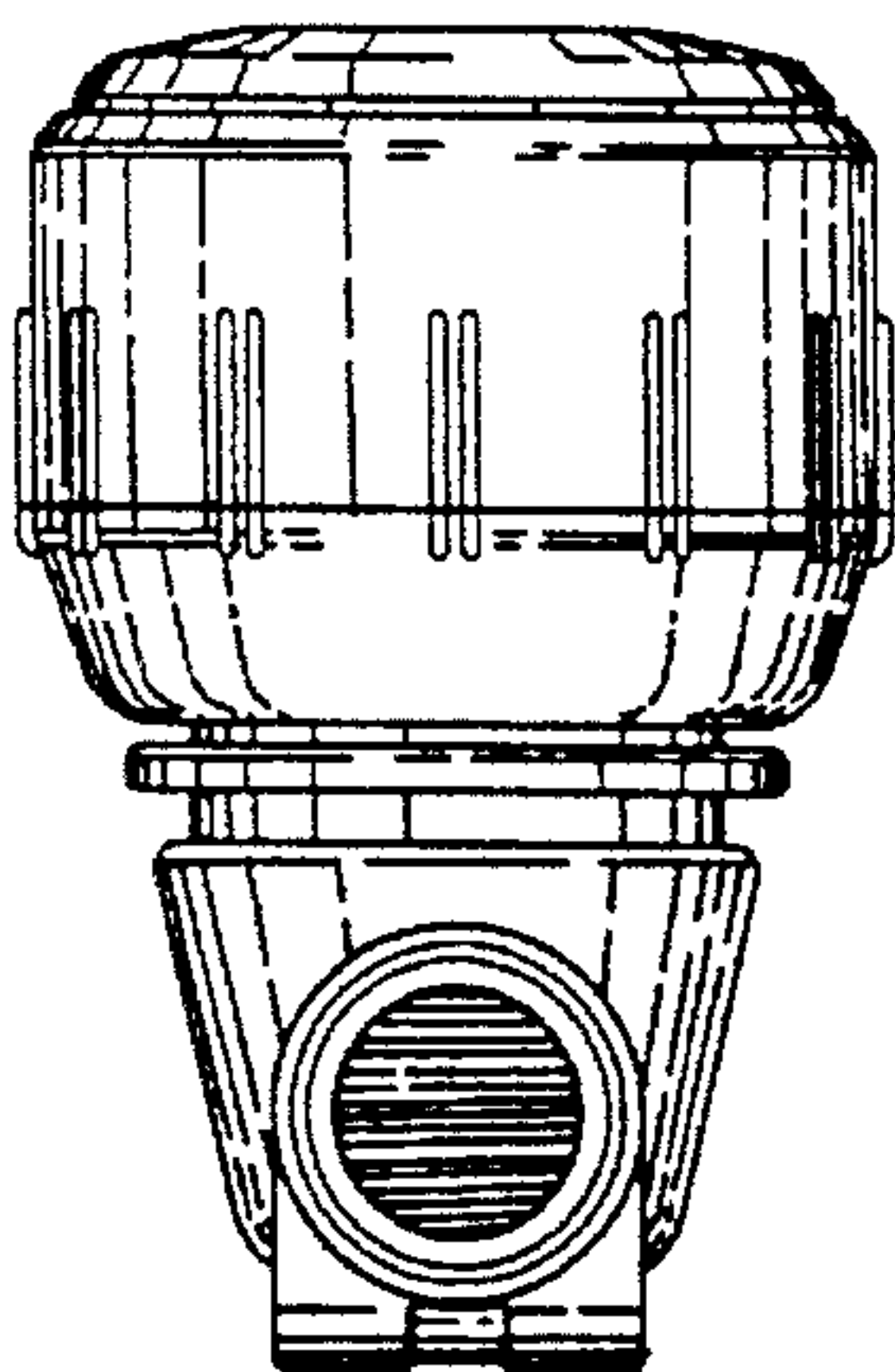


FIG. 20

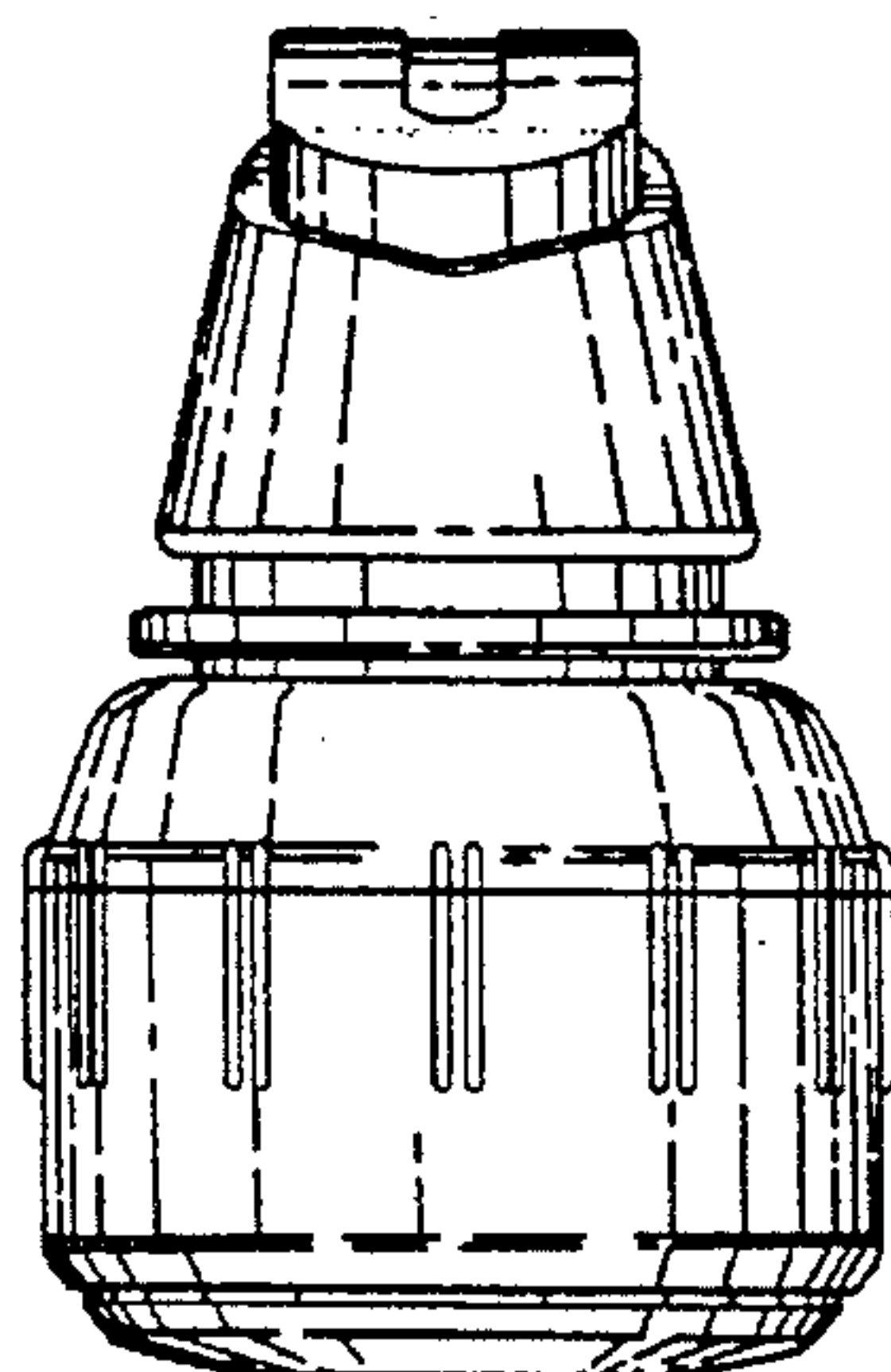


FIG. 19



UNITED STATES PATENT AND TRADEMARK OFFICE  
**CERTIFICATE OF CORRECTION**

PATENT NO. : Des. 363,972  
DATED : November 7, 1995  
INVENTOR(S) : Hing W. Huen

It is certified that error appears in the above-identified patent and that said Letters Patent is hereby corrected as shown below: On the title page: Item [57]

In the Description, line 1, insert a hyphen between "hand" and "held".

In the Description, line 12, insert a hyphen between "hand" and "held".

Signed and Sealed this  
Ninth Day of January, 1996

*Attest:*



BRUCE LEHMAN

*Attesting Officer*

*Commissioner of Patents and Trademarks*