



US00D363971S

**United States Patent** [19]

[11] **Patent Number: Des. 363,971**

**Peddicord et al.**

[45] **Date of Patent: \*\*Nov. 7, 1995**

[54] **SUPPORT FOR SALT FOR USE IN A WATER SOFTENER**

4,013,556	3/1977	Evans .....	210/291 X
4,235,340	11/1980	Clack et al. .	
4,260,487	4/1981	Gruett .	
4,623,367	11/1986	Paulson .	
4,718,447	1/1988	Marshall .	
4,753,726	6/1988	Suchanek .....	210/291 X
4,764,280	8/1988	Brown et al. .	
4,946,600	8/1990	Shin .	
5,310,488	5/1994	Hansen et al. .	

[76] Inventors: **Steven M. Peddicord**, 5310 Rustle Leaf, Arlington, Tex. 76017; **Donald B. Peddicord**, 200 Oak St., Lewisville, Tex. 75067

[\*\*] Term: **14 Years**

**FOREIGN PATENT DOCUMENTS**

[21] Appl. No.: **850,080**

64147 9/1892 Germany .

[22] Filed: **Mar. 12, 1992**

[52] U.S. Cl. .... **D23/207**

*Primary Examiner*—Melanie H. Tung

*Attorney, Agent, or Firm*—Richards, Medlock & Andrews

[58] **Field of Search** ..... D23/200, 207-209; 210/190, 193, 291, 473, 498, 96.1, 662; D21/108; 206/515; 220/66, 93

[57] **CLAIM**

The ornamental design for a support for salt for use in a water softener, as shown and described.

[56] **References Cited**

**DESCRIPTION**

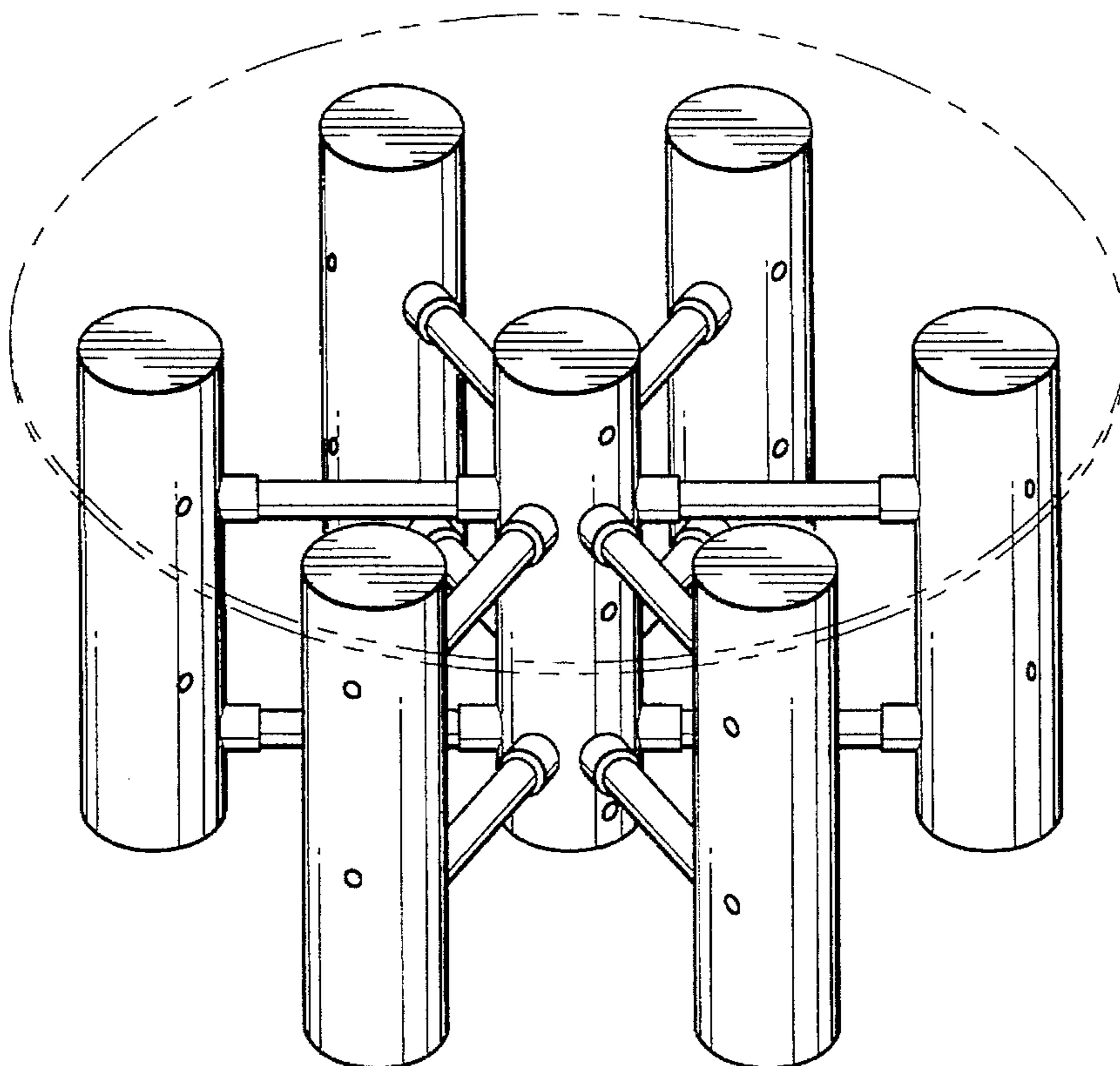
**U.S. PATENT DOCUMENTS**

D. 264,694	6/1982	Takahashi .....	D21/108 X
D. 278,110	3/1985	Boland, II .....	D21/108 X
D. 316,282	4/1991	Winston .....	D21/108
1,385,903	7/1921	Cochran .	
2,657,964	11/1953	Watrous .	
2,669,117	2/1954	Fuhrmann .	
2,829,934	4/1958	Schulze .	
3,374,891	3/1968	Buchmann .	
3,432,038	3/1969	Heskett .	
3,460,566	8/1969	Heartstedt et al. .	
3,502,442	3/1970	Campbell et al. .	
3,684,457	8/1972	Pinto et al. ....	210/190 X
3,732,165	5/1973	Campbell .....	210/190

FIG. 1 is a perspective view illustrating our new design; FIG. 2 is a bottom view thereof; FIG. 3 is a top plan view thereof; FIG. 4 is a side elevational view thereof, the opposite side is identical; and, FIG. 5 is a front elevational view thereof, the rear elevational view is identical.

The broken line drawing of a platform in FIG. 1 is for illustrative purposes only and forms no part of the claimed design.

**1 Claim, 1 Drawing Sheet**



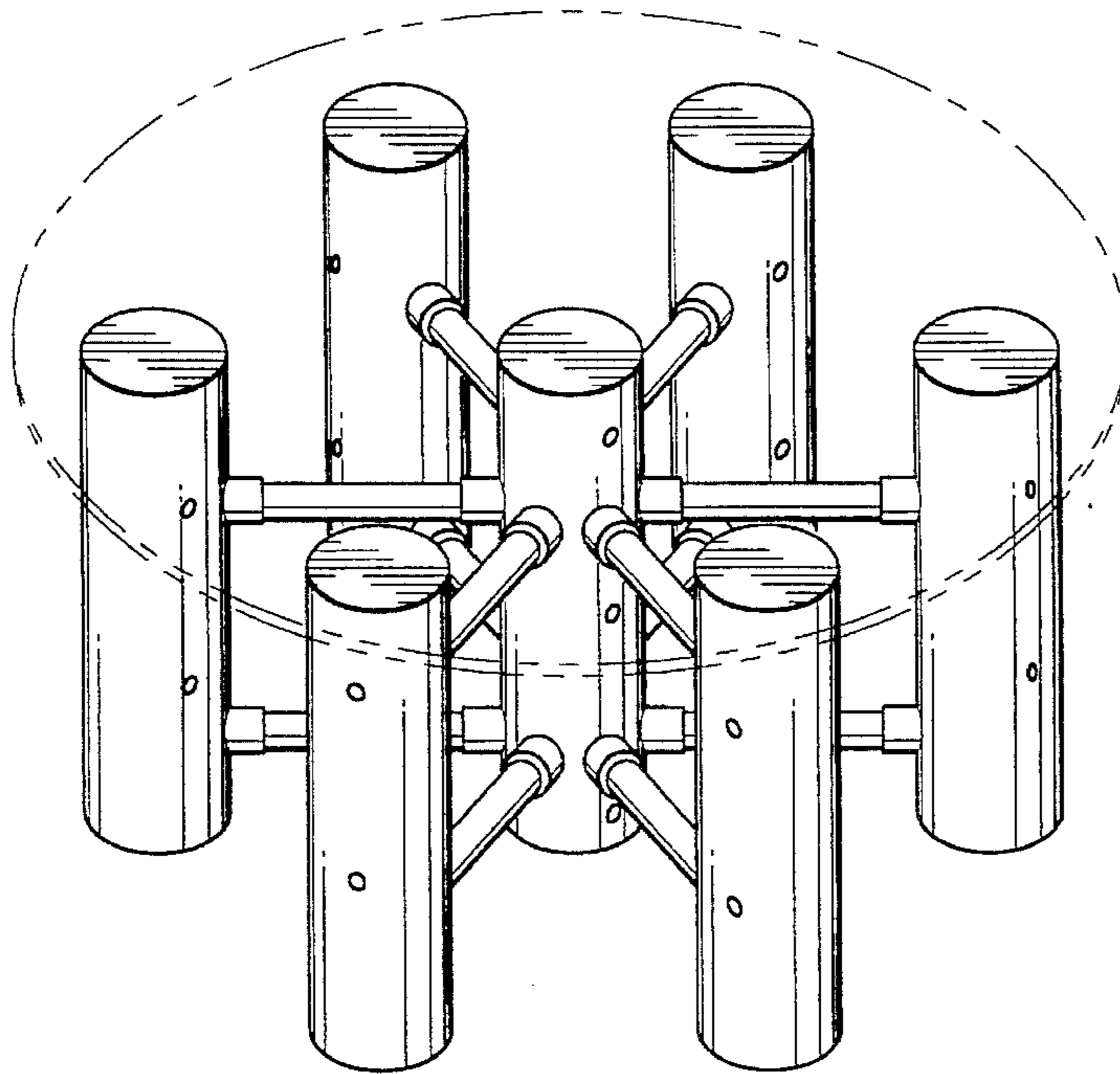


FIG. 1

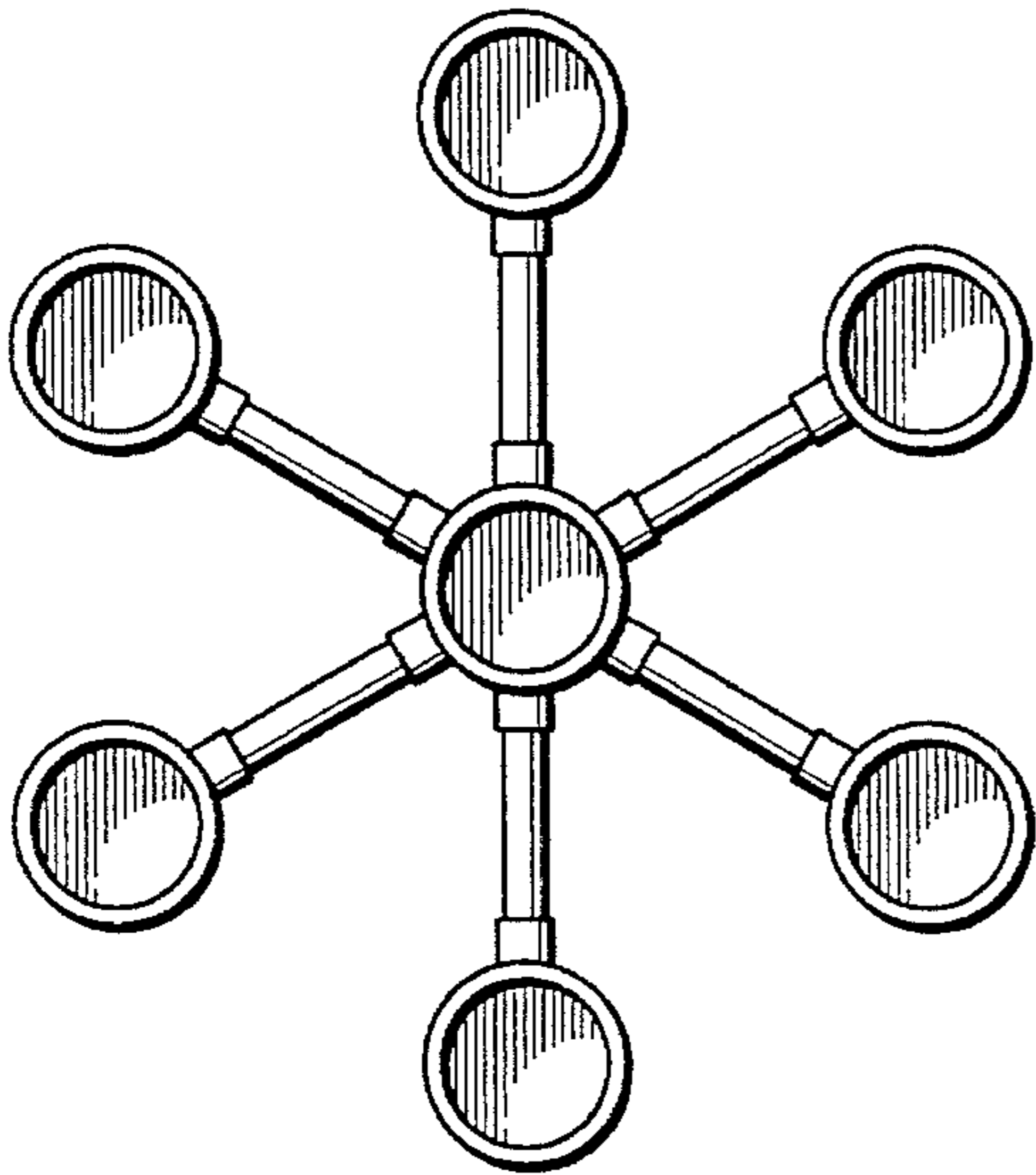


FIG. 2

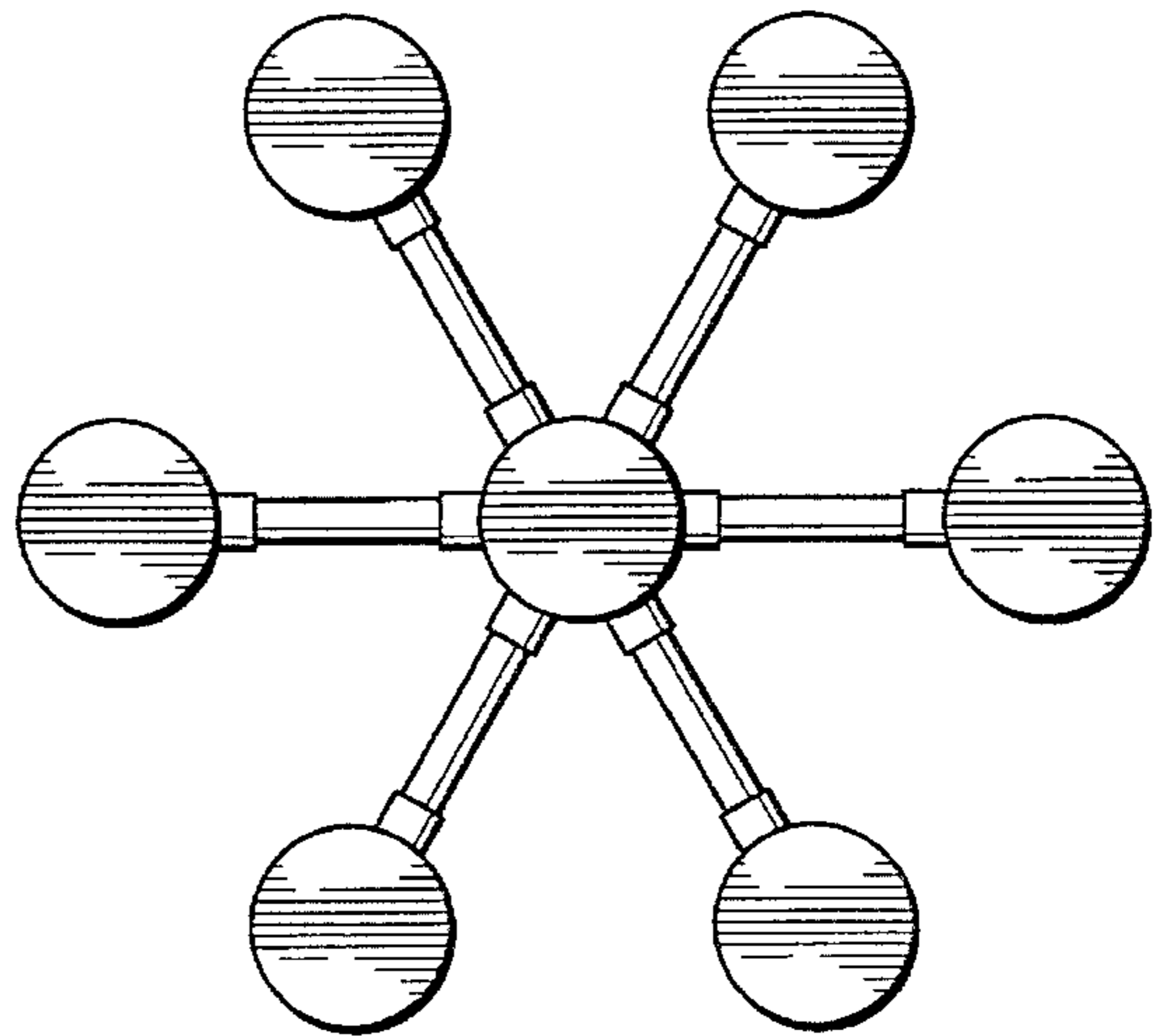


FIG. 3

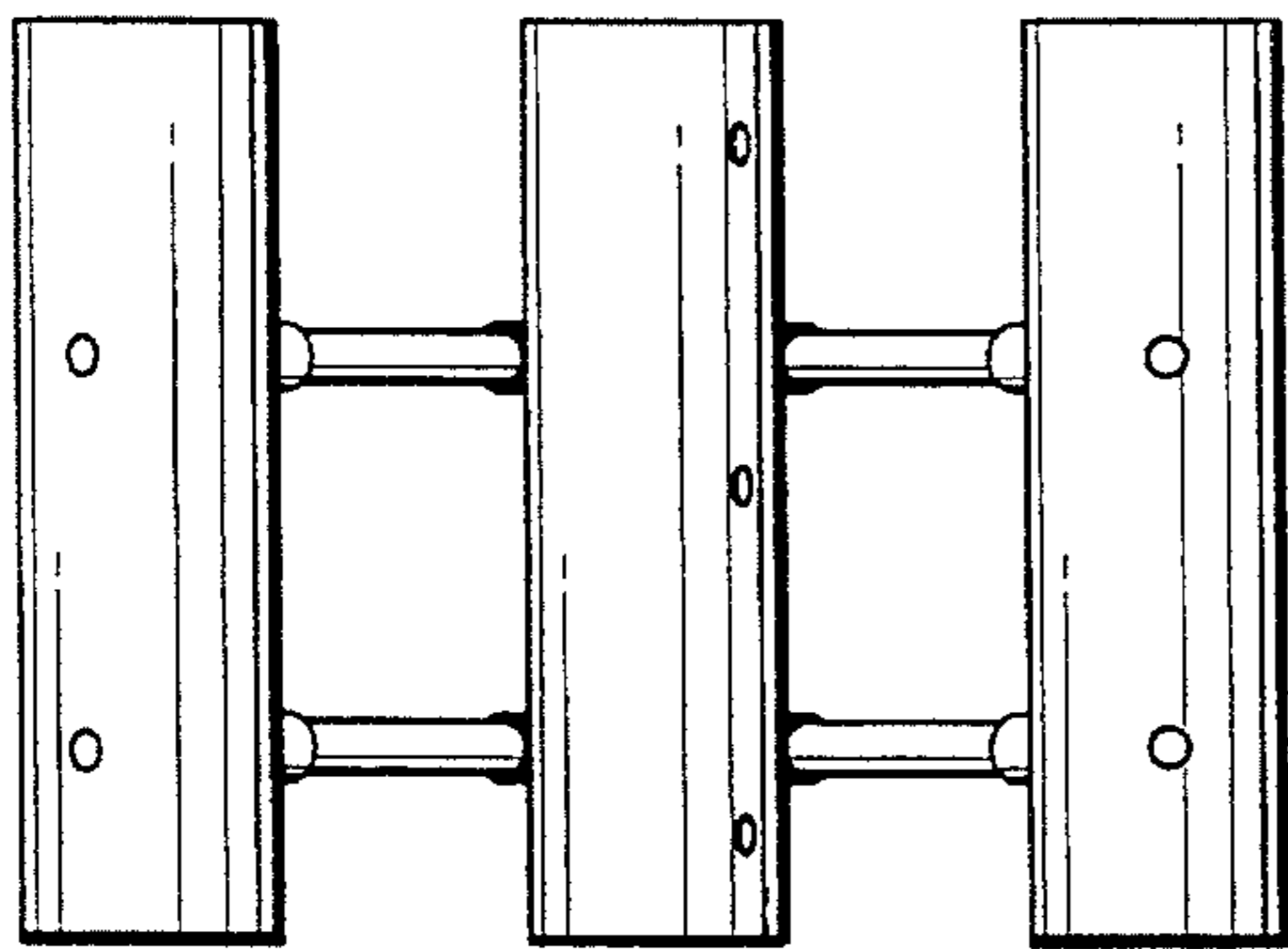


FIG. 4

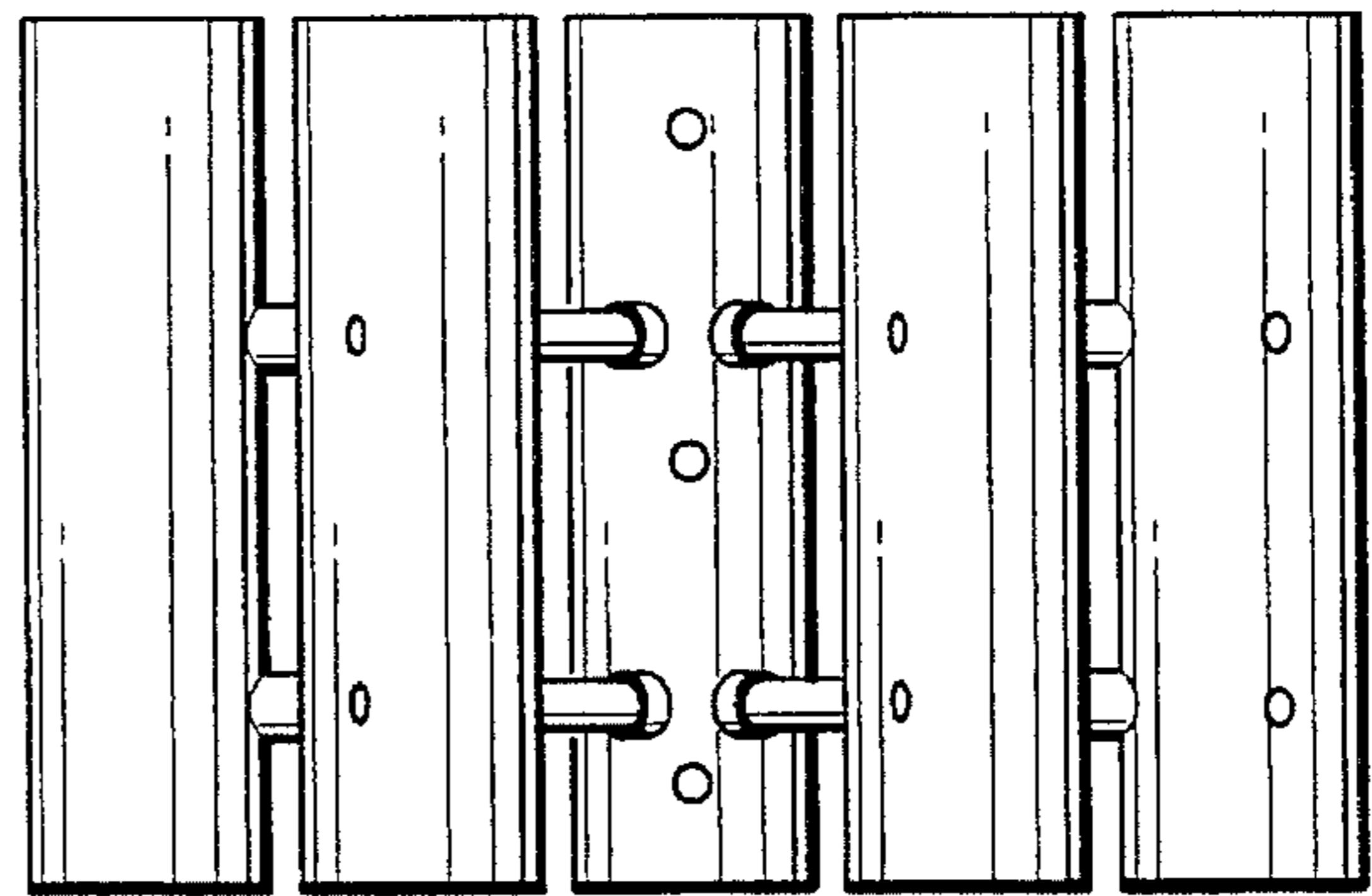


FIG. 5