



US00D363964S

**United States Patent** [19]  
**Chen**

[11] **Patent Number: Des. 363,964**

[45] **Date of Patent: \*\*Nov. 7, 1995**

[54] **WHEEL FRAME OF ROLLER SKATE**

D. 355,690 2/1995 Melbock et al. .... D21/226  
D. 357,047 4/1995 Gay ..... D21/226

[75] Inventor: **Ting-hsing Chen**, Tainan, Taiwan

[73] Assignee: **Far Great Plastics Industrial Co., Ltd.**, Tainan, Taiwan

*Primary Examiner*—Ted Shooman  
*Assistant Examiner*—R. Barkai  
*Attorney, Agent, or Firm*—Morton J. Rosenberg; David I. Klein

[\*\*] Term: **14 Years**

[57] **CLAIM**

[21] Appl. No.: **34,248**

The ornamental design for a wheel frame of roller skate, as shown and described.

[22] Filed: **Jan. 31, 1995**

[52] U.S. Cl. .... **D21/226**

**DESCRIPTION**

[58] **Field of Search** ..... D21/225, 226;  
280/11.2, 11.12, 11.19, 11.22, 11.26, 11.27,  
809, 825, 841

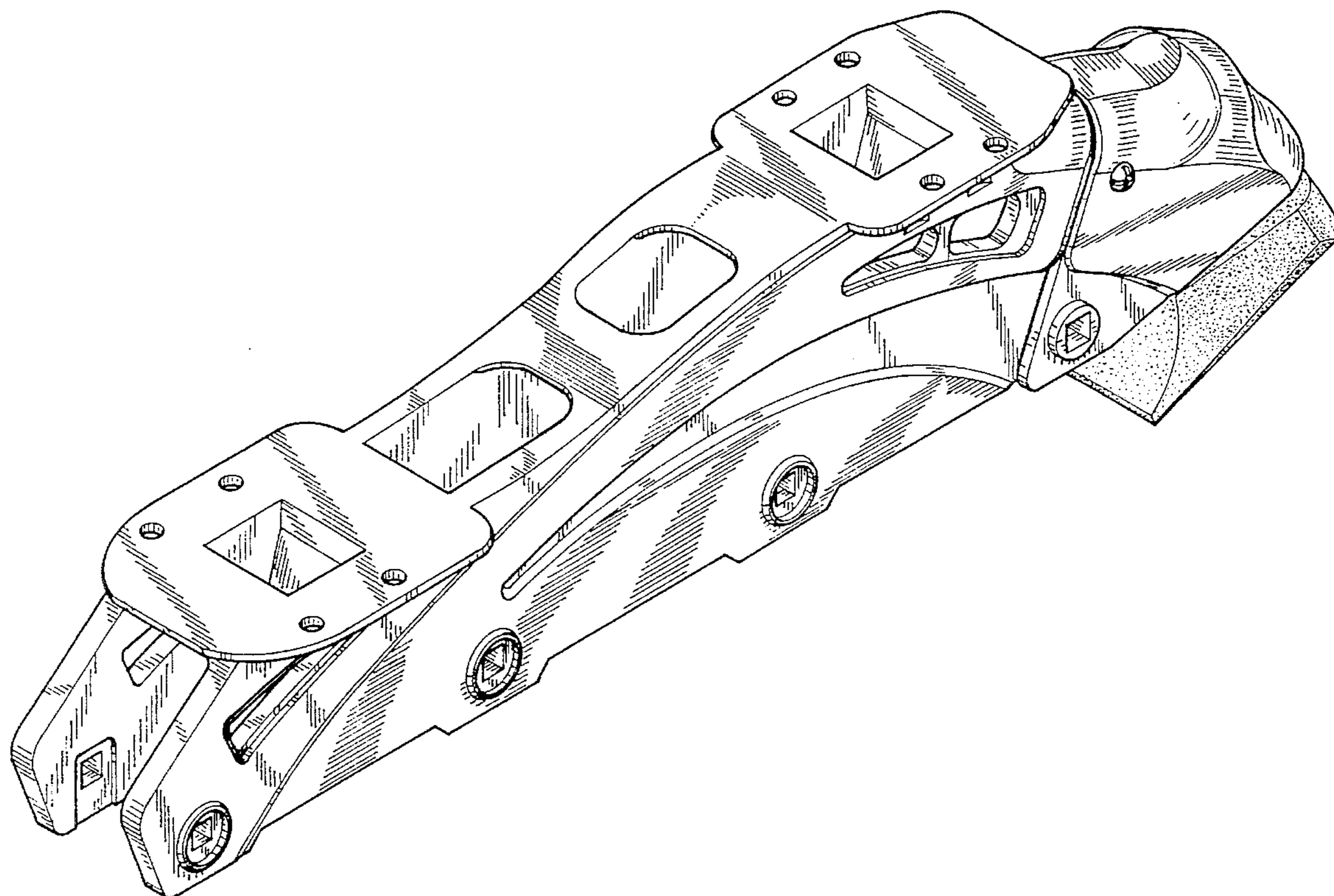
FIG. 1 is a perspective view of a wheel frame of roller skate showing my present design;  
FIG. 2 is a front view thereof;  
FIG. 3 is a rear view thereof;  
FIG. 4 is a left view thereof;  
FIG. 5 is a right view thereof;  
FIG. 6 is a top plan view thereof; and,  
FIG. 7 is a bottom plan view.

[56] **References Cited**

**U.S. PATENT DOCUMENTS**

D. 301,908 6/1989 Olsen et al. .... D21/226  
D. 343,669 1/1994 Pratt ..... D21/226  
D. 353,863 12/1994 Chen ..... D21/226  
D. 354,105 1/1995 Melbock et al. .... D21/226

**1 Claim, 4 Drawing Sheets**



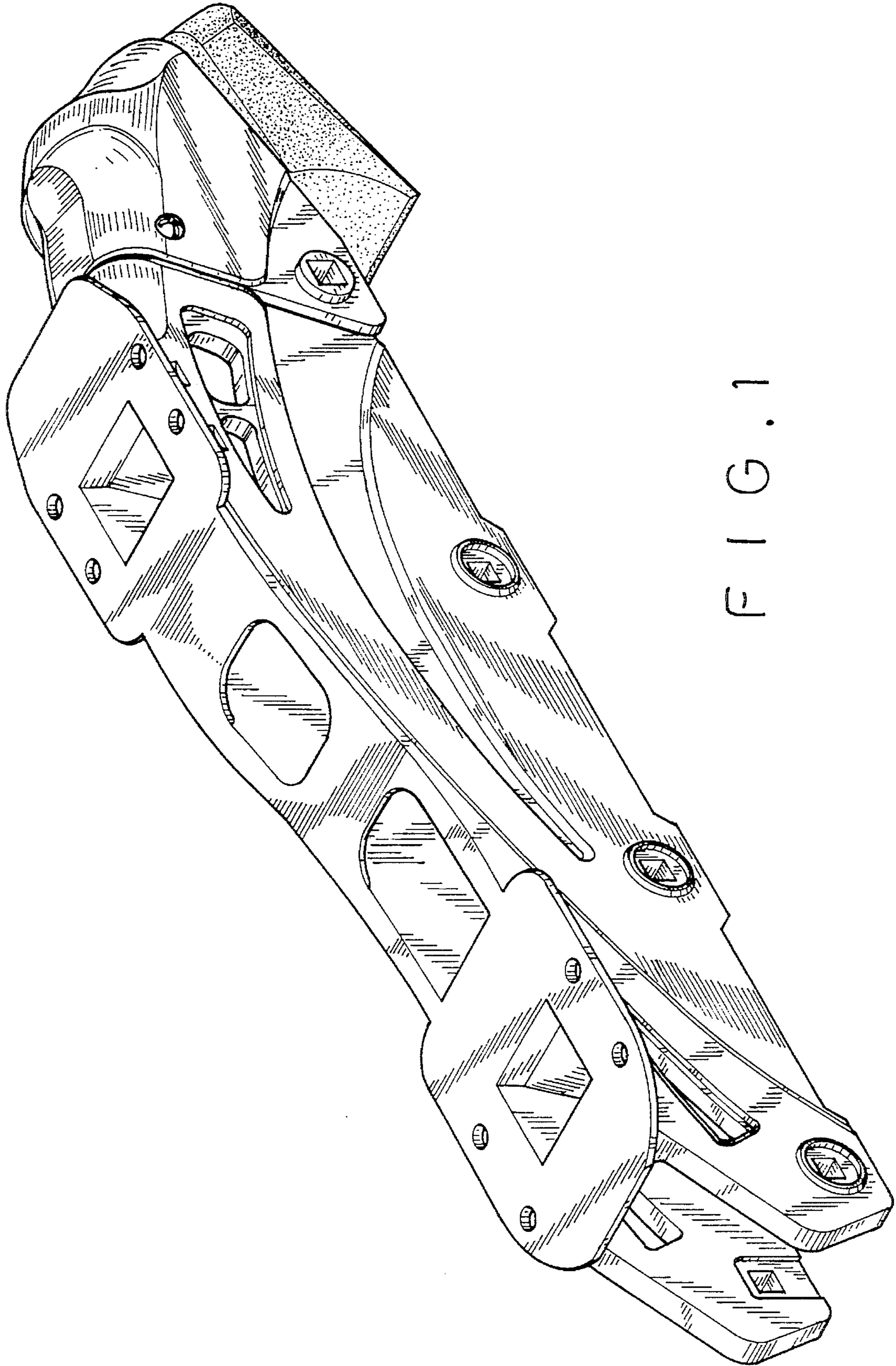


FIG. 1

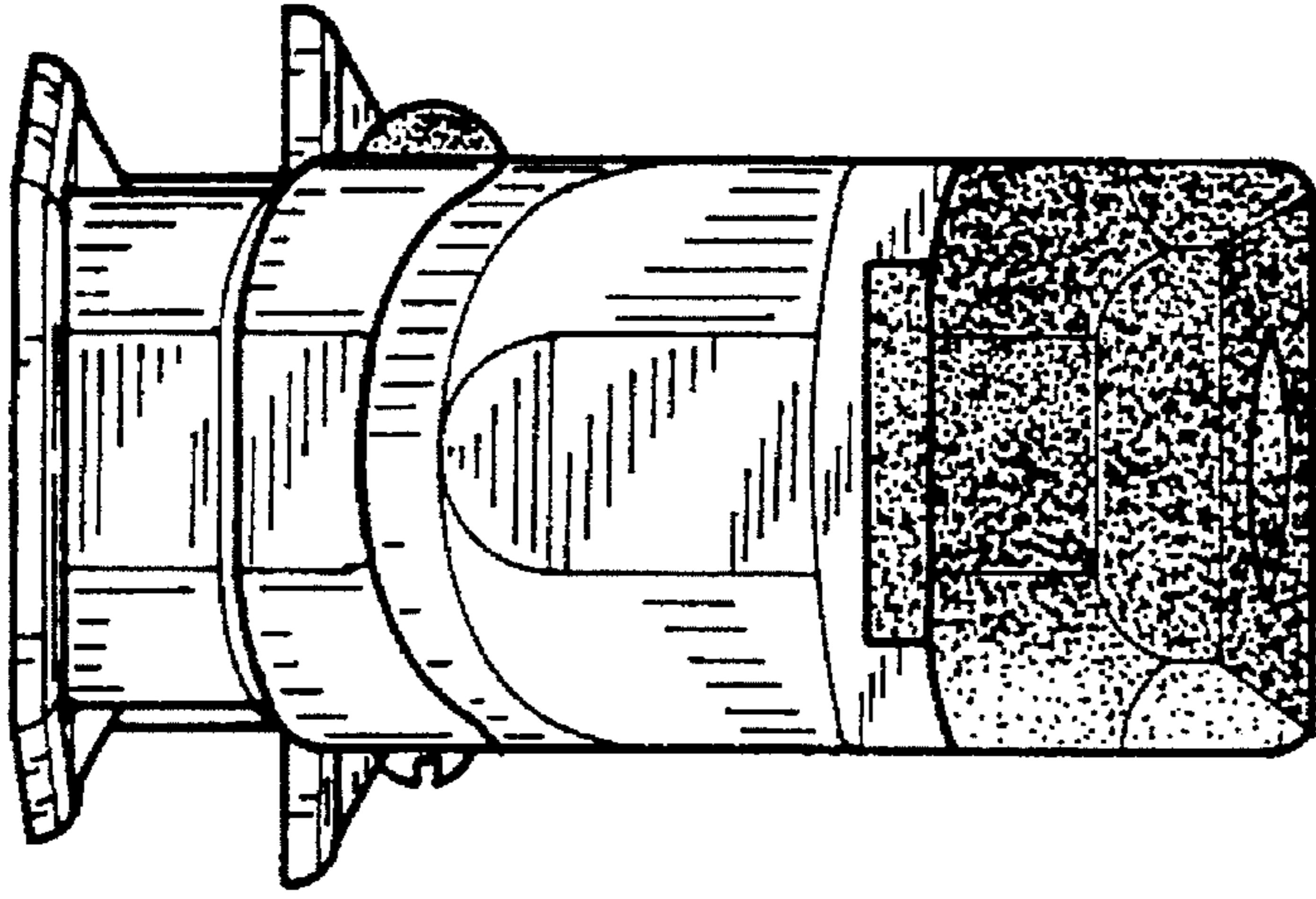


FIG. 3

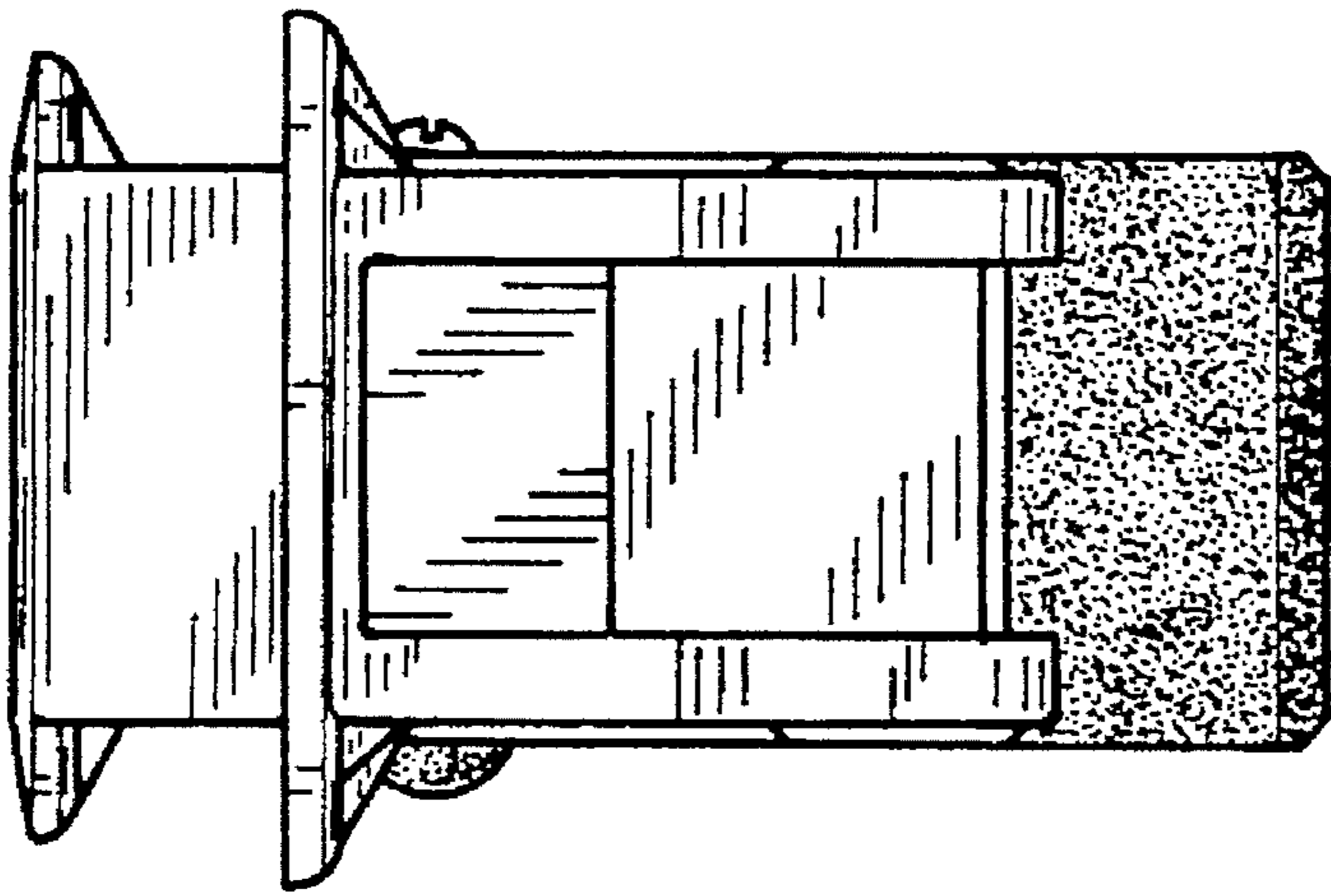


FIG. 2

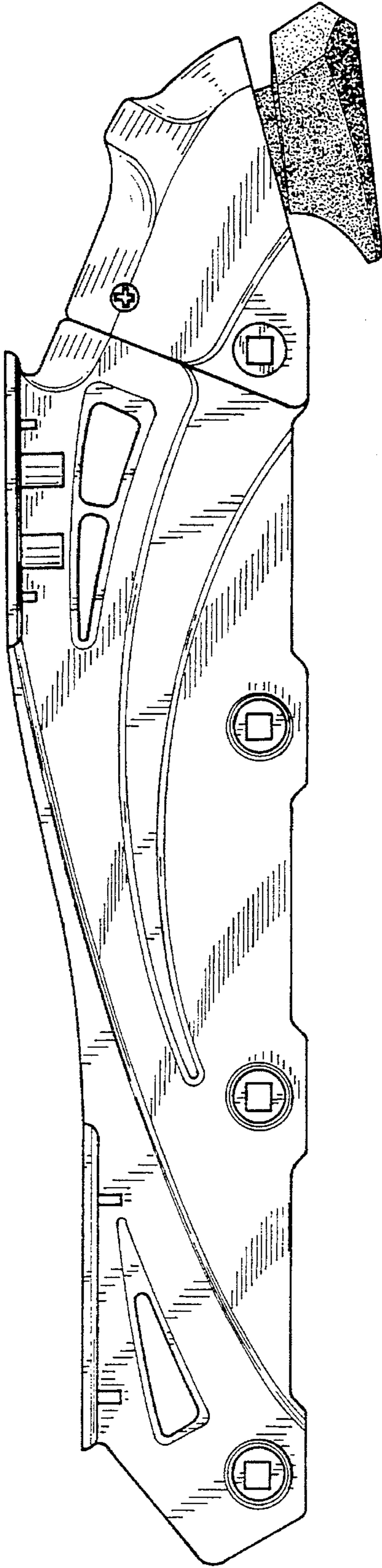


FIG. 5

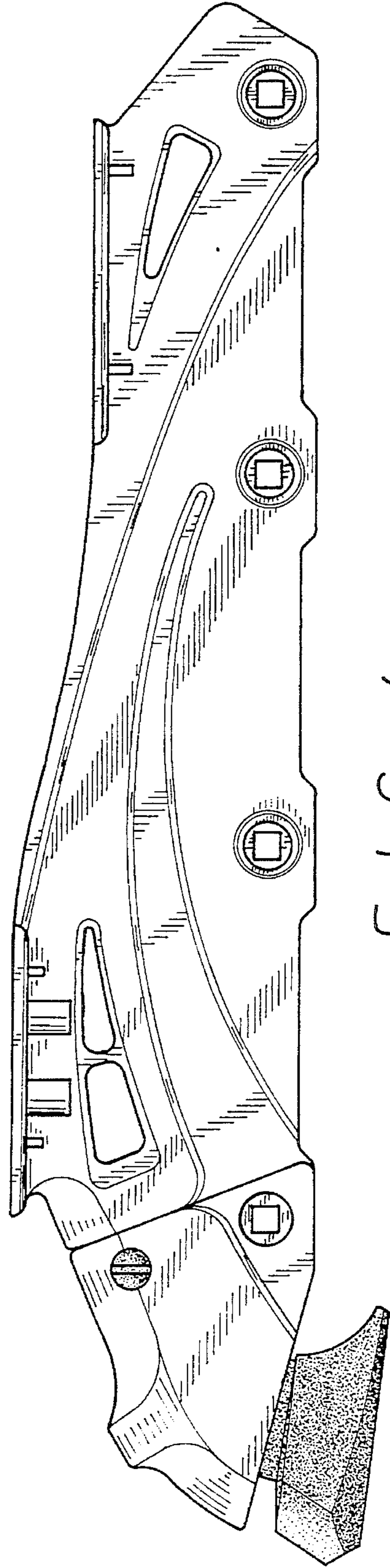


FIG. 4

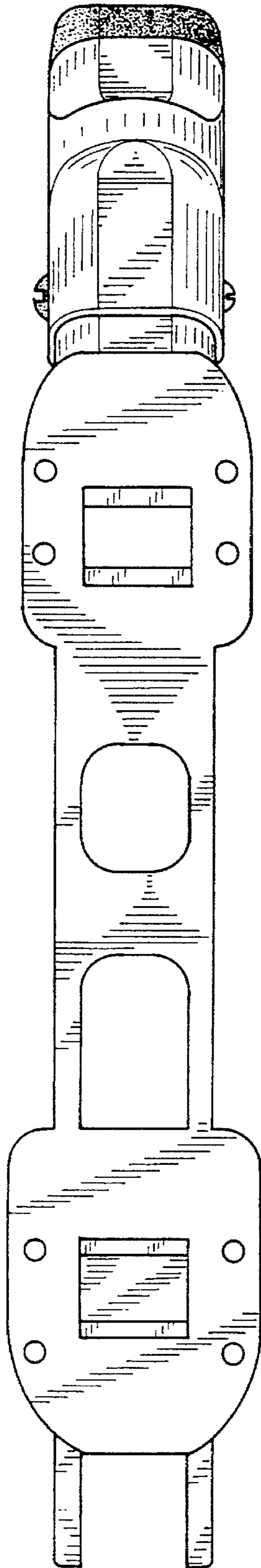


FIG. 6

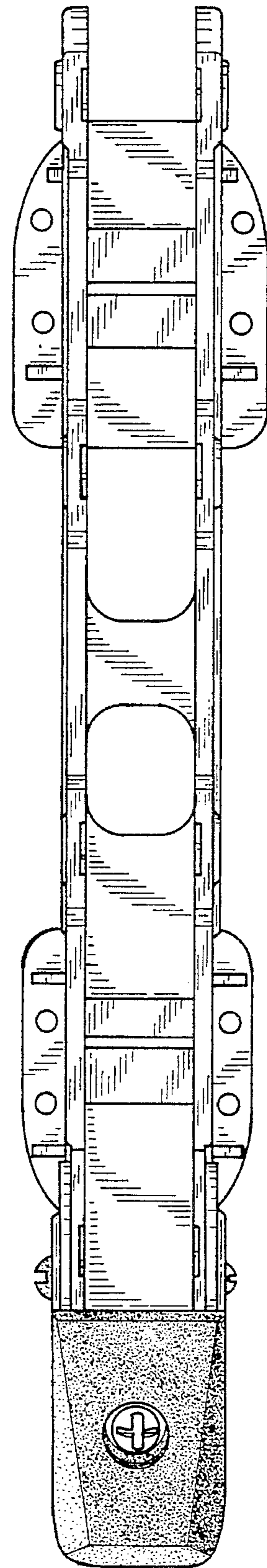


FIG. 7