



US00D363961S

United States Patent [19]

[11] Patent Number: **Des. 363,961**

Krzynowek et al.

[45] Date of Patent: ****Nov. 7, 1995**

[54] **GOLF CLUB**

middle right of page.

[75] Inventors: **John Krzynowek**, Wilbraham; **Thomas M. Greene**, Monson, both of Mass.

Primary Examiner—Ted Shooman
Assistant Examiner—Mitchell I. Siegel

[73] Assignee: **Lisco, Inc.**, Tampa, Fla.

[57] **CLAIM**

[**] Term: **14 Years**

The ornamental design for the golf club, as shown and described.

[21] Appl. No.: **27,249**

DESCRIPTION

[22] Filed: **Aug. 16, 1994**

[52] U.S. Cl. **D21/214**

[58] Field of Search D21/214; 273/167-175

FIG. 1 is a perspective view of a golf club showing our new design, the broken away section of the shaft is due to an indeterminate length;

[56] References Cited

U.S. PATENT DOCUMENTS

D. 146,431	3/1947	Liolich	D21/214
4,065,133	12/1977	Gordos	273/167 E
4,214,754	7/1980	Zebelean	273/167 H

FIG. 2 is a front elevational view, shown without the shaft for ease of illustration;

FIG. 3 is a top plan view of FIG. 2;

FIG. 4 is a rear elevational view of FIG. 2;

FIG. 5 is a bottom plan view of FIG. 2;

FIG. 6 is a left end view of FIG. 2; and,

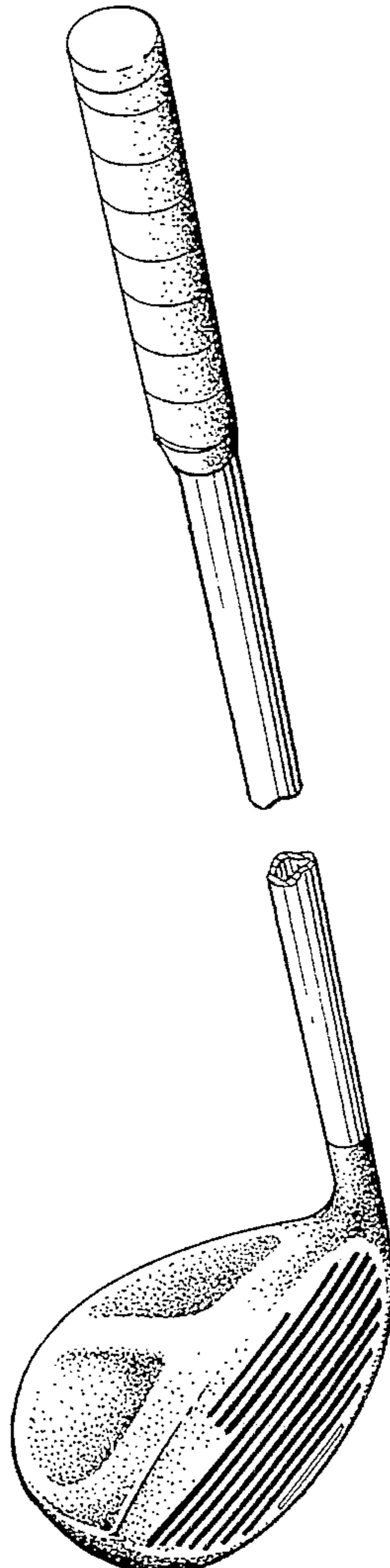
FIG. 7 is a right end view of FIG. 2.

OTHER PUBLICATIONS

Golf Smith; Oct. 1993; p. 3; "Designated Driver", top of page.

Florida Golf Warehouse; 1993; p. 4; "Sterling Trophy",

1 Claim, 2 Drawing Sheets



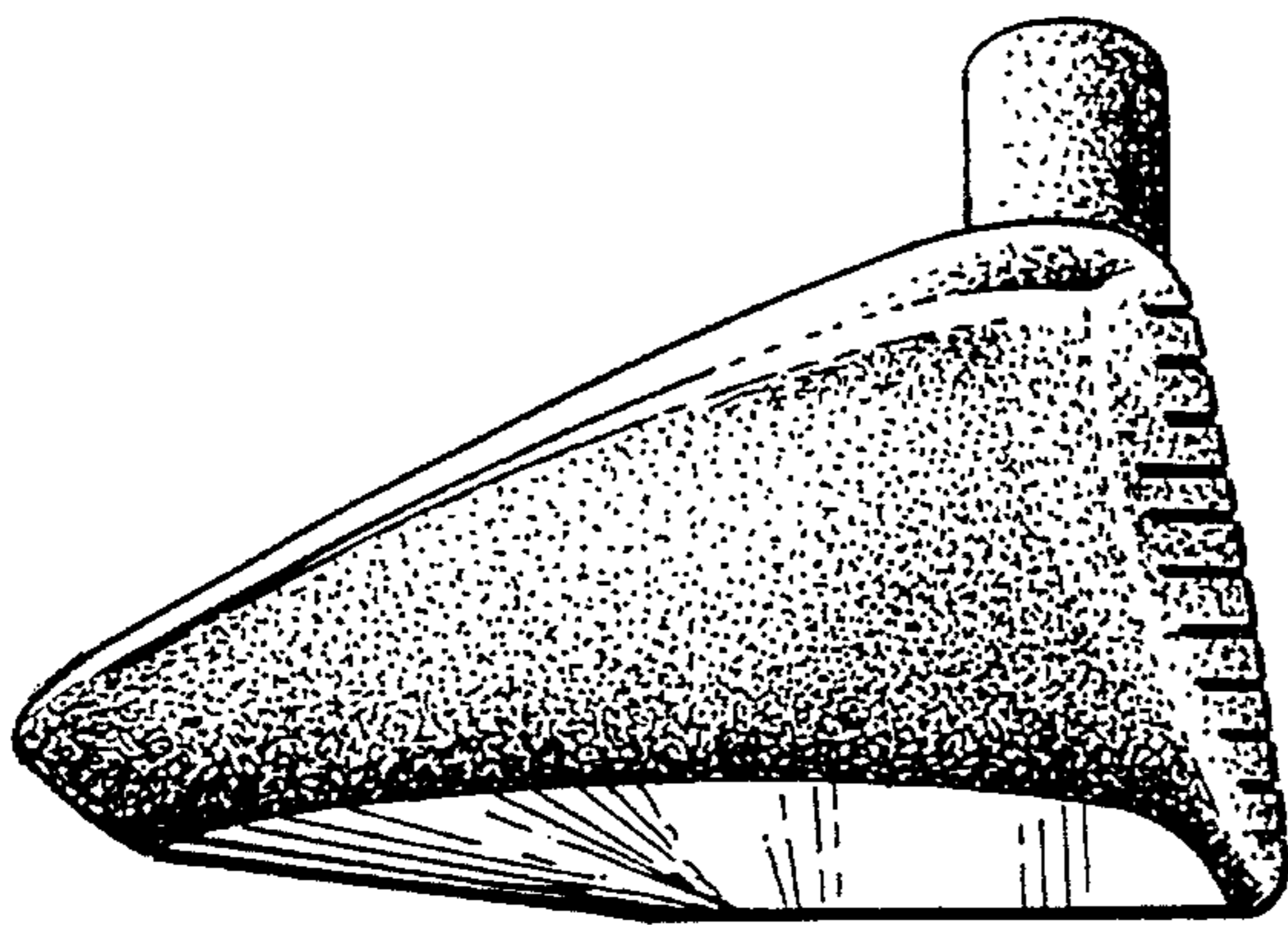


FIG. 6

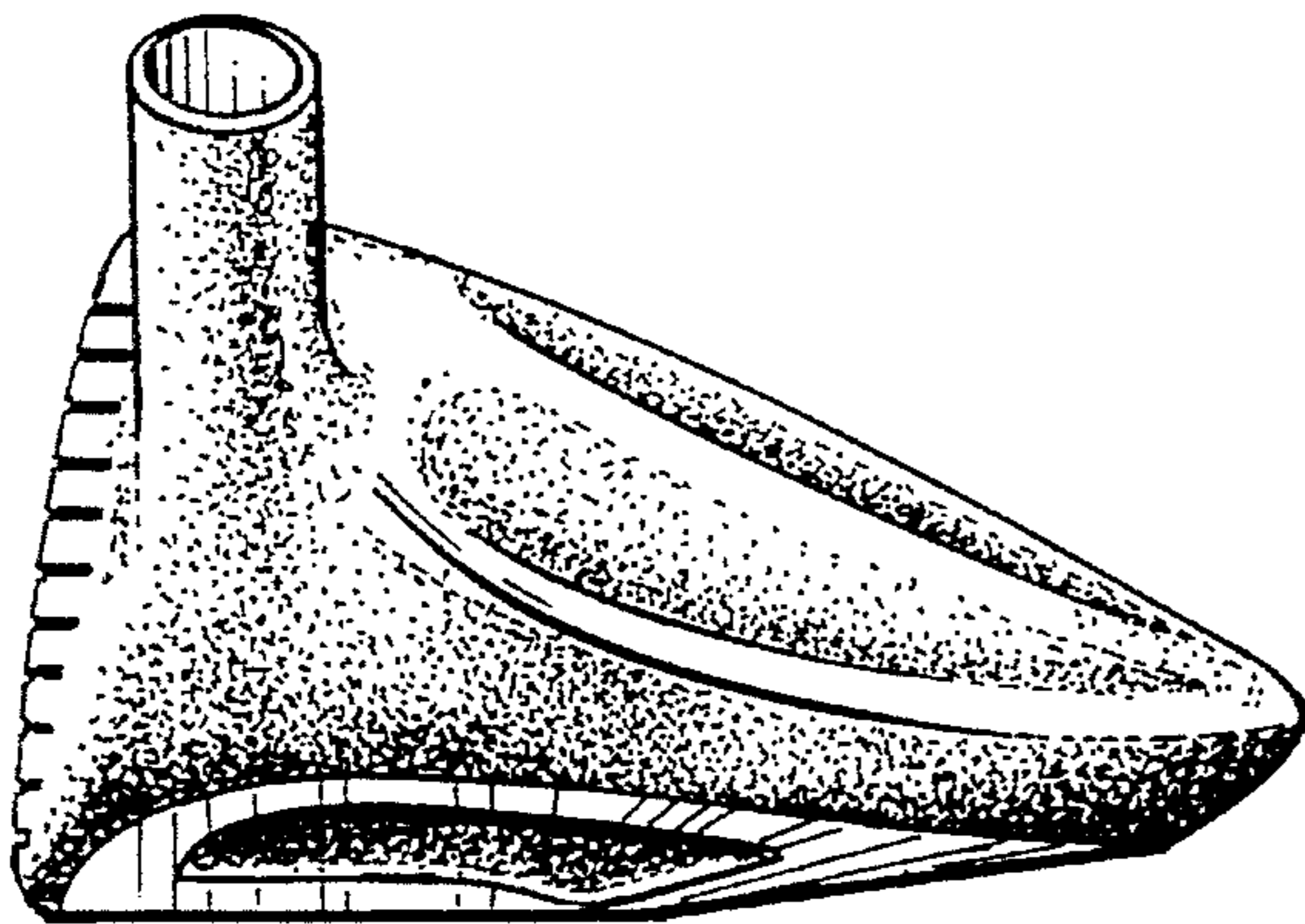


FIG. 7

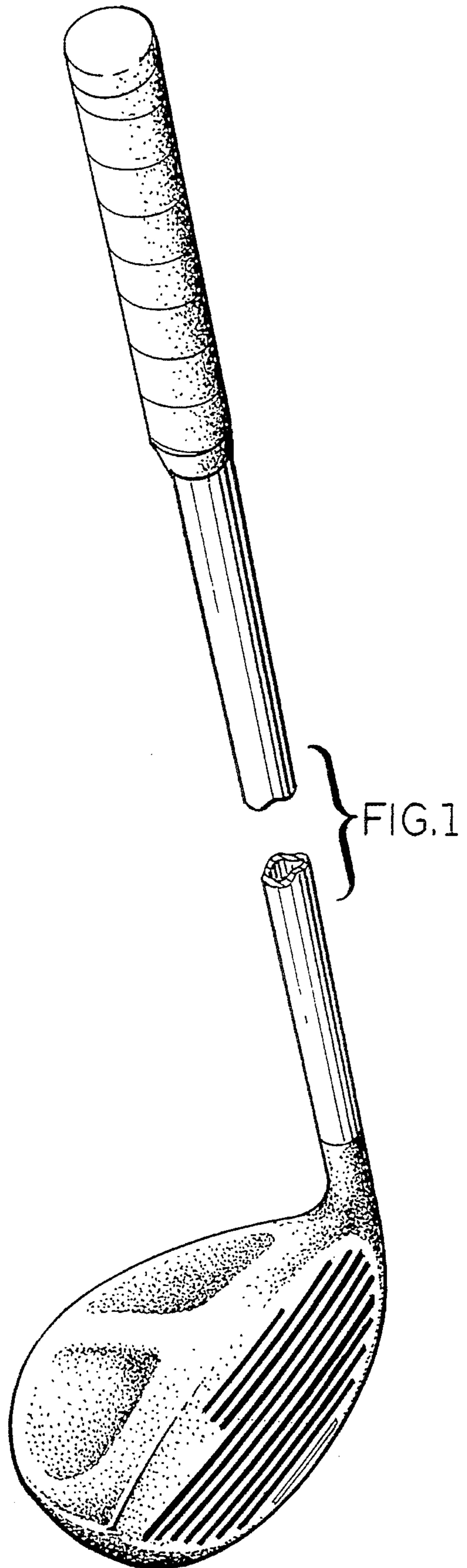


FIG. 1

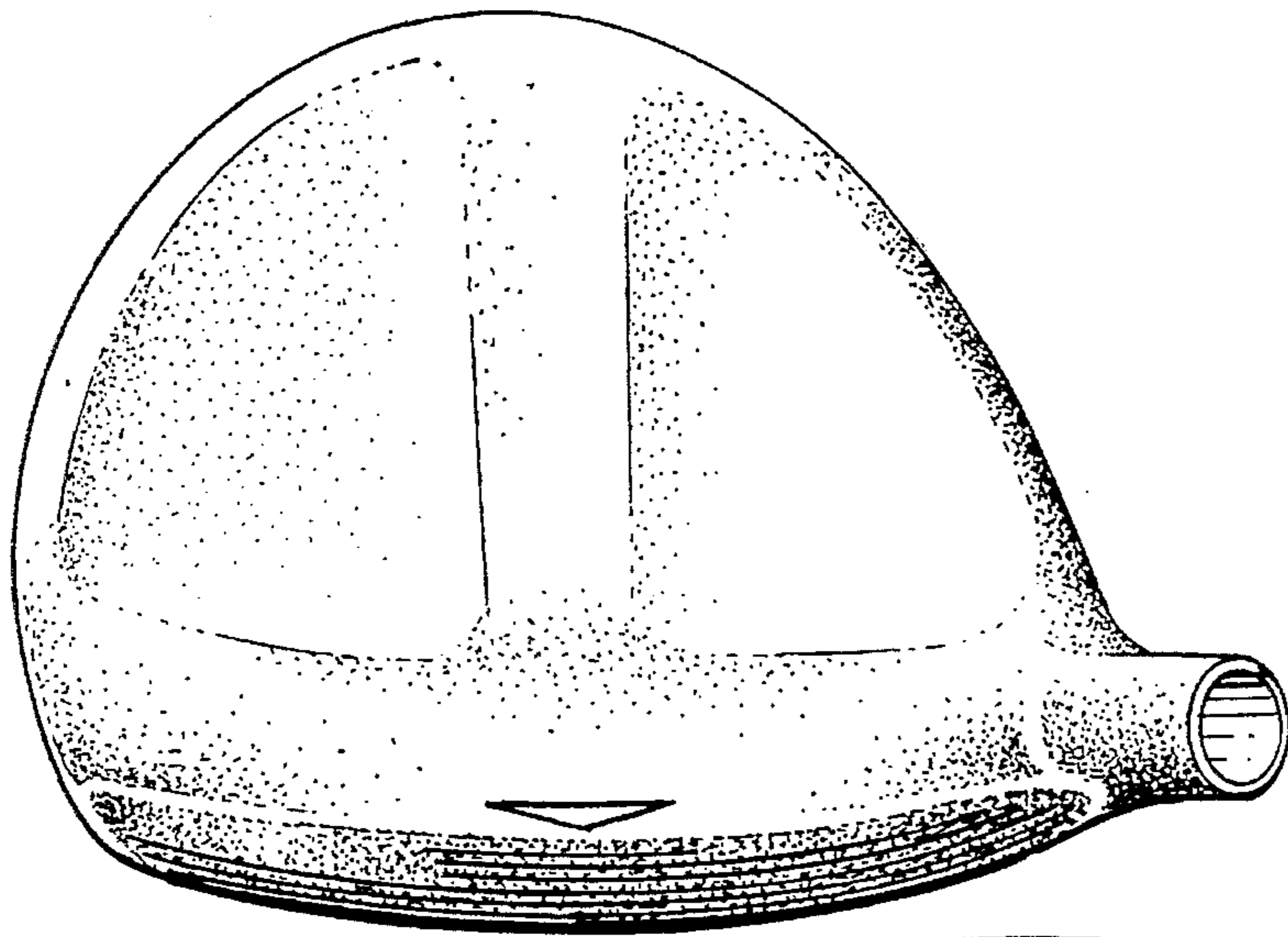


FIG. 3

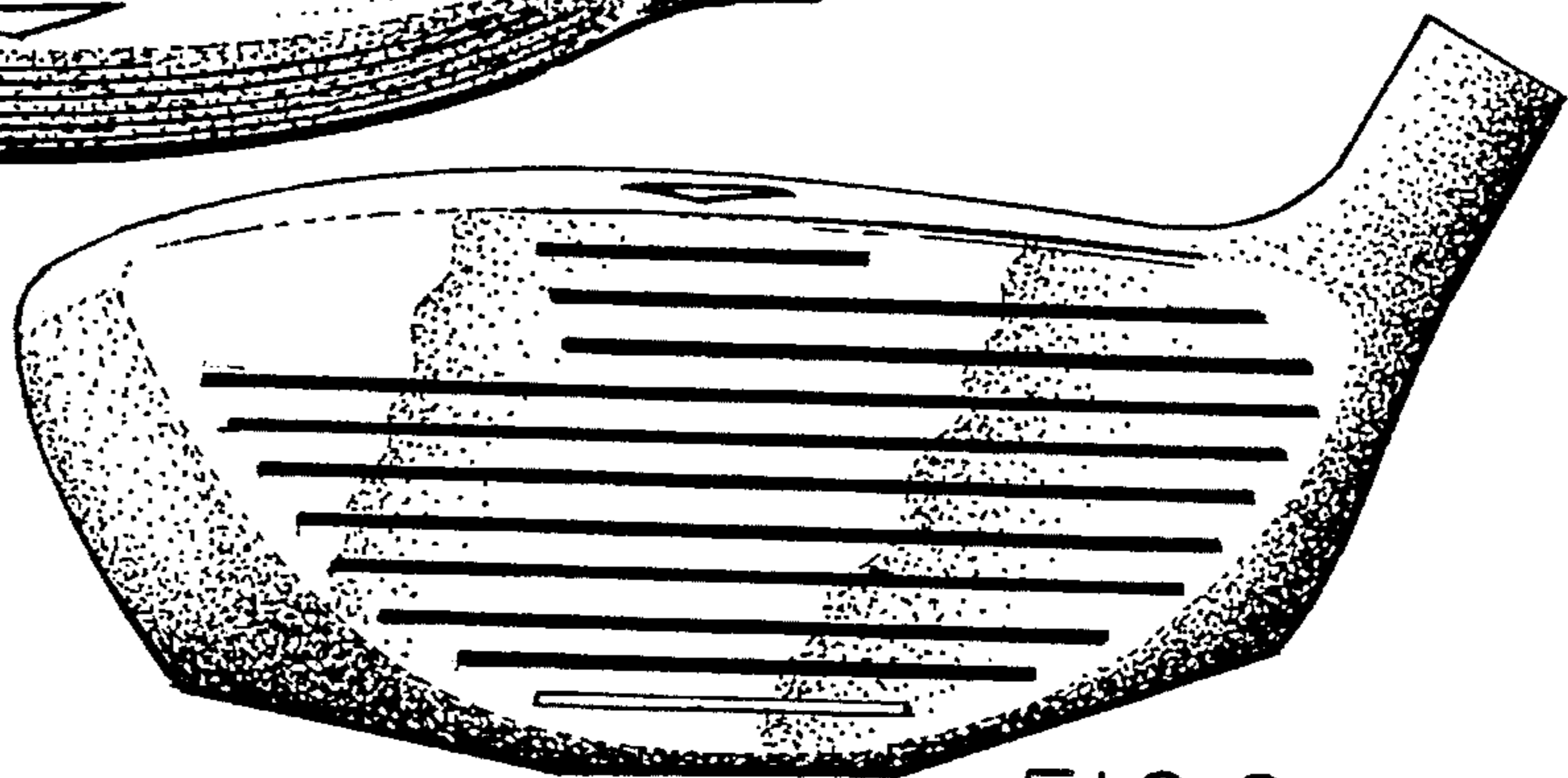


FIG. 2

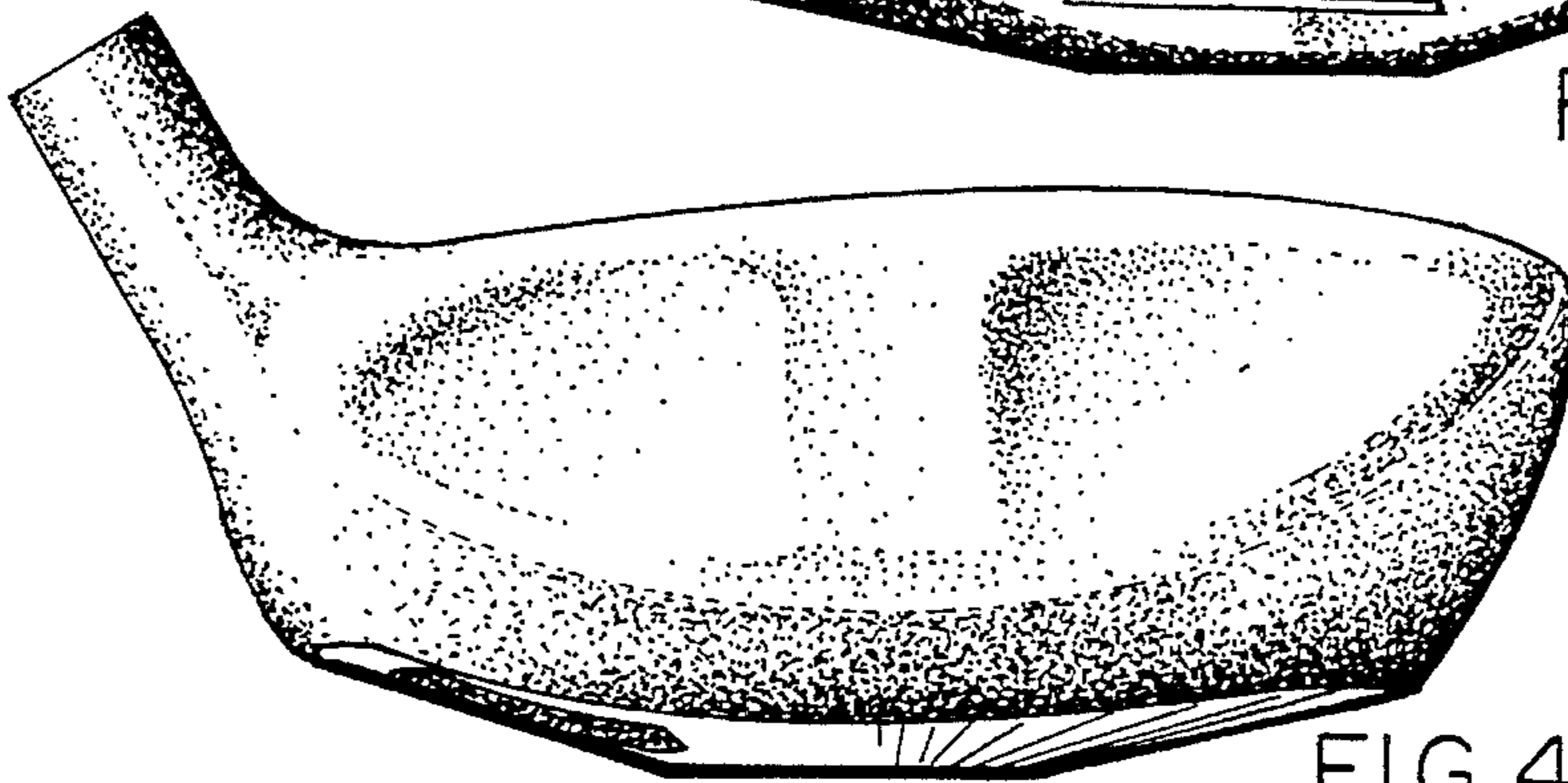


FIG. 4

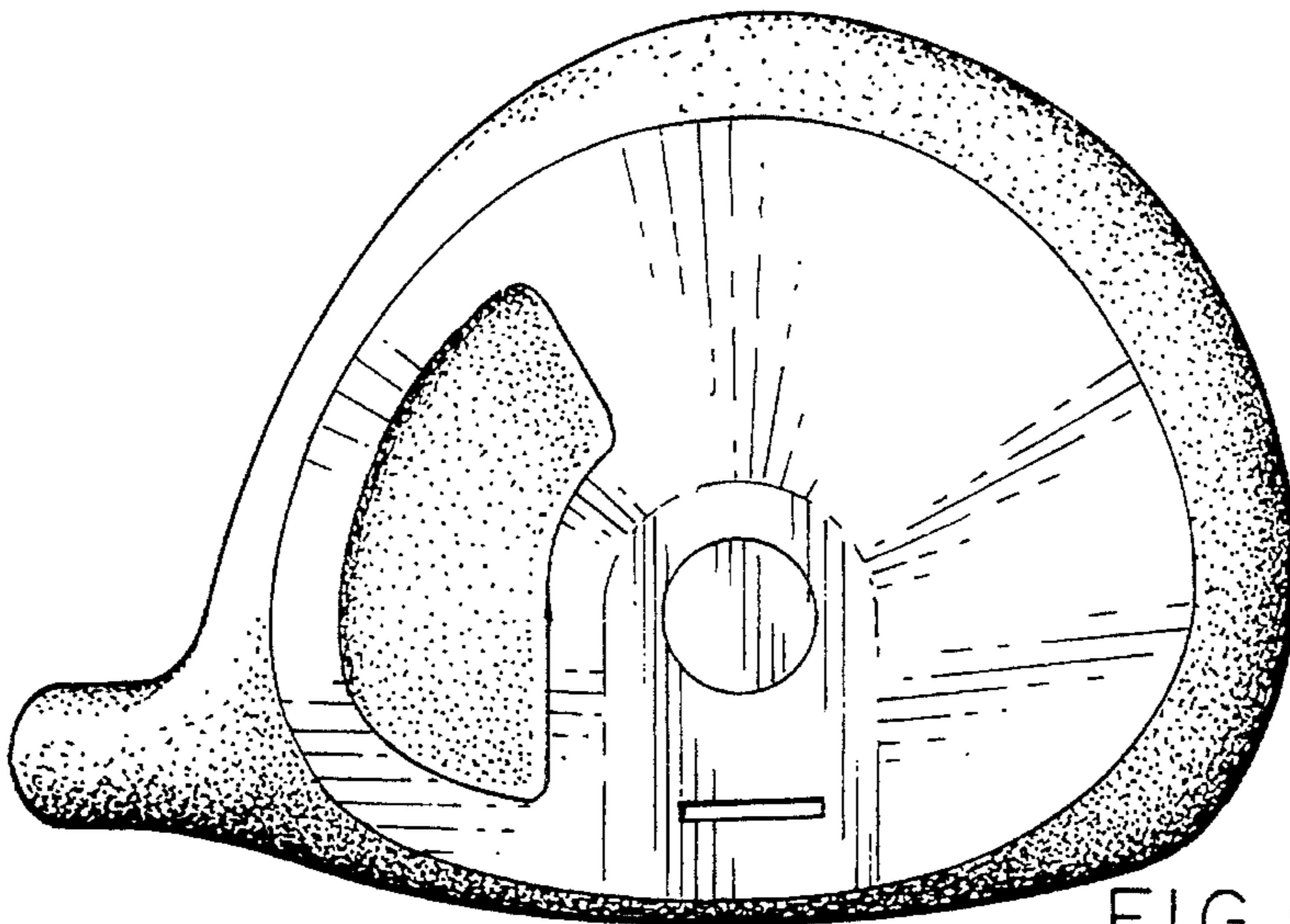


FIG. 5