



US00D363960S

United States Patent [19] Choi

[11] Patent Number: **Des. 363,960**

[45] Date of Patent: ****Nov. 7, 1995**

[54] **PROPELLING AND CATCHING DEVICE**

[75] Inventor: **Chung-Hing Choi**, Hong Kong, Hong Kong

[73] Assignee: **Hing Fat Toys Manufacturer Limited**, Hong Kong

[**] Term: **14 Years**

[21] Appl. No.: **18,632**

[22] Filed: **Feb. 14, 1994**

[52] U.S. Cl. **D21/210**

[58] Field of Search D21/210; 273/318-321, 273/326, 328

[56] **References Cited**

U.S. PATENT DOCUMENTS

D. 59,582	11/1921	Frost	D21/210
534,996	3/1895	Cundy	D21/210 X
5,224,703	7/1993	Osher	273/326 X

FOREIGN PATENT DOCUMENTS

391531 11/1908 France 273/326

Primary Examiner—Ted Shooman

Assistant Examiner—Mitchell I. Siegel

[57] **CLAIM**

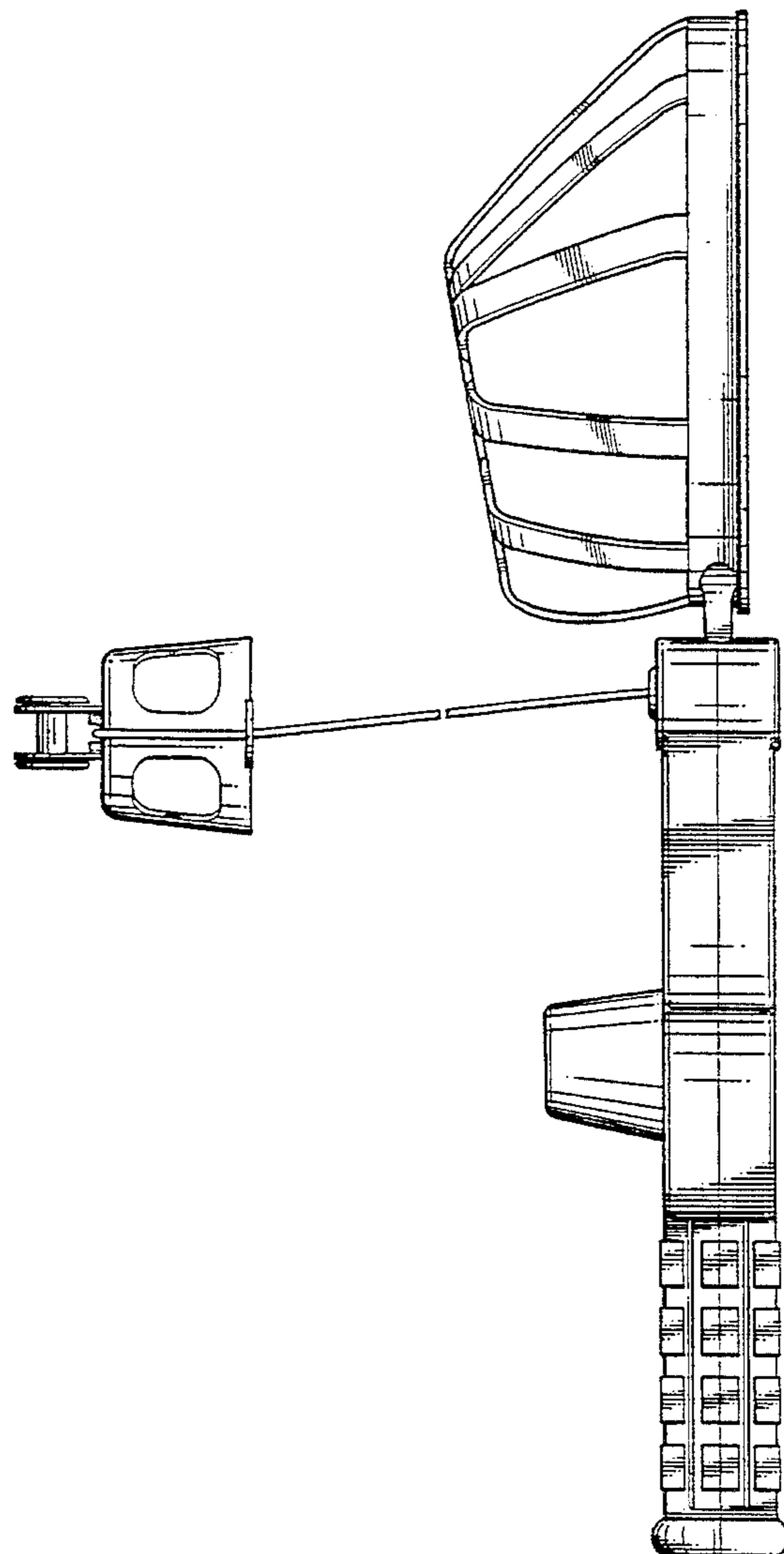
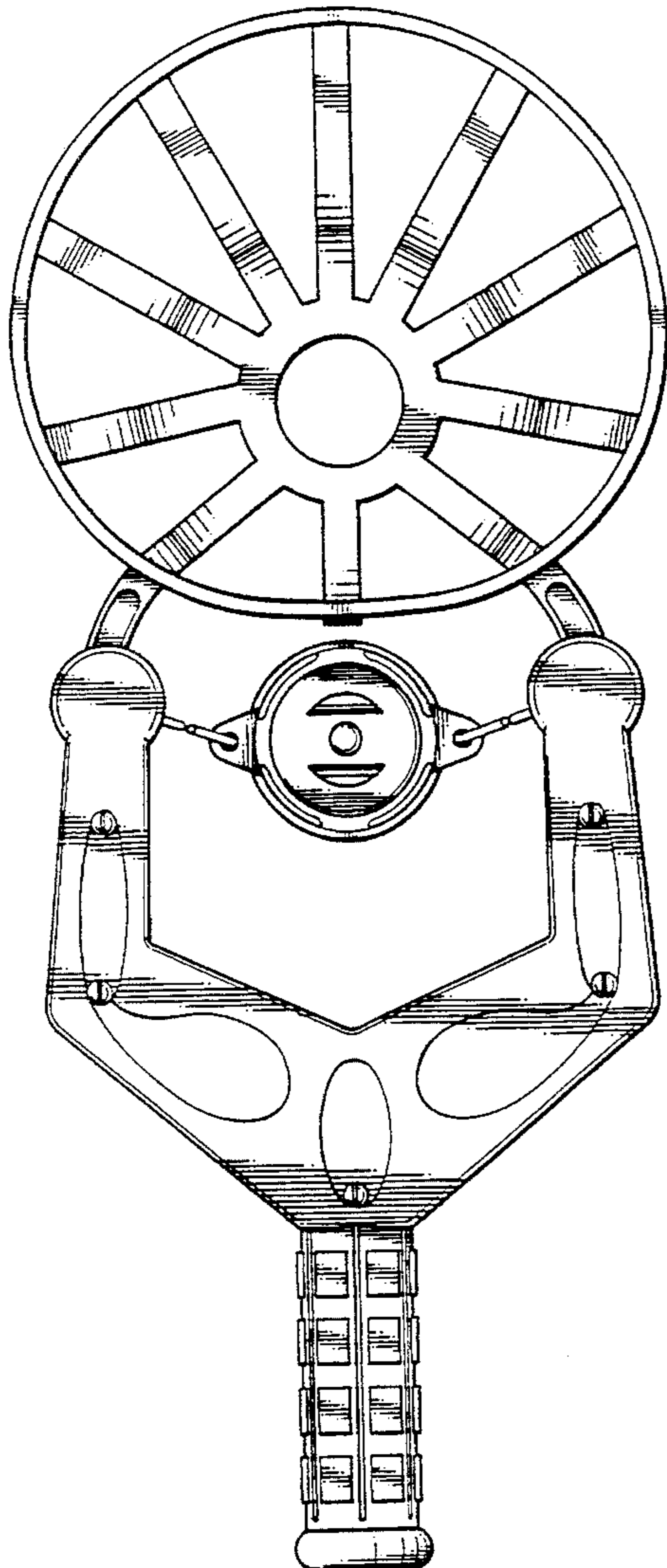
The ornamental design for a propelling and catching device, as shown and described.

DESCRIPTION

FIG. 1 is a front elevational view of a propelling and catching device showing my new design; FIG. 2 is the rear elevational view thereof; FIG. 3 is the left side view thereof; FIG. 4 is the right side view thereof; FIG. 5 is the top plan view thereof; and, FIG. 6 is the bottom view thereof.

The broken away section of the rubber band is due to an indeterminate length.

1 Claim, 5 Drawing Sheets



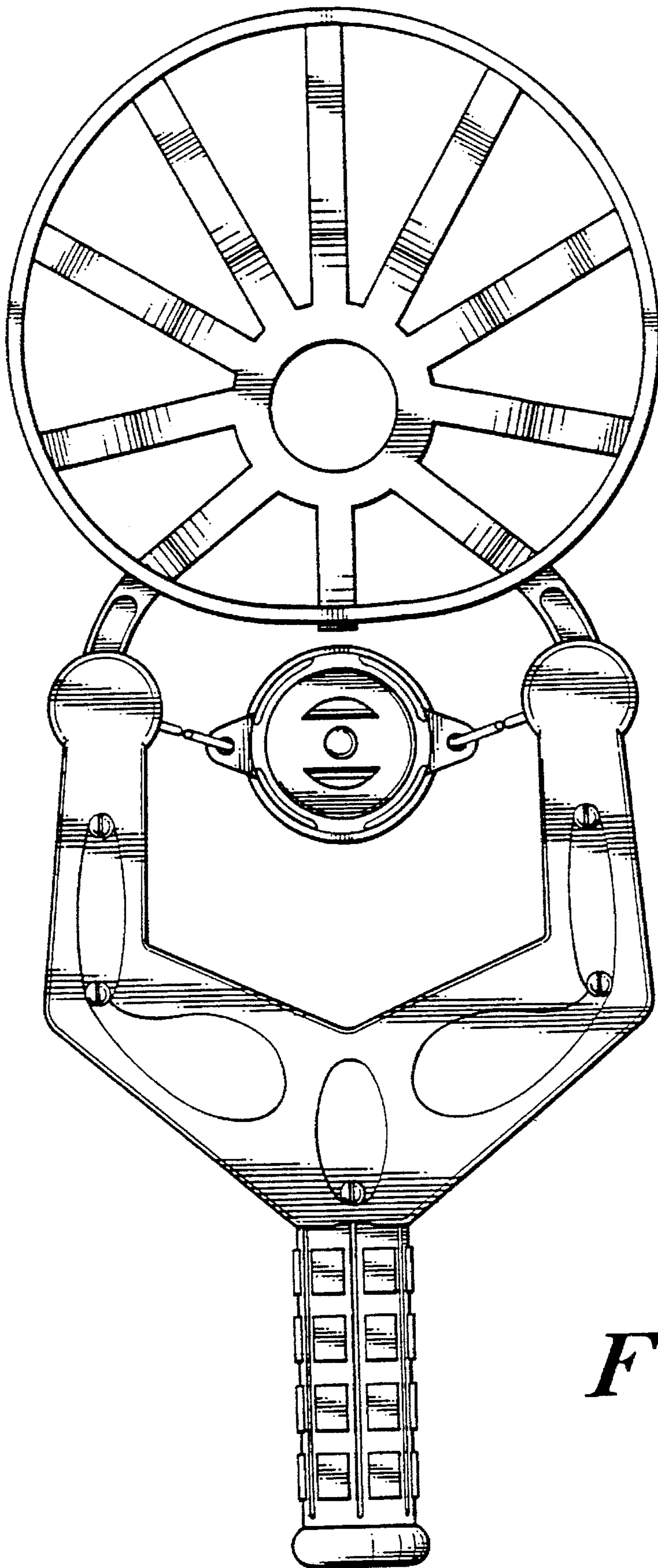


FIG. 1

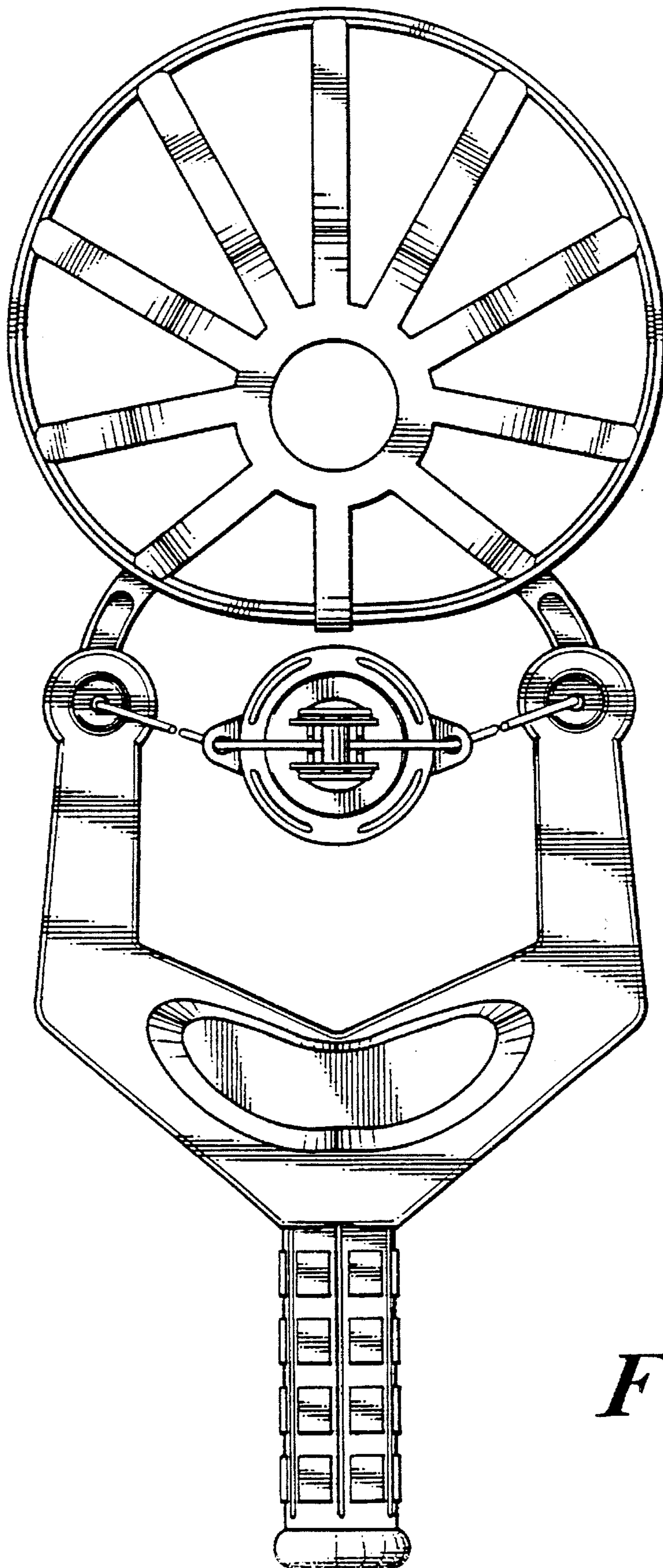


FIG. 2

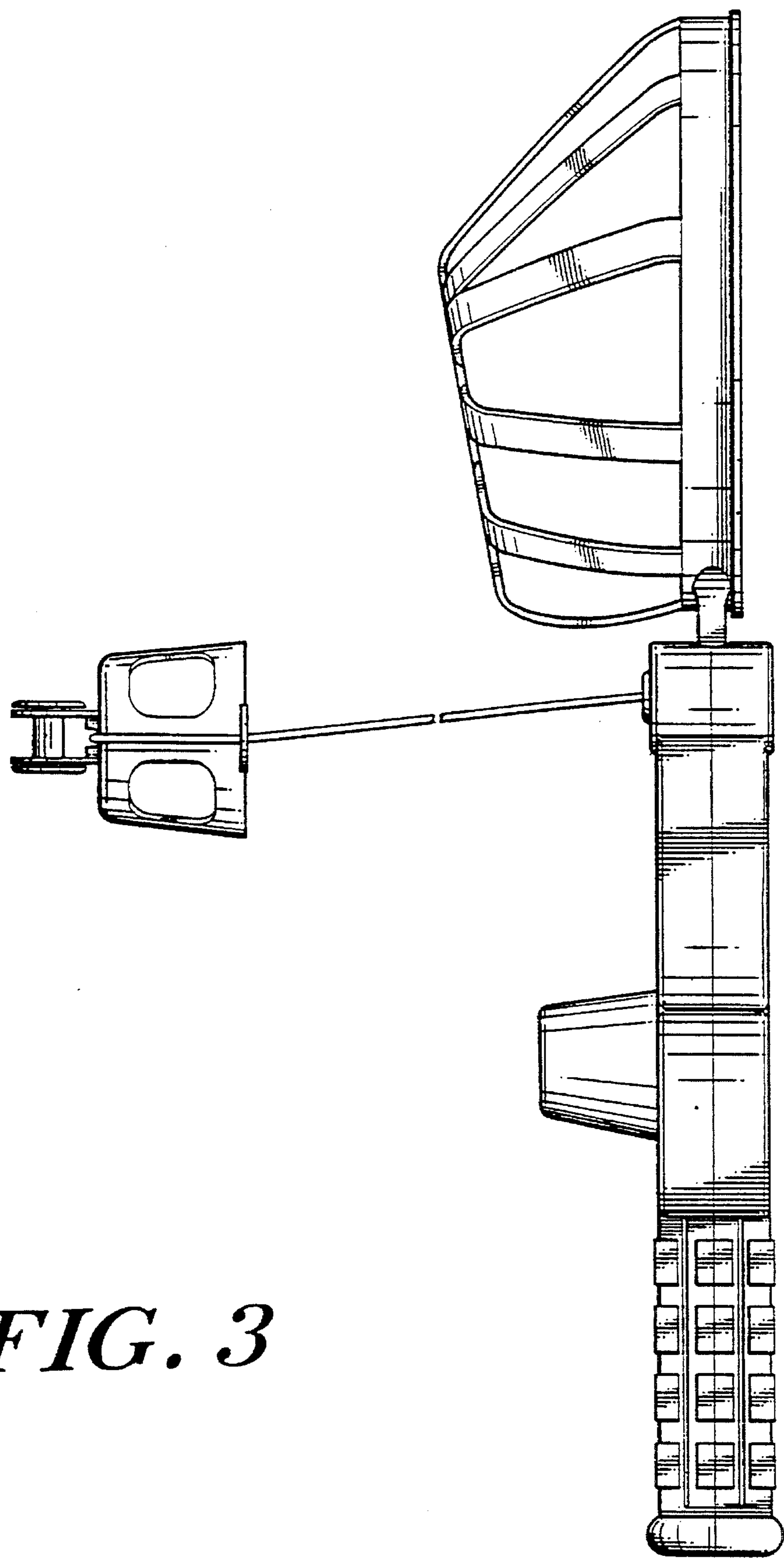


FIG. 3

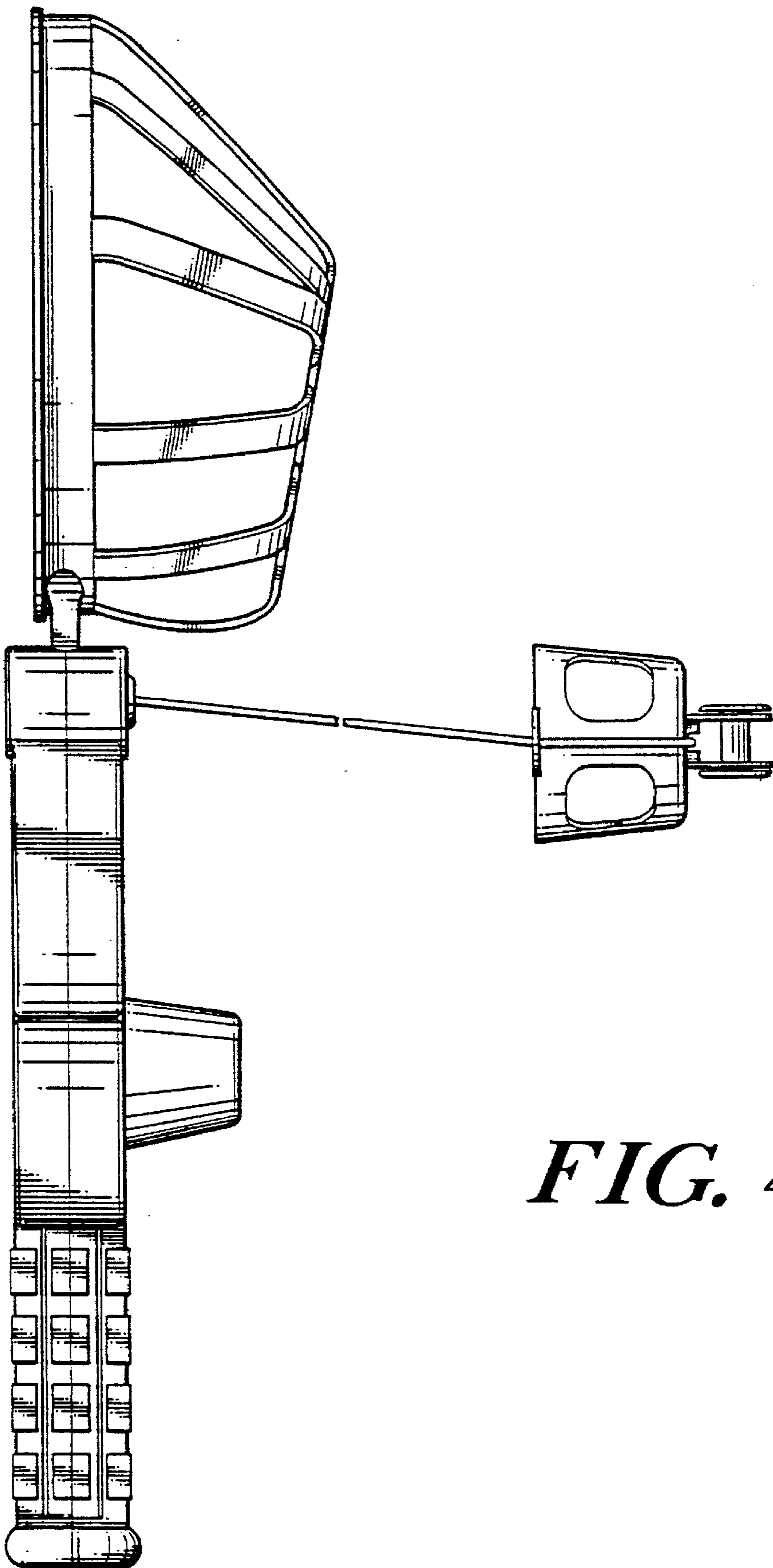


FIG. 4

FIG. 5

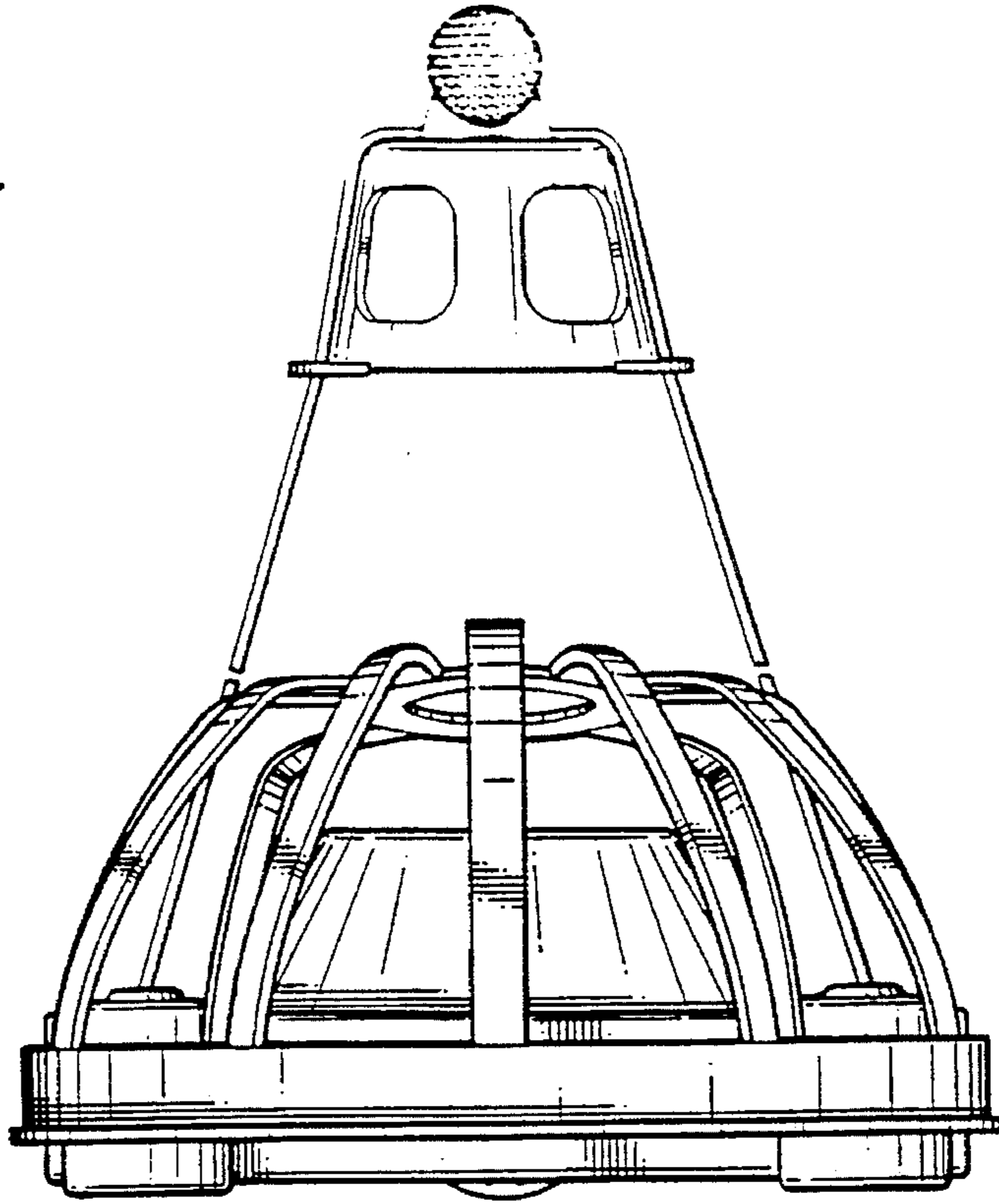


FIG. 6

