



US00D363959S

United States Patent [19] Grubbs

[11] Patent Number: **Des. 363,959**

[45] Date of Patent: ****Nov. 7, 1995**

[54] DOLL STAND 164397 9/1933 Switzerland 248/122

[76] Inventor: **Don Grubbs**, 1502 Harrison, Wichita Falls, Tex. 76309

[**] Term: **14 Years**

[21] Appl. No.: **14,346**

[22] Filed: **Oct. 19, 1993**

[52] U.S. Cl. **D21/189**

[58] Field of Search D6/449, 450, 462, D6/466, 499; D8/354, 355; D21/189; 248/122, 157, 176, 187; 446/268, 279, 376

[56] References Cited

U.S. PATENT DOCUMENTS

D. 43,836	4/1913	Wacha	D6/466
180,613	8/1876	McCutchins	446/268
D. 202,396	9/1965	Kass	D21/189
D. 287,386	12/1986	Kaiser et al.	D21/189
D. 300,790	4/1989	Beckwith	D6/466
D. 305,920	2/1990	Butler	D21/189
2,527,152	10/1950	Ransom et al.	446/268
3,009,284	11/1961	Ryan	446/268
3,516,632	6/1970	Hall	248/176
4,377,268	3/1983	Wolford	248/176
4,573,940	3/1986	Showers	446/376

FOREIGN PATENT DOCUMENTS

1221787	6/1960	France	446/279
---------	--------	--------------	---------

OTHER PUBLICATIONS

Kemper Doll Supplies Inc. Catalog vol. 3 1993 p. 13.
Seeley's 1993 Catalog p. 96.
National Art Crafts 1993-1994 Catalog #1B p. 212.
Stands by Me Doll Crafter Magazine May 1993 p. 71.

Primary Examiner—Sandra L. Morris

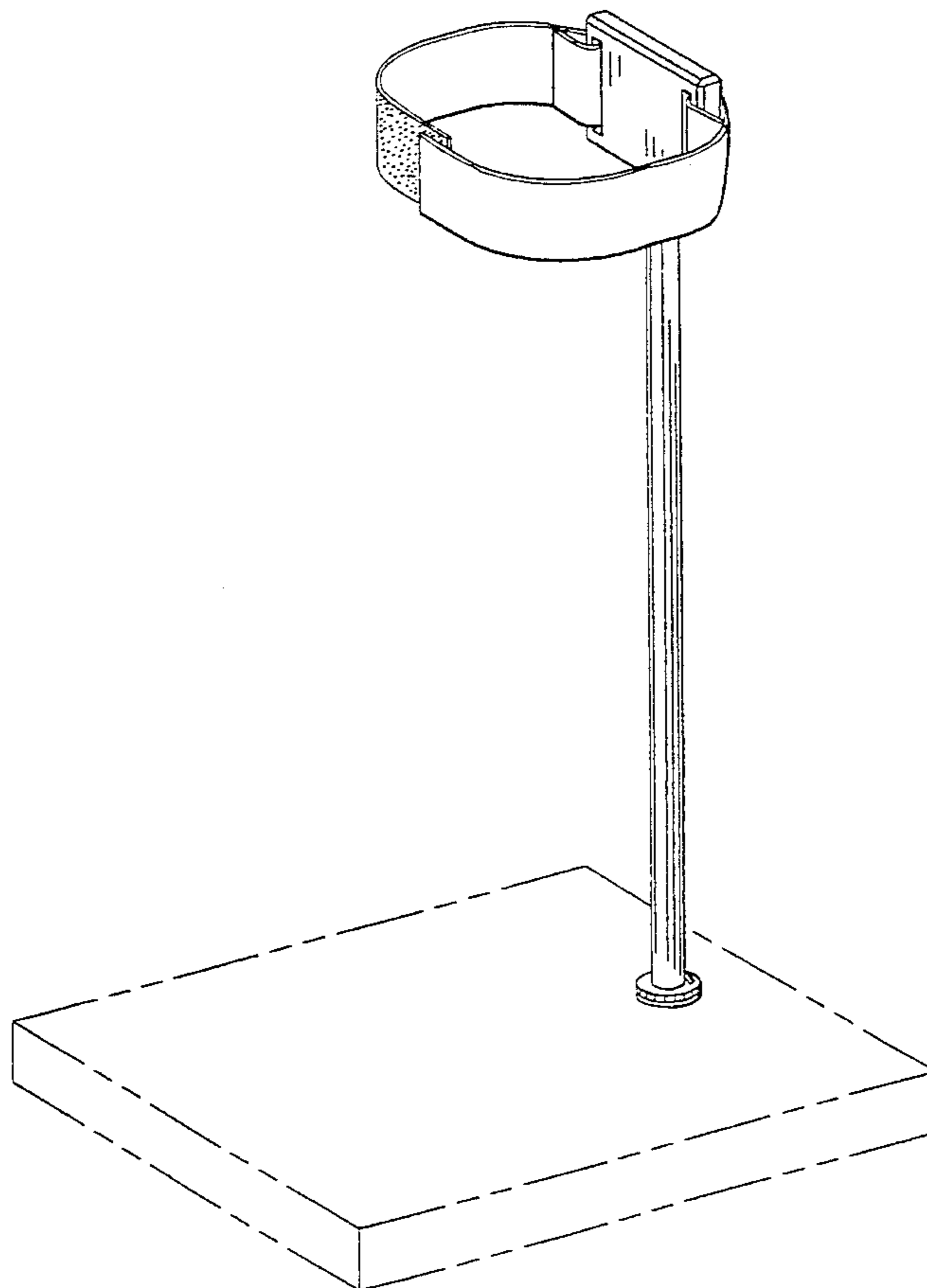
[57] CLAIM

The ornamental design for a doll stand, as shown and described.

DESCRIPTION

FIG. 1 is a perspective view of a doll stand, showing my new design, the broken line showing of the base is for illustrative purposes only, and forms no part of the claimed design; FIG. 2 is a reduced top plan view thereof; FIG. 3 is a reduced left side elevational view thereof; FIG. 4 is a reduced front elevational view thereof; FIG. 5 is a reduced right side elevational view thereof; FIG. 6 is a reduced rear elevational view thereof; FIG. 7 is a reduced bottom plan view thereof; and, FIG. 8 is a perspective view thereof, the broken line showing of the doll is for illustrative purpose only, and forms no part of the claimed design.

1 Claim, 4 Drawing Sheets



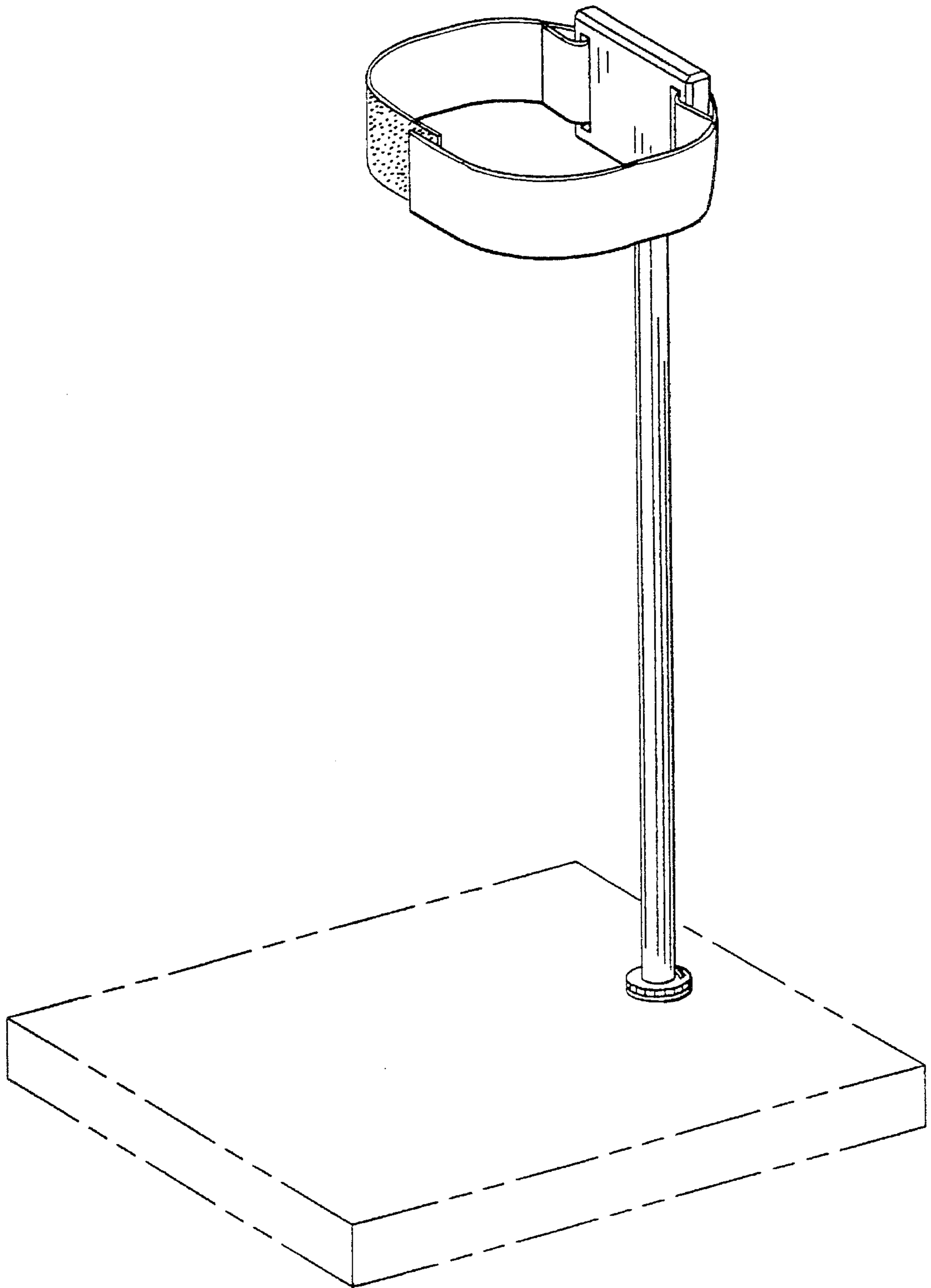


Fig. 1

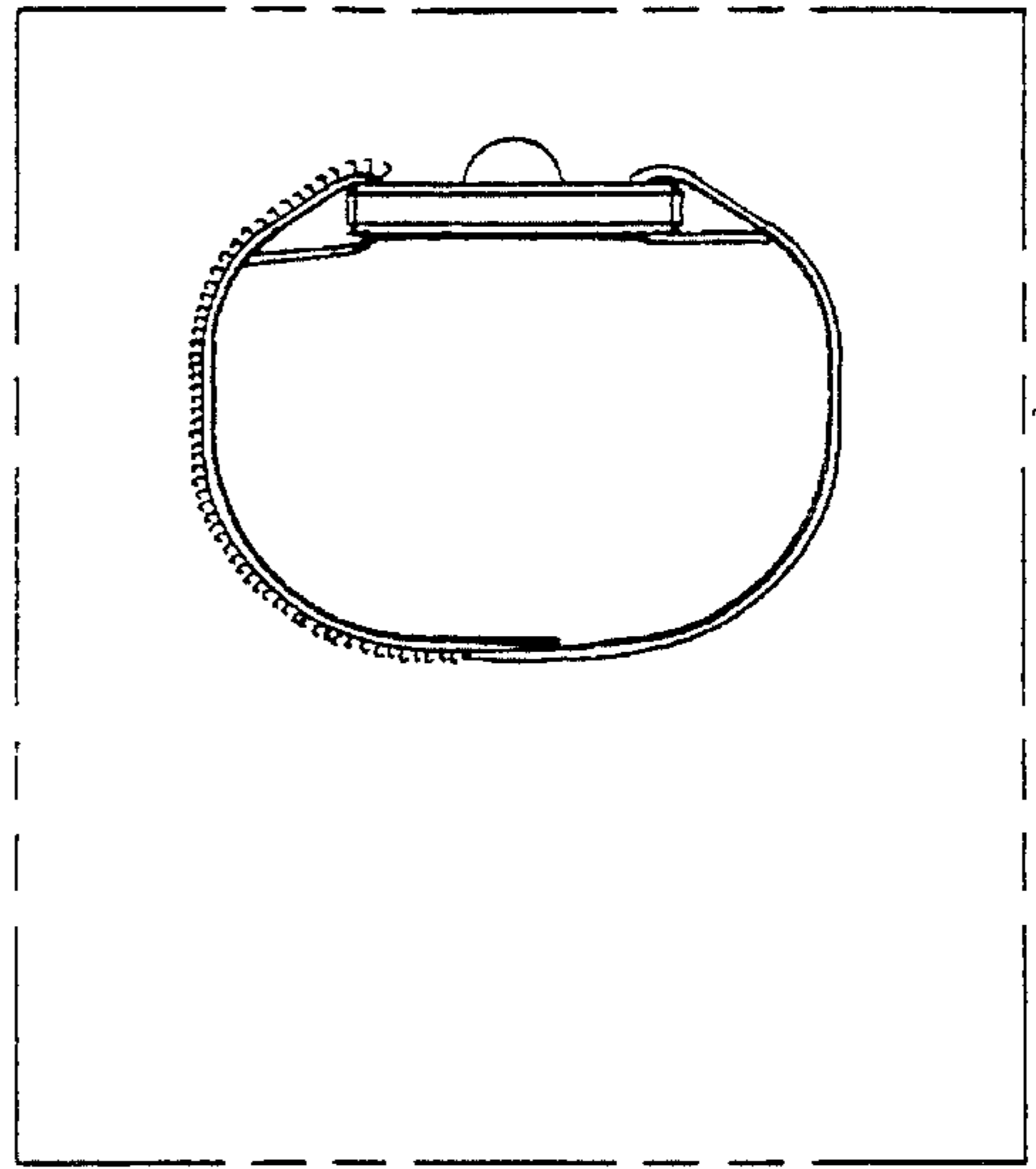


Fig. 2

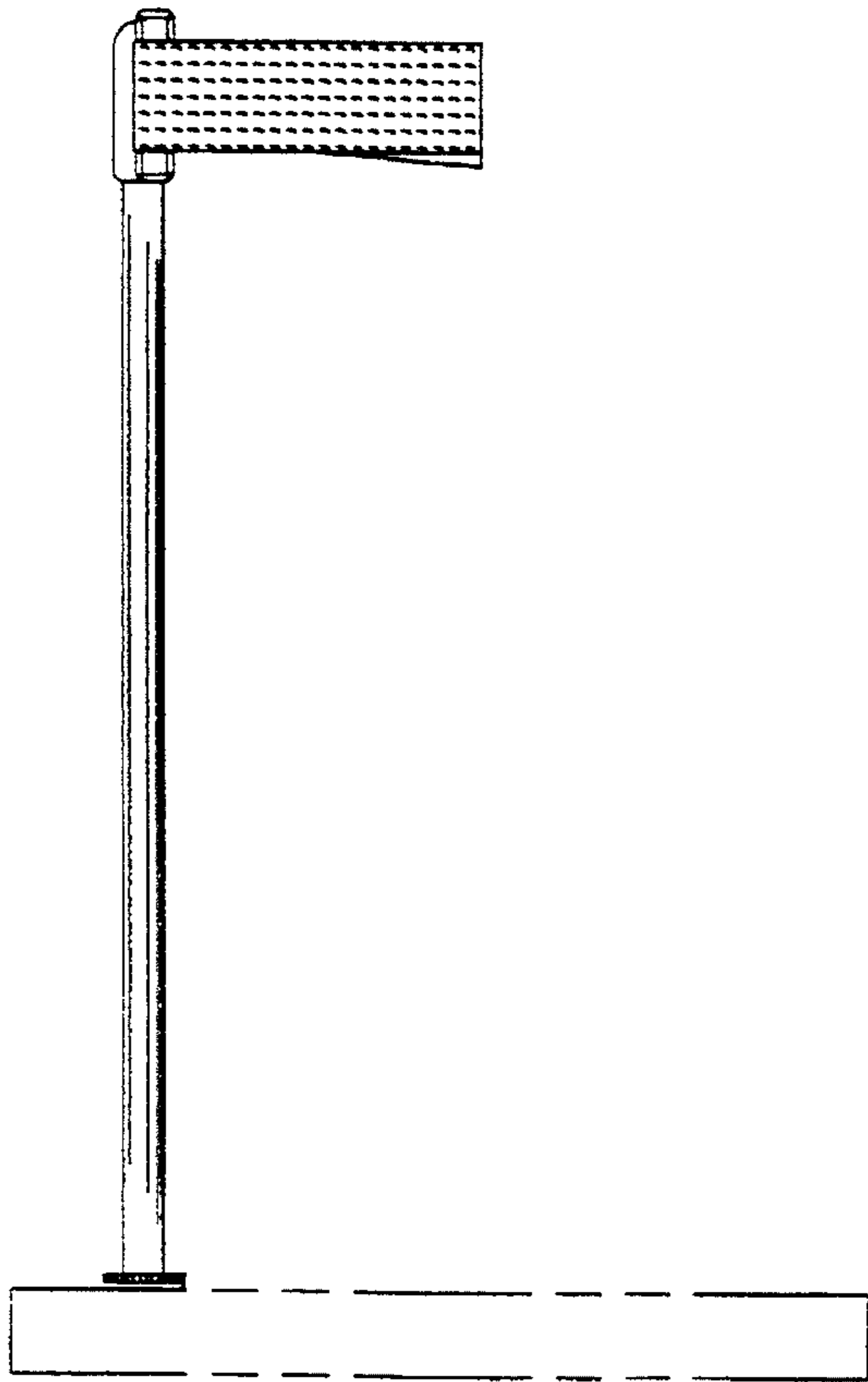


Fig. 3

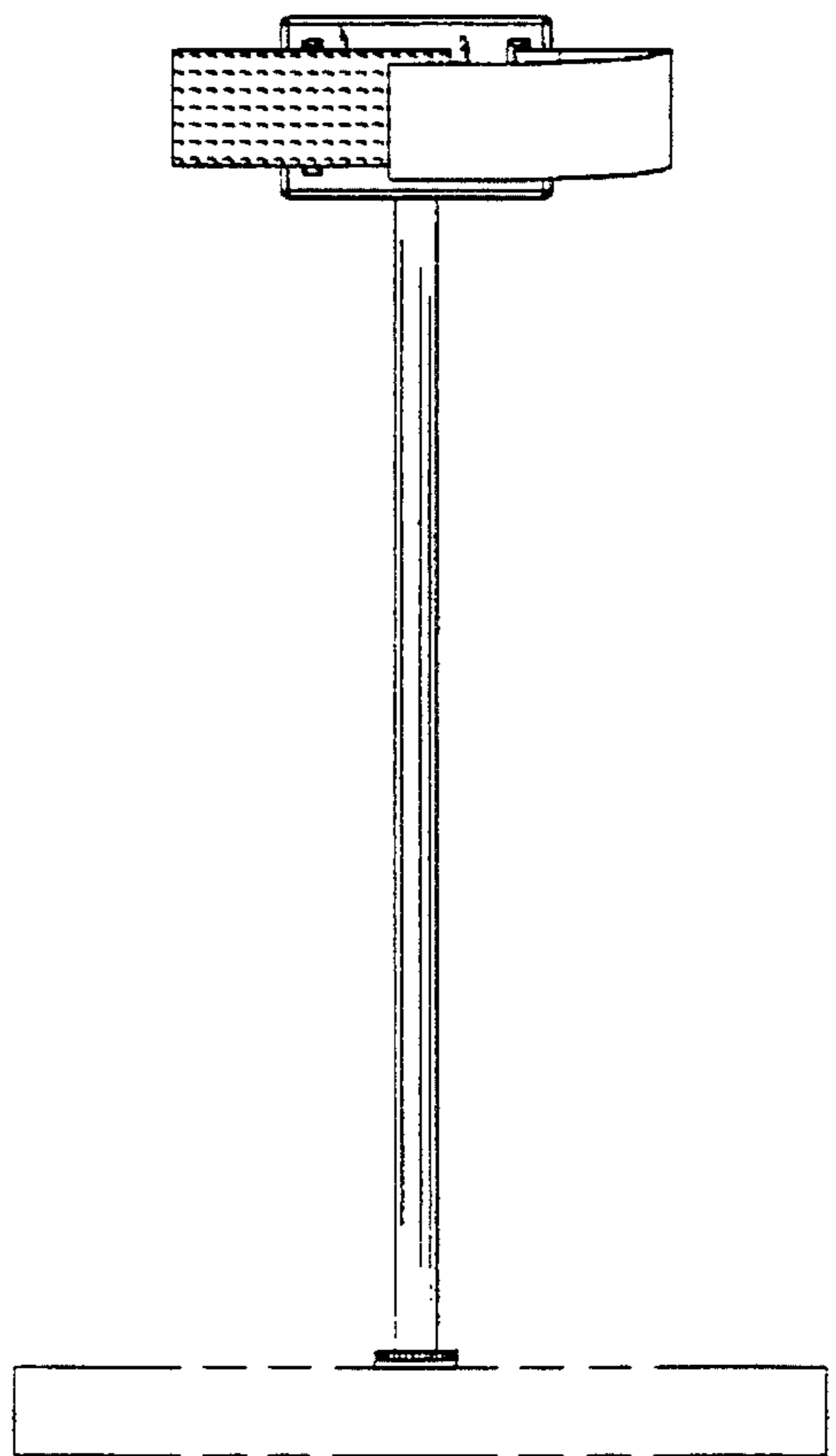


Fig. 4

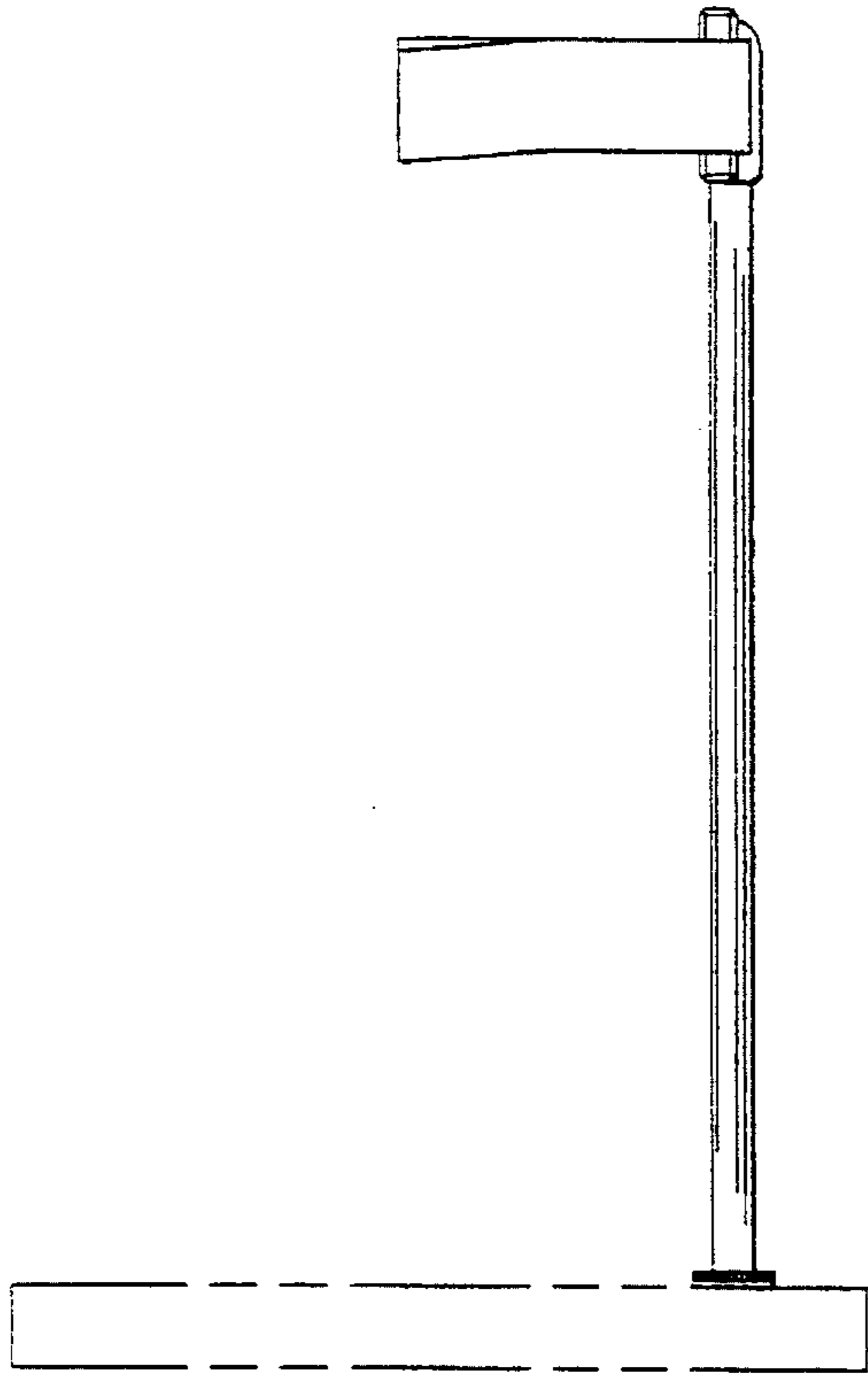


Fig. 5

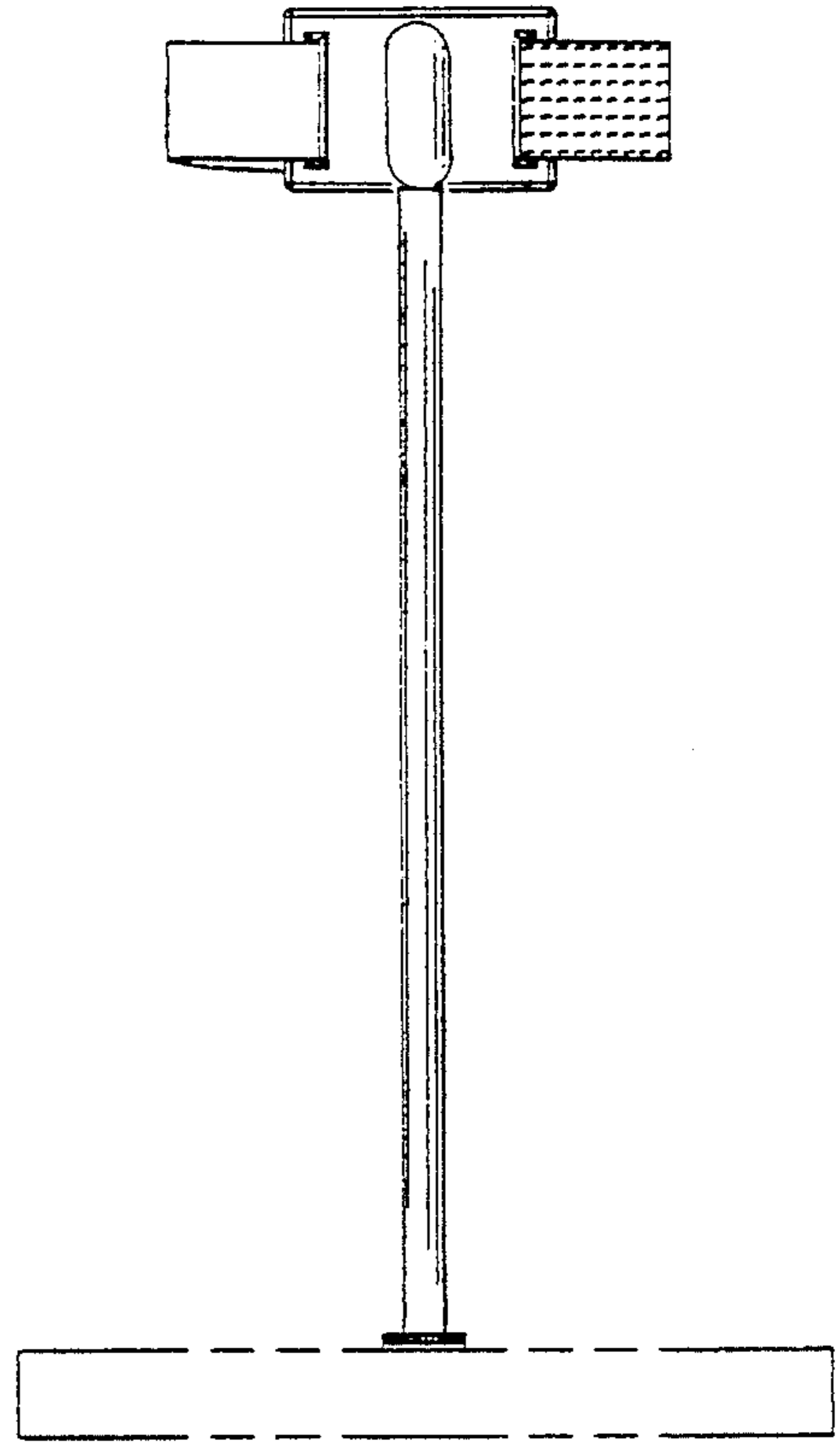


Fig. 6

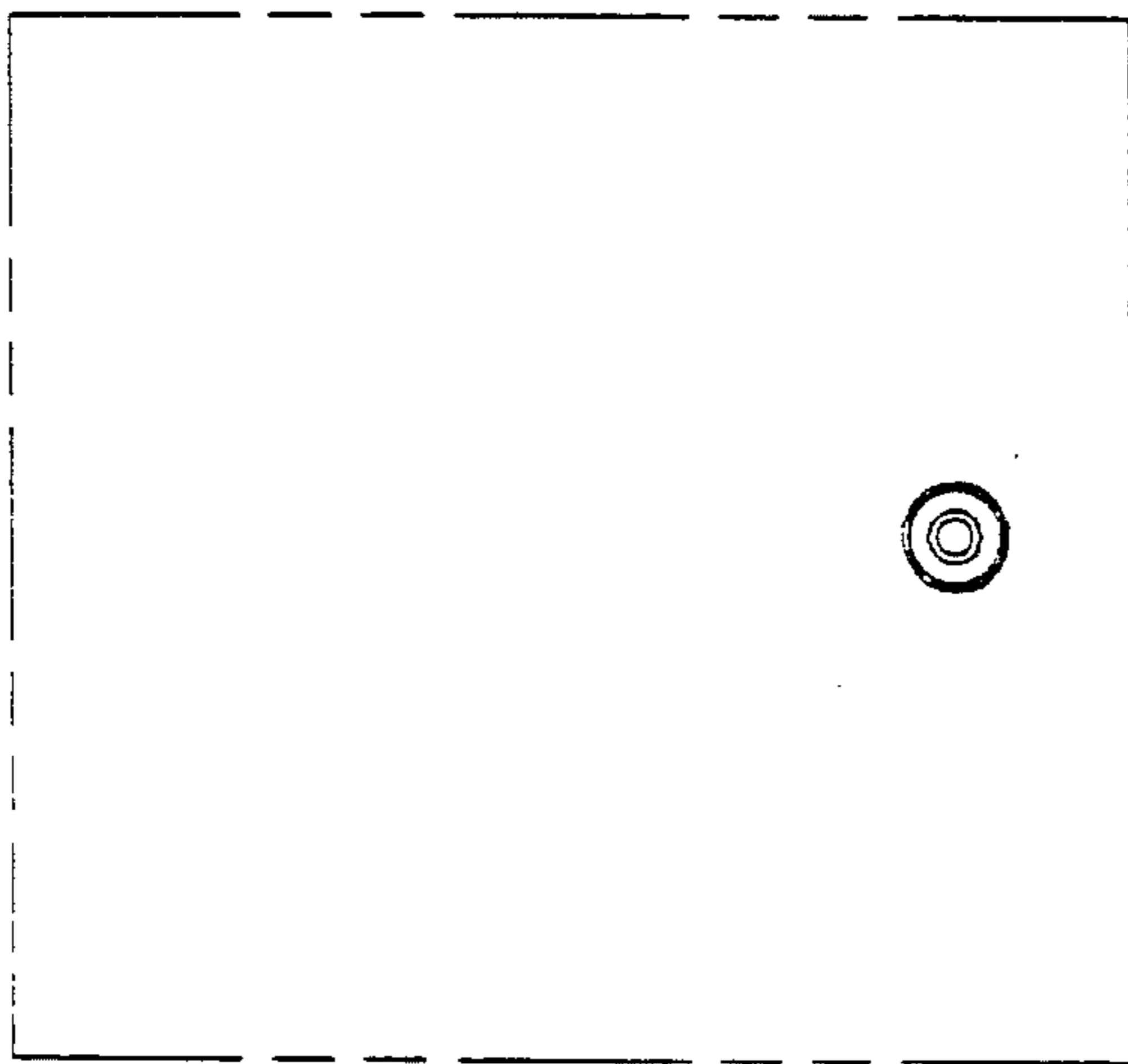


Fig. 7

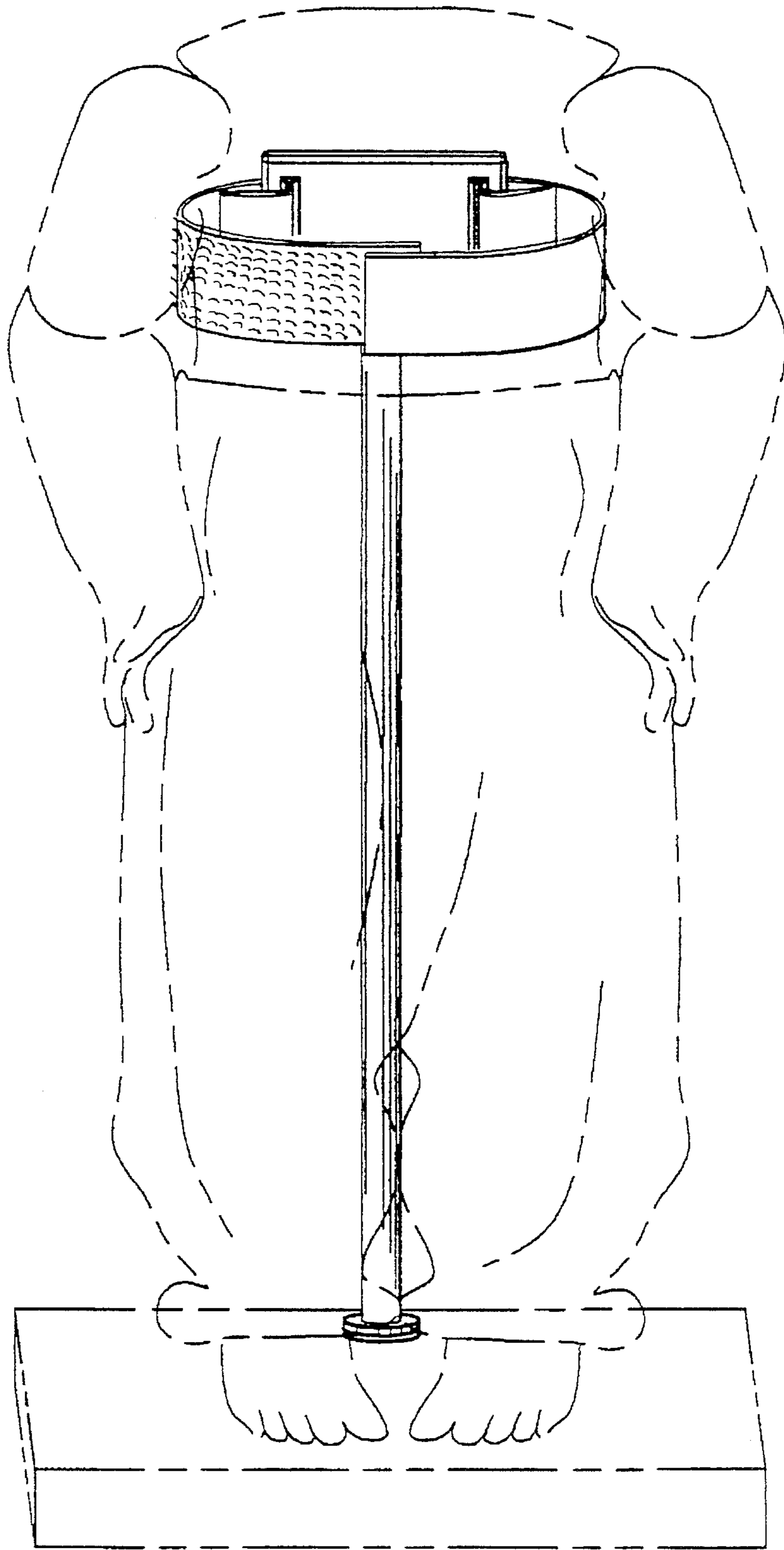


Fig. 8