



US00D363956S

United States Patent [19]

[11] Patent Number: **Des. 363,956**

Mathews

[45] Date of Patent: ***** Nov. 7, 1995**

[54] **REMOTE CONTROL DEVICE FOR A SLOT MACHINE**

[76] Inventor: **Linton Mathews**, 6621 Cowboy Trail, Las Vegas, Nev. 89121

[*] Notice: The portion of the term of this patent subsequent to Jun. 20, 2009, has been disclaimed.

[**] Term: **14 Years**

[21] Appl. No.: **20,512**

[22] Filed: **Mar. 28, 1994**

Related U.S. Application Data

[63] Continuation-in-part of Ser. No. 19,944, Mar. 15, 1994, Pat. No. Des. 359,518.

[52] U.S. Cl. **D21/48**

[58] Field of Search D21/48, 13; D14/218; D13/162-164, 168, 184; 273/433-438, 148 B, DIG. 28

[56] **References Cited**

U.S. PATENT DOCUMENTS

D. 272,921	3/1984	Kim	D21/48
D. 308,666	6/1990	Oesterheld et al.	D13/168
D. 341,837	11/1993	Curbbun	D14/218
D. 344,524	2/1994	Taniguchi	D14/218
D. 353,410	12/1994	Chan	D21/48
4,404,865	9/1983	Kim	273/438 X
4,488,017	12/1984	Lee	273/438 X
4,506,890	3/1985	Murry	273/138
4,799,683	1/1989	Bruner, Jr.	273/138
4,815,733	3/1989	Yokoi	273/438 X
5,096,195	3/1992	Gimmon	273/138
5,240,249	8/1993	Czarnecki et al.	273/85
5,259,626	11/1993	Ho	273/438

FOREIGN PATENT DOCUMENTS

2057174	3/1981	United Kingdom .
WO92/09341	6/1992	WIPO .

OTHER PUBLICATIONS

Atari Video Games, p. 30.

Consumer Reports, Nov. 1977, p. 633.

Primary Examiner—Prabhakar G. Deshmukh

Attorney, Agent, or Firm—John Edward Roethel

[57] **CLAIM**

The ornamental design for remote control device for a slot machine, as shown and described.

DESCRIPTION

FIG. 1 is an isometric view of the remote control device for a slot machine showing my new design, with a slot machine and connecting wire shown in broken lines. The broken line showing of the slot machine and connecting wire is for illustrative purposes only and forms no part of the claimed design.

FIG. 2 is a top plan view thereof;

FIG. 3 is a bottom plan view thereof;

FIG. 4 is a left elevational view thereof;

FIG. 5 is a right elevational view thereof;

FIG. 6 is a rear elevational view thereof;

FIG. 7 is a front elevational view thereof;

FIG. 8 is an isometric view of the remote control device for a slot machine showing an alternative embodiment of my new design, with a slot machine and connecting wire shown in broken lines. The broken line showing of the slot machine and connecting wire is for illustrative purposes only and forms no part of the claimed design;

FIG. 9 is a top plan view thereof;

FIG. 10 is a bottom plan view thereof;

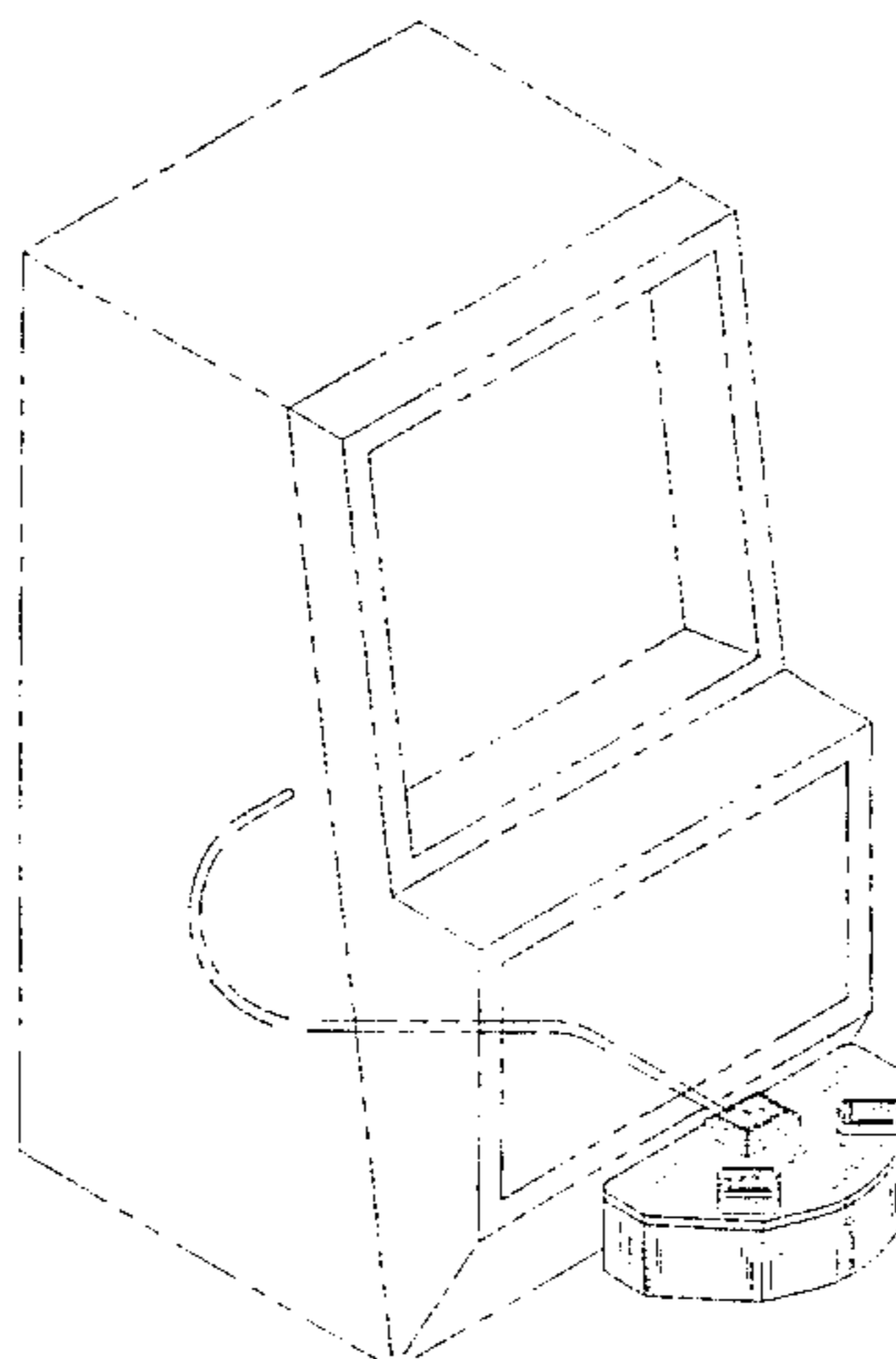
FIG. 11 is a left elevational view thereof;

FIG. 12 is a right elevational view thereof;

FIG. 13 is a rear elevational view thereof; and,

FIG. 14 is a front elevational view thereof.

1 Claim, 8 Drawing Sheets



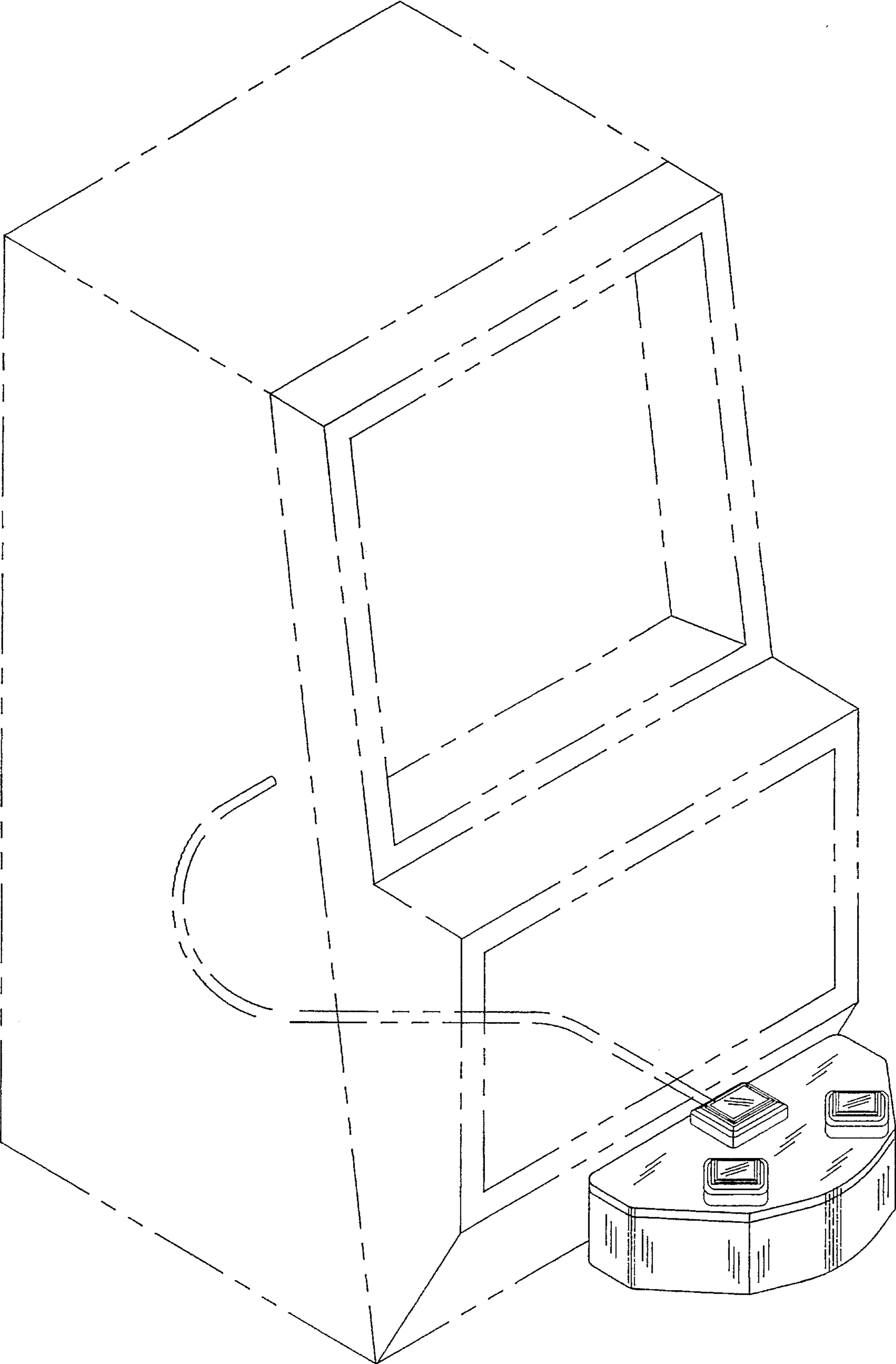


FIG-1

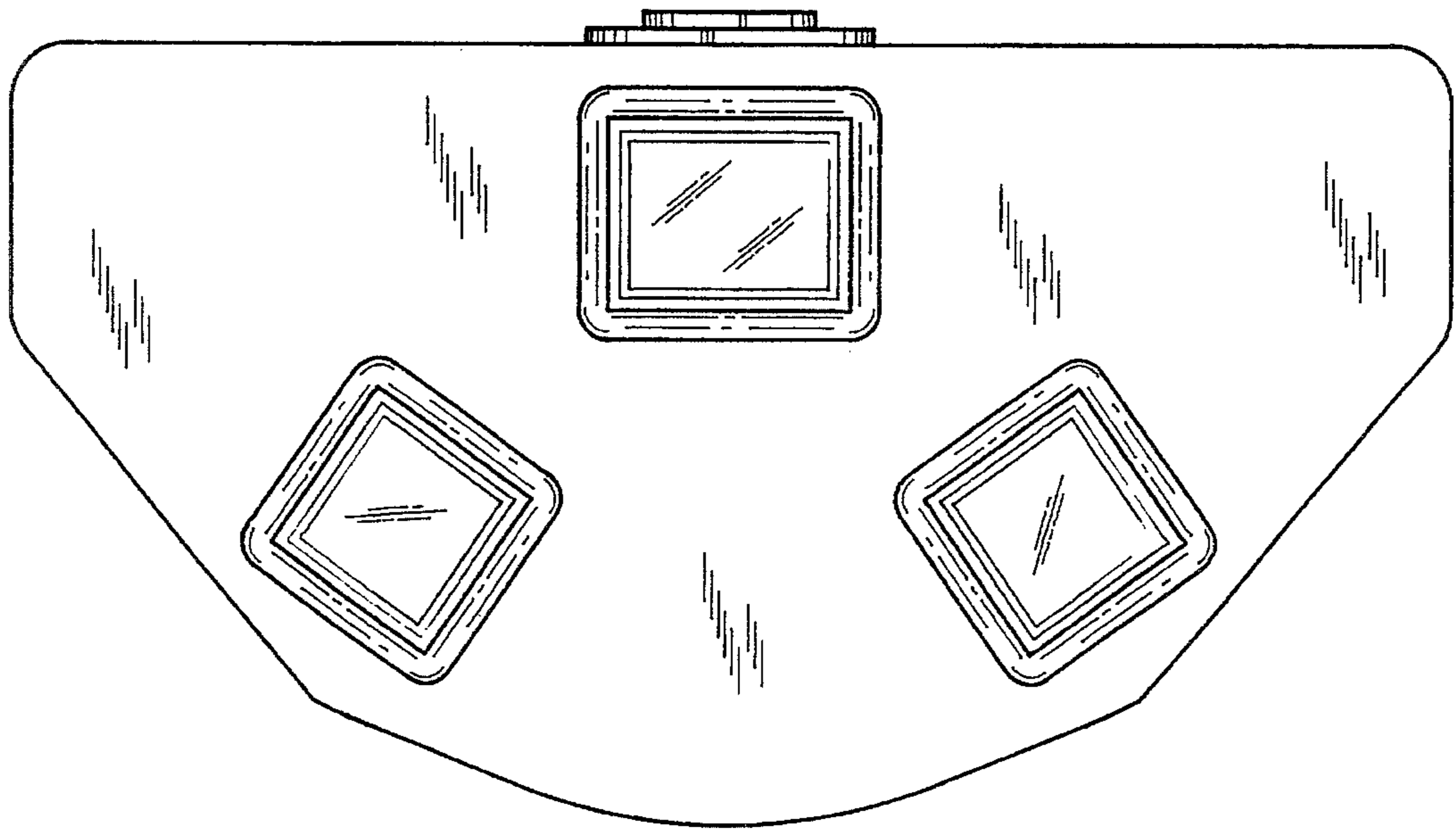


FIG-2

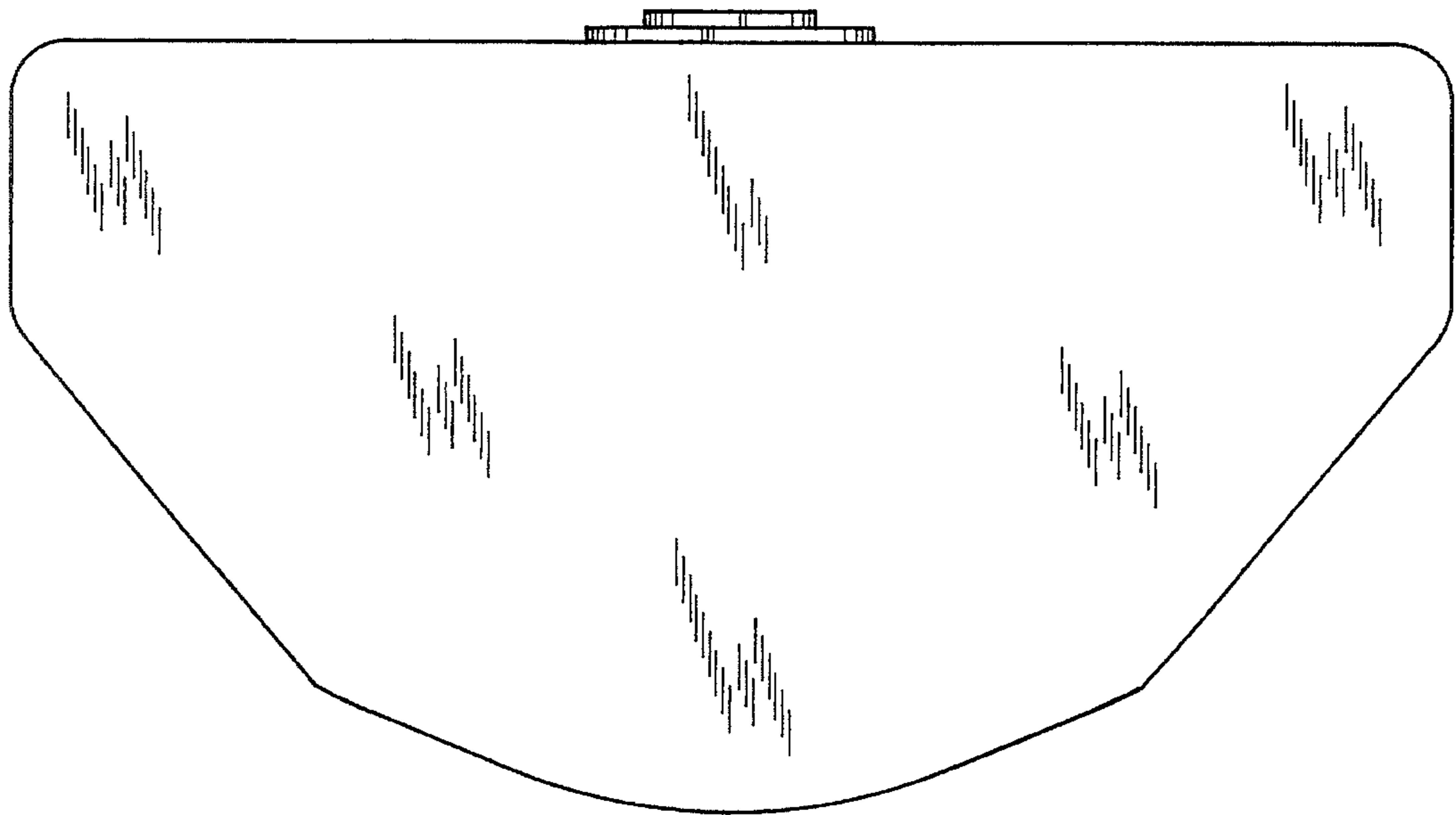


FIG-3

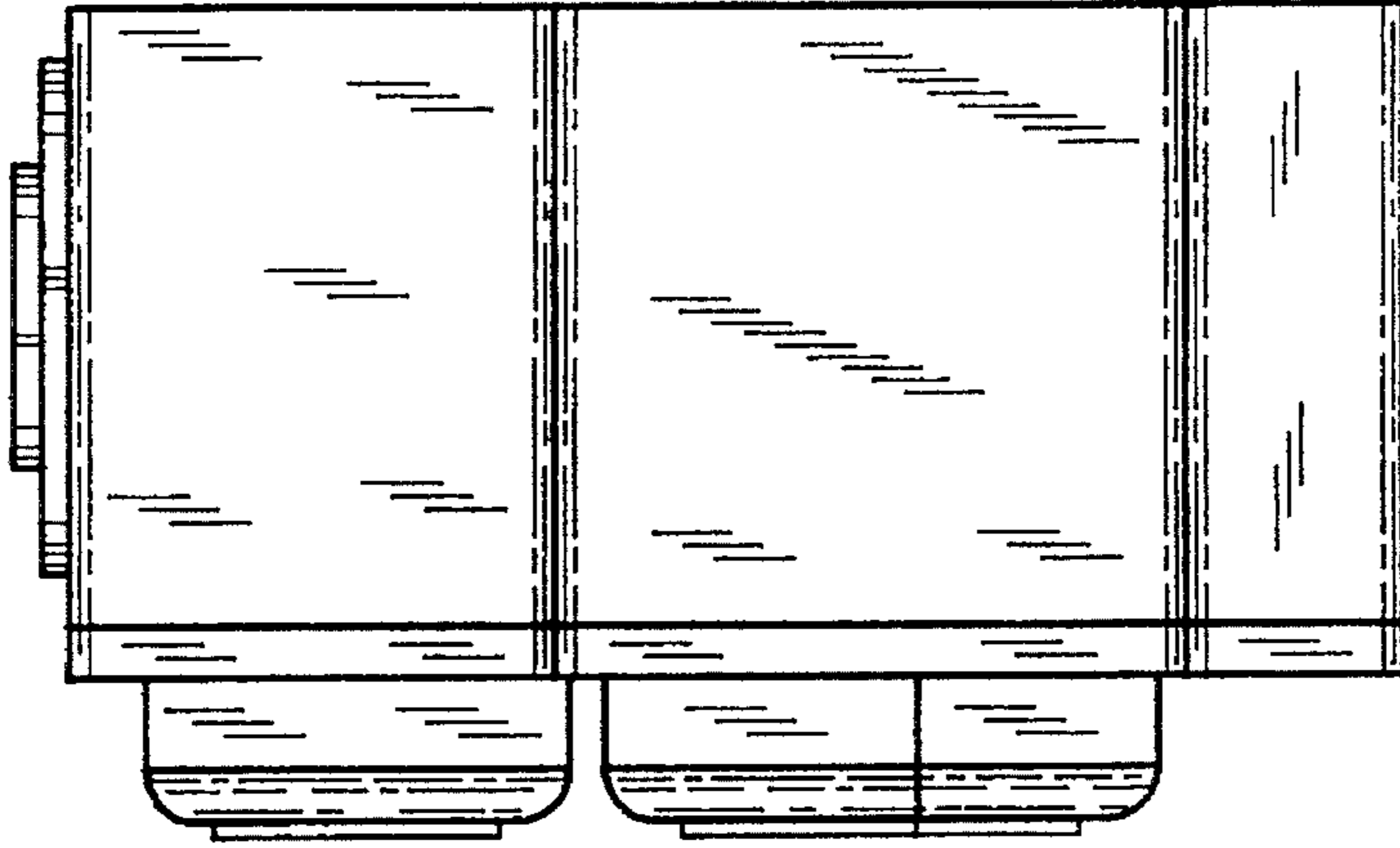


FIG-5

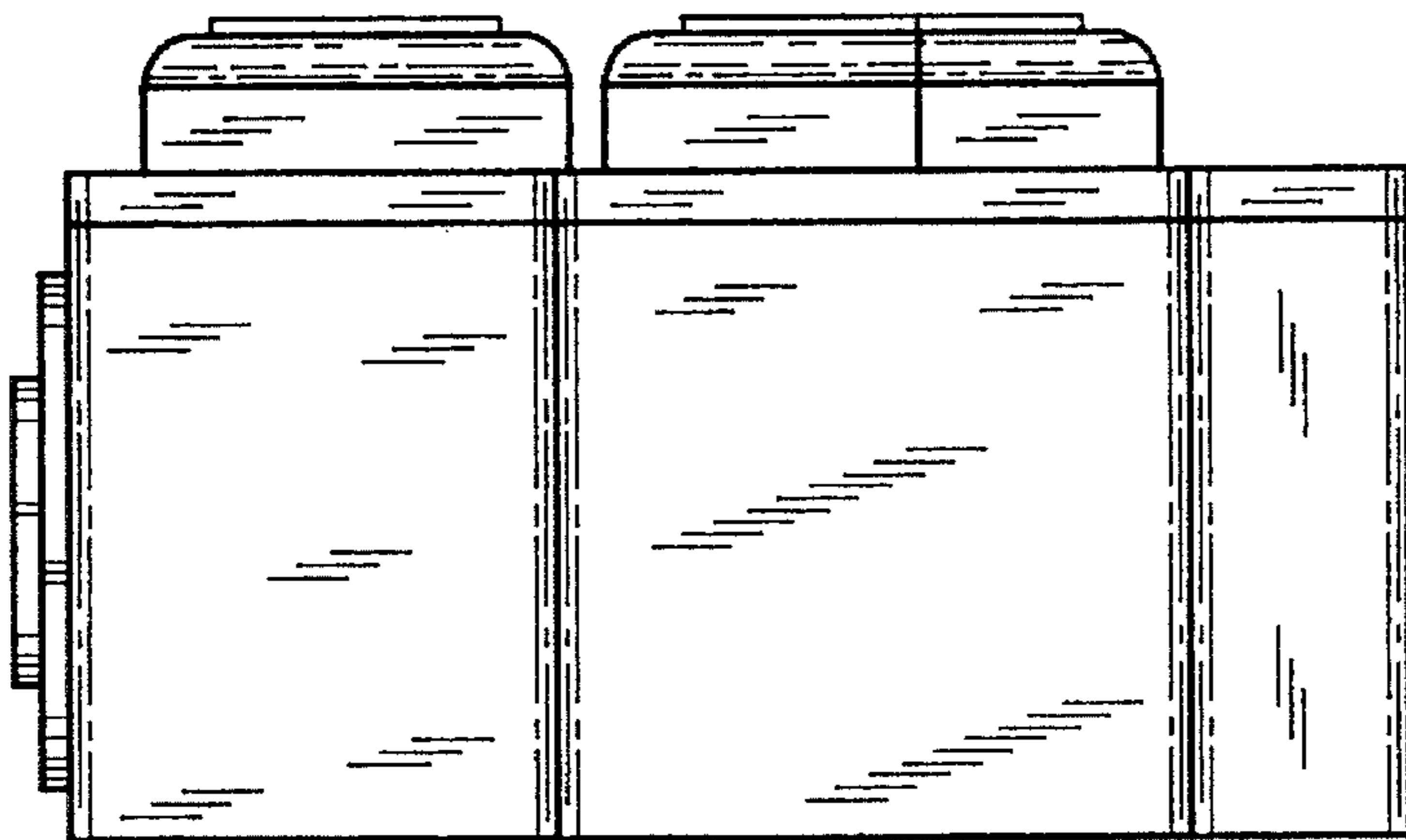


FIG-4

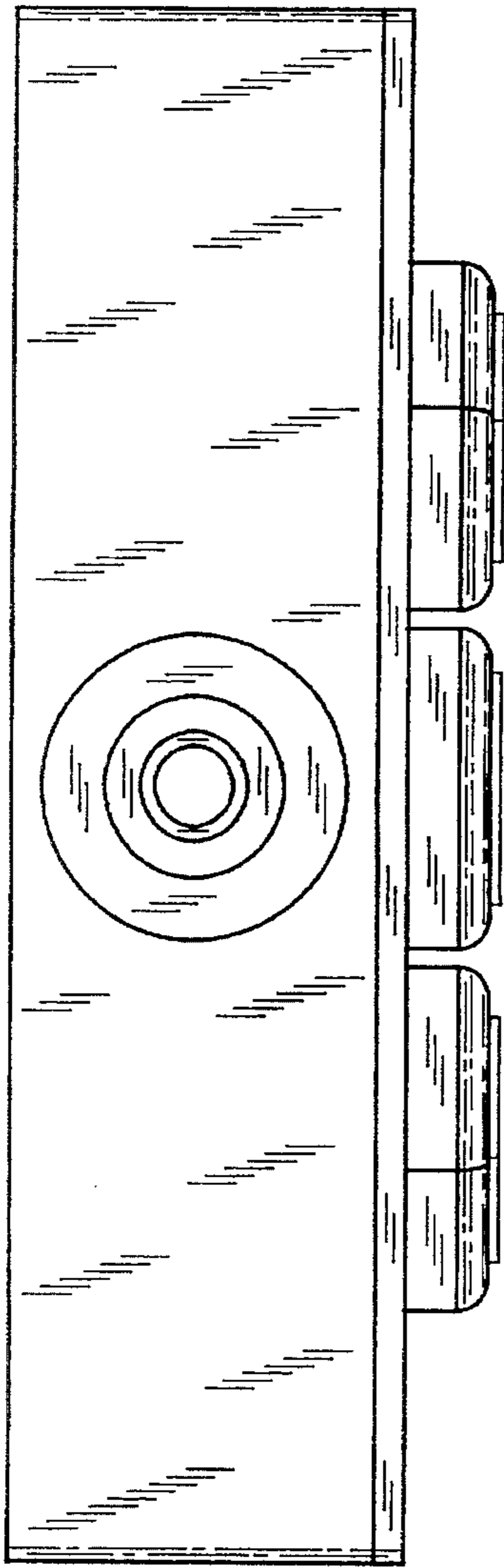


FIG-6

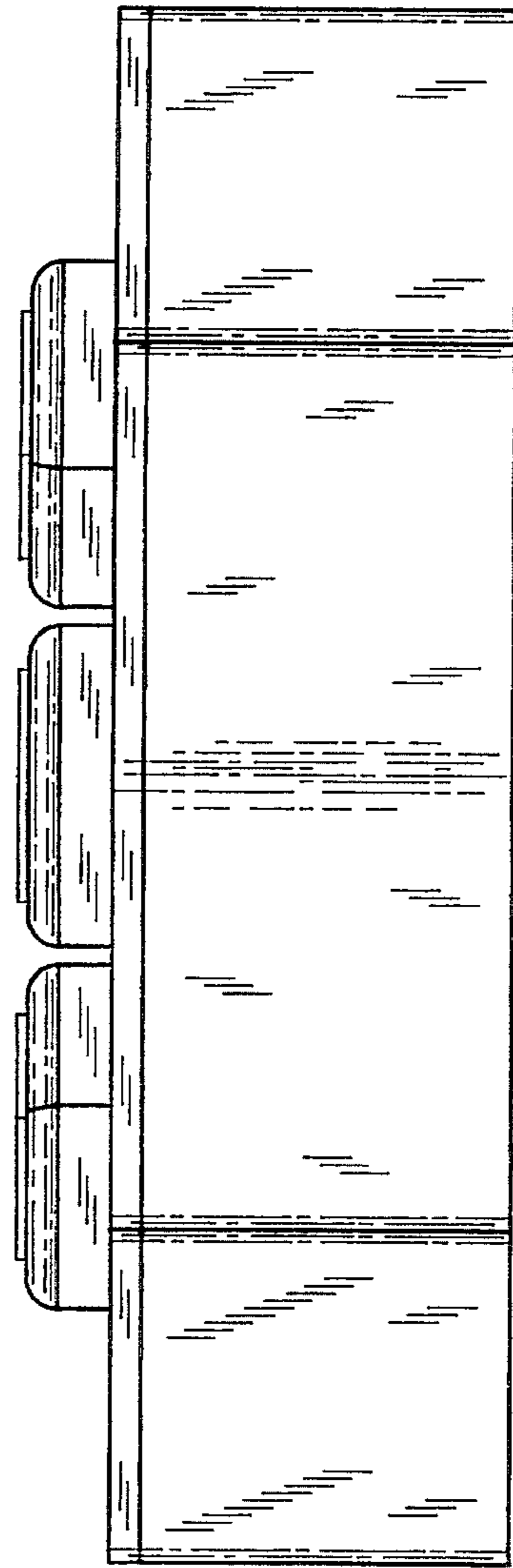


FIG-7

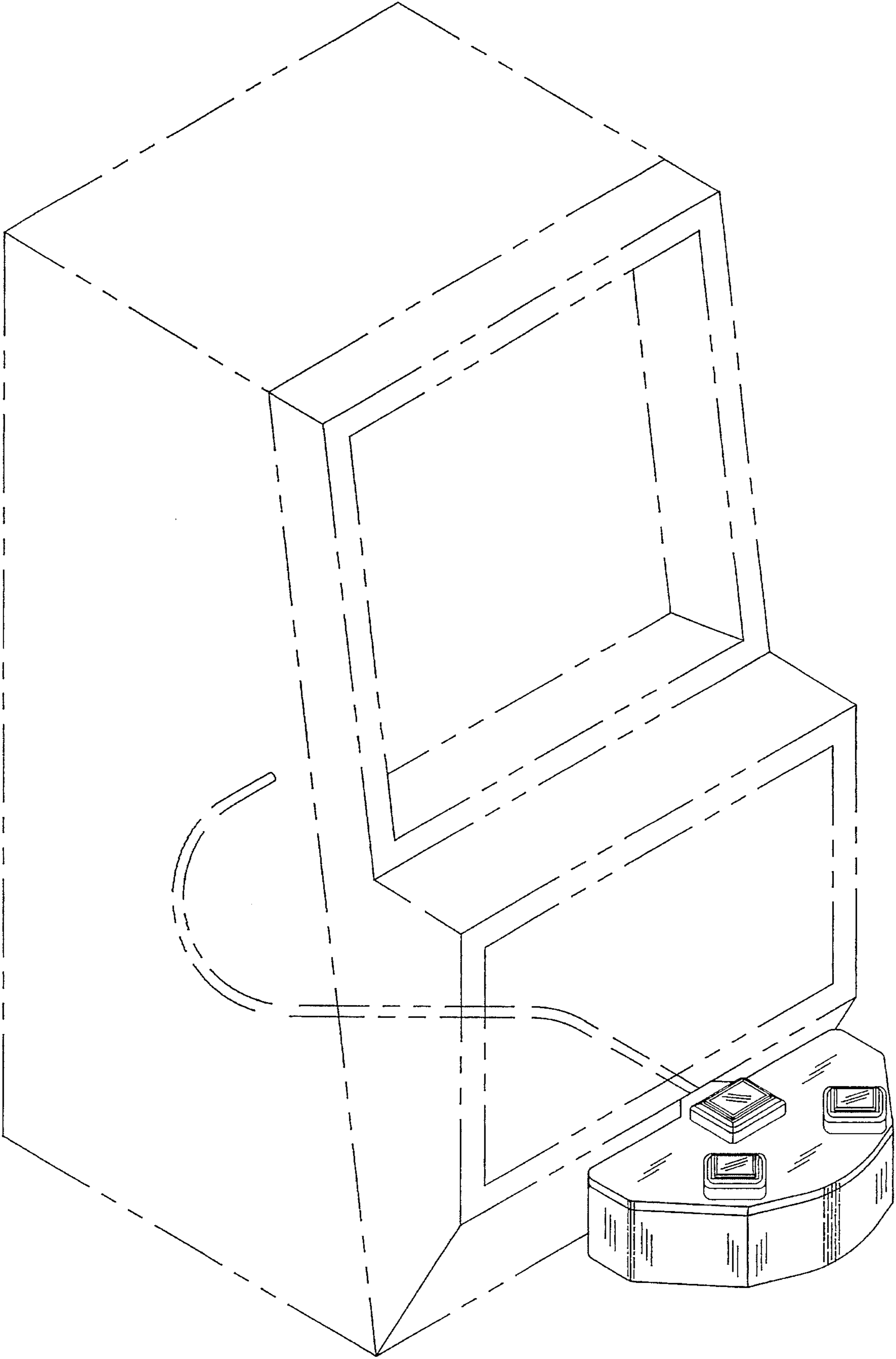


FIG-8

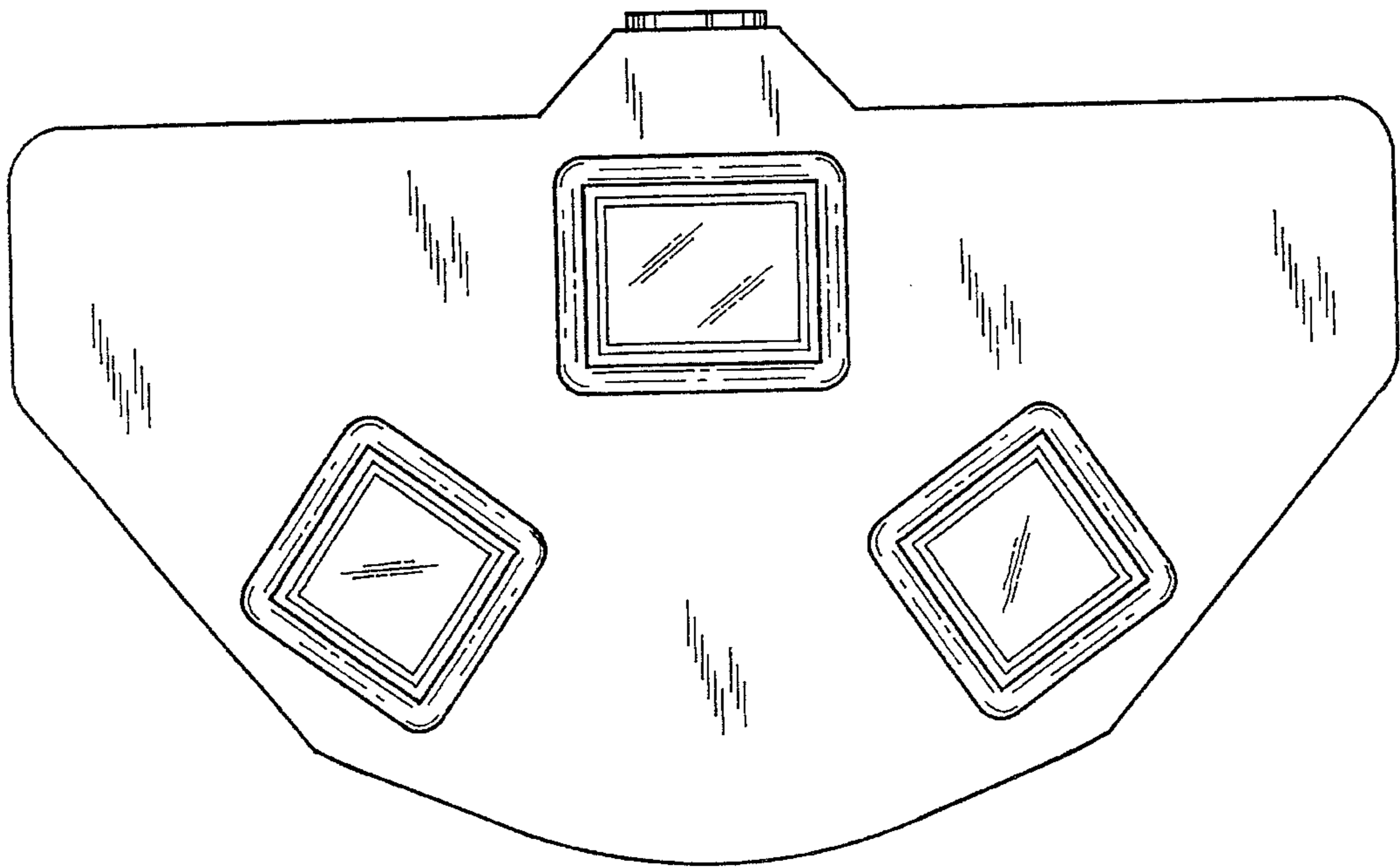


FIG-9

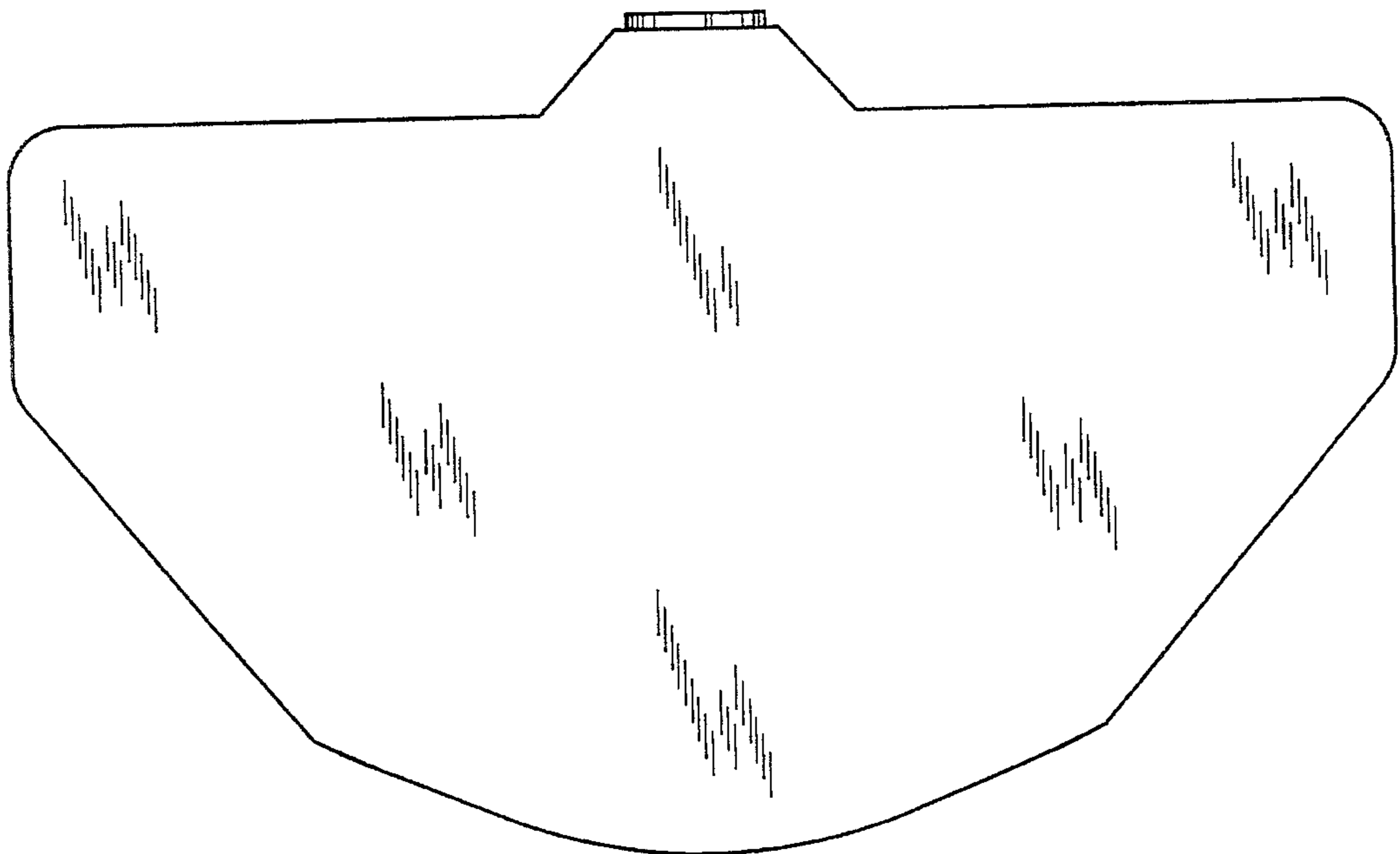


FIG-10

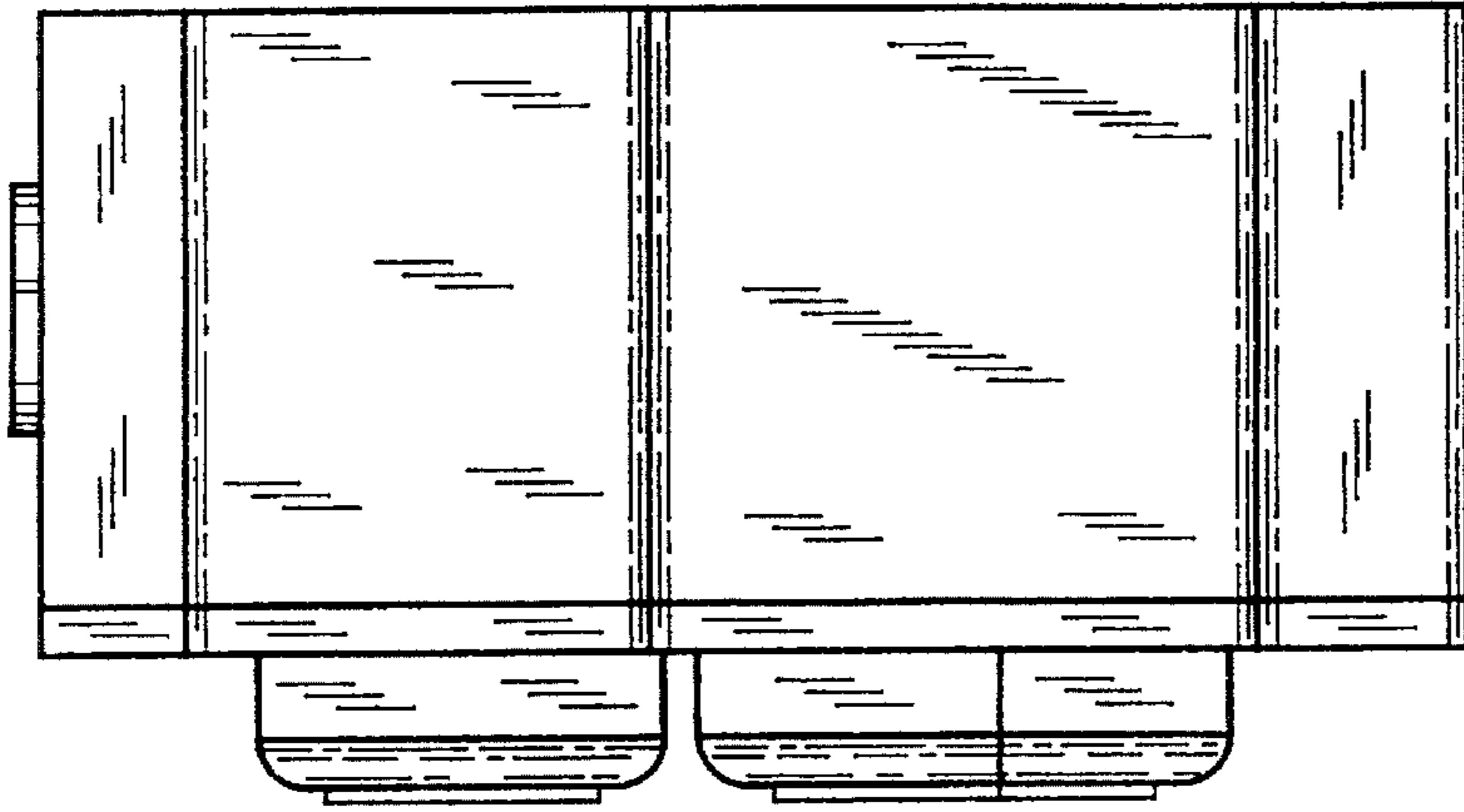


FIG-12

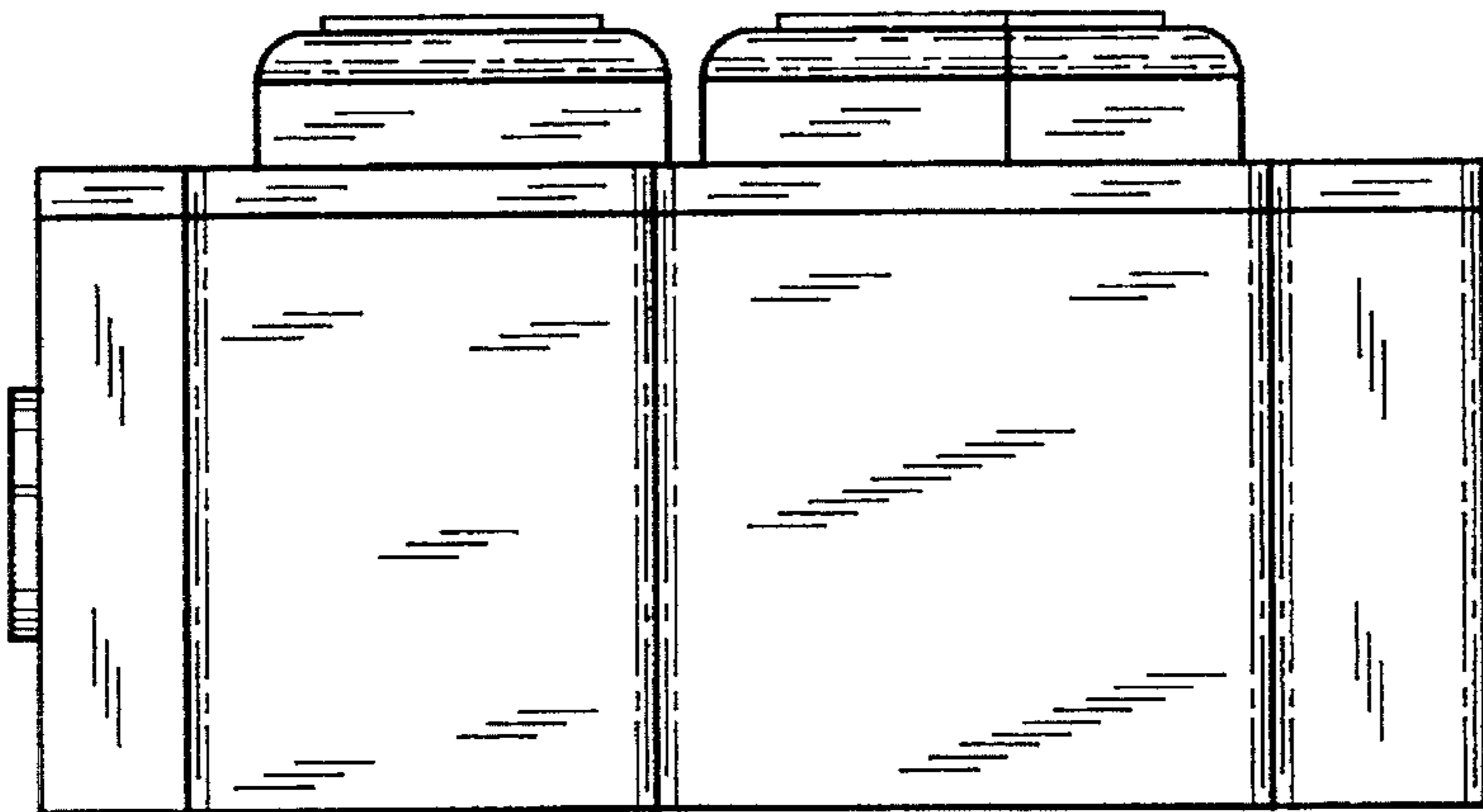


FIG-11

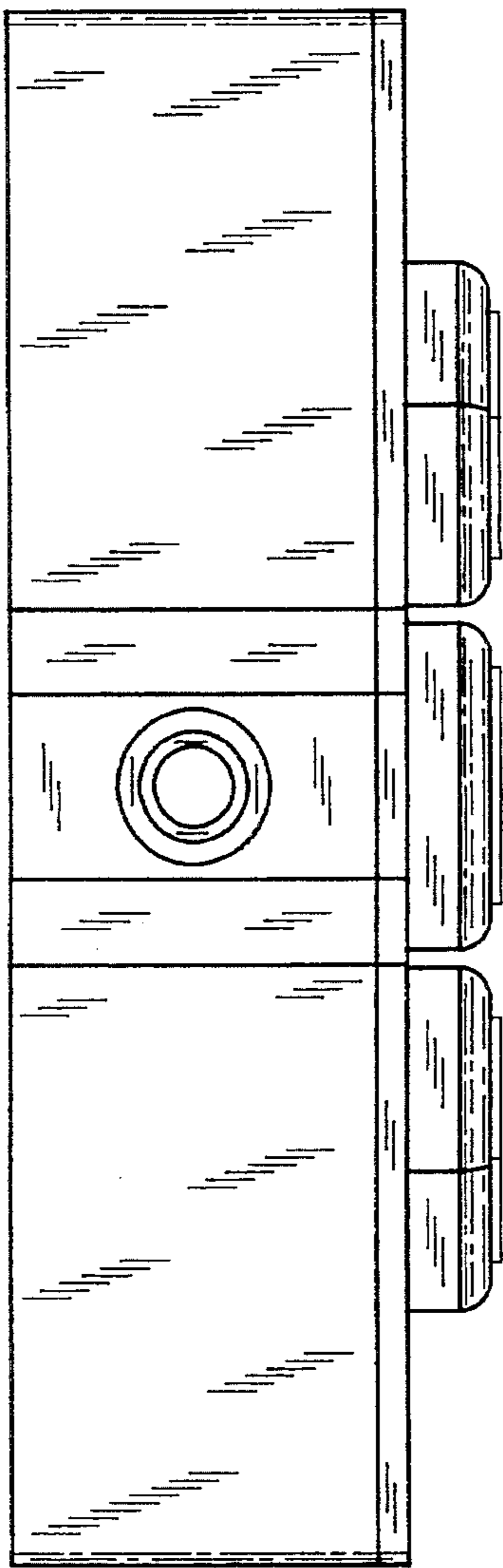


FIG-13

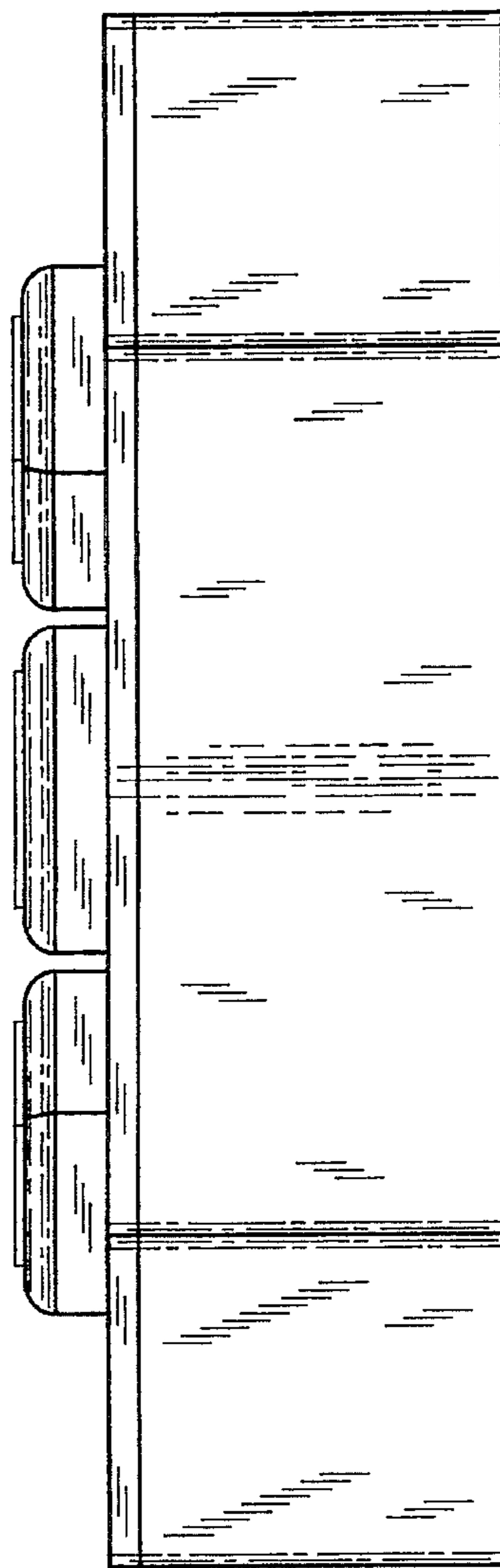


FIG-14