



US00D363954S

United States Patent [19]

Serrano

[11] Patent Number: **Des. 363,954**

[45] Date of Patent: ****Nov. 7, 1995**

[54] GAME BOARD

[76] Inventor: **Anthony B. Serrano**, 1924 Margaret St., San Jose, Calif. 95116

[**] Term: **14 Years**

[21] Appl. No.: **18,232**

[22] Filed: **Feb. 2, 1994**

[52] U.S. Cl. **D21/20**

[58] Field of Search D10/46.1; D21/14-36; 273/236, 285, 148 R, 148 A; 235/90

[56] References Cited

U.S. PATENT DOCUMENTS

D. 27,277	6/1897	Velsor	D21/14
D. 94,173	12/1934	Vogelleitner	D21/16
D. 202,201	9/1965	Hagin	D21/34
D. 227,281	6/1973	Meyer	D21/14
D. 247,724	4/1978	Breault	D10/46.1
D. 273,124	3/1984	Craft	D21/34
4,119,320	10/1978	Chorba et al.	273/241

OTHER PUBLICATIONS

World Wide Games Catalog, p. 10 "Peg Triangle Puzzle".

Primary Examiner—Sandra L. Morris
Attorney, Agent, or Firm—John J. Leavitt

[57] CLAIM

The ornamental design for game board, as shown and described.

DESCRIPTION

FIG. 1 is a perspective view of the game board, showing my new design, the broken line showing of the pegs is for illustrative purposes only, and form no part of the claimed design;

FIG. 2 is a top plan view thereof;

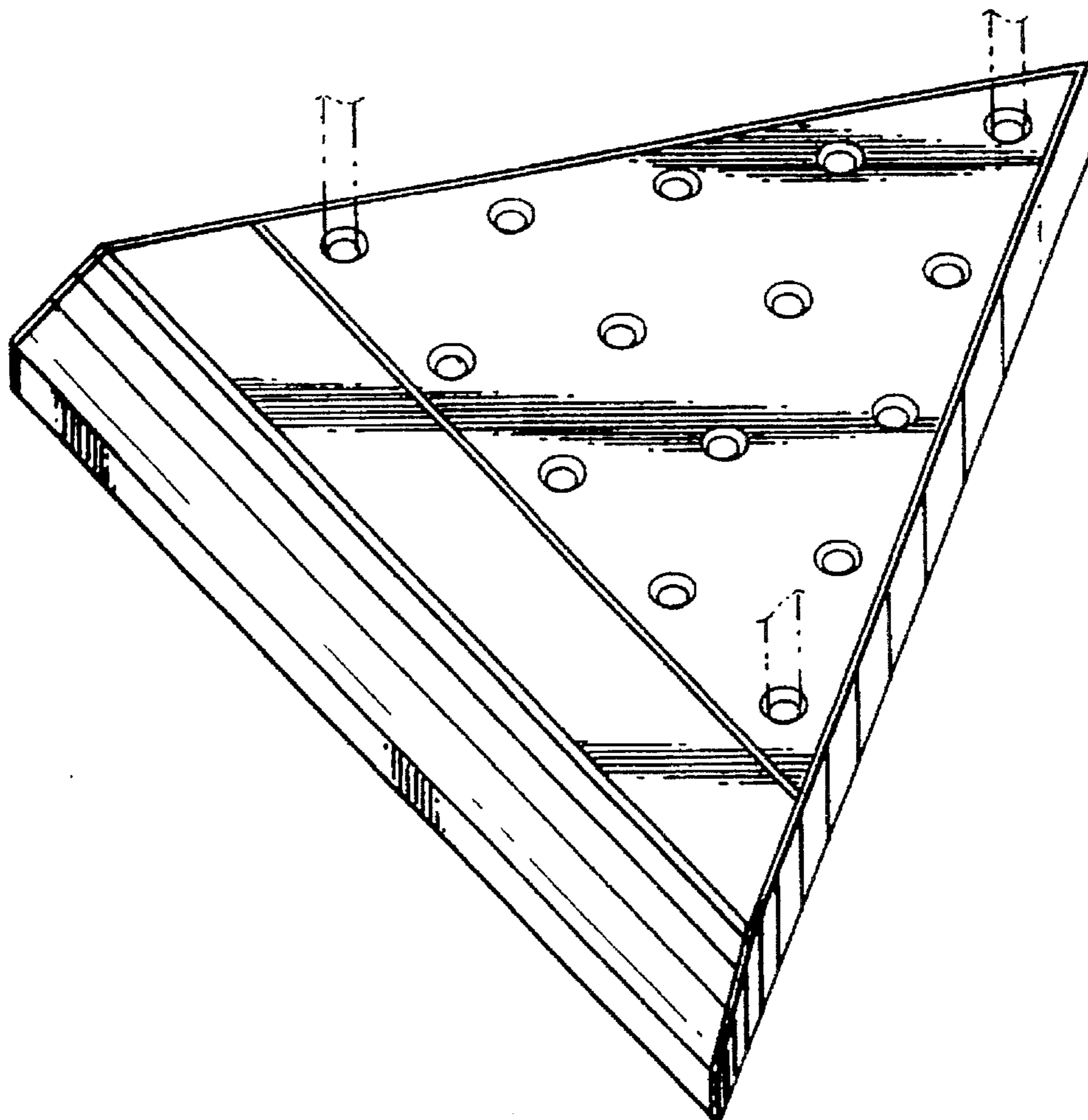
FIG. 3 is a left edge elevational view thereof;

FIG. 4 is a right edge elevational view thereof;

FIG. 5 is a bottom plan view thereof; and,

FIG. 6 is a front edge elevational view thereof.

1 Claim, 1 Drawing Sheet



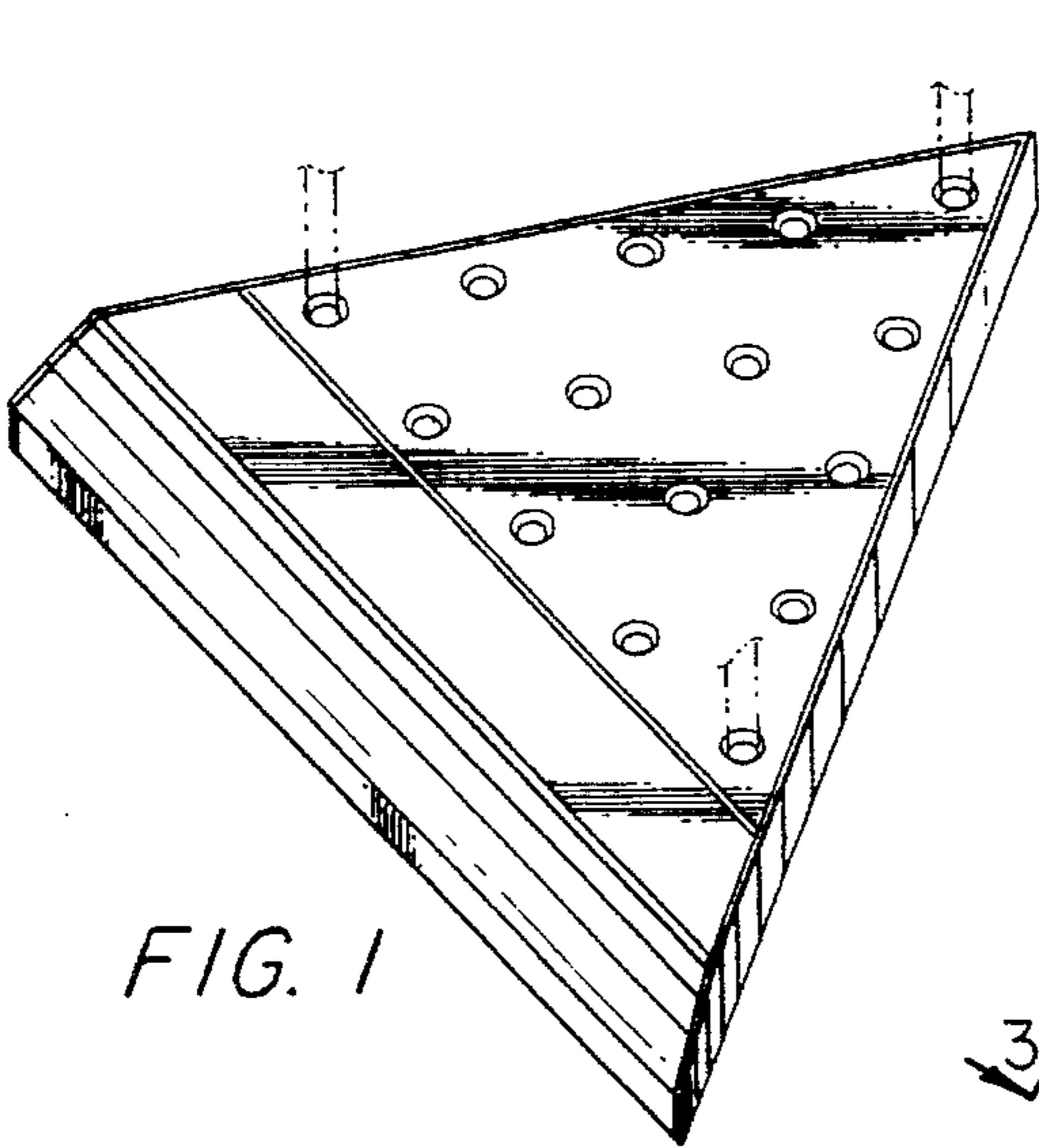


FIG. 1

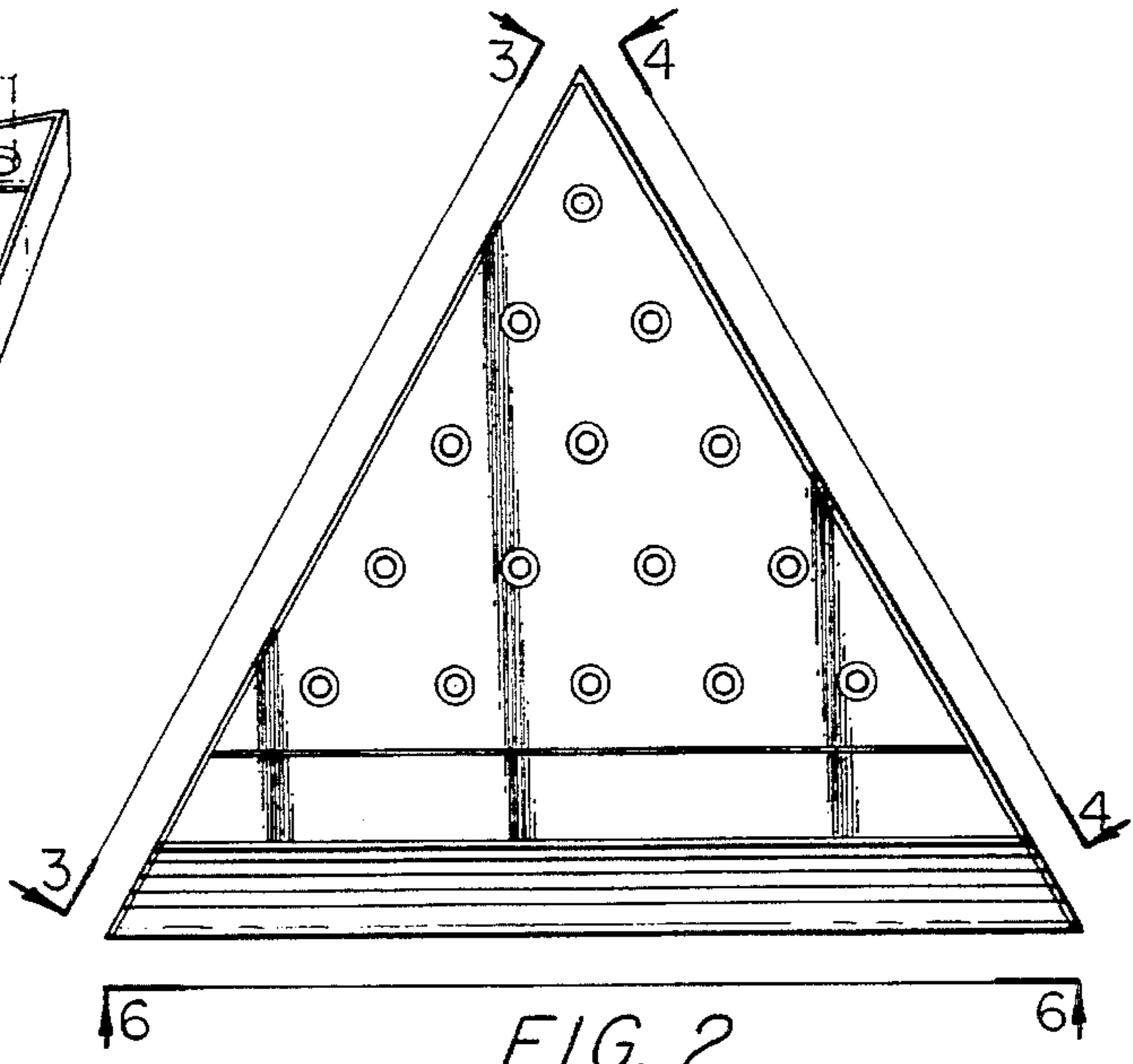


FIG. 2

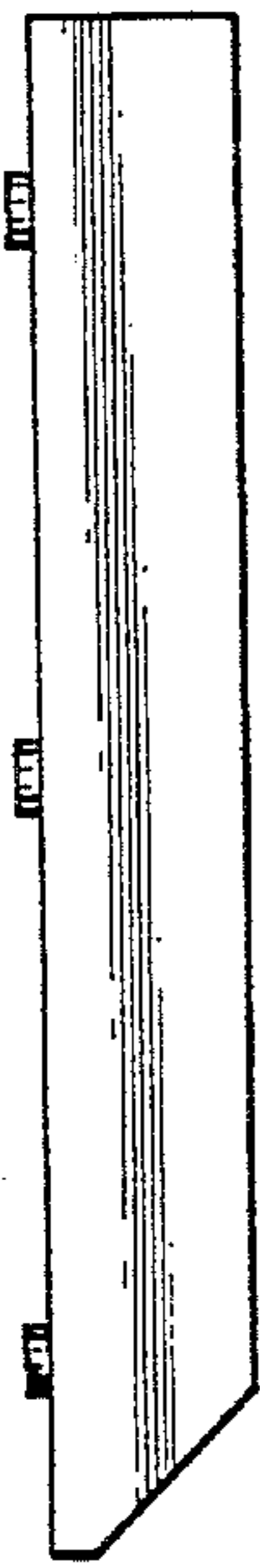


FIG. 3

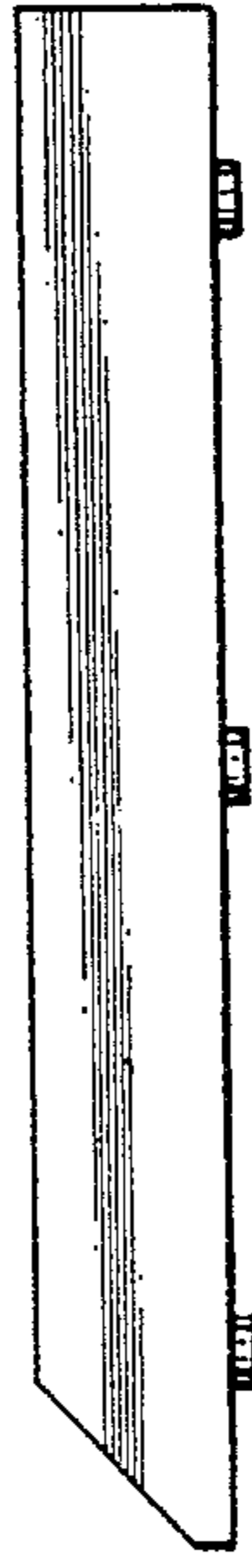


FIG. 4

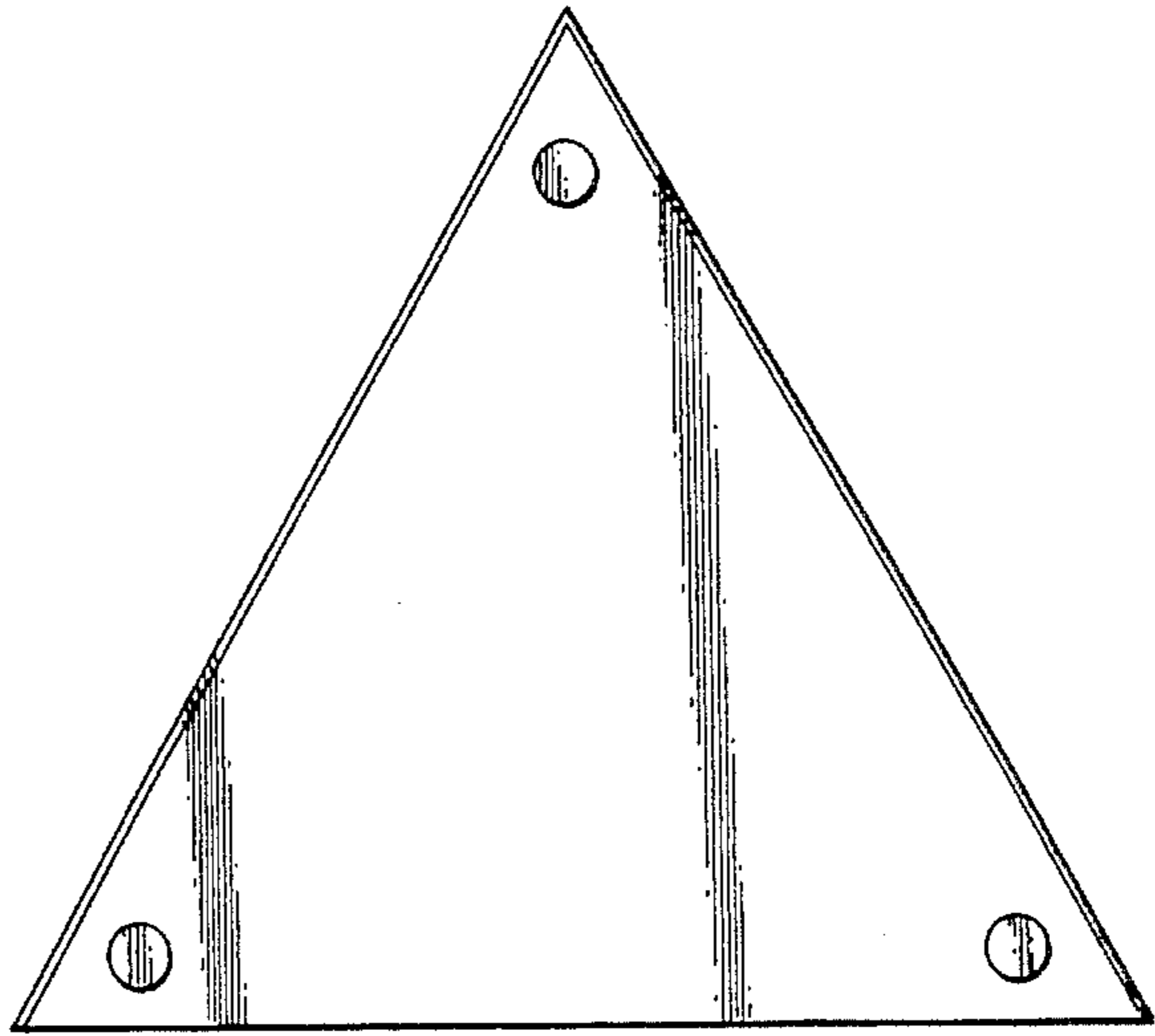


FIG. 5

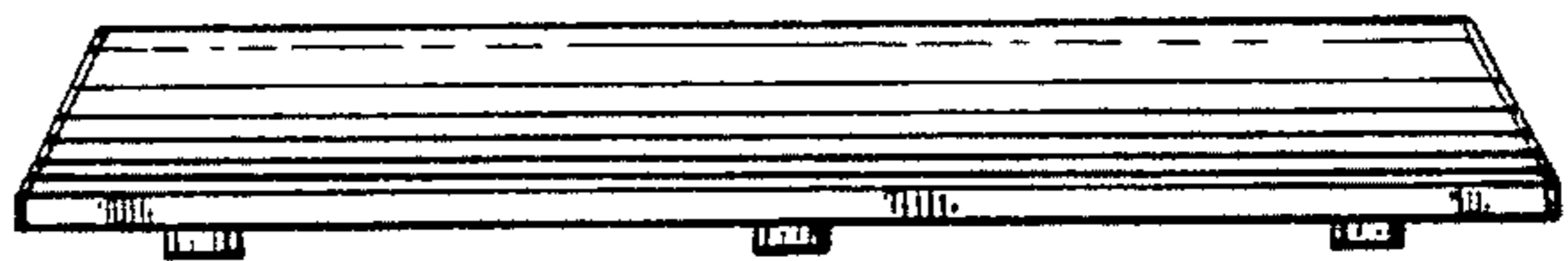


FIG. 6