



US00D363951S

**United States Patent** [19]  
**Chatman**

[11] **Patent Number: Des. 363,951**

[45] **Date of Patent: \*\*Nov. 7, 1995**

[54] **COMBINED CUSHION, SIGN AND SIGN HOLDER**

[76] Inventor: **Dean A. Chatman**, 5923 Hersholt St., Lakewood, Calif. 90712

[\*\*] Term: **14 Years**

[21] Appl. No.: **18,384**

[22] Filed: **Feb. 4, 1994**

[52] U.S. Cl. .... **D20/42; D6/334**

[58] **Field of Search** ..... D20/10, 18, 19, D20/39, 40, 41, 42; 40/1, 299, 584, 591, 592, 593, 617, 618, 624, 124; D6/329, 342, 334, 406, 356, 351, 596, 597

[56] **References Cited**

**U.S. PATENT DOCUMENTS**

D. 293,286	12/1987	Alfer	.....	D6/334
D. 335,035	4/1993	Floyd	.....	D6/334
D. 336,932	6/1993	Davis et al.	.....	D20/42
2,963,805	12/1960	Sterry	.....	40/299
4,607,444	8/1986	Foster	.....	40/591
4,637,151	1/1987	Love et al.	.....	40/584

*Primary Examiner*—A. Hugo Word  
*Assistant Examiner*—Marcus Jackson  
*Attorney, Agent, or Firm*—Robbins, Berliner & Carson

[57] **CLAIM**

The ornamental design for a combined cushion, sign and sign holder, as shown and described.

**DESCRIPTION**

FIG. 1 is a perspective view of a combined cushion, sign and sign holder showing my new design, with the broken line showing for illustrative purposes only and forming no part of the claimed design;

FIG. 2 is a side elevational view thereof;

FIG. 3 is a top plan view thereof;

FIG. 4 is a front elevational view thereof;

FIG. 5 is a rear elevational view thereof;

FIG. 6 is a bottom plan view thereof;

FIG. 7 is a front elevational view thereof, with the sign portion shown separately for clarity of illustration only;

FIG. 8 is a side elevational view thereof, with the opposite side being a mirror image; and,

FIG. 9 is an exploded perspective view thereof.

**1 Claim, 3 Drawing Sheets**

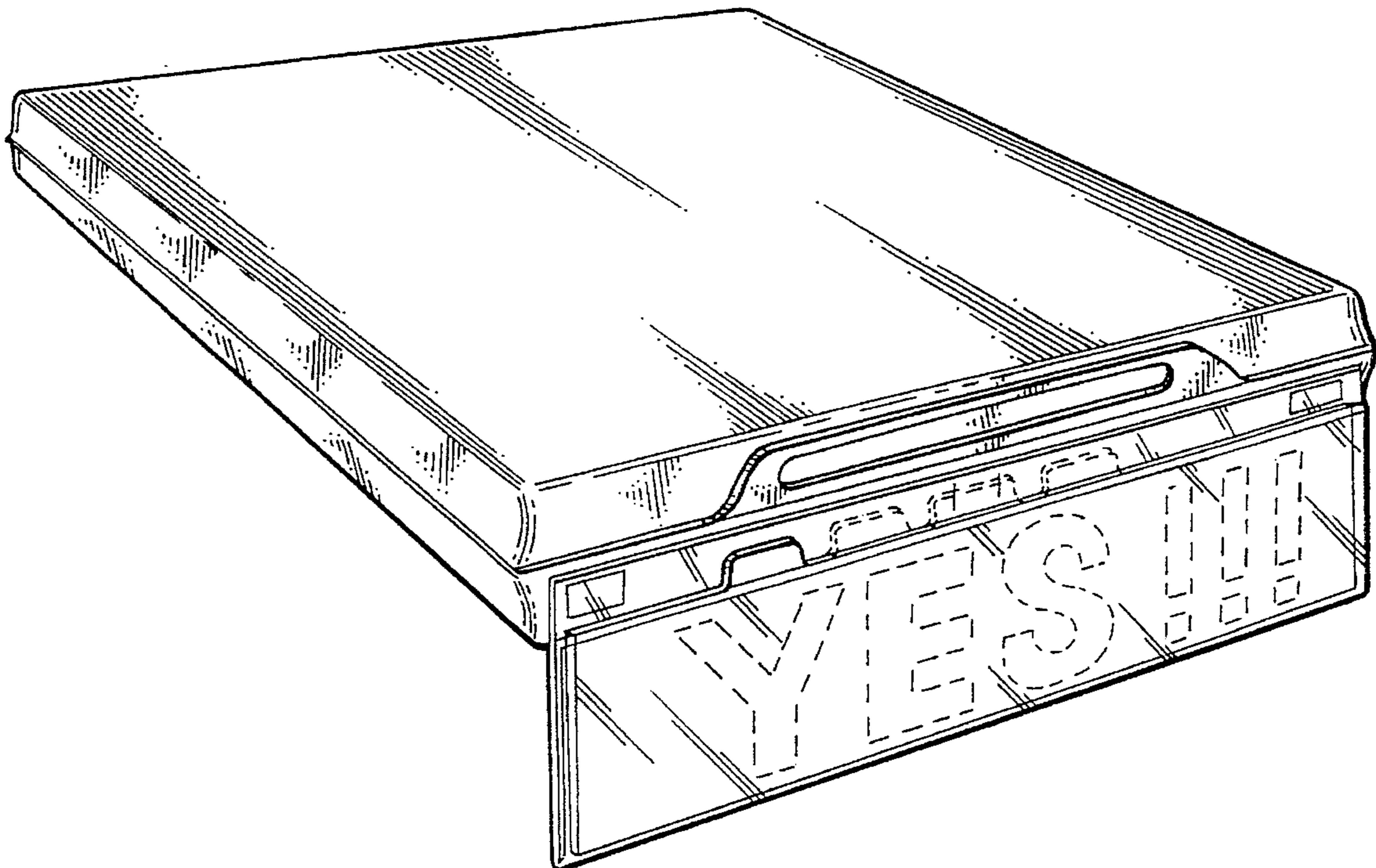


FIG. 1

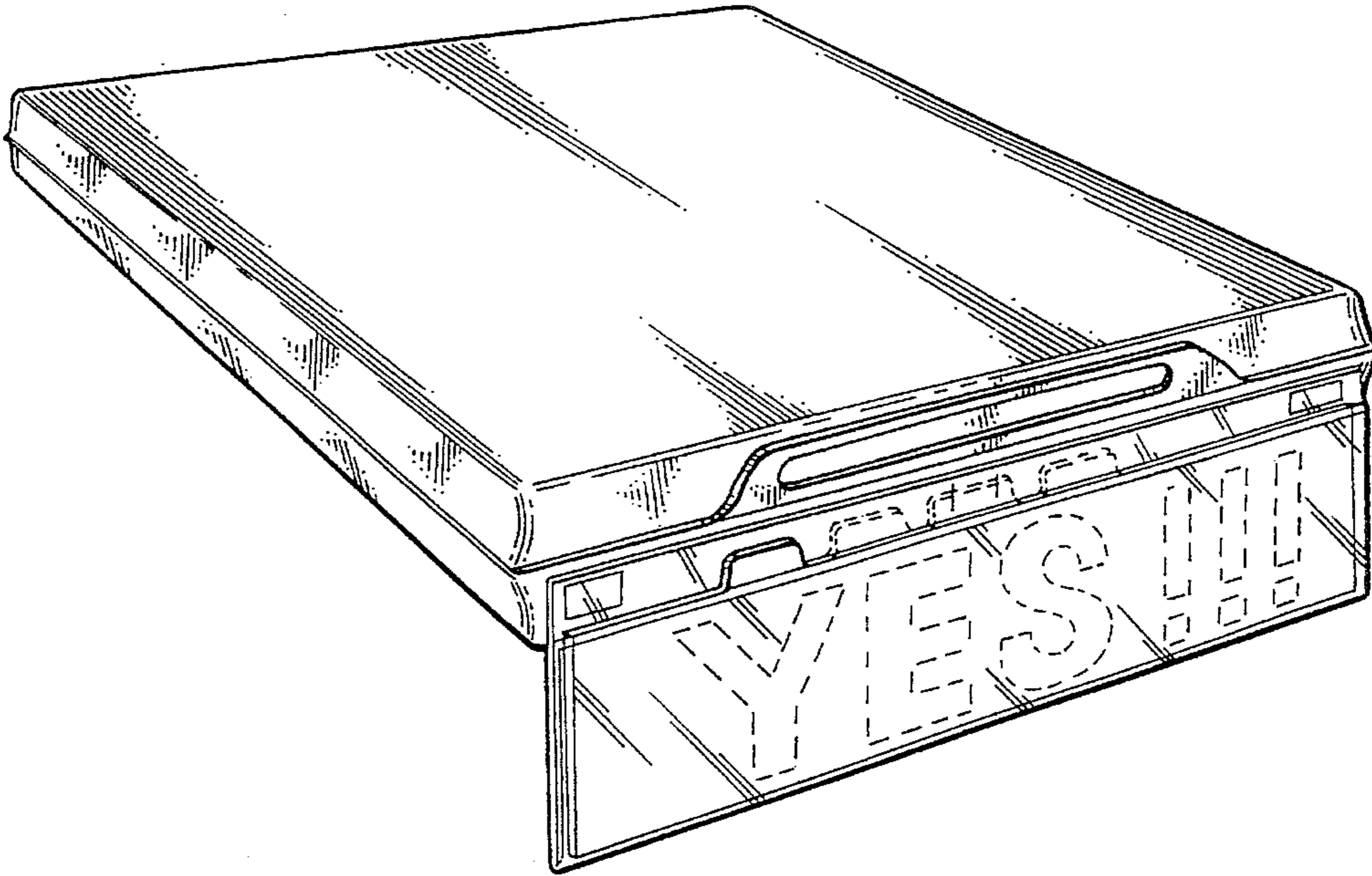


FIG. 2

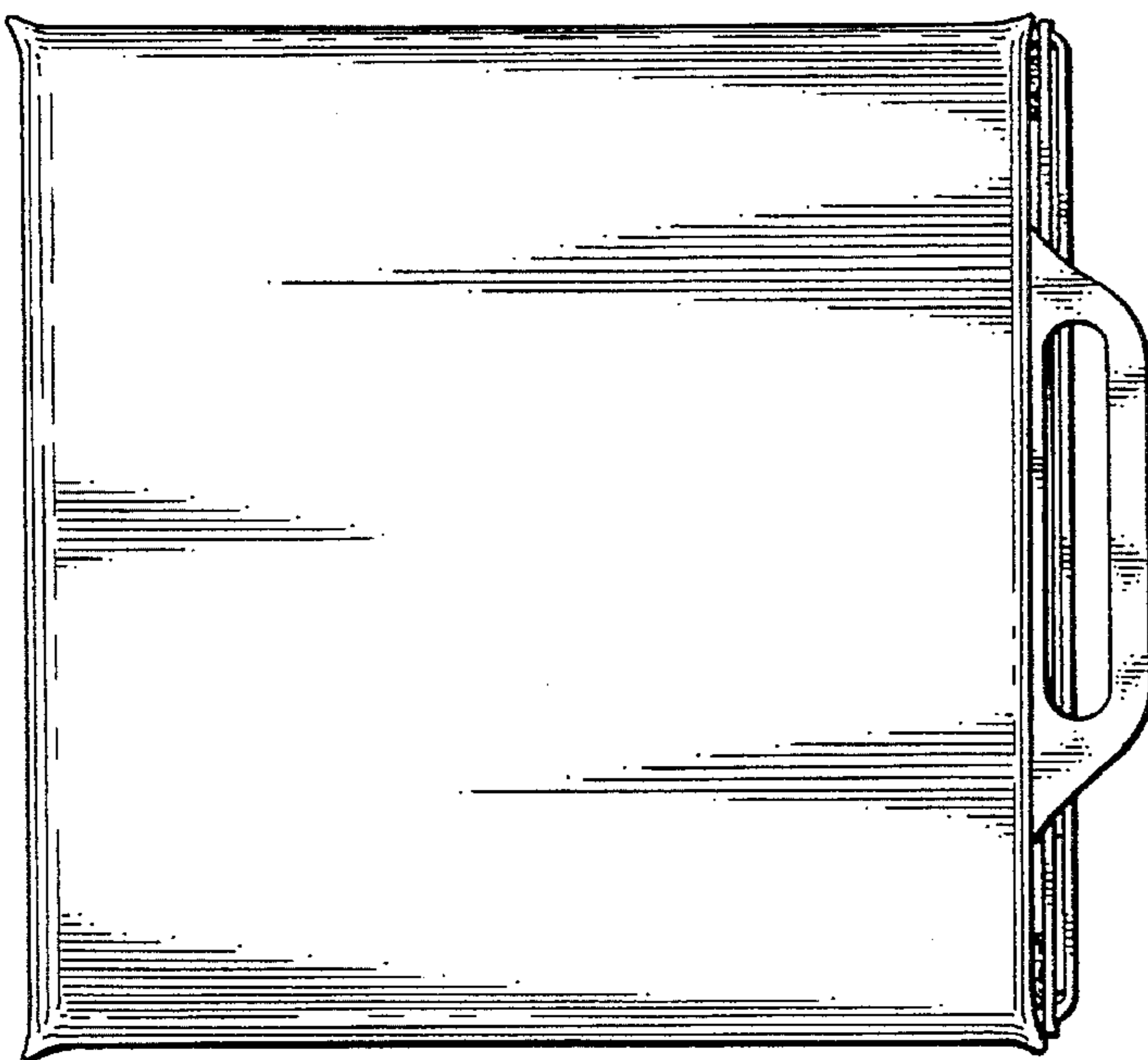
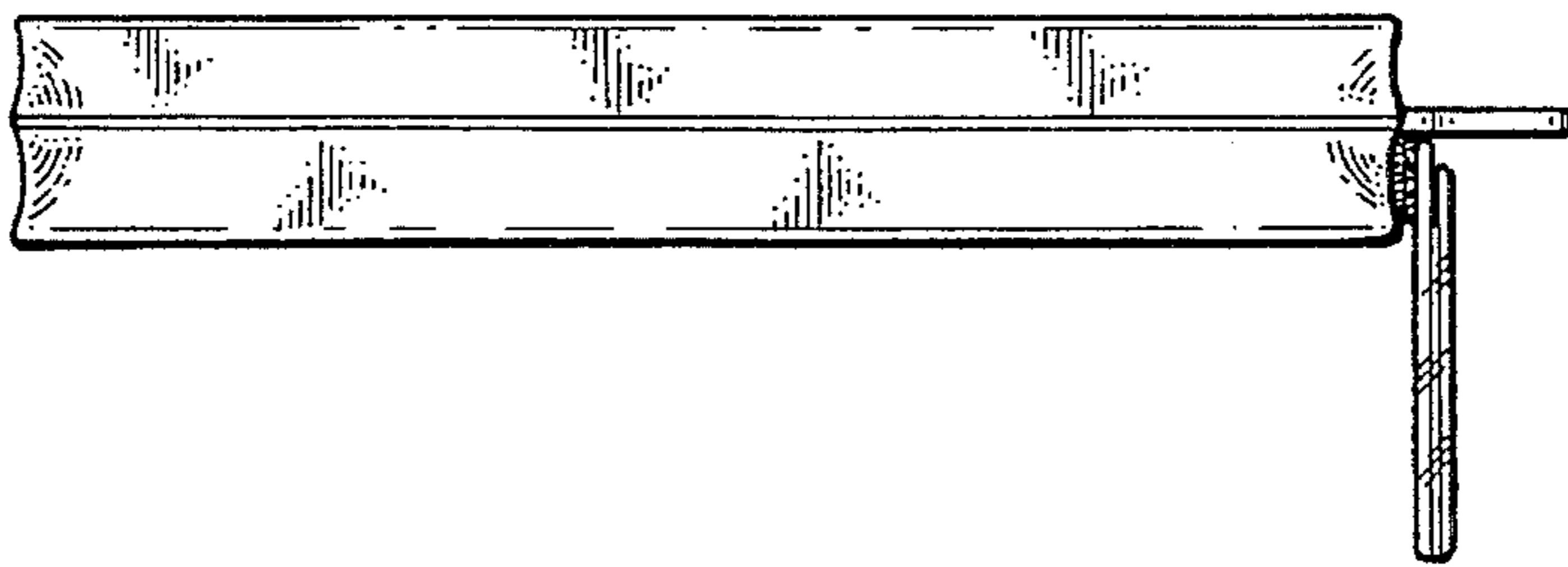


FIG. 3

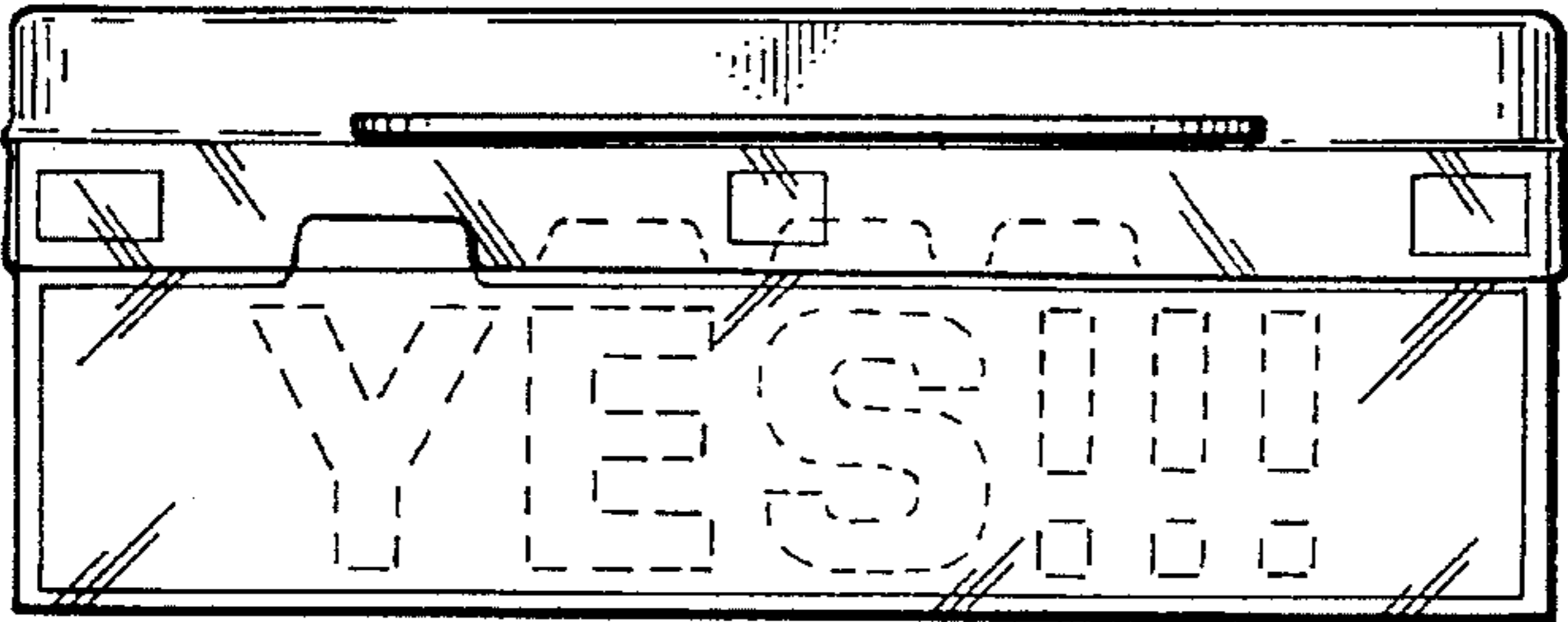


FIG. 4

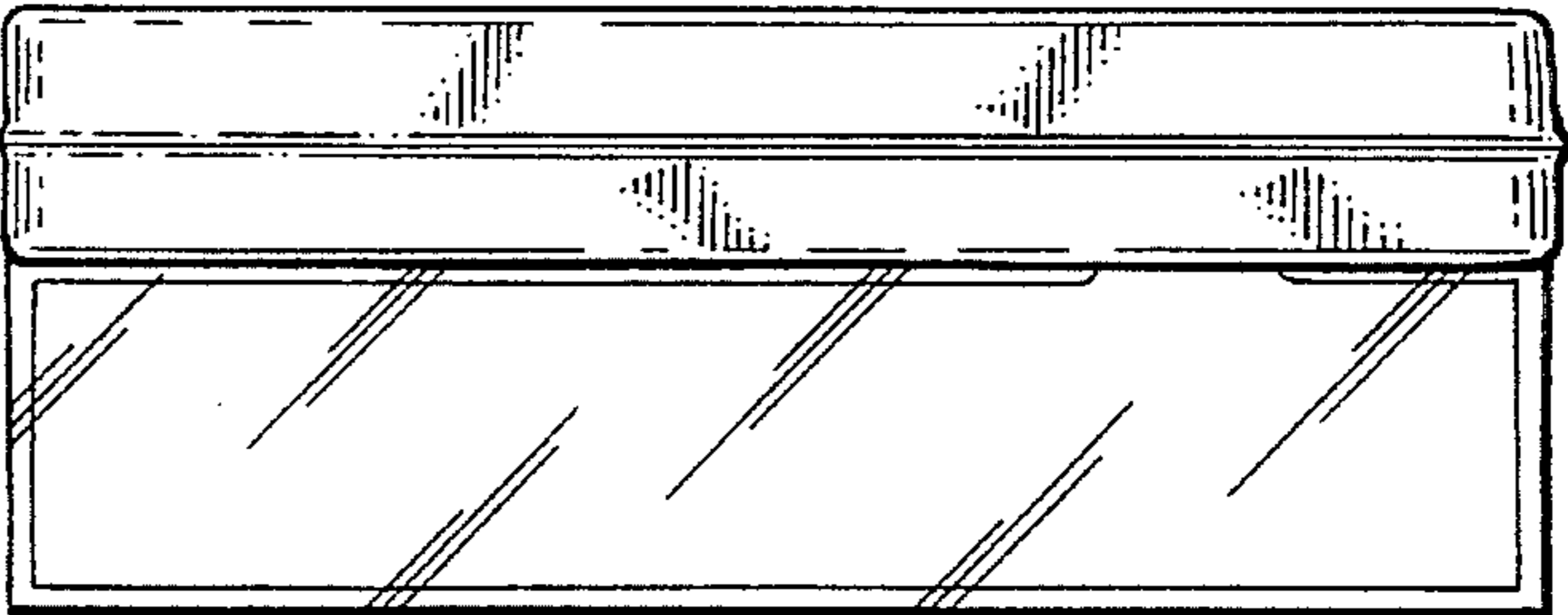


FIG. 5

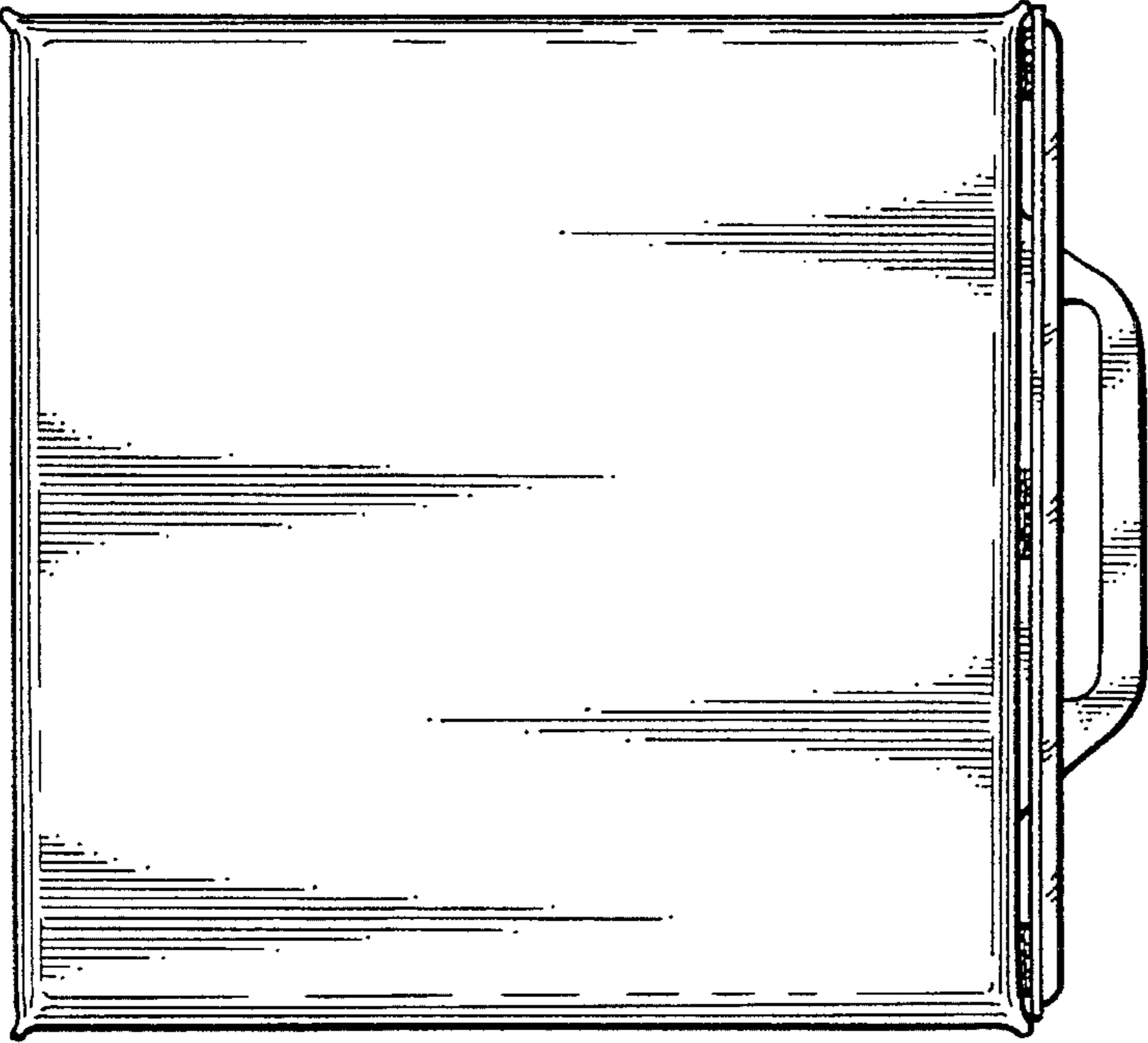


FIG. 6

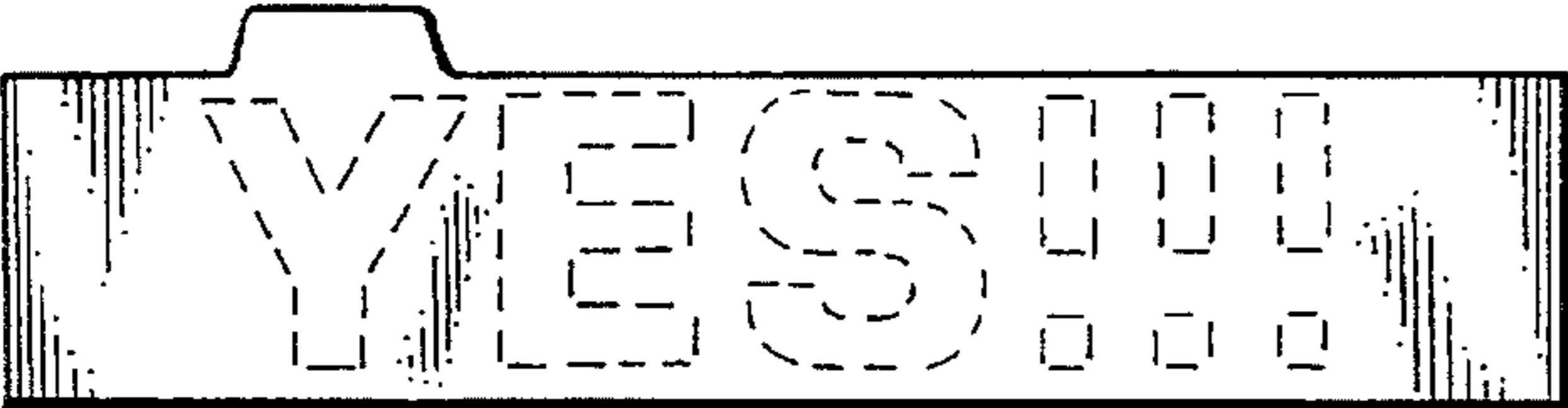


FIG. 7

FIG. 8



