



US00D363947S

United States Patent [19] Kimura

[11] **Patent Number:** **Des. 363,947**
[45] **Date of Patent:** ****Nov. 7, 1995**

[54] **PLURAL-NIBBED WRITING INSTRUMENT**

[75] Inventor: **Shigeru Kimura**, Tokyo, Japan

[73] Assignee: **Tombow Pencil Co., Ltd.**, Tokyo, Japan

[**] Term: **14 Years**

[21] Appl. No.: **30,902**

[22] Filed: **Nov. 14, 1994**

[52] U.S. Cl. **D19/36; D19/51; D19/56; D19/57; D19/43**

[58] **Field of Search** **D19/35, 36, 41-51, D19/54-58, 81-85; 401/52, 195, 29-34, 18, 17, 19, 23**

[56] **References Cited**

U.S. PATENT DOCUMENTS

D. 191,077	8/1961	Lovejoy	D19/56
D. 279,992	8/1985	Gribb	D19/36 X
D. 289,424	4/1987	Huang	D19/36
D. 306,316	2/1990	Shintani	D19/43
D. 313,245	12/1990	Iwase	D19/43

D. 355,933	2/1995	Collins	D19/36
4,557,618	12/1985	Iwata et al.	401/34
4,600,327	7/1986	Guzman	401/18
5,338,123	8/1994	Obersteller et al.	401/34

Primary Examiner—Martie Thompson
Attorney, Agent, or Firm—Baker, Donelson, Bearman & Caldwell

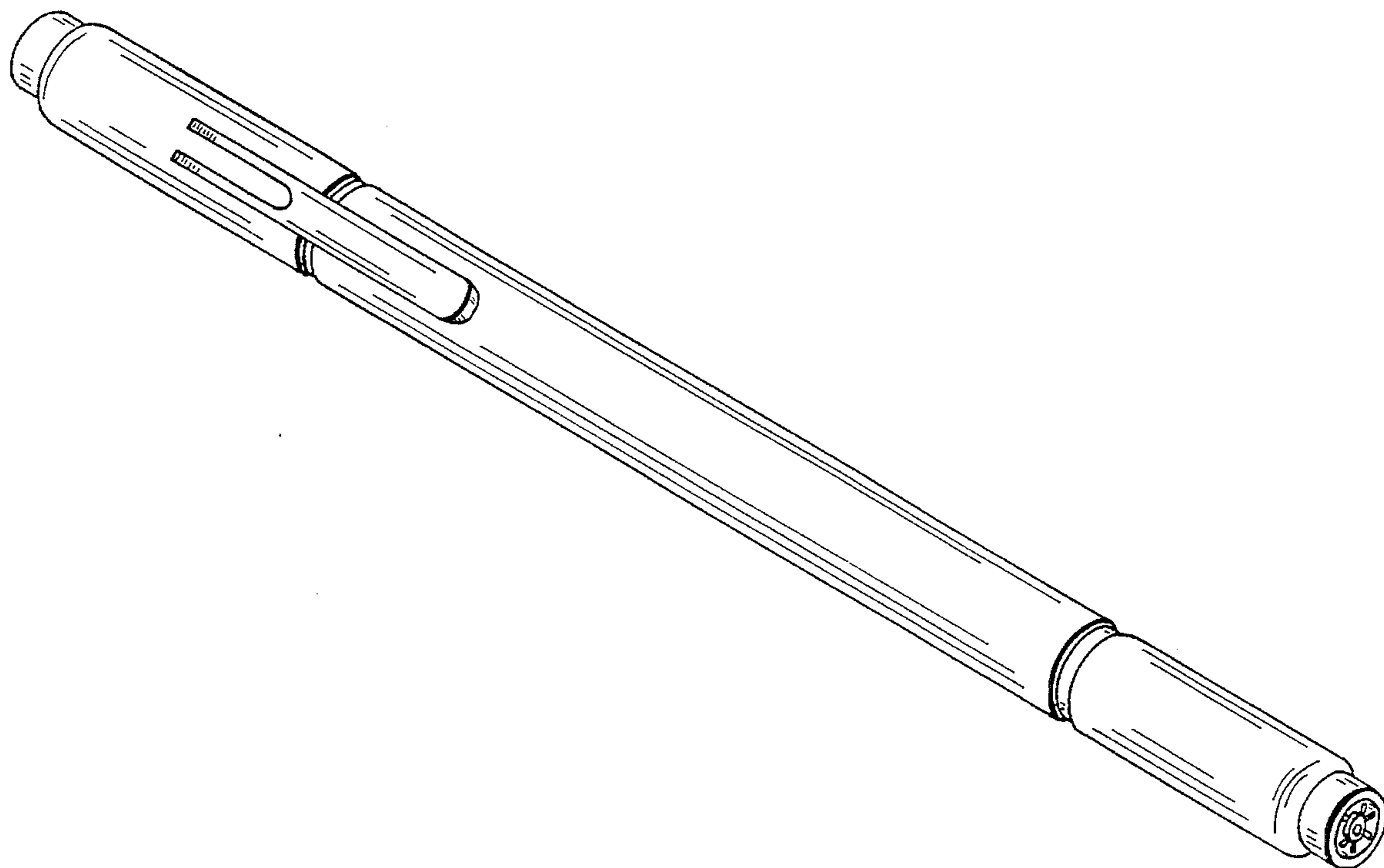
[57] **CLAIM**

The ornamental design for a plural-nibbed writing instrument, as shown and described.

DESCRIPTION

FIG. 1 is a front, bottom perspective view of a plural-nibbed writing instrument showing my new design; FIG. 2 is a front, elevational view thereof; FIG. 3 is a left side elevational view thereof; FIG. 4 is a right side elevational view thereof; FIG. 5 is a rear elevational view thereof; FIG. 6 is a top plan view thereof; FIG. 7 is a bottom plan view thereof; and, FIG. 8 is an exploded front elevational view thereof.

1 Claim, 2 Drawing Sheets



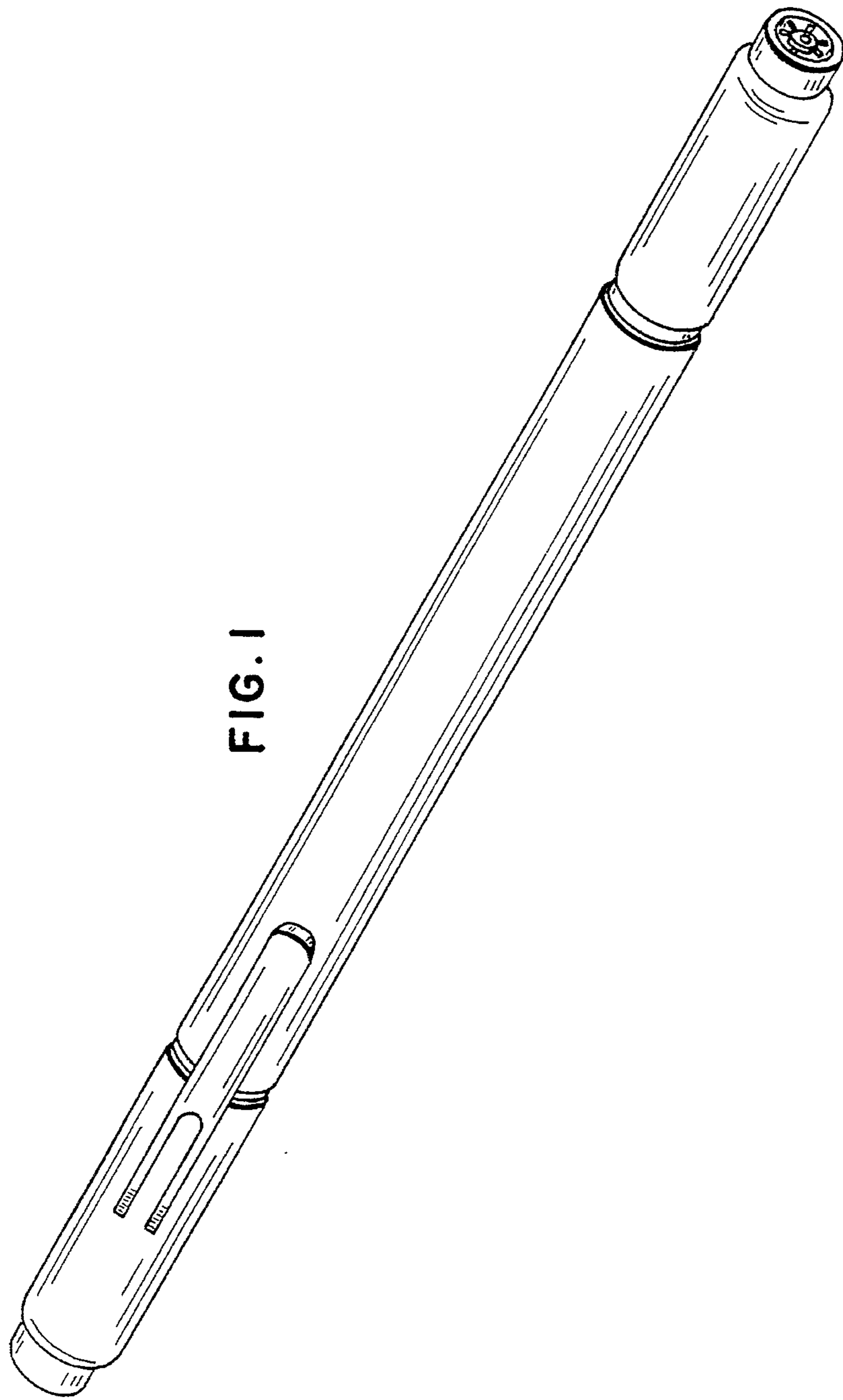


FIG. 2

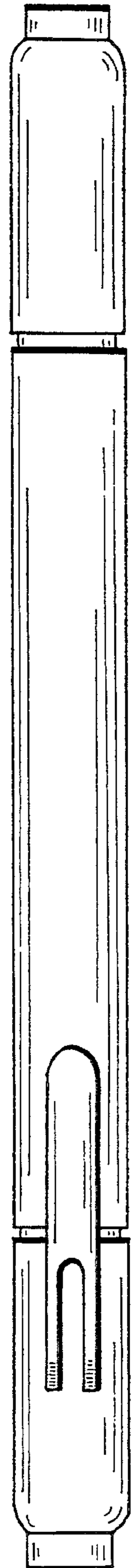


FIG. 3

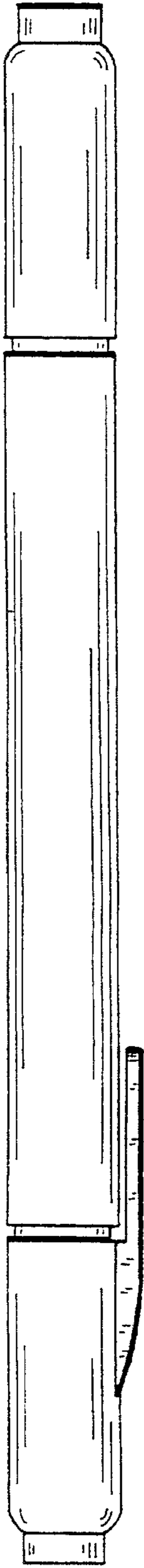


FIG. 4

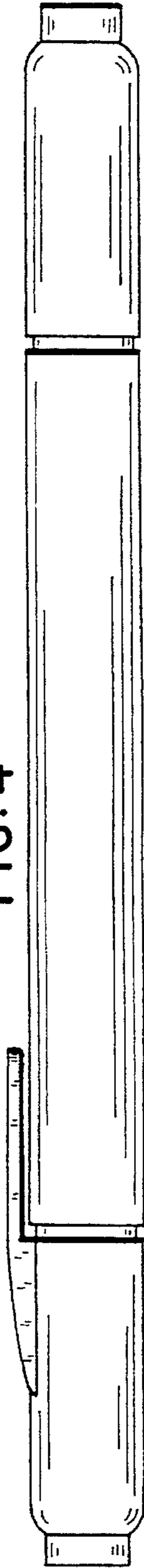


FIG. 5

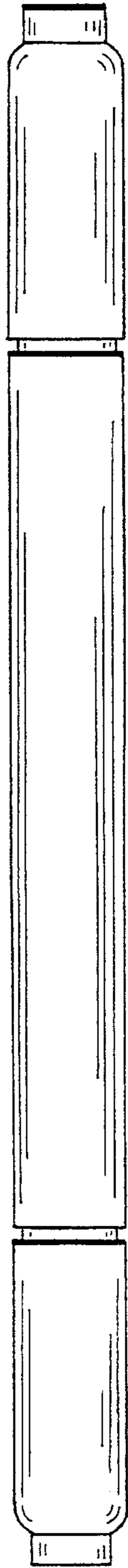


FIG. 6

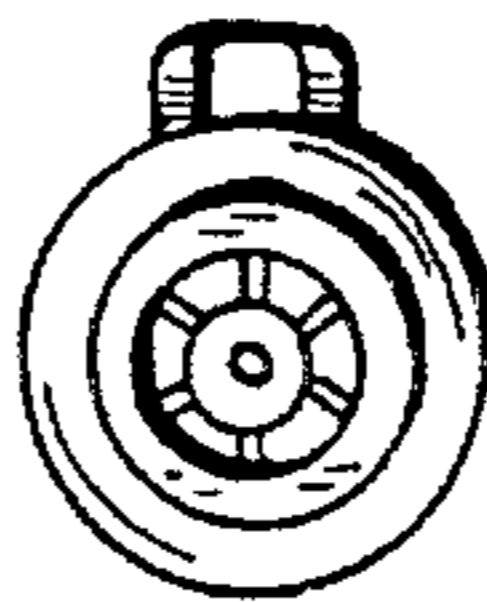


FIG. 7

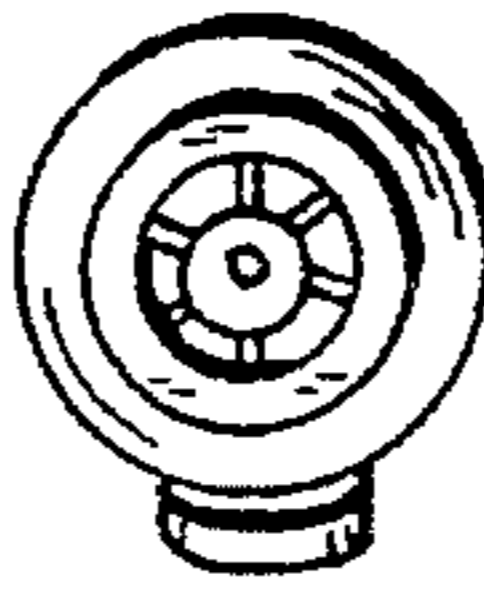


FIG. 8

