



US00D363945S

United States Patent [19]

LaBree

[11] Patent Number: **Des. 363,945**

[45] Date of Patent: ****Nov. 7, 1995**

[54] **CAMERA SUPPORT FOR ATTACHMENT TO A TREE OR POST**

5,275,364 1/1994 Burger et al. 354/293 X

[76] Inventor: **Michael A. LaBree**, 13 Beard Rd., Hillsboro, N.H. 03244

Primary Examiner—A. Hugo Word
Assistant Examiner—Holly H. Baynham

[**] Term: **14 Years**

[57] **CLAIM**

[21] Appl. No.: **20,745**

The ornamental design for a camera support for attachment to a tree or post, as shown and described.

[22] Filed: **Mar. 31, 1994**

DESCRIPTION

[52] U.S. Cl. **D16/242; D16/244**

FIG. 1 is a front elevational view of the camera support for attachment to a tree and post showing my new design, with the broken line showing of a camera for illustrative purposes only which forms no part of the claimed design, and with the strap shown broken away in FIGS. 1 and 2 for ease of illustration.

[58] **Field of Search** D8/1, 373, 363, D8/355; 47/42-43; 248/538, 176, 123.1, 183, 185, 187, 271, 278-279; D6/429; 354/81, 293; 352/243; D16/242, 244

[56] **References Cited**

FIG. 2 is a rear elevational view thereof;
FIG. 3 is a left side elevational view thereof;
FIG. 4 is a right side elevational view thereof;
FIG. 5 is a top plan view thereof;
FIG. 6 is a bottom plan view thereof; and,
FIG. 7 is a perspective illustration thereof.

U.S. PATENT DOCUMENTS

D. 315,092	3/1991	Brown	D8/373
D. 329,449	9/1992	Brown et al.	D16/242
D. 347,160	5/1994	Hallgren	D8/355
3,358,957	5/1965	Lindenmuth	5/503.1 X
5,243,370	9/1993	Slater	354/293 X

1 Claim, 4 Drawing Sheets

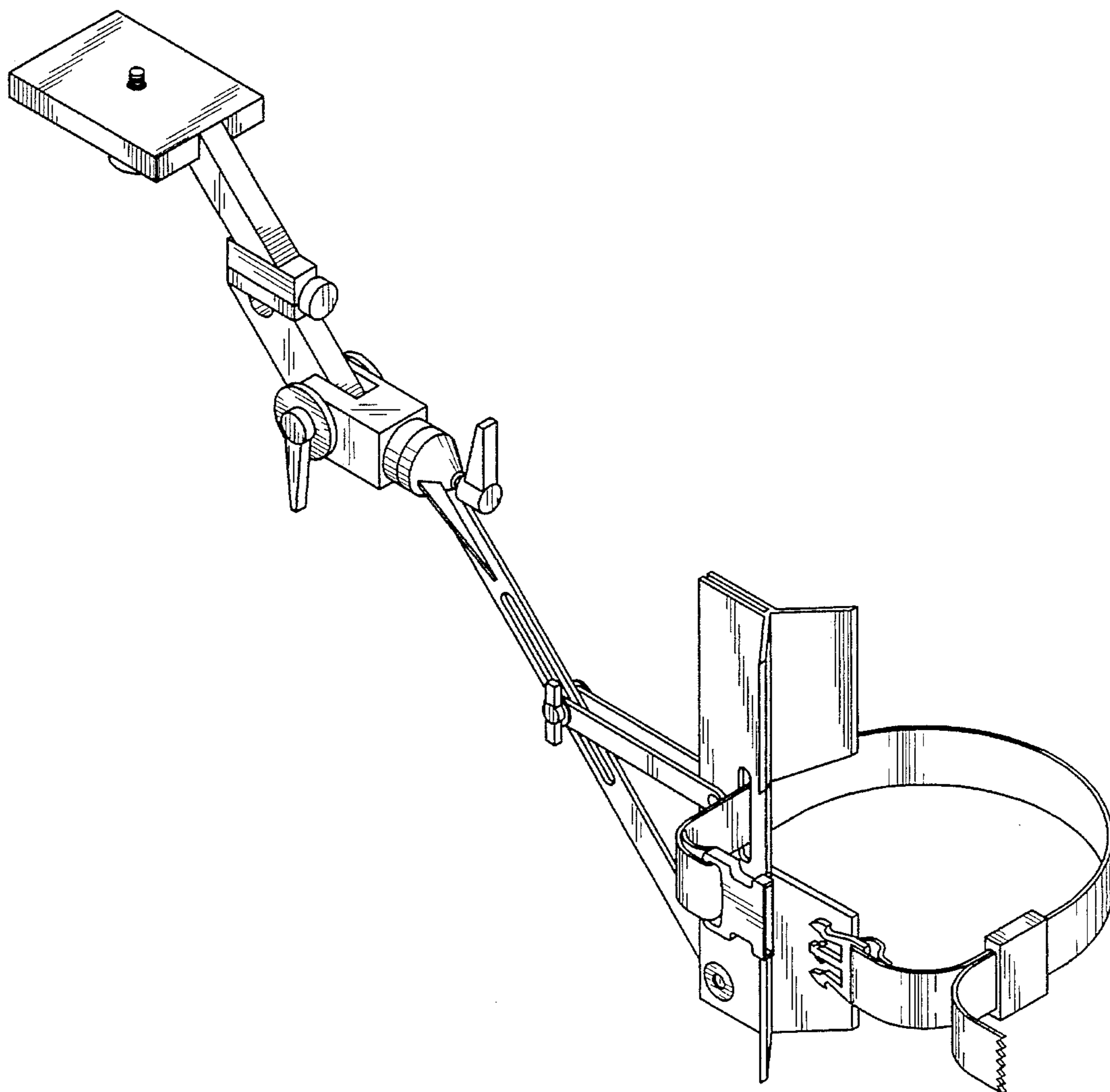


FIG. 1

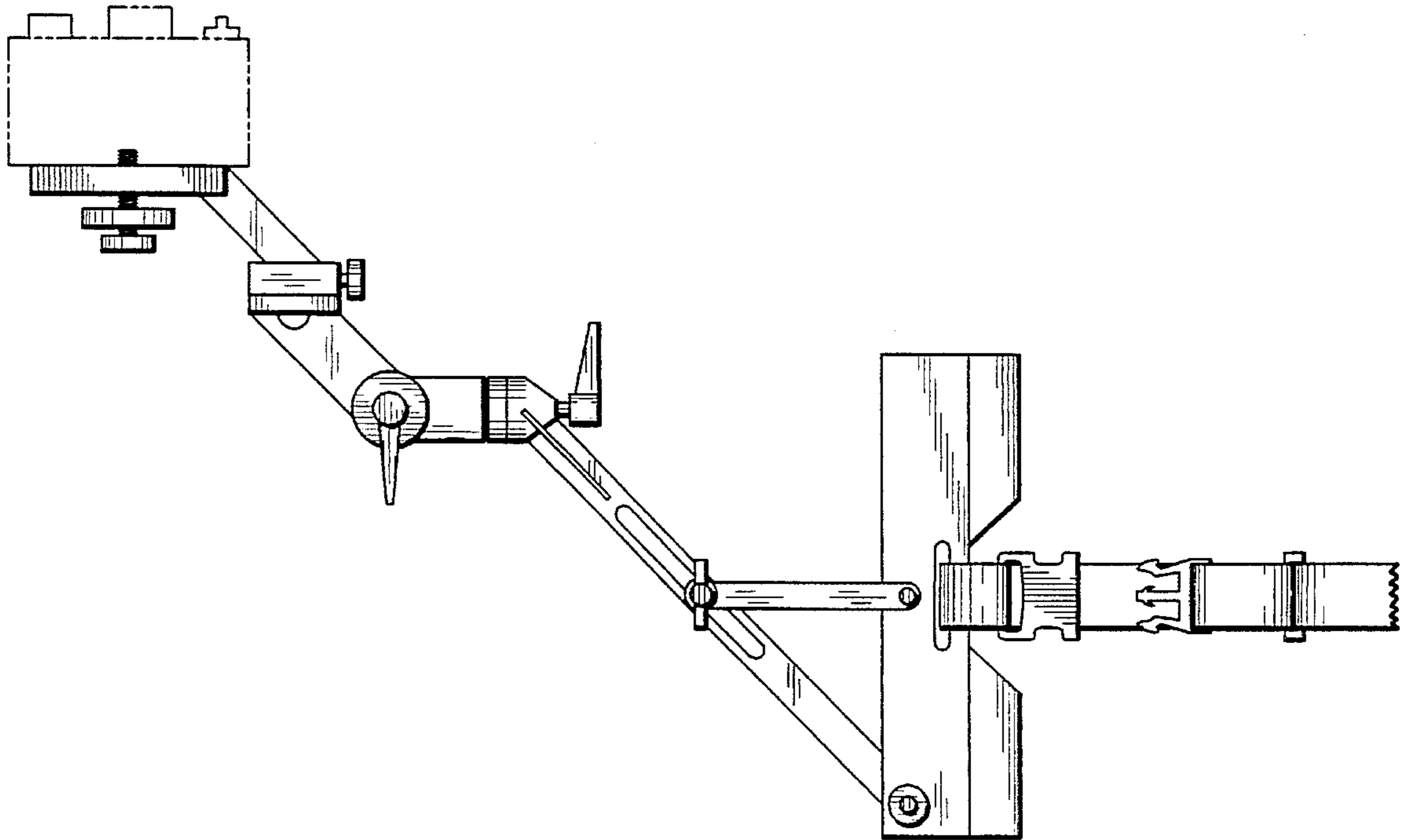


FIG. 2

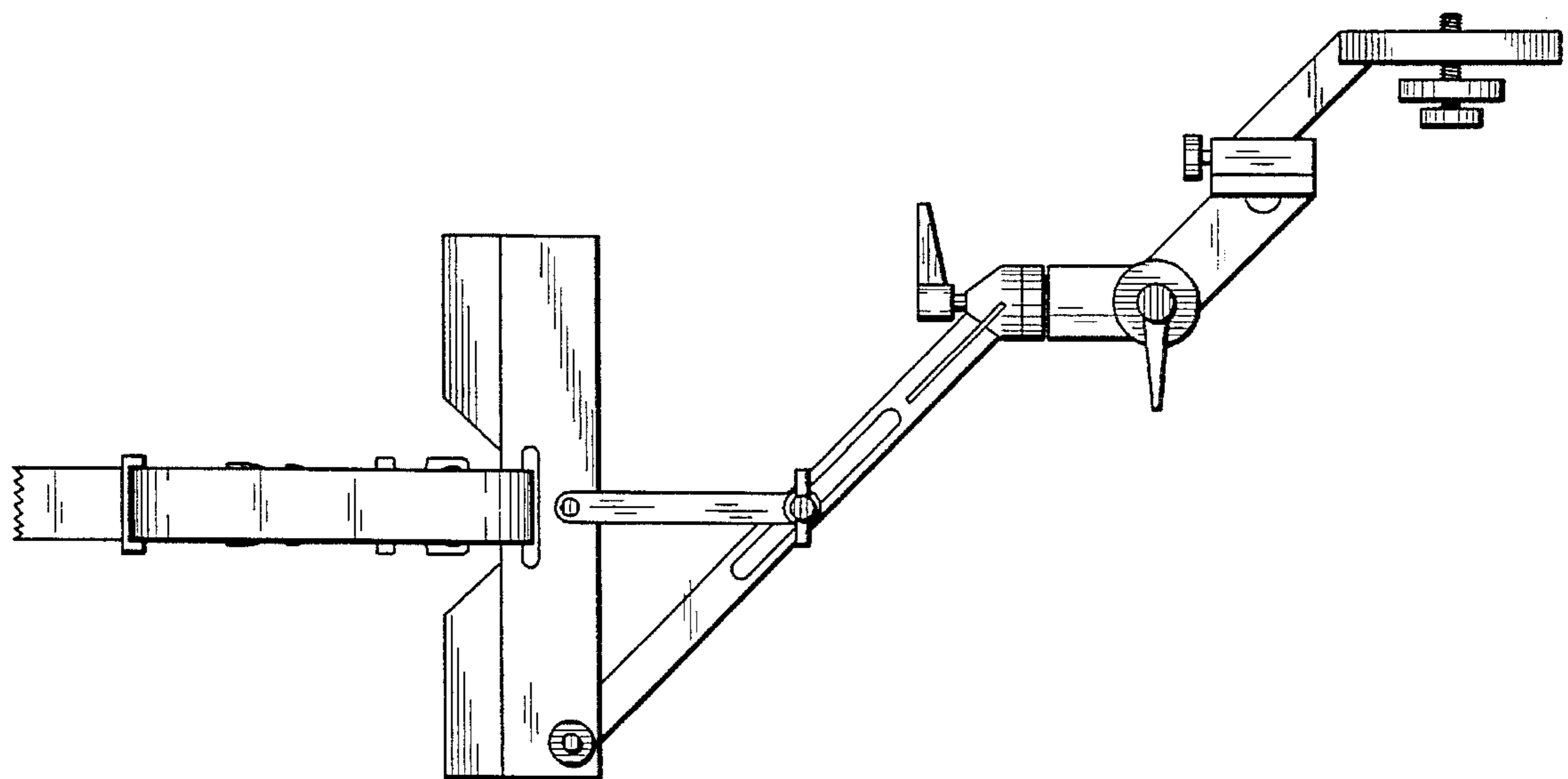


FIG. 3

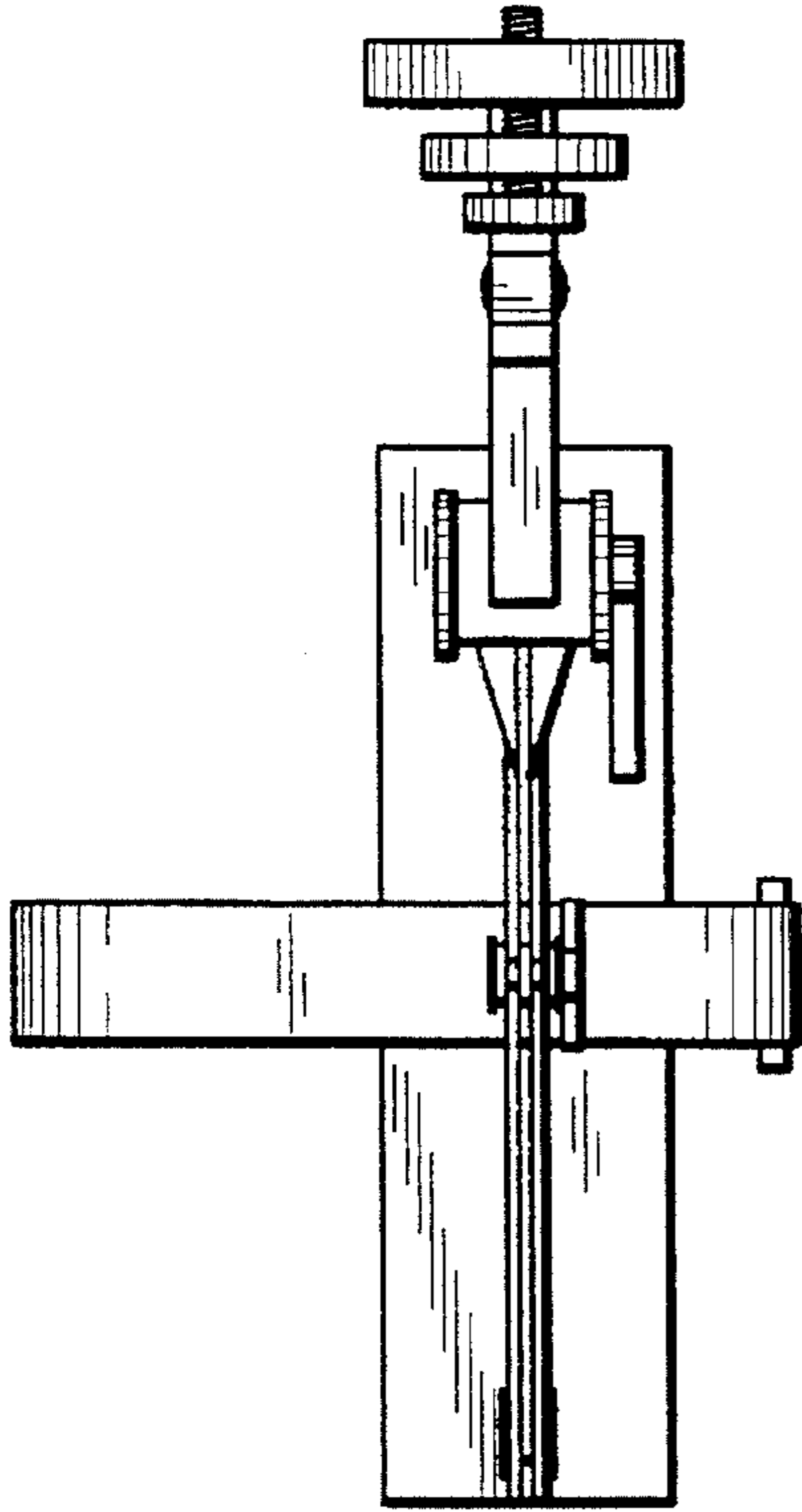


FIG. 4

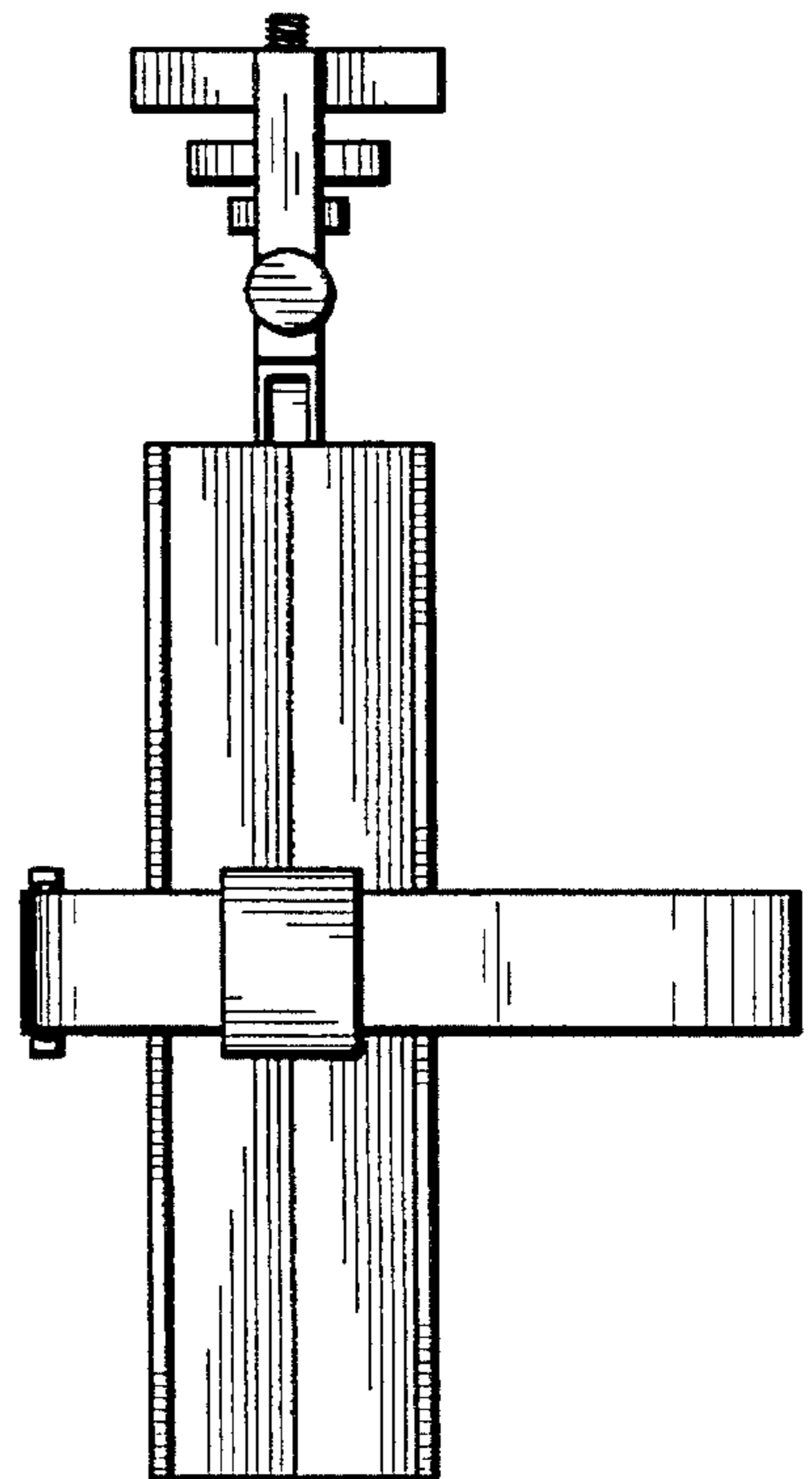


FIG. 5

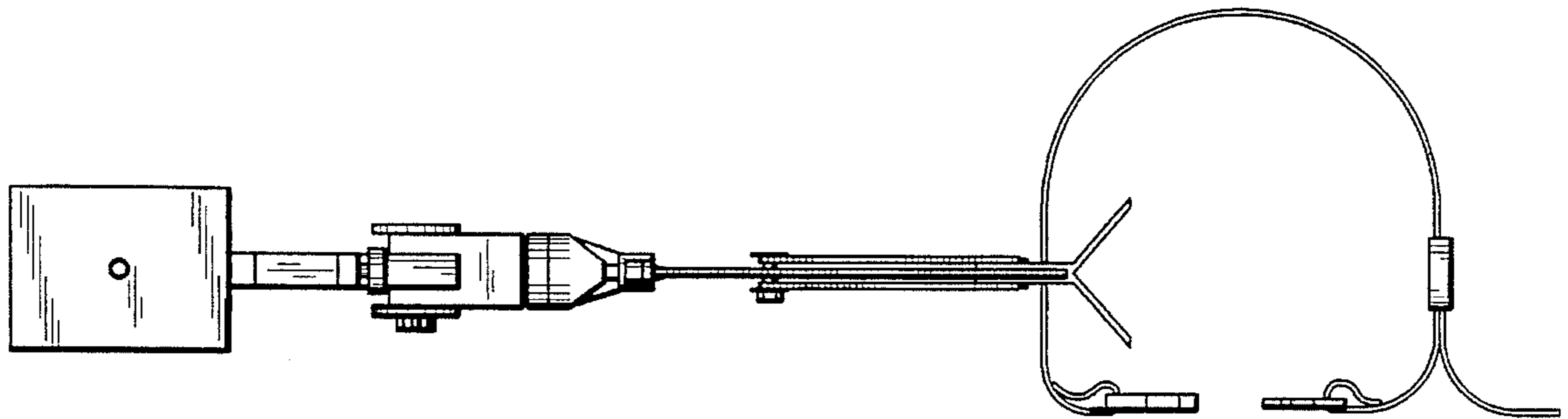


FIG. 6

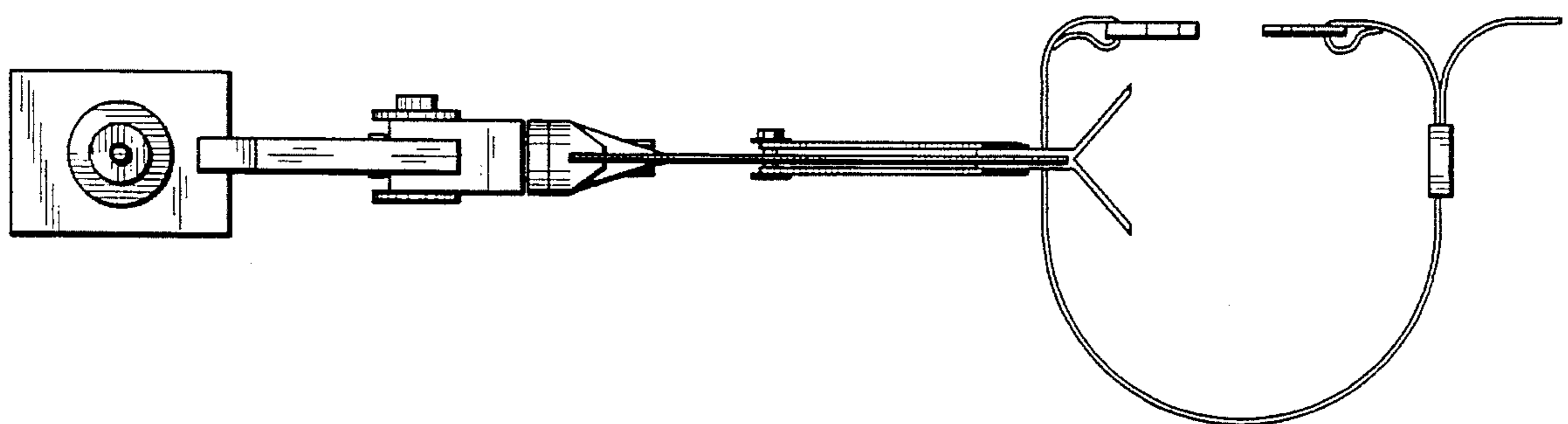


FIG. 7

