



US00D363944S

United States Patent [19]

McCarter

[11] Patent Number: **Des. 363,944**

[45] Date of Patent: ****Nov. 7, 1995**

[54] **OIL DRIP PAN**

3,980,153 9/1976 Andrews 180/69.1
5,222,534 6/1993 Wilkinson, Jr. 220/573 X

[76] Inventor: **Phyllis J. McCarter**, 34 Hickory Forest Dr., Hilton Head Island, S.C. 29926-2669

Primary Examiner—Antoine Duval Davis
Attorney, Agent, or Firm—Harpman & Harpman

[**] Term: **14 Years**

[57] **CLAIM**

The ornamental design for an oil drip pan, as shown and described.

[21] Appl. No.: **26,320**

[22] Filed: **Jul. 25, 1994**

DESCRIPTION

[52] U.S. Cl. **D15/150**

[58] Field of Search D15/150-152;
D23/200; D34/12; 141/1, 98; 123/196 R,
198 E; 180/69.1; 189/106, 105.1, 1.5; 206/229,
504; 210/138, 143, 167; 220/200, 573

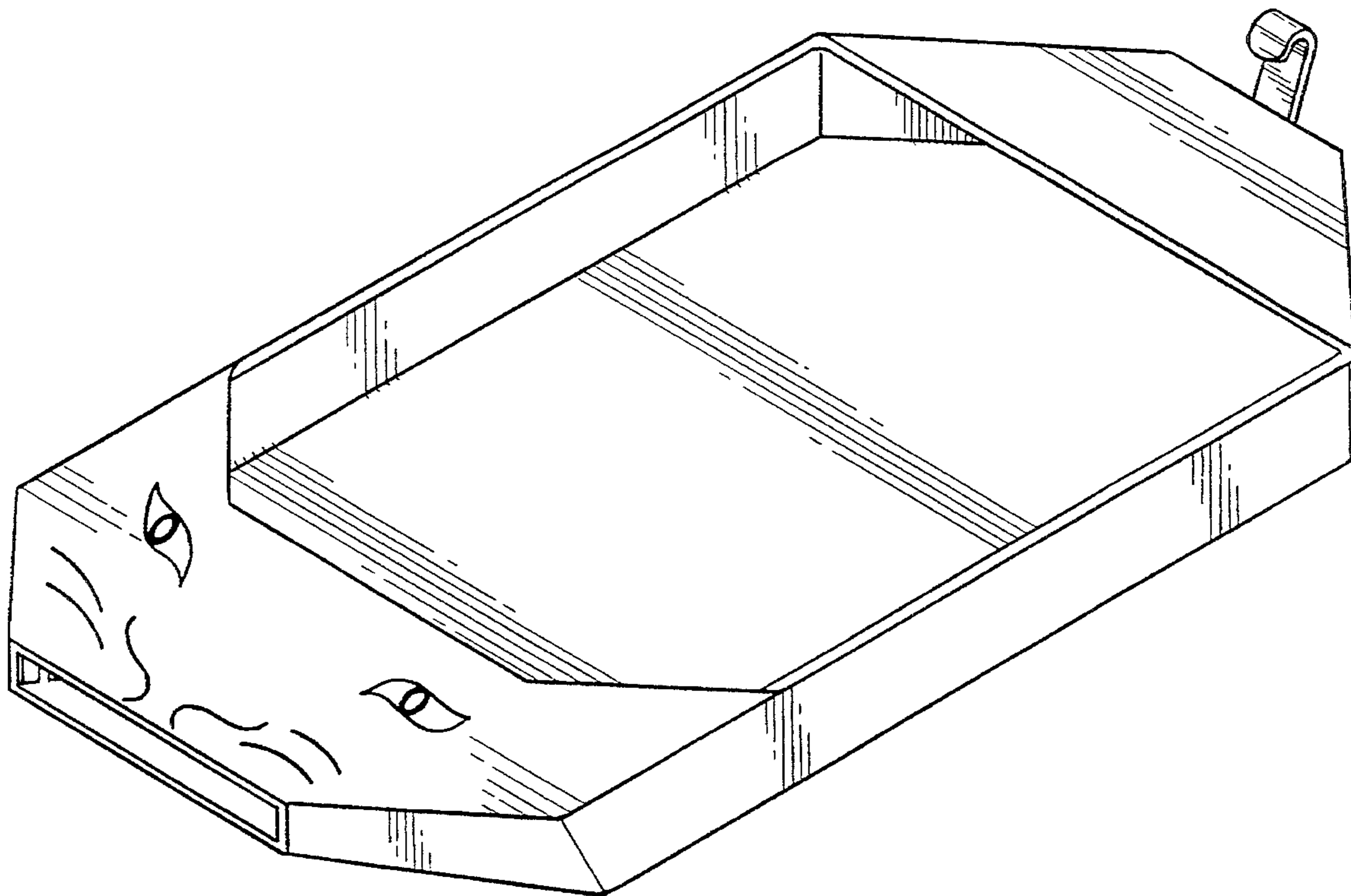
FIG. 1 is a front, top and side perspective view of an oil drip pan showing my new design;
FIG. 2 is a front elevational view thereof;
FIG. 3 is a rear elevational view thereof;
FIG. 4 is a side elevational view thereof, the opposite being a mirror image;
FIG. 5 is a top plan view thereof; and,
FIG. 6 is a bottom plan view thereof.

[56] **References Cited**

U.S. PATENT DOCUMENTS

D. 264,180 5/1982 Bartz D15/152 X
1,281,548 10/1918 Frederick 184/106

1 Claim, 3 Drawing Sheets



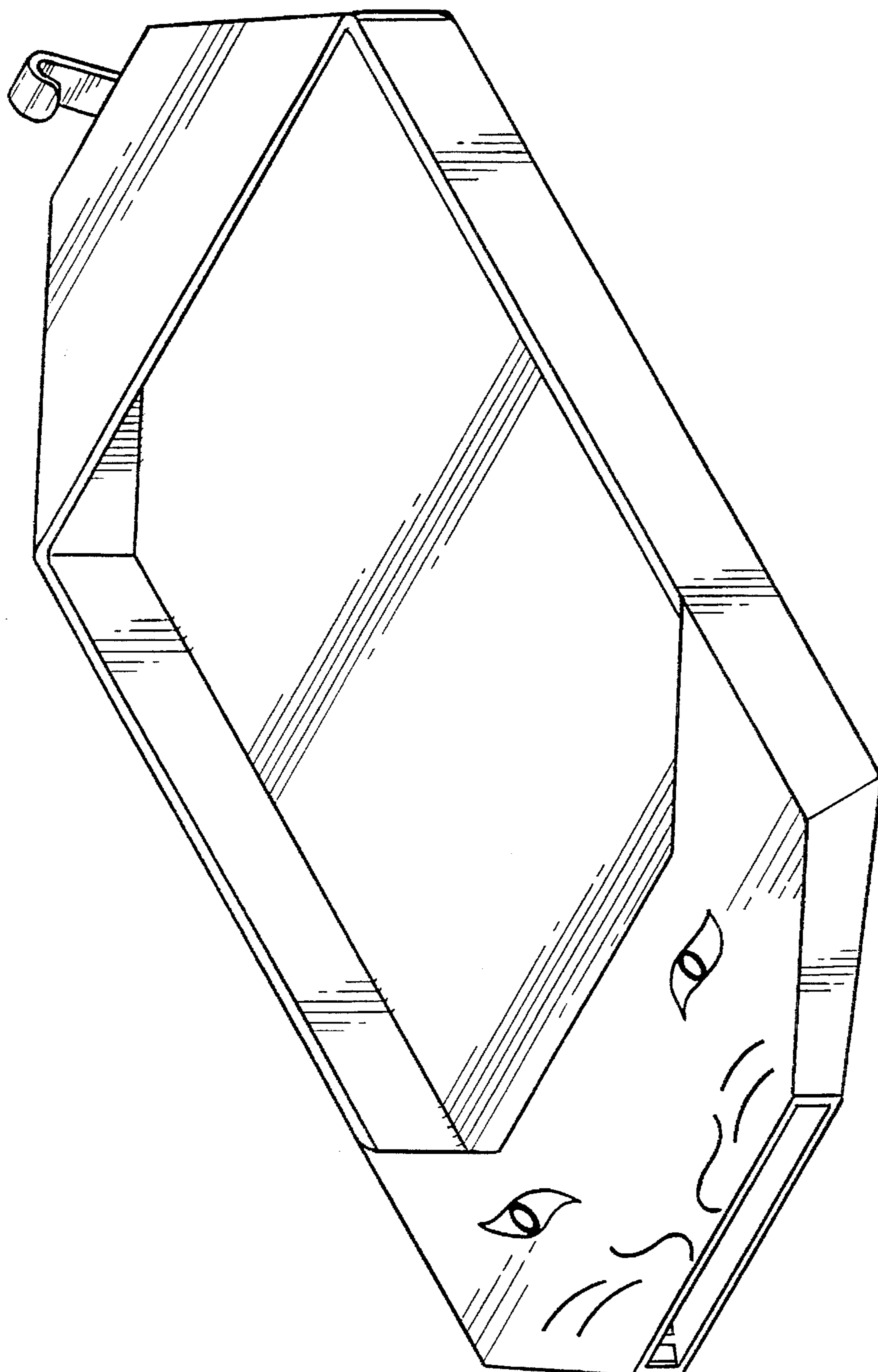


FIG. 1

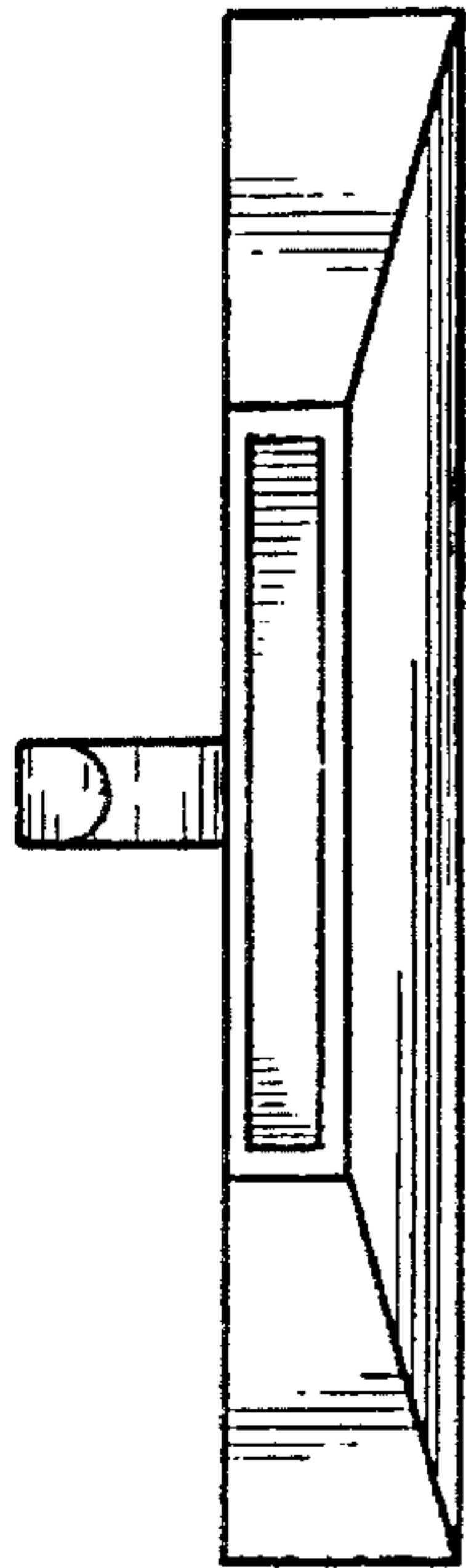


FIG. 2

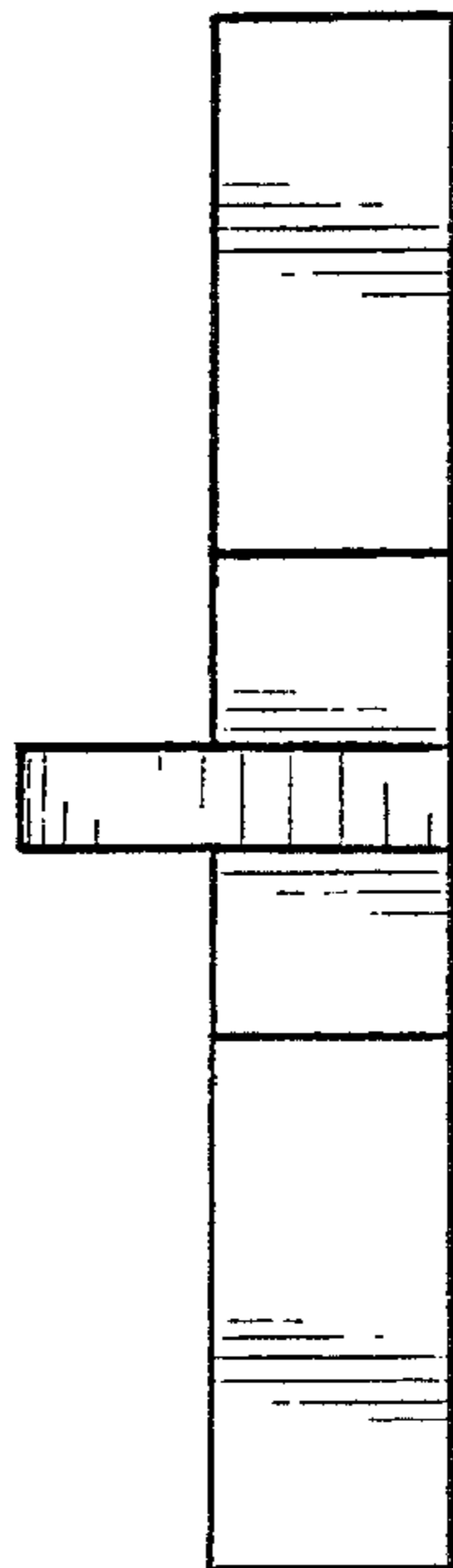


FIG. 3

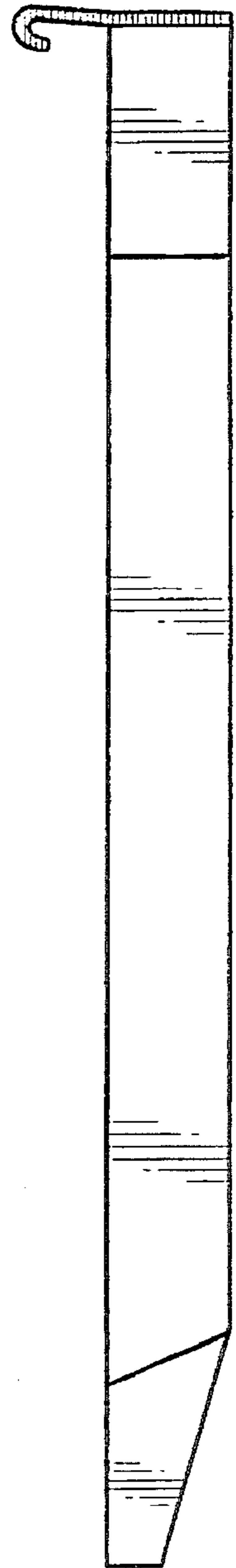


FIG. 4

FIG. 5

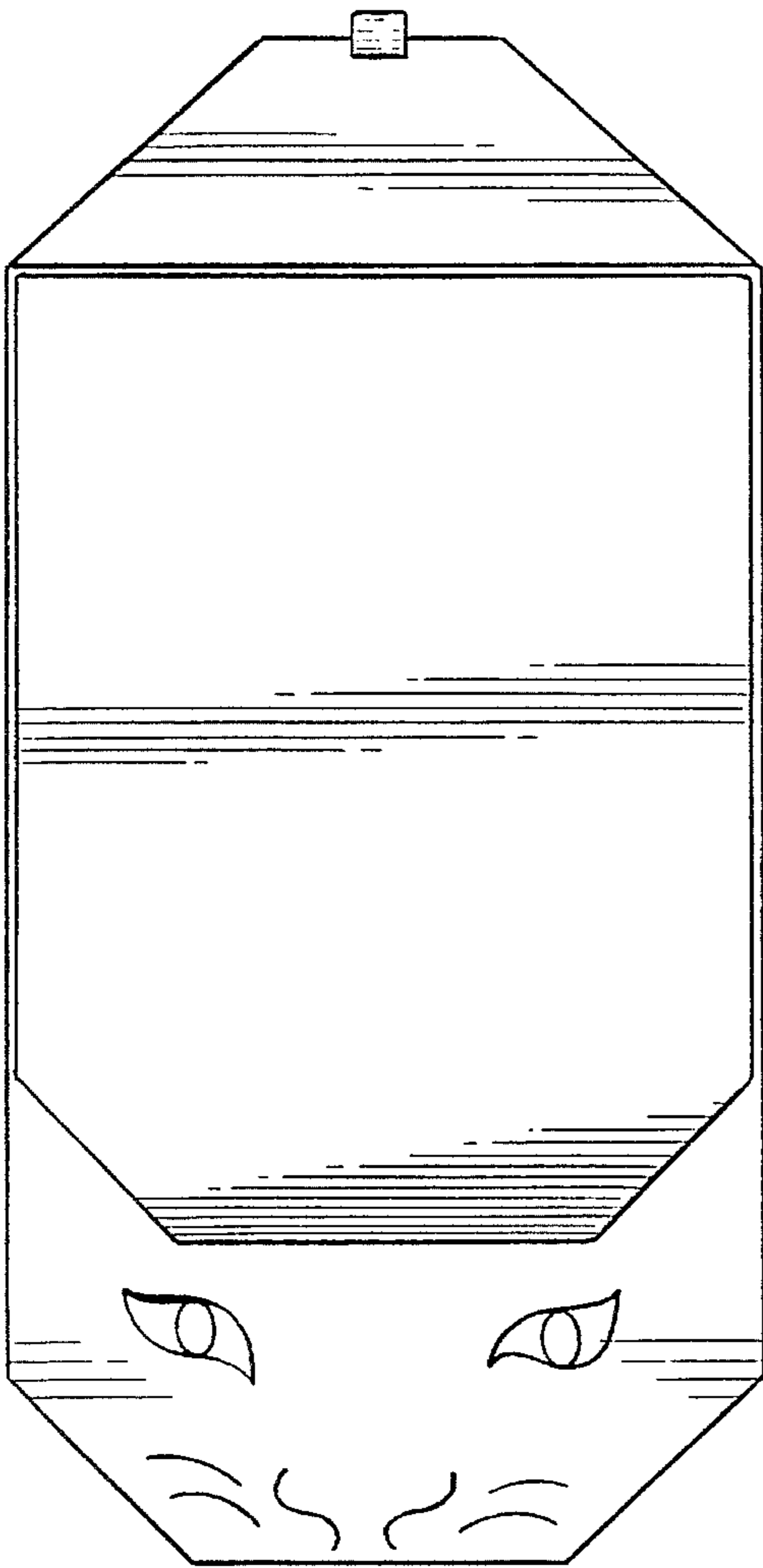


FIG. 6

