



US00D363943S

United States Patent [19]
Hendrickson

[11] **Patent Number: Des. 363,943**

[45] **Date of Patent: **Nov. 7, 1995**

[54] **CONCRETE FORM SPLASH FUNNEL**

[76] Inventor: **John Hendrickson**, 2313 N. 29th,
Tacoma, Wash. 98403

[**] Term: **14 Years**

[21] Appl. No.: **16,831**

[22] Filed: **Dec. 27, 1993**

[52] U.S. Cl. **D15/136**

[58] **Field of Search** D15/19, 28, 150,
D15/136, 135, 137; 141/331, 343, 391;
193/10, 2 R, 4, 21, 25 A; 222/460-462;
248/94; 366/53, 68; D34/28; D30/162;
52/608; 249/177, 186, 205, 210; 405/231,
36; 446/125; D25/113

[56] **References Cited**

U.S. PATENT DOCUMENTS

D. 260,651	9/1981	Gibbons	D15/138	X
984,531	2/1911	Blair	249/177	X
1,224,277	5/1917	Clarke	D15/136	X
3,844,337	10/1974	Bessett et al.	249/205	X
4,007,821	2/1977	Schiffelbein	193/10	X

4,075,711	2/1978	Hall	366/68	X
4,125,332	11/1978	Schmednecht	366/53	
4,225,269	9/1980	Matsui	405/33	
4,258,897	3/1981	Stees	249/177	X

Primary Examiner—Antoine Duval Davis
Attorney, Agent, or Firm—T. Secrest

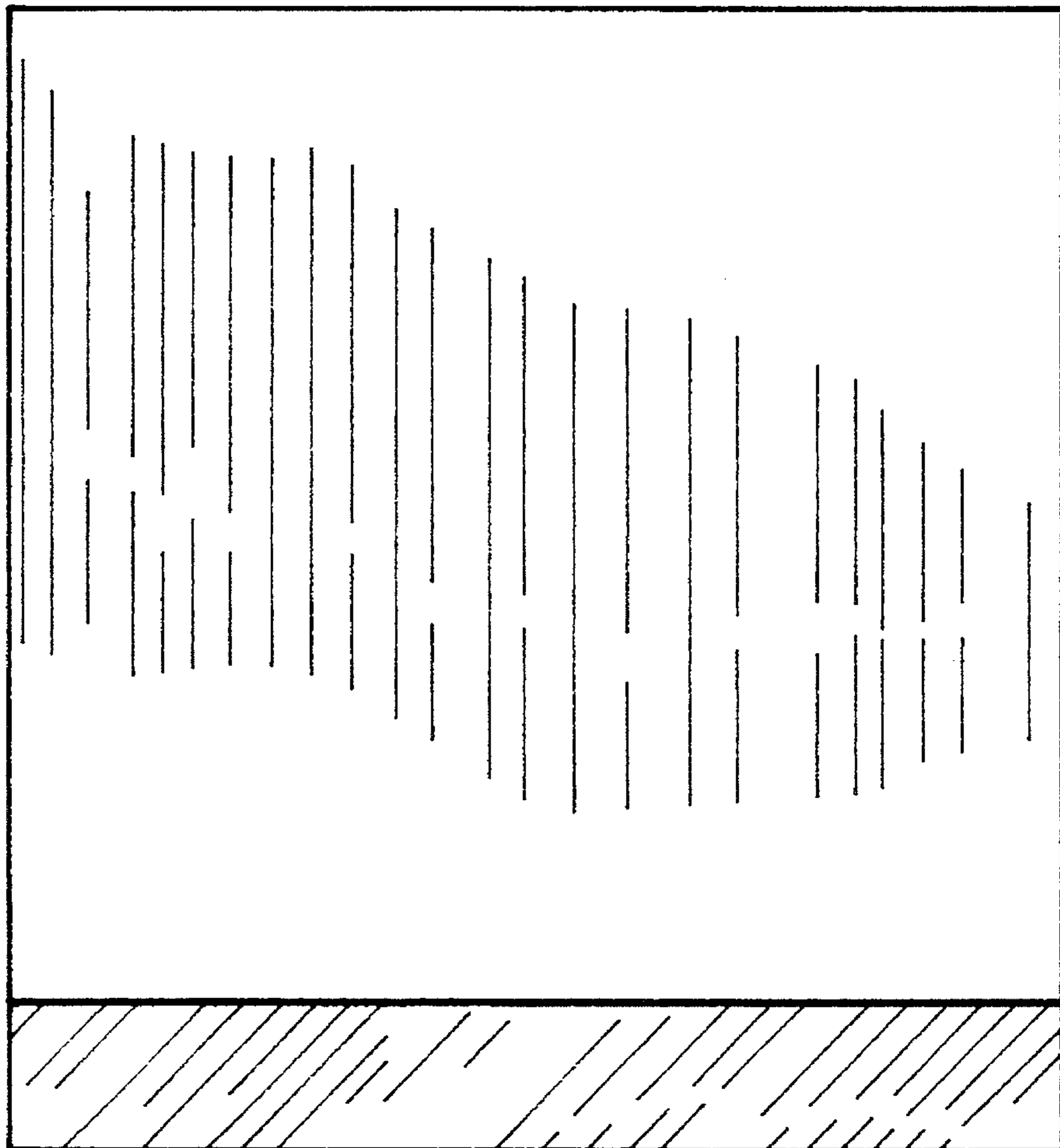
[57] **CLAIM**

The ornamental design for a concrete form splash funnel, as shown and described.

DESCRIPTION

FIG. 1 is a side elevational view of said concrete form splash funnel with the understanding that the other side elevational view is the same;
FIG. 2 is an end elevational view of the concrete form splash funnel with the understanding that the other end elevational view is the same;
FIG. 3 is a top plan view of said concrete form splash funnel; and,
FIG. 4 is a bottom plan view of said concrete form splash funnel.

1 Claim, 2 Drawing Sheets



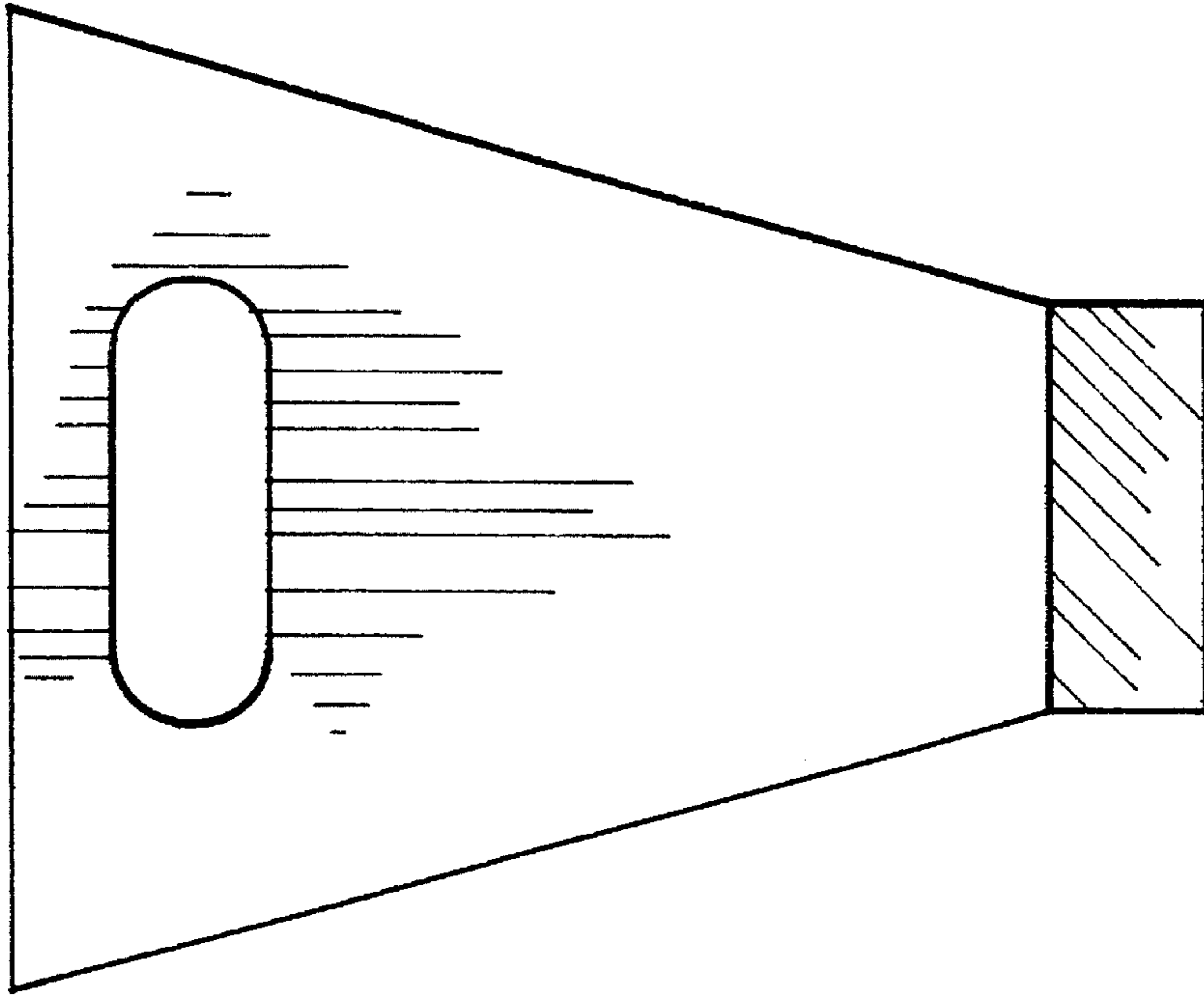


FIG. 2

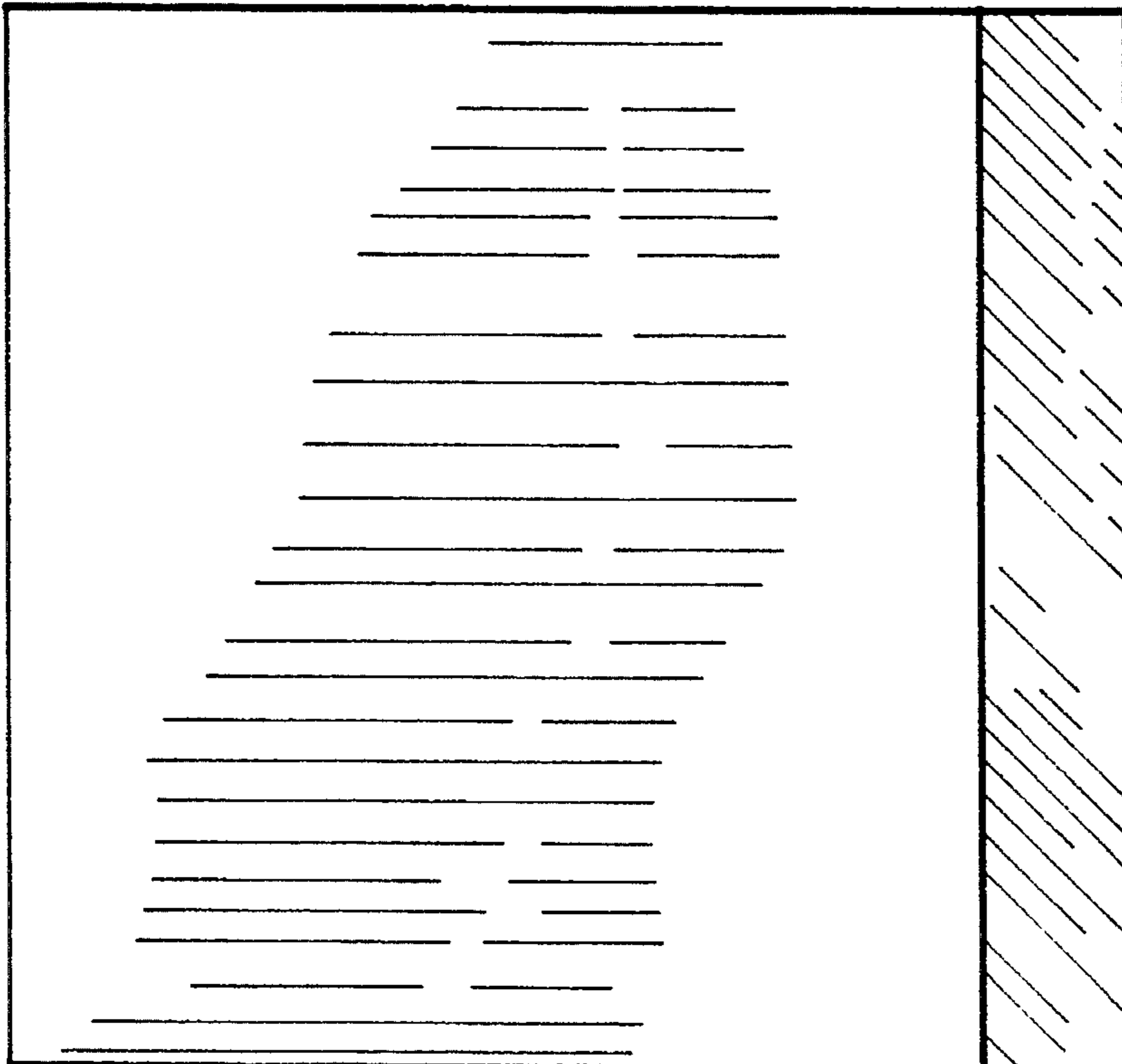


FIG. 1

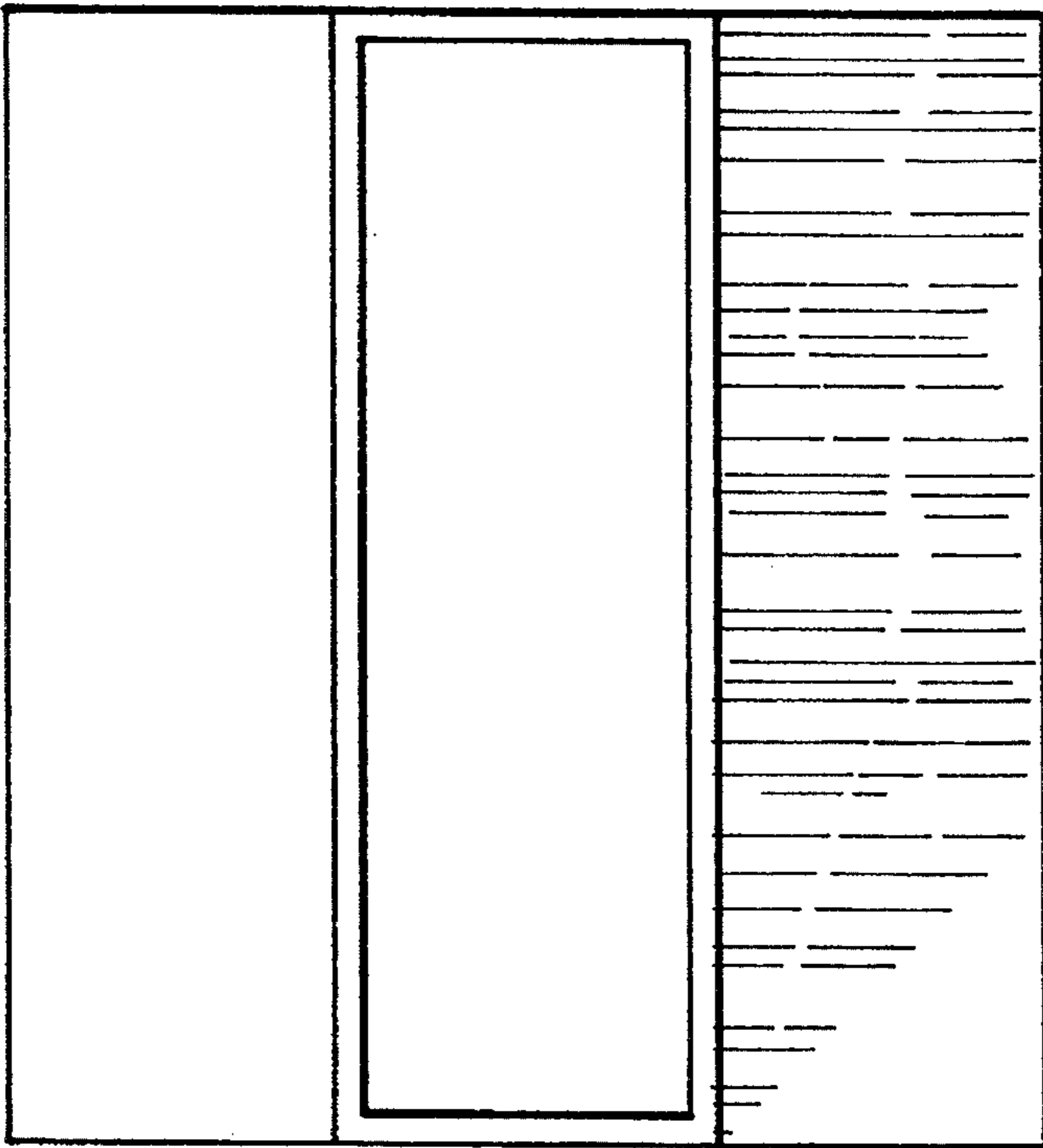


FIG. 3

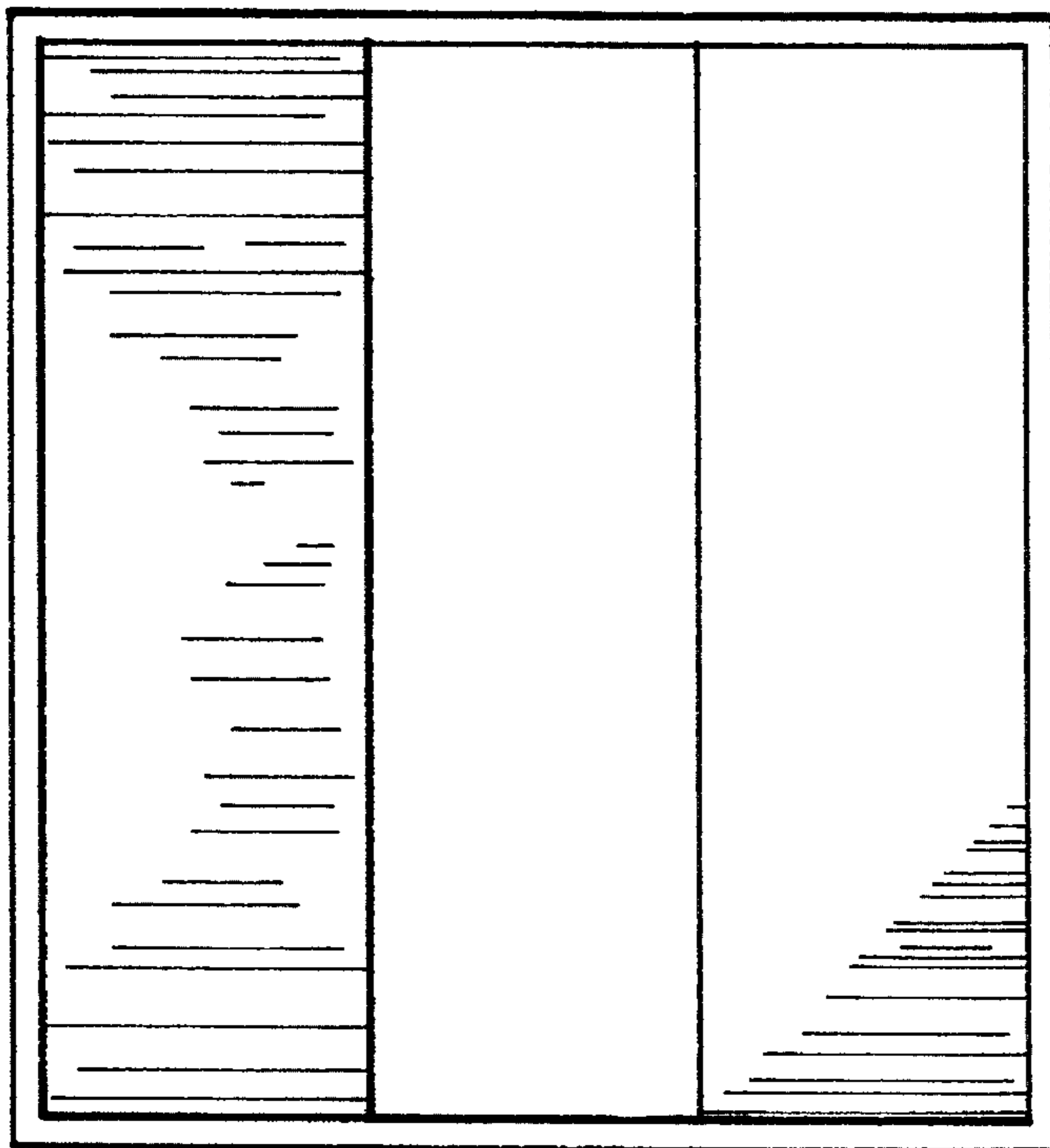


FIG. 4