



US00D363942S

United States Patent [19]

Chan

[11] Patent Number: **Des. 363,942**

[45] Date of Patent: ****Nov. 7, 1995**

[54] SEWING MACHINE

[75] Inventor: **Yui-Ming Chan**, Kwai Chung, Hong Kong

[73] Assignee: **Lucky Collection Limited**, Hong Kong, Hong Kong

[**] Term: **14 Years**

[21] Appl. No.: **13,898**

[22] Filed: **Oct. 5, 1993**

[52] U.S. Cl. **D15/69**

[58] Field of Search D15/66-76; 112/217.1-217.4, 112/258-262.1

[56] References Cited

U.S. PATENT DOCUMENTS

D. 280,826	10/1985	Kuroki	D15/69
D. 283,029	3/1986	David	D15/69
D. 283,030	3/1986	David	D15/69
D. 300,543	4/1989	Yoneda	D15/70
D. 314,390	2/1991	Kuroki	D15/68
D. 316,102	4/1991	Uchida	D15/70

OTHER PUBLICATIONS

House & Garden, Jun. 1981, p. 70, Singer Sewing Machine Model 833.

Evans 1989-90 Catalog, p. 223, Brother Lightweight Free-Arm Sewing Machine.

Primary Examiner—Sandra L. Morris

Attorney, Agent, or Firm—Burns, Doane, Swecker & Mathis

[57] CLAIM

The ornamental design for a sewing machine, as shown and described.

DESCRIPTION

FIG. 1 is the front elevational view of a sewing machine showing my new design;

FIG. 2 is the rear elevational view thereof;

FIG. 3 is the left side view thereof;

FIG. 4 is the right side view thereof;

FIG. 5 is the top plan view thereof; and,

FIG. 6 is the bottom view thereof.

1 Claim, 5 Drawing Sheets

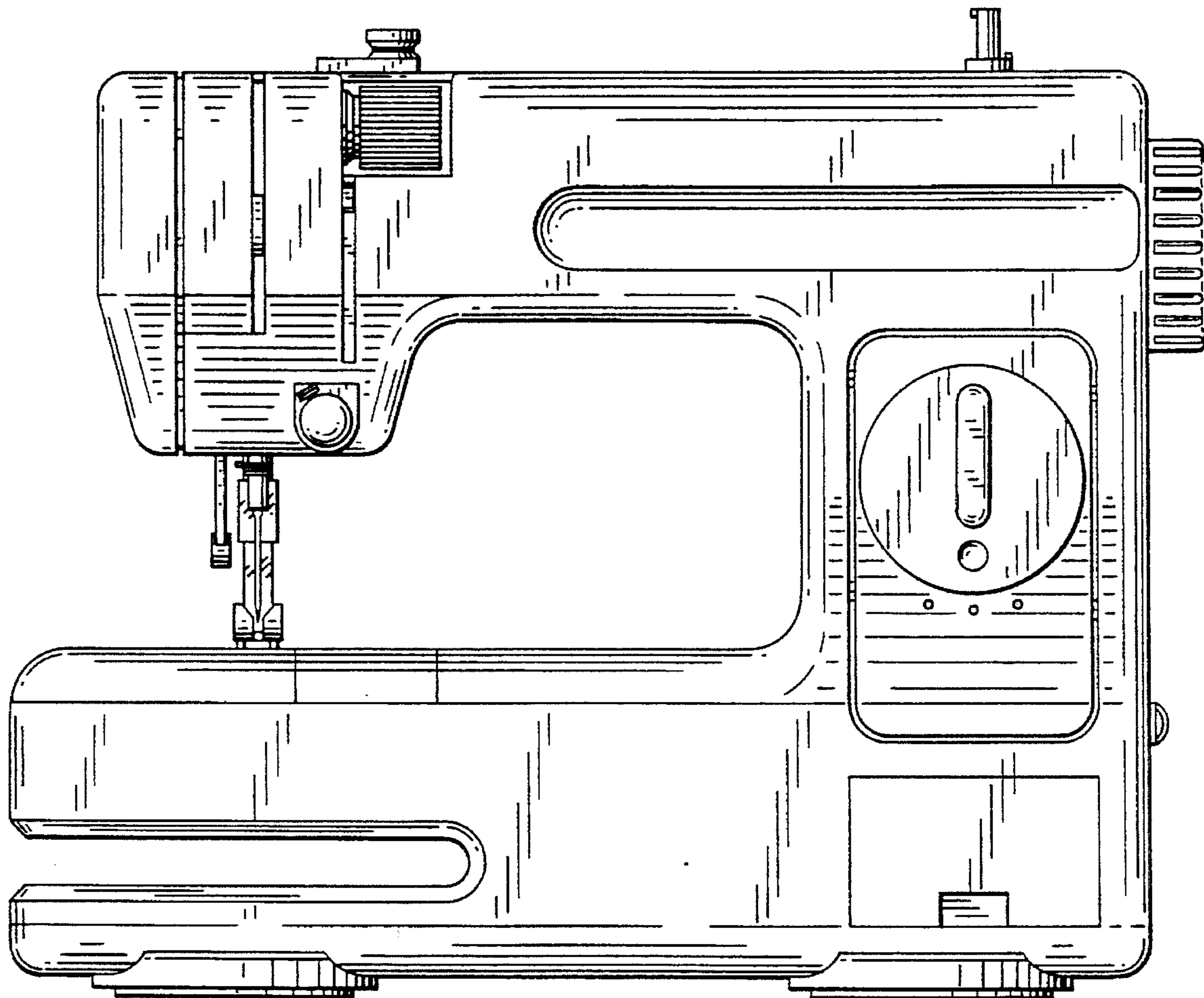


FIG. 1

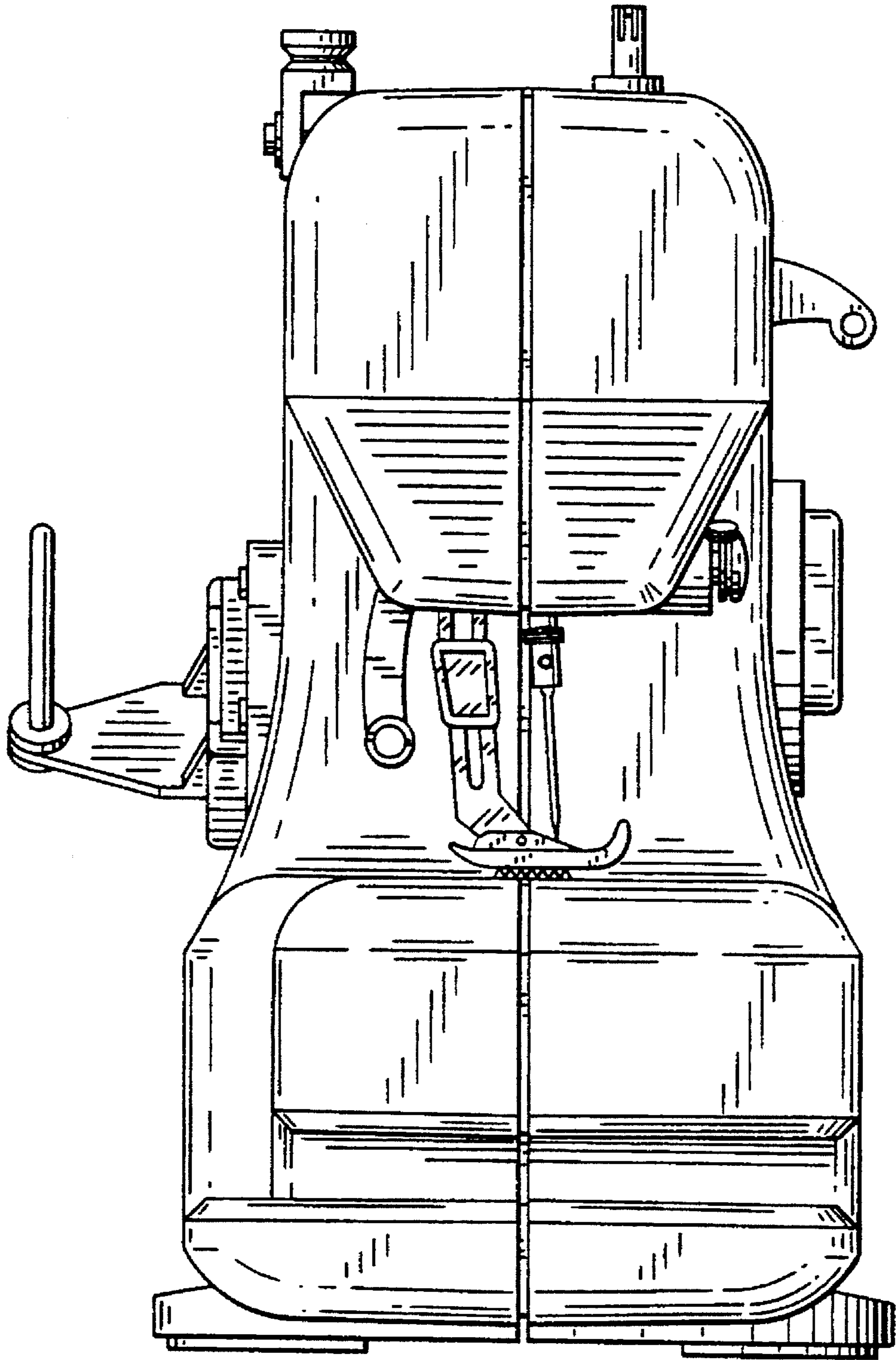


FIG. 2

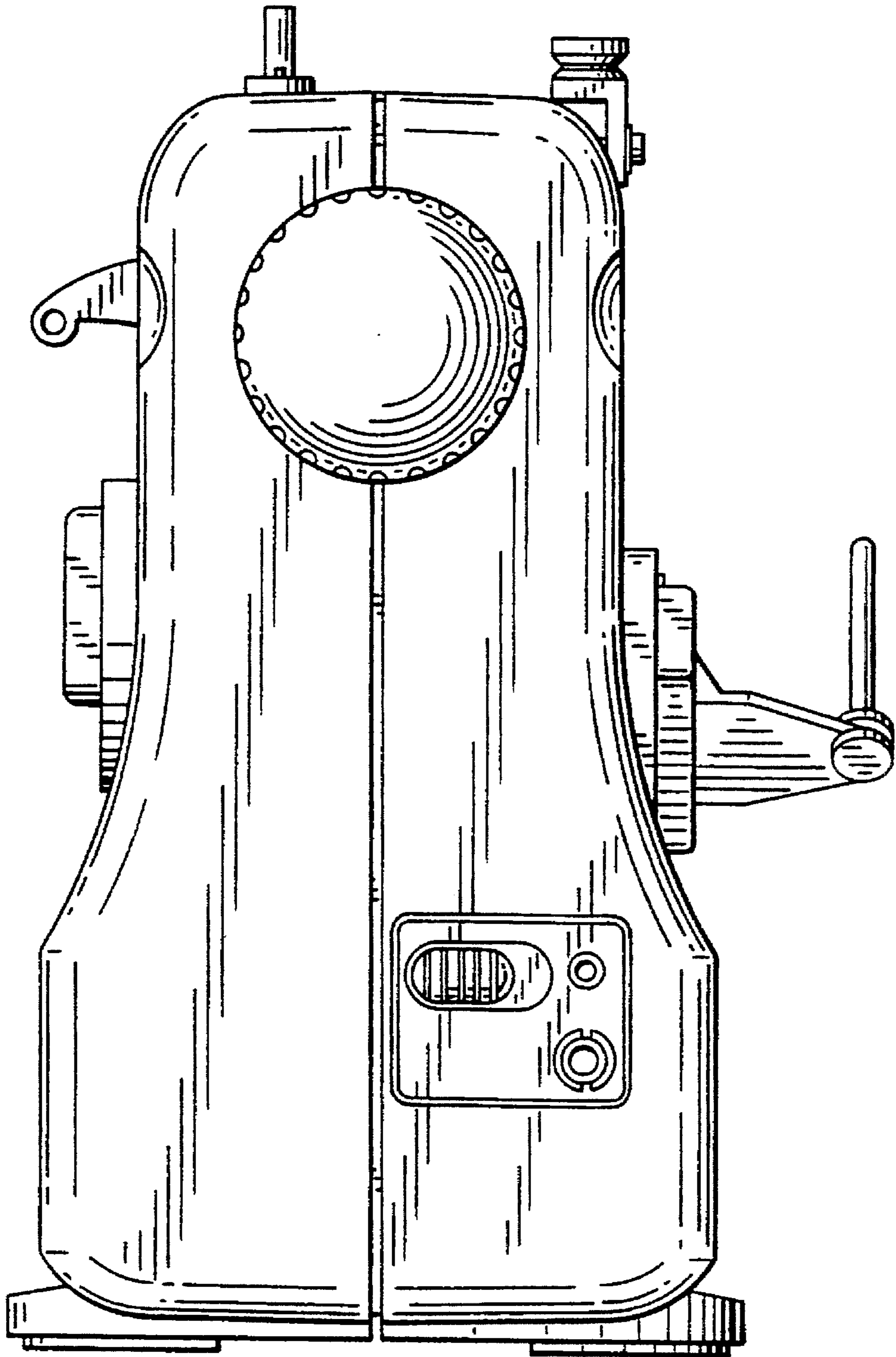


FIG. 3

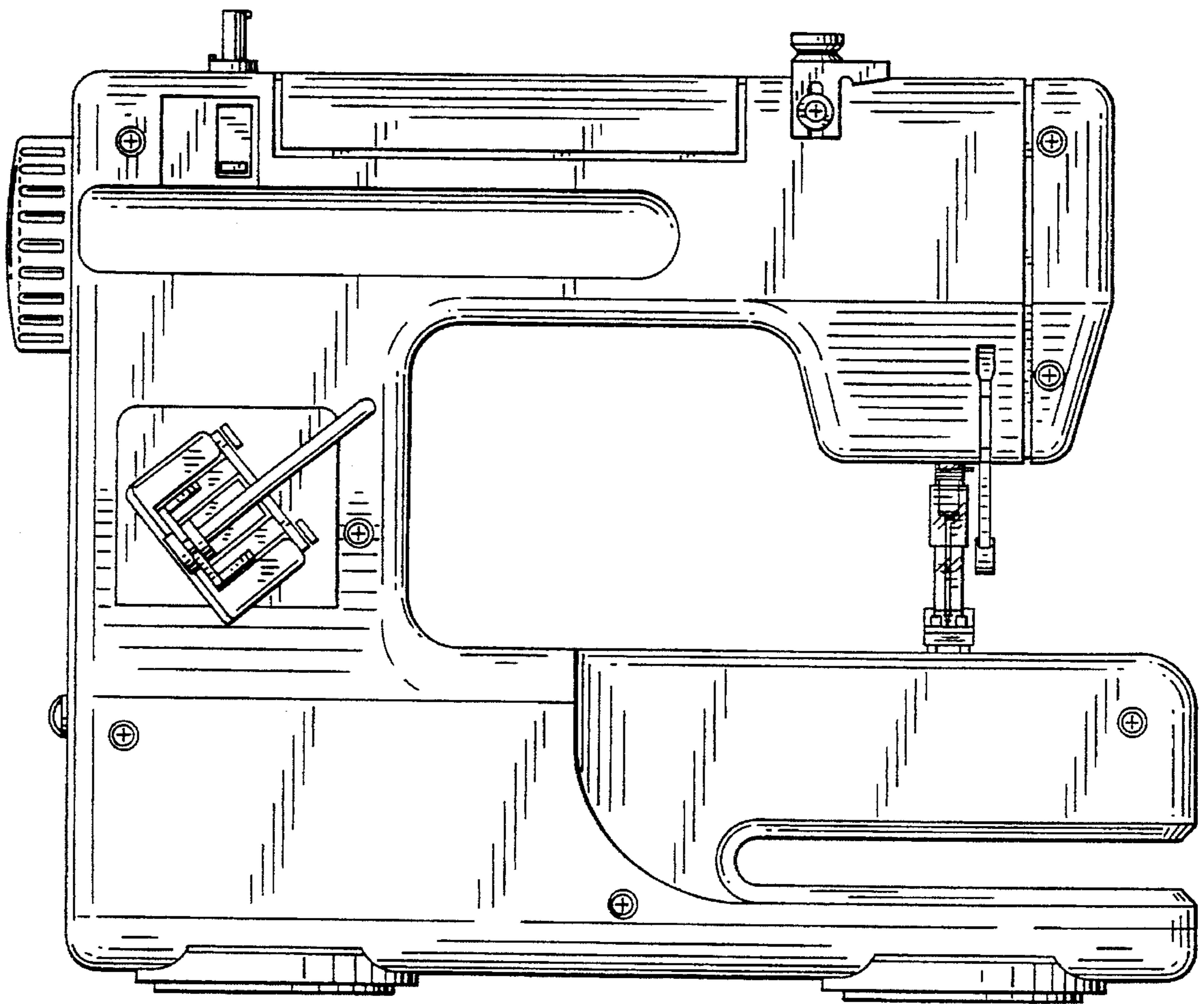


FIG. 4

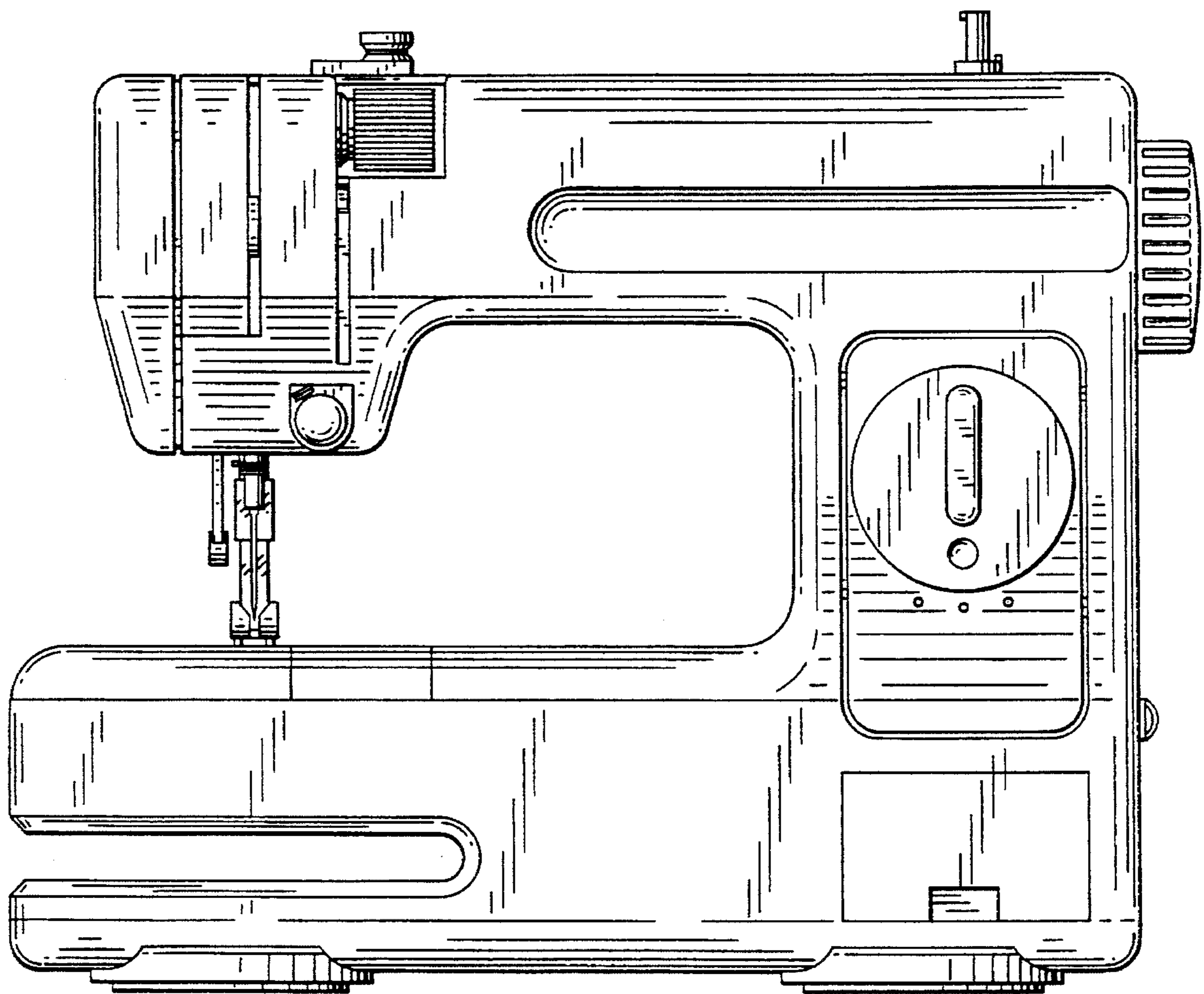


FIG. 5

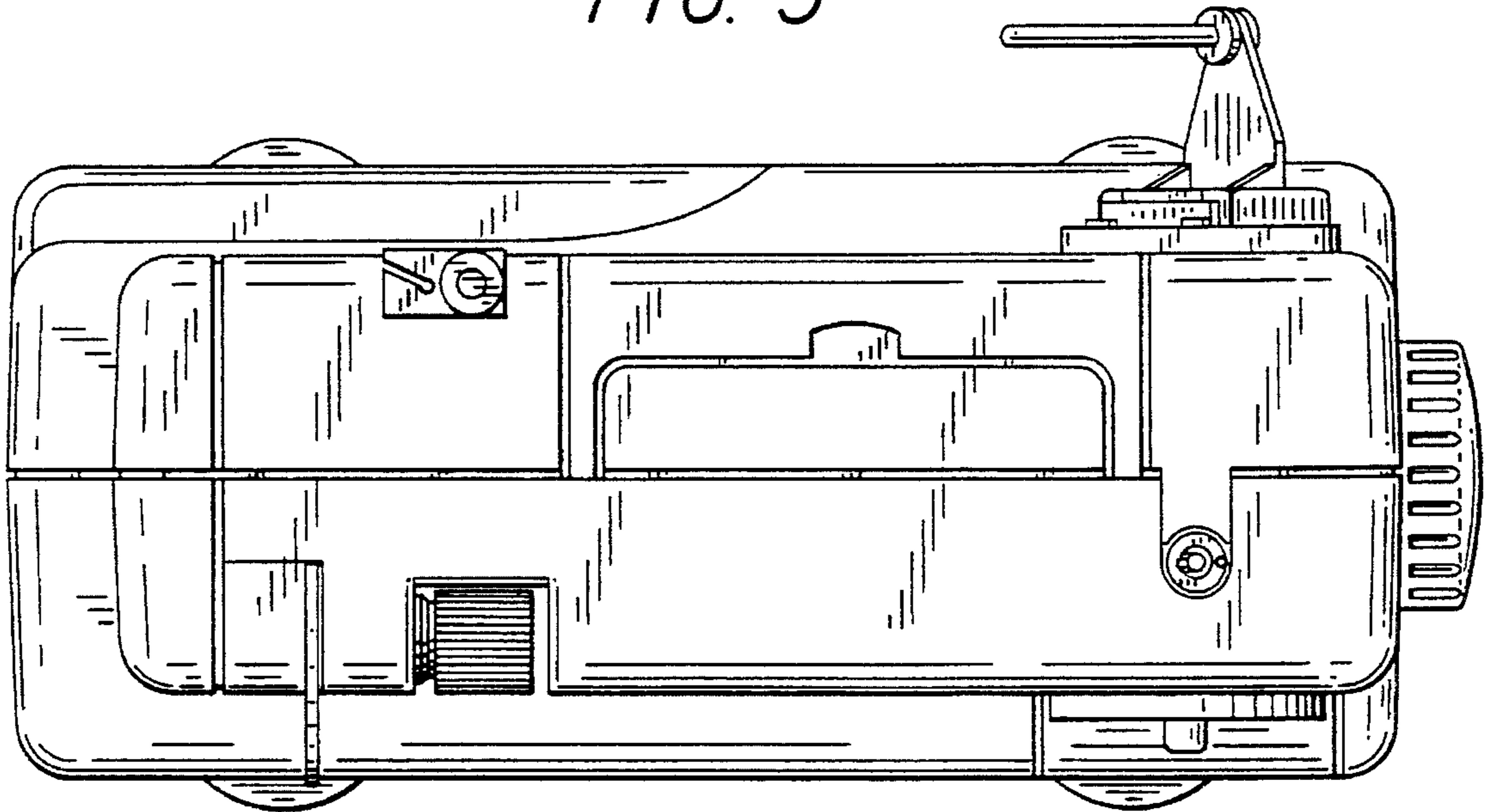


FIG. 6

