



US00D363941S

United States Patent [19]

Johnstrud et al.

[11] Patent Number: **Des. 363,941**

[45] Date of Patent: ****Nov. 7, 1995**

[54] **FEED MIXER**

[75] Inventors: **John L. Johnstrud**, Albert Lea;
Randal J. Johnsrud, Rochester;
Kenneth G. Connaughty, Rushford, all
of Minn.

[73] Assignee: **Easy Systems, Inc.**, Trimont, Minn.

[**] Term: **14 Years**

[21] Appl. No.: **22,122**

[22] Filed: **May 2, 1994**

[52] U.S. Cl. **D15/19**

[58] Field of Search D15/10, 19, 28;
366/135, 183, 188

[56] **References Cited**

U.S. PATENT DOCUMENTS

Re. 18,768	3/1933	Edland	D15/19
3,218,045	11/1965	Cox	D15/19
3,897,934	8/1975	Phillips	366/183

4,423,961	1/1984	Steiner	366/183
4,501,499	2/1985	Boan et al.	366/188
4,678,342	7/1987	Dalman	366/188
5,249,860	10/1993	Buschbom et al.	366/135

Primary Examiner—Sandra L. Morris
Attorney, Agent, or Firm—Henderson & Sturm

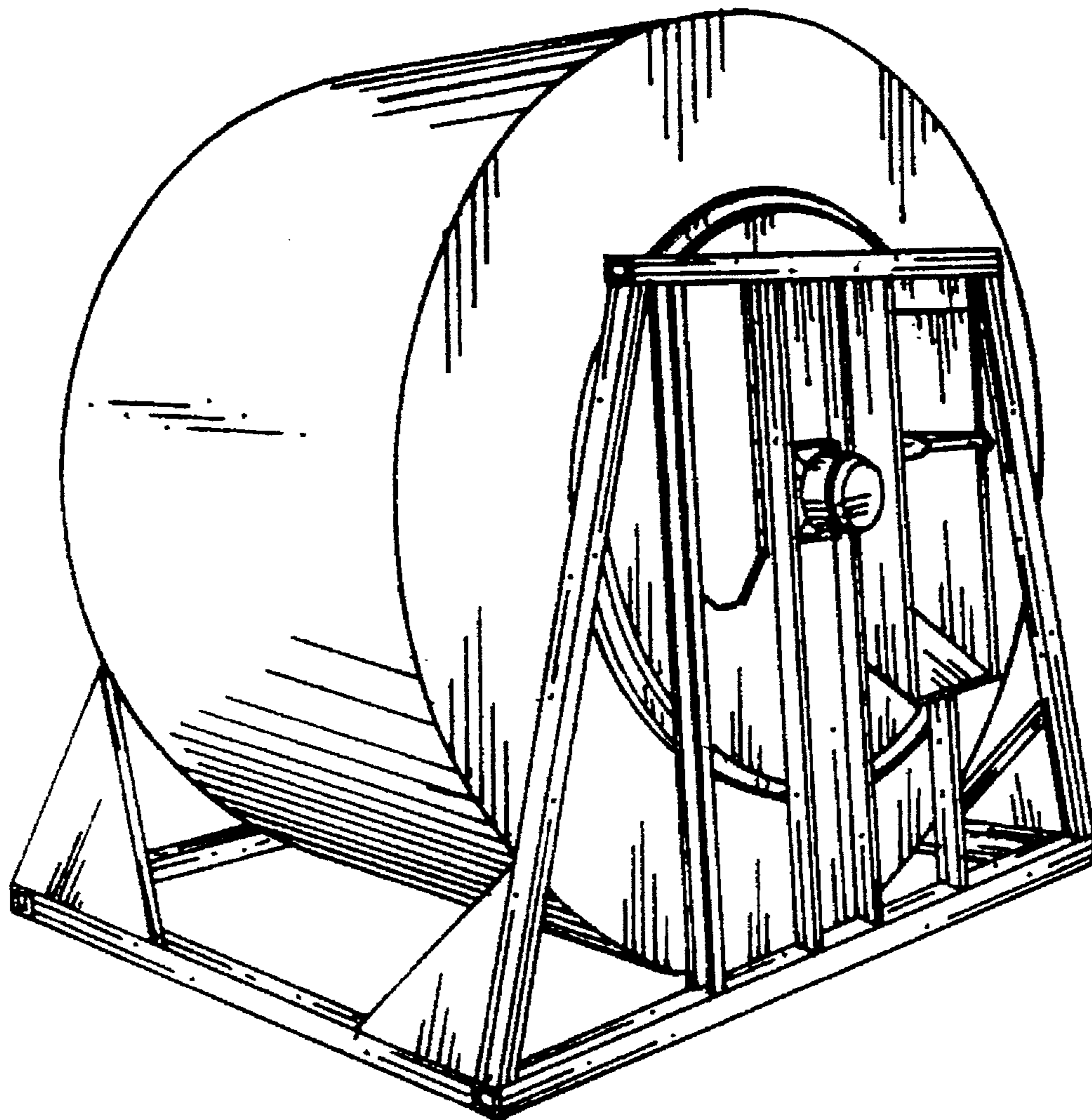
[57] **CLAIM**

The ornamental design for a feed mixer, as shown and described.

DESCRIPTION

FIG. 1 is front and left side perspective view of a feed mixer showing our new design;
FIG. 2 is a front elevational view thereof;
FIG. 3 is a rear elevational view thereof;
FIG. 4 is a left side elevational view thereof;
FIG. 5 is a right side elevational view thereof;
FIG. 6 is a bottom plan view thereof; and,
FIG. 7 is a top plan view thereof.

1 Claim, 2 Drawing Sheets



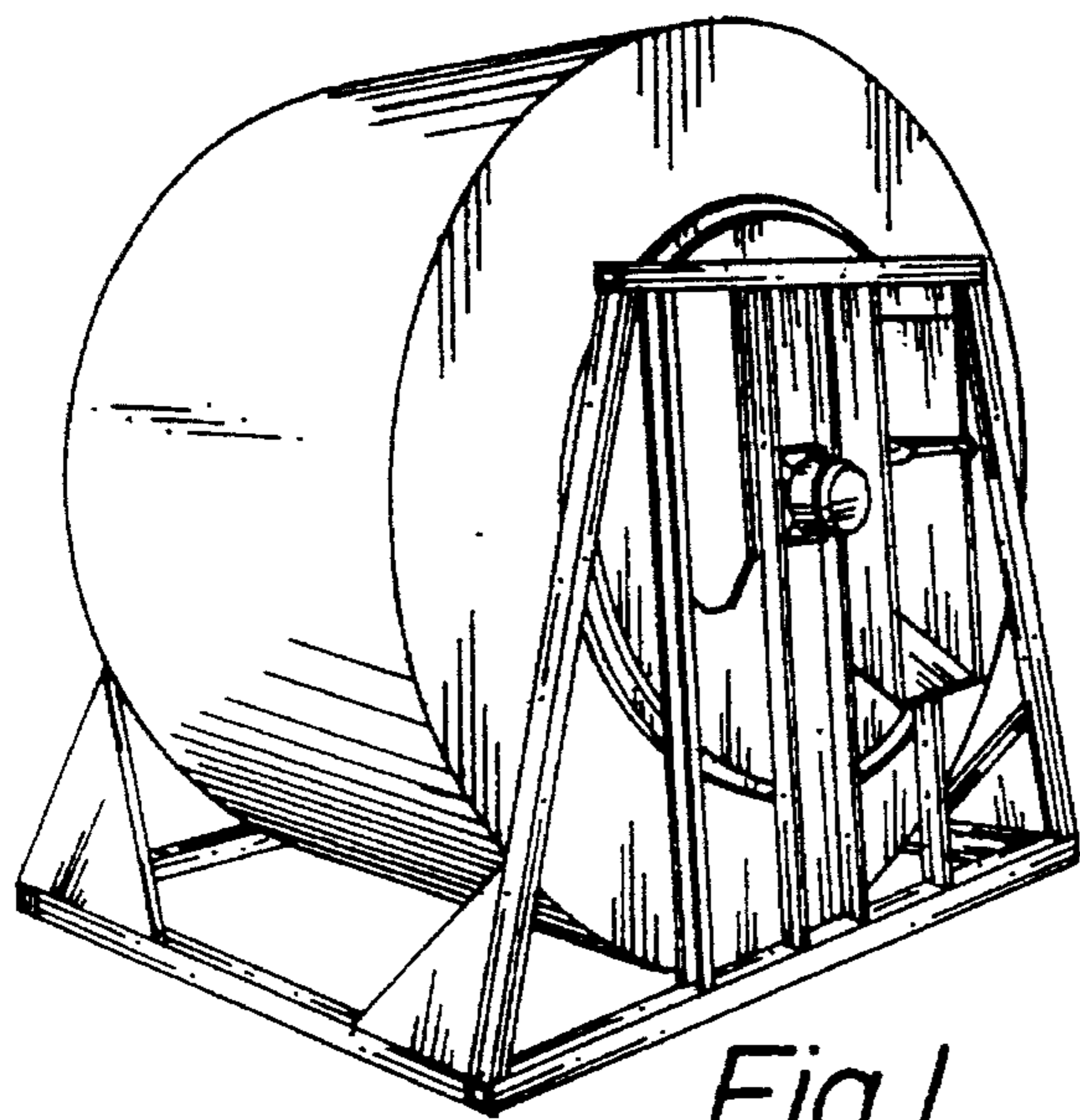


Fig. 1

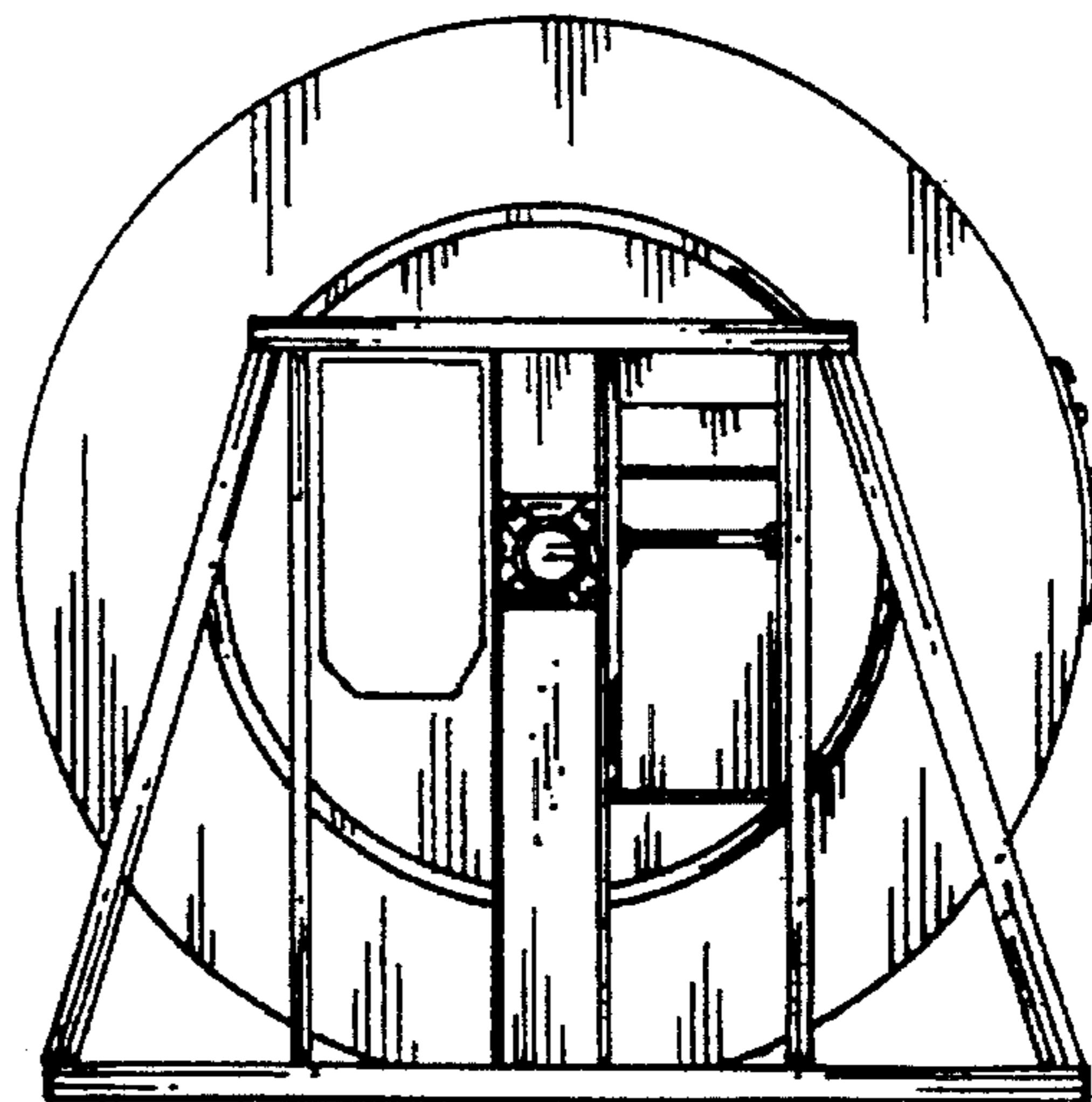


Fig. 2

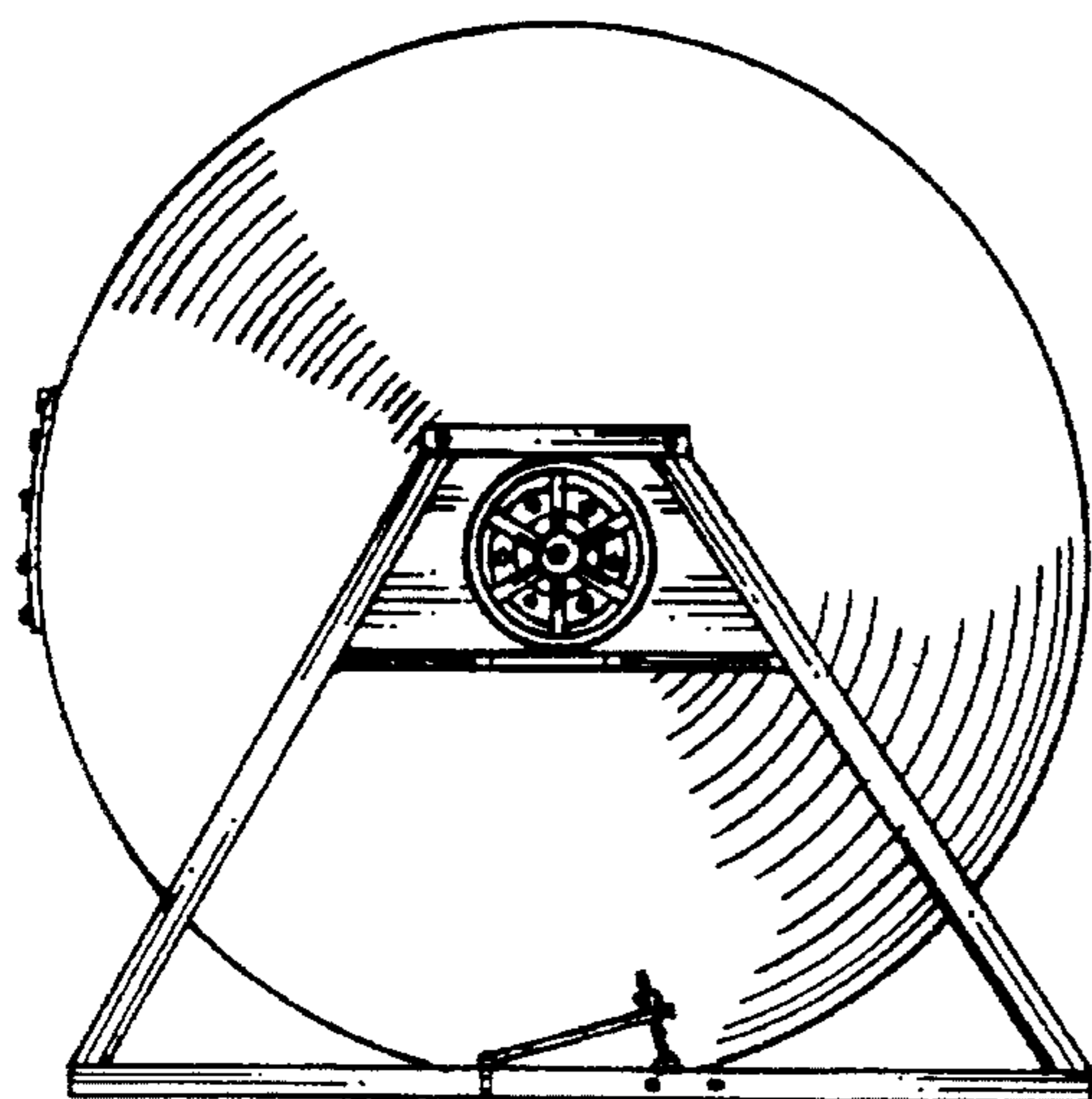


Fig. 3

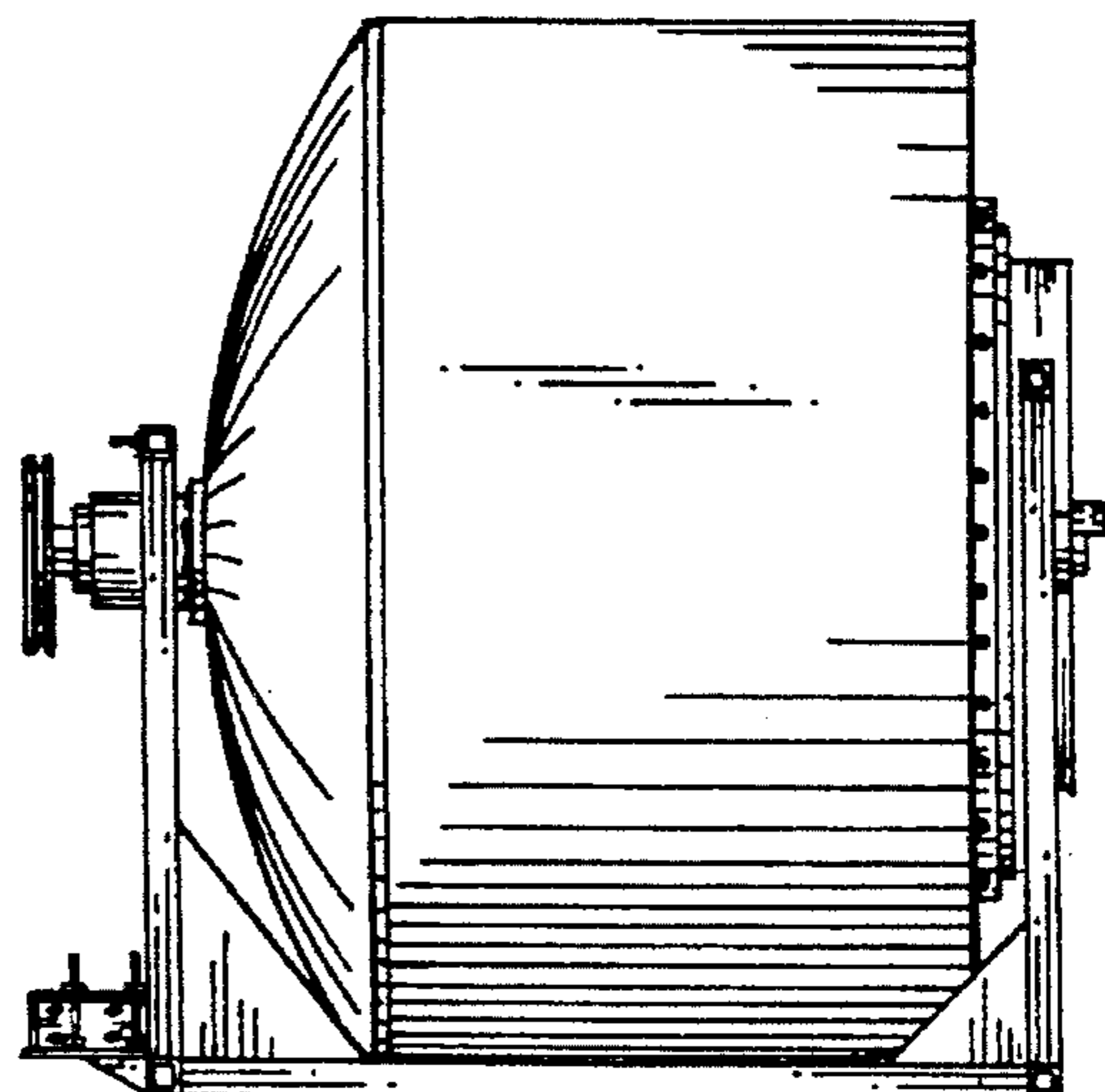


Fig. 4

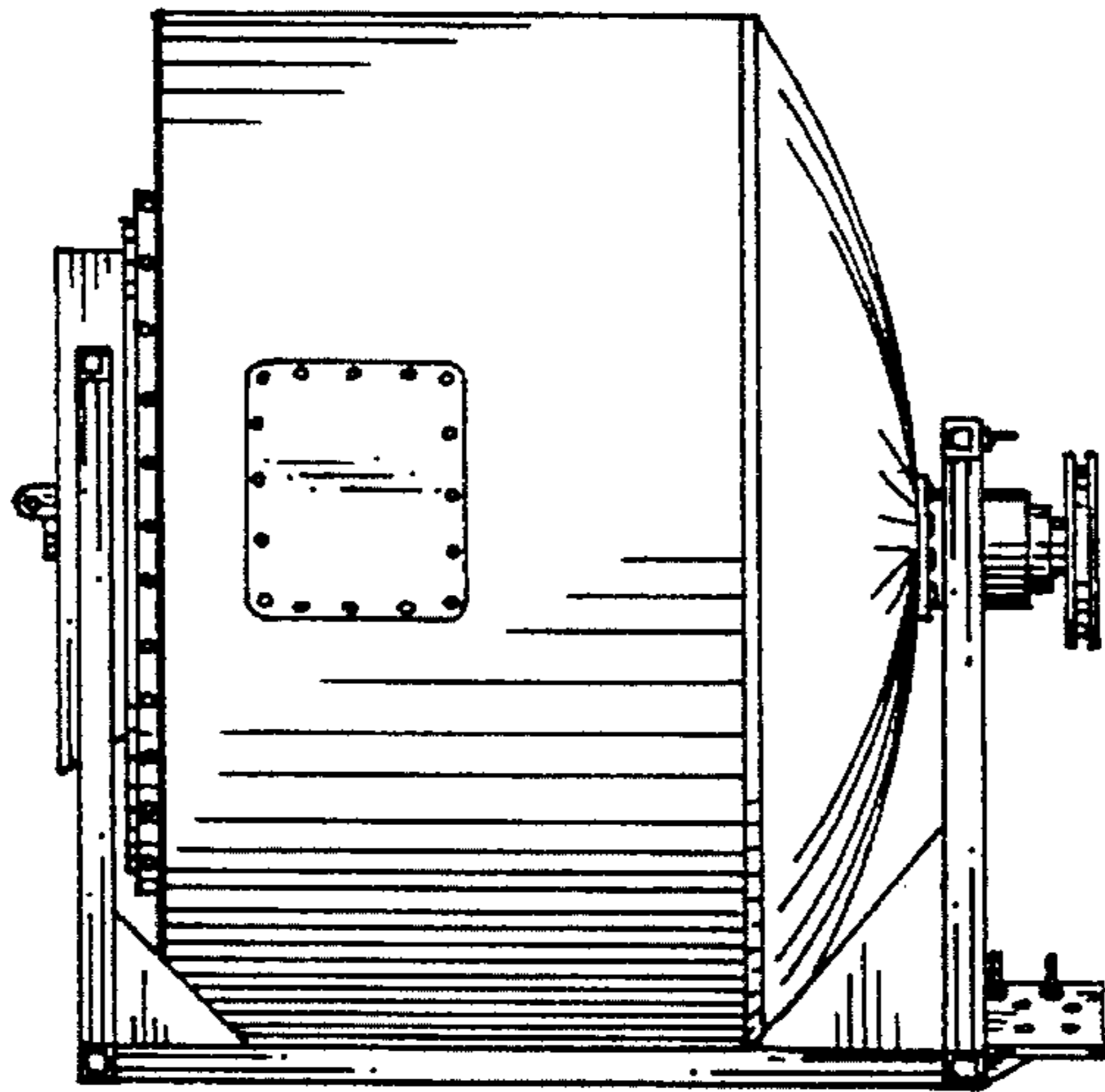


Fig. 5

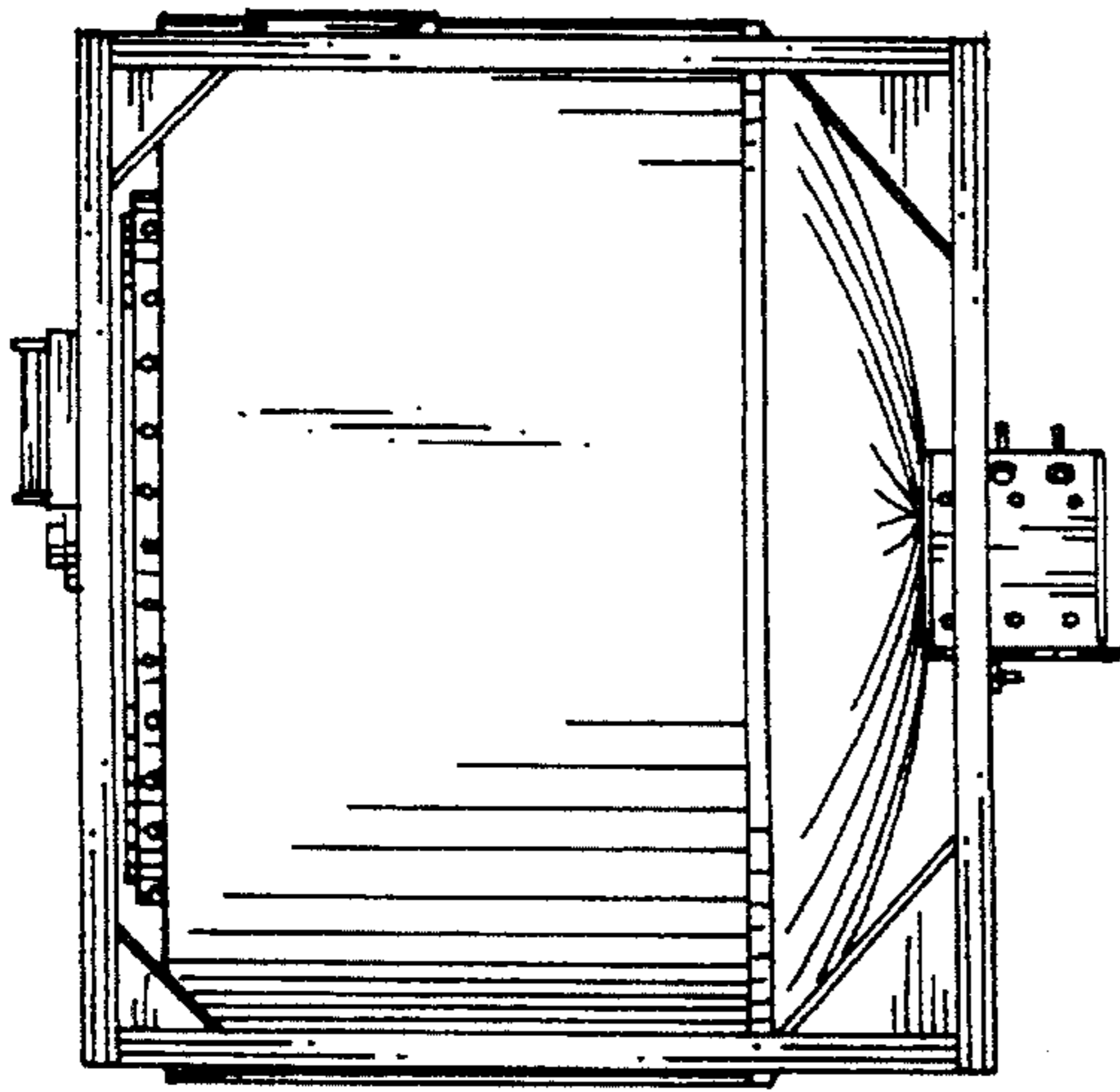


Fig. 6

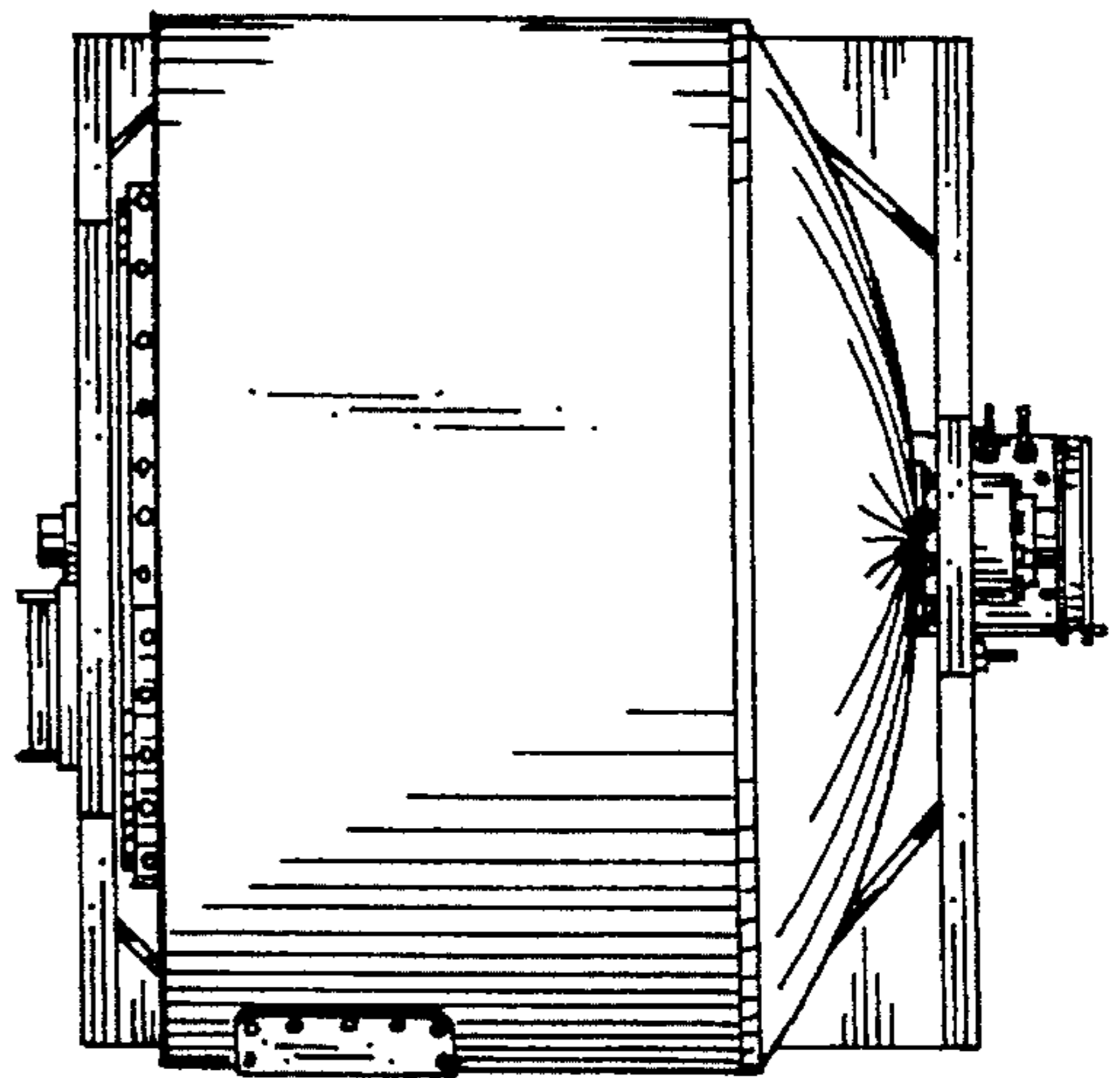


Fig. 7