



US00D363940S

**United States Patent** [19]  
**Hinklin**

[11] **Patent Number: Des. 363,940**

[45] **Date of Patent: \*\*Nov. 7, 1995**

[54] **YARD AND GARDEN TRACTOR**

[75] Inventor: **Darrell W. Hinklin**, Excelsior, Minn.

[73] Assignee: **The Toro Company**

[\*\*] Term: **14 Years**

[21] Appl. No.: **23,554**

[22] Filed: **May 26, 1994**

[52] U.S. Cl. .... **D15/15; D15/23; D15/26**

[58] Field of Search ..... **D15/14-17, 22-26;**  
**56/13.4, 16.7, 17.5, 202, 255, 294, 320.1,**  
**320.2; 180/89.1, 89.2, 900**

[56] **References Cited**

**U.S. PATENT DOCUMENTS**

|            |         |                        |         |
|------------|---------|------------------------|---------|
| D. 249,042 | 8/1978  | Hinklin .....          | D15/23  |
| D. 310,374 | 9/1990  | Westimayer et al. .... | D15/15  |
| D. 311,008 | 10/1990 | Durfee et al. ....     | D15/15  |
| D. 314,777 | 2/1991  | Crabtree et al. ....   | D15/15  |
| D. 325,208 | 4/1992  | Hosonuma .....         | D15/15  |
| D. 345,166 | 3/1994  | Kamlukin et al. ....   | D14/15  |
| D. 353,146 | 12/1994 | Yaguchi et al. ....    | D15/15  |
| 4,969,533  | 11/1990 | Holm et al. ....       | 180/273 |
| 5,209,314  | 5/1993  | Nishiyama .....        | 180/900 |
| 5,367,864  | 11/1994 | Ogasawara et al. ....  | 180/900 |

**OTHER PUBLICATIONS**

Honda Brochure, HT3810 Lawn Tractor.  
Implement. Tractor Mar. 1989 p. 13 Kubota Lawn Tractor.  
"Toro Yard Care Solutions for the 90's" brochure, Form  
#490-5442-C, 1993 copyright to The Toro Company.

"NOMA Hydrostatic Drive" advertisement, dated Feb. 1990.

"Simplicity Outdoor Power Equipment" brochure, Form #900296, 1990 copyright to Simplicity Manufacturing Inc. Kubota Diesel and Gasoline Garden Tractor brochure, Catalog #4081-01-US, printed Sep. 1991.

Kubota Lawn Tractor brochure, Catalog #2089-01-US, printed Feb. 1991.

NOMA product catalog, Form #102328, publication date unknown, but believed to be 1991.

*Primary Examiner*—Sandra L. Morris

*Attorney, Agent, or Firm*—Donald S. Trevarthen

[57] **CLAIM**

The ornamental design for a yard and garden tractor, as shown.

**DESCRIPTION**

FIG. 1 is a top, front, and left side perspective view of a yard and garden tractor showing my new design;

FIG. 2 is a left side elevational view of FIG. 1;

FIG. 3 is a top plan view of FIG. 1;

FIG. 4 is a front elevational view of FIG. 1;

FIG. 5 is a rear elevational view of FIG. 1;

FIG. 6 is a top, front and left side perspective view of a yard and garden tractor showing a second embodiment of my new design;

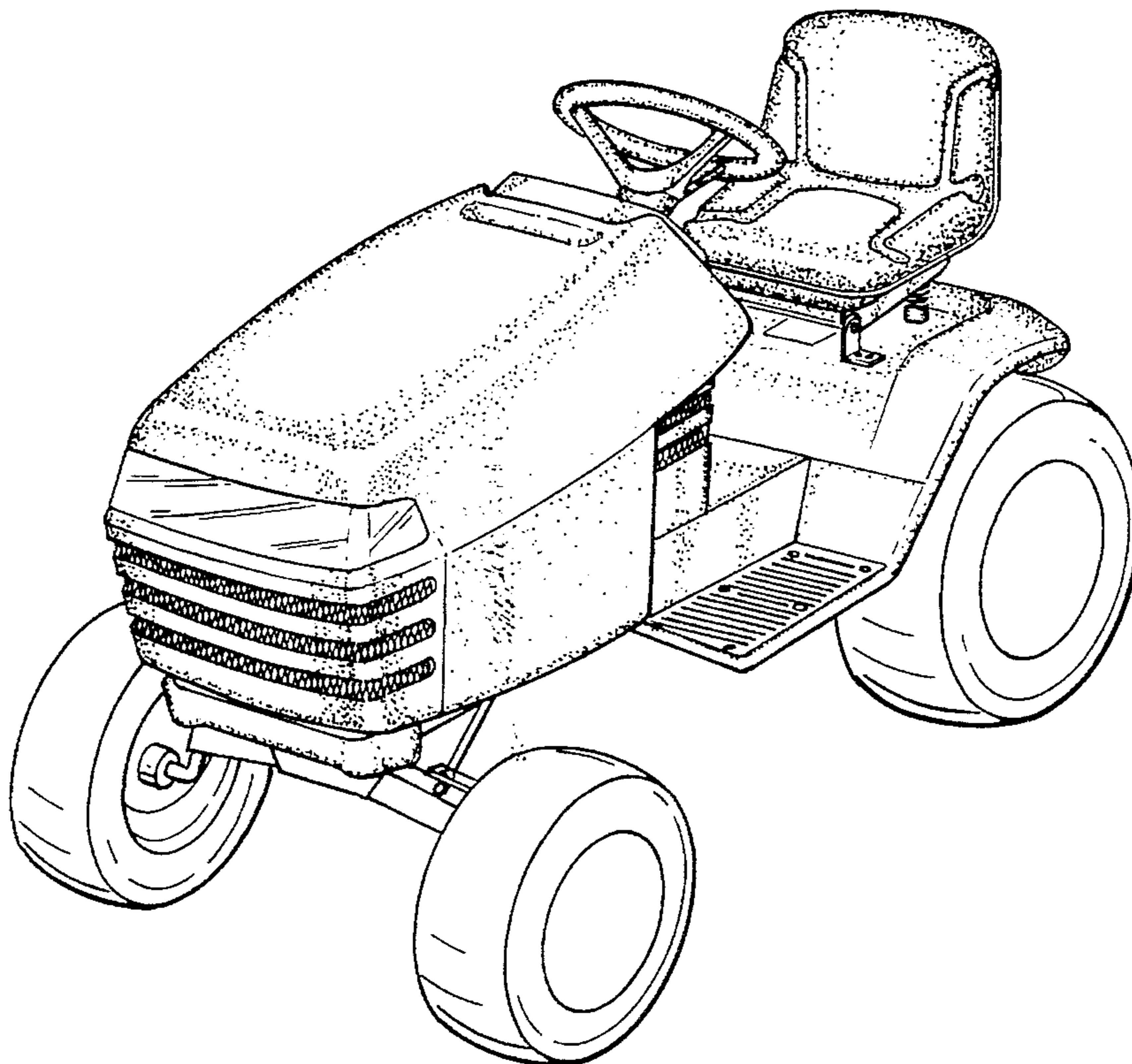
FIG. 7 is a left side elevational view of FIG. 6;

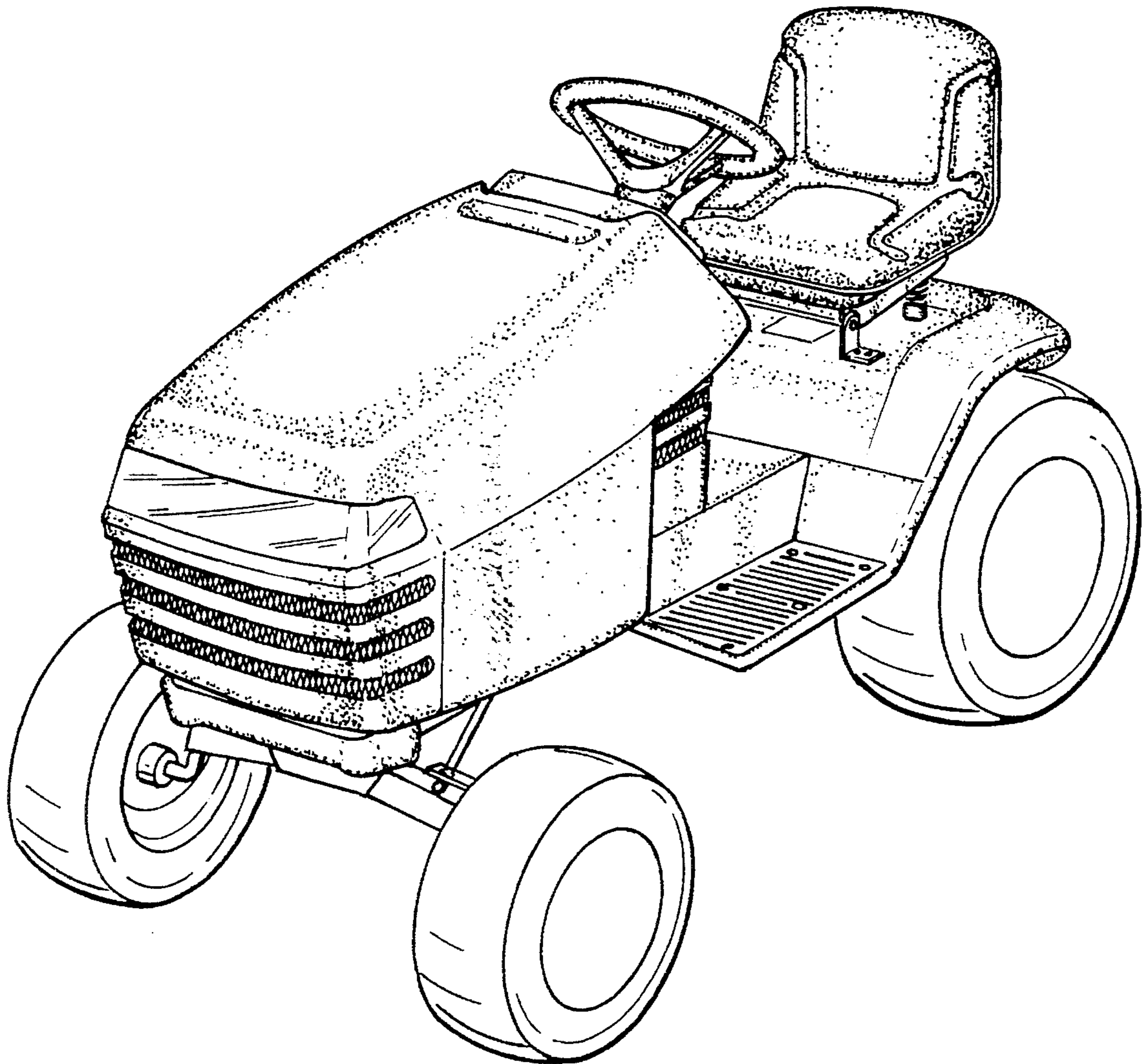
FIG. 8 is a top plan view of FIG. 6;

FIG. 9 is a front elevational view of FIG. 6; and,

FIG. 10 is a rear elevational view of FIG. 6.

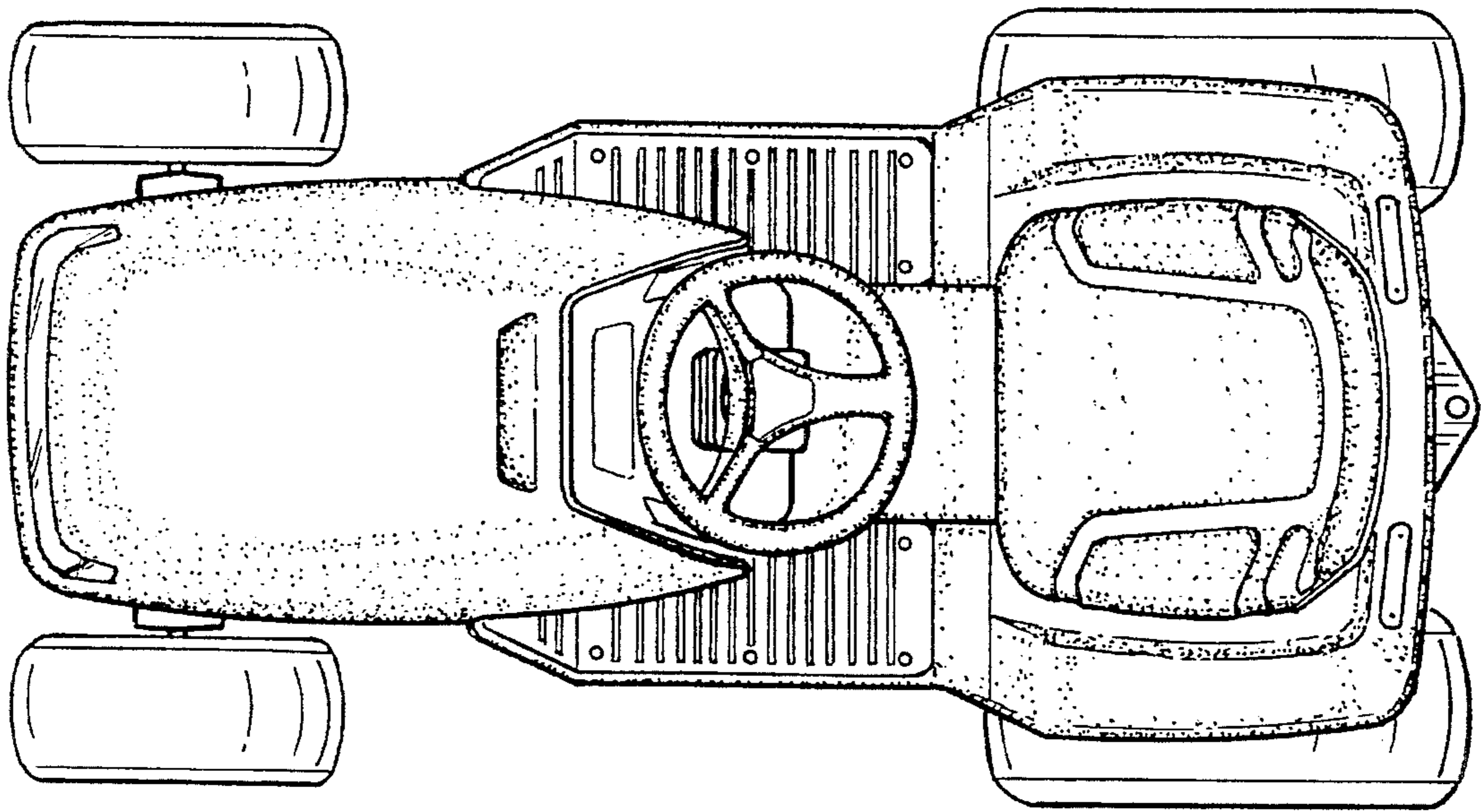
**1 Claim, 6 Drawing Sheets**



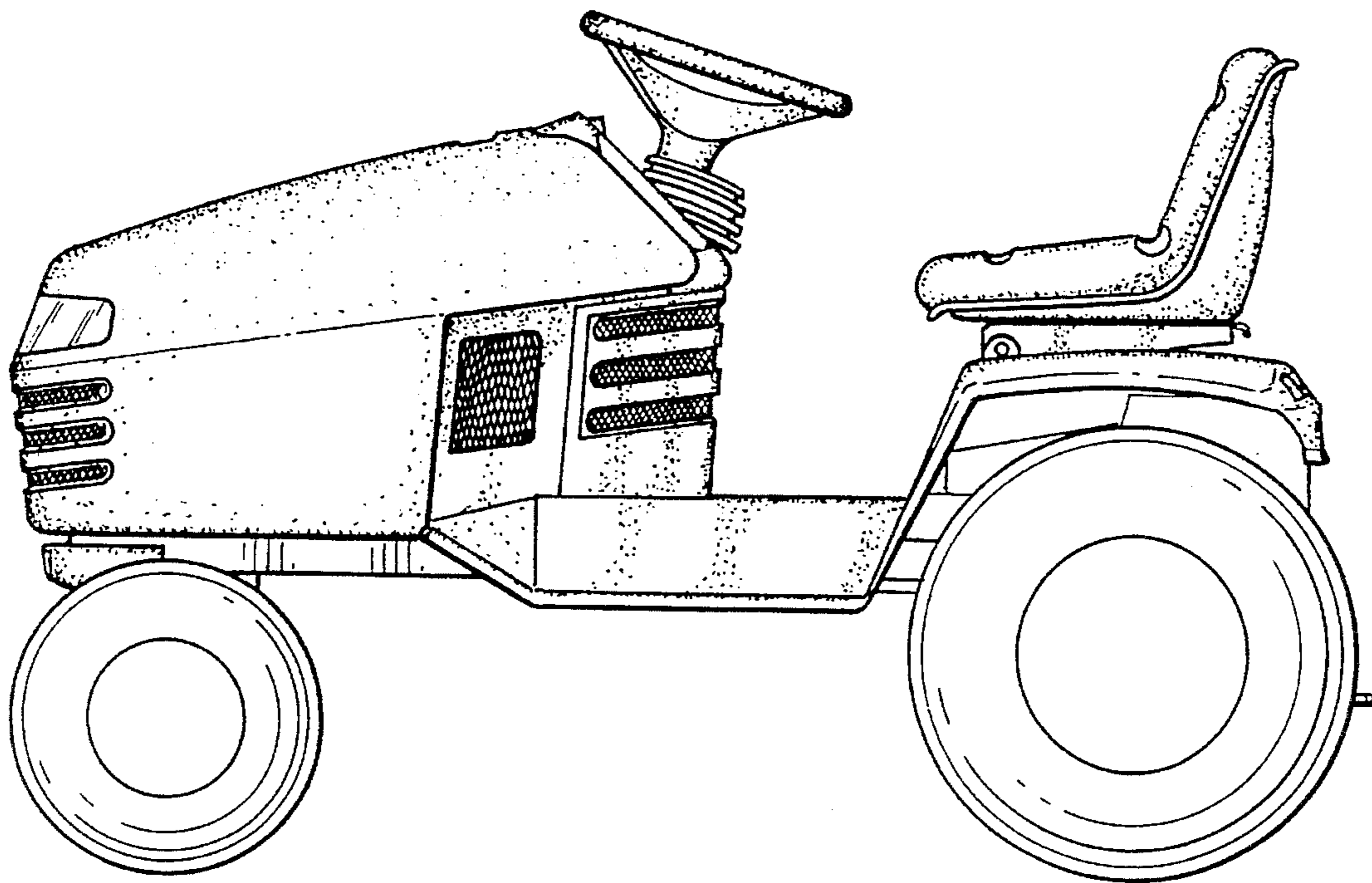


*FIG. 1*

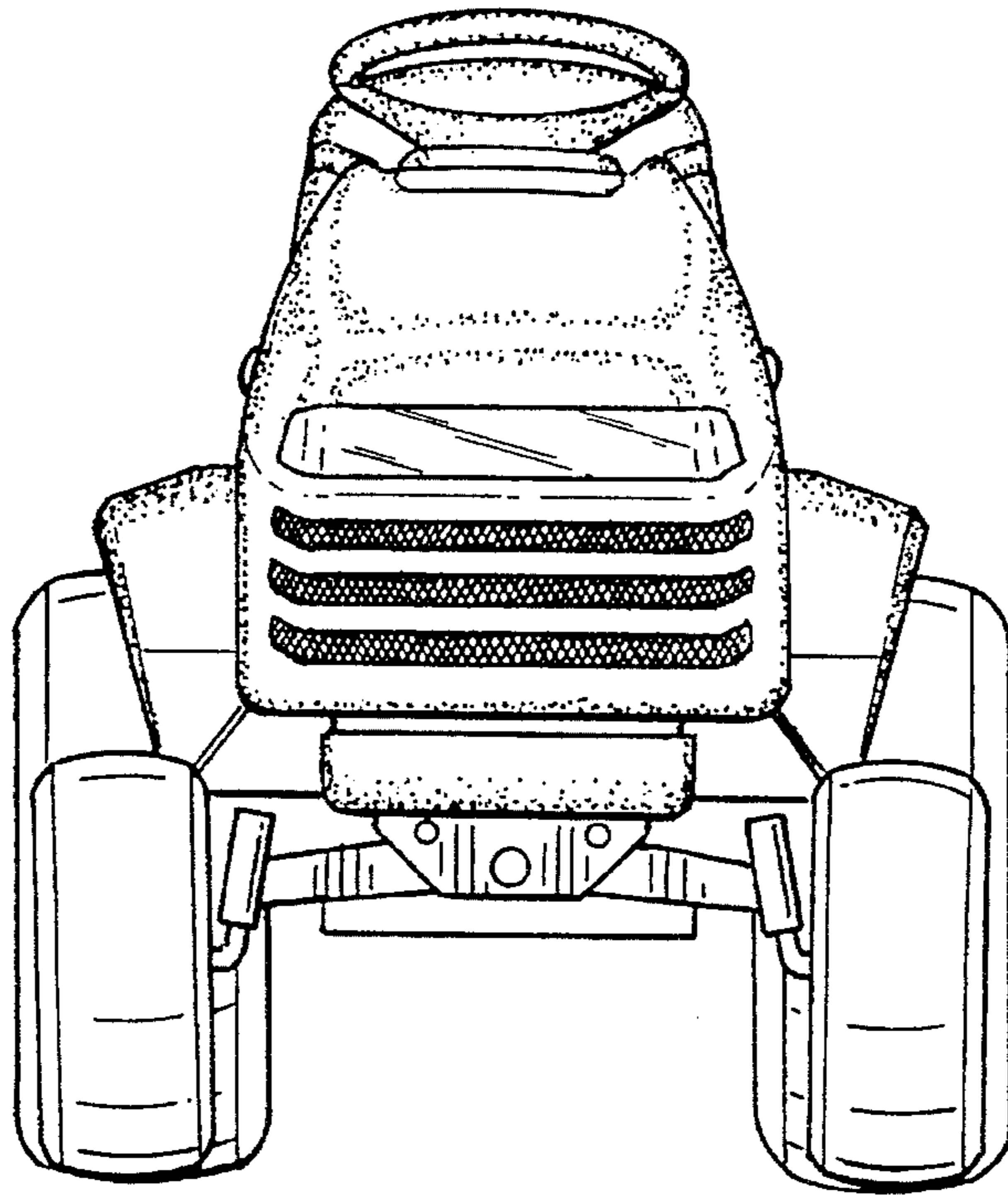




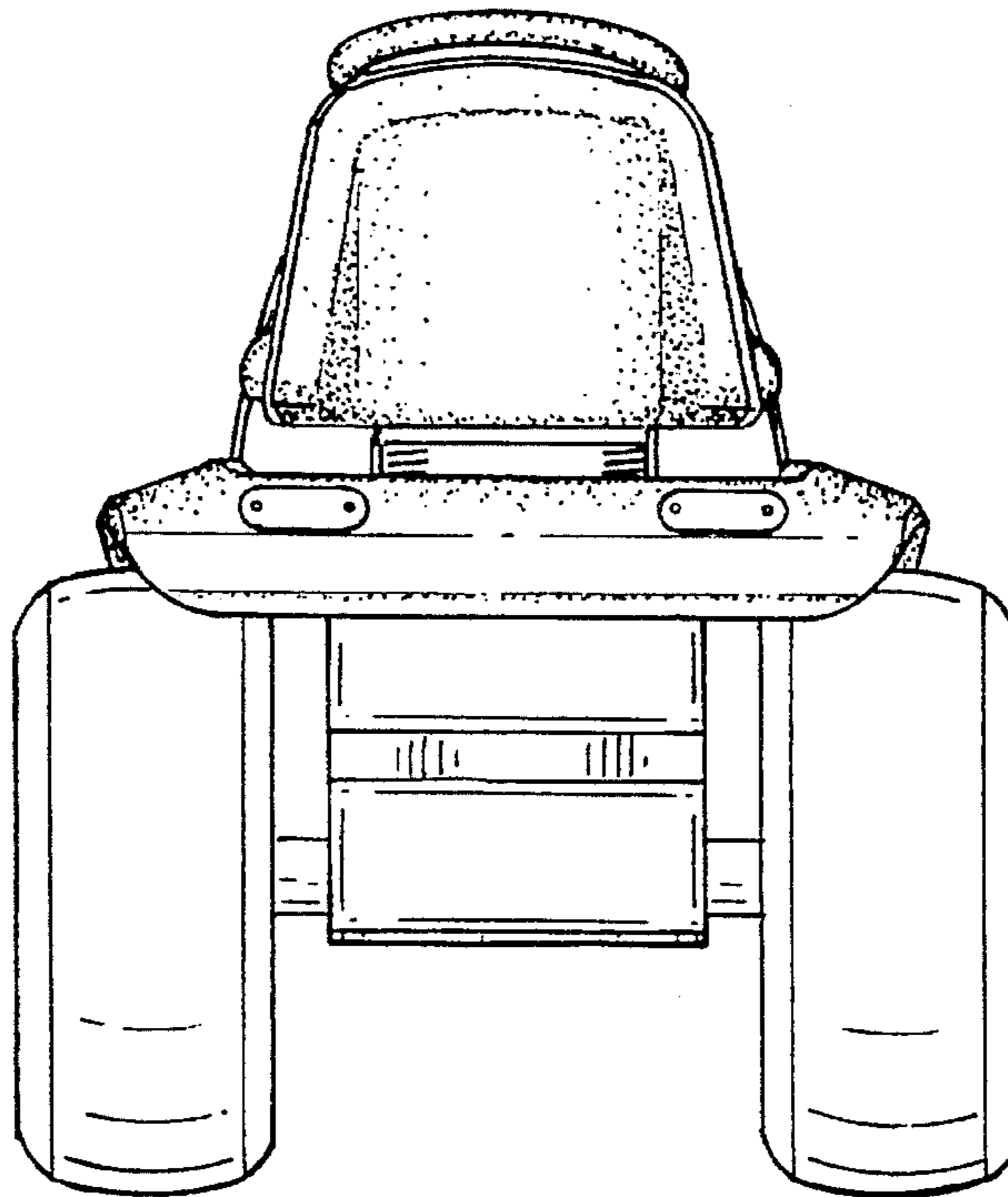
*FIG. 3*



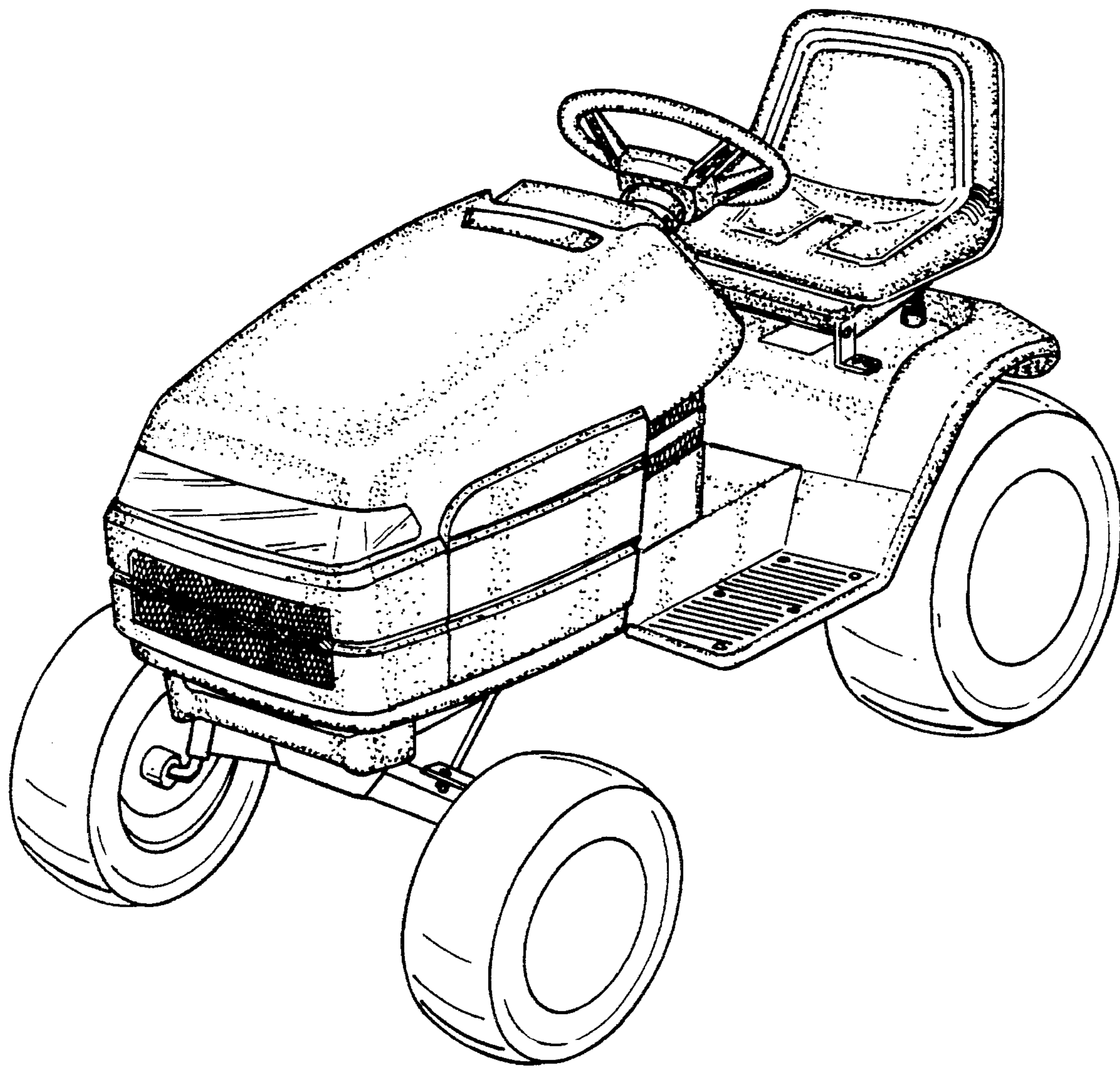
*FIG. 2*



*FIG. 4*

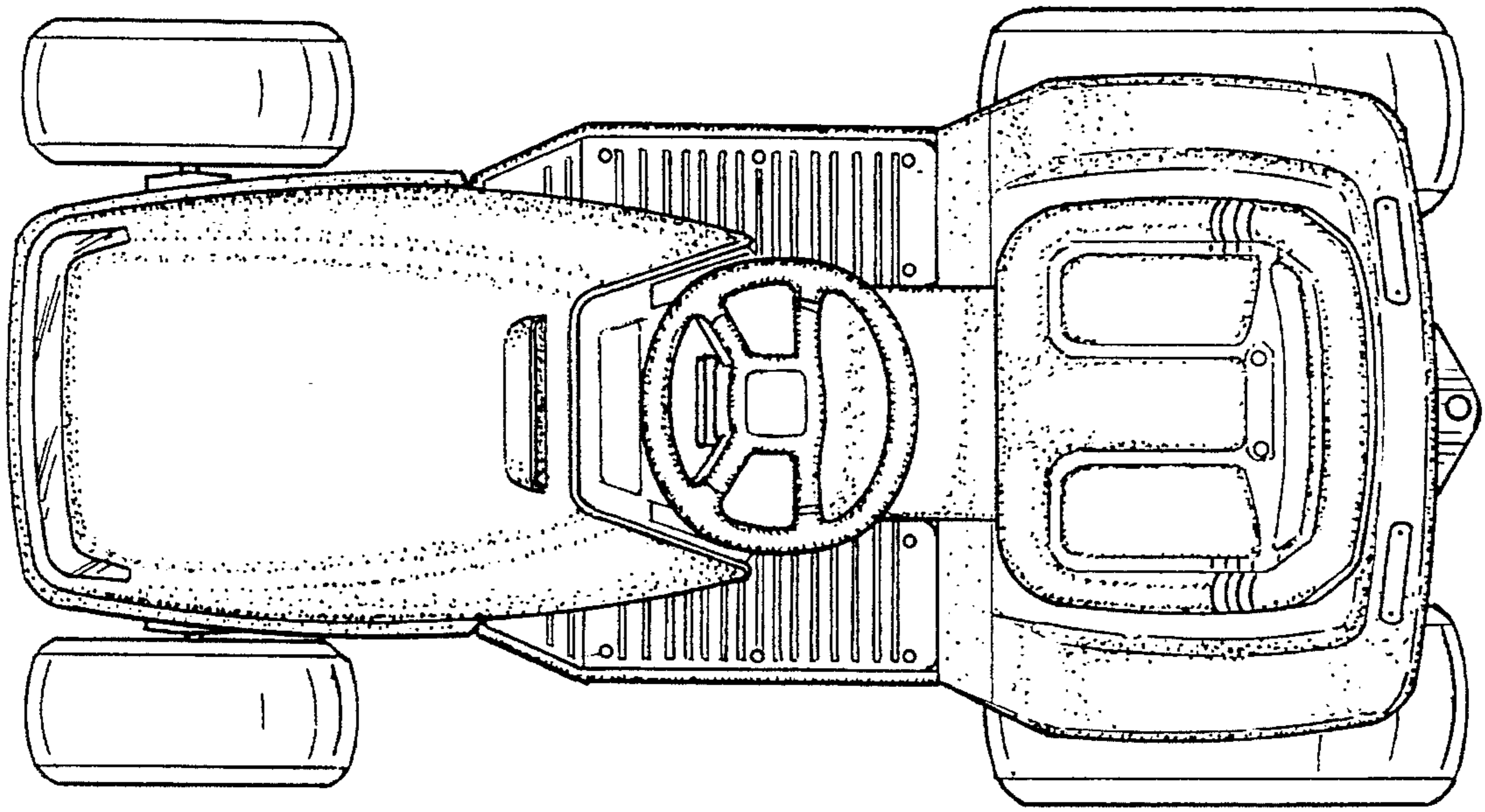


*FIG. 5*

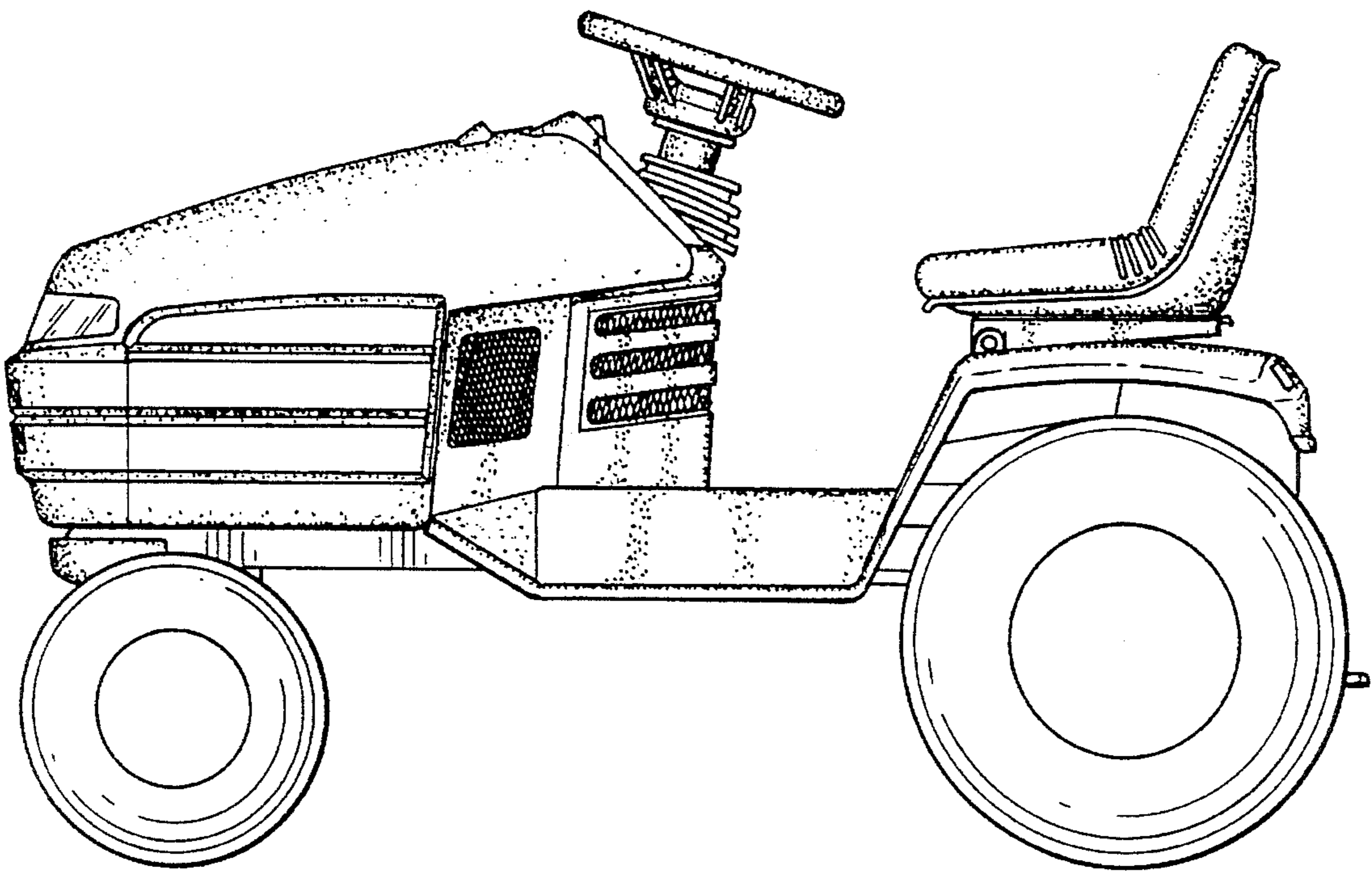


**FIG. 6**

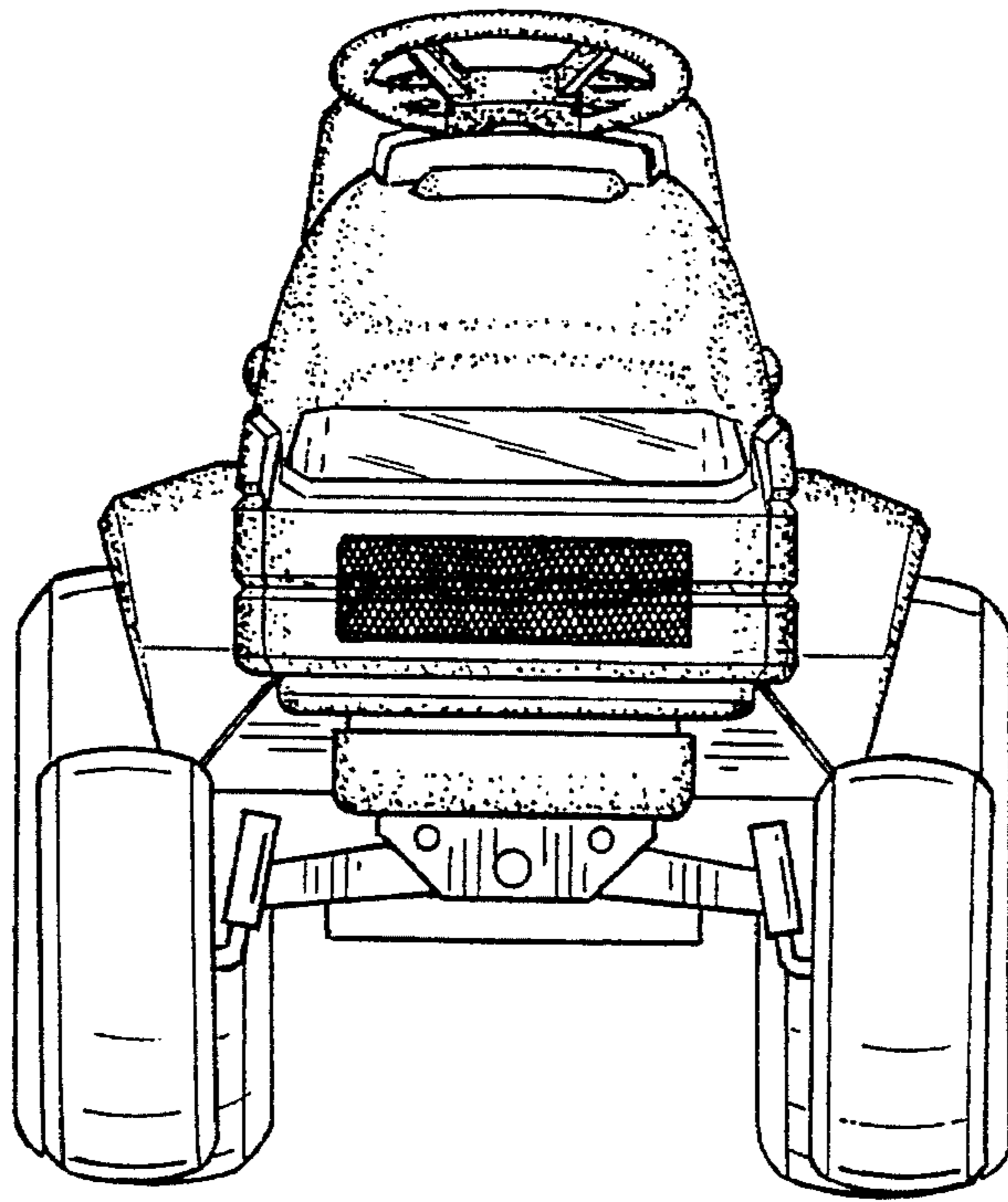




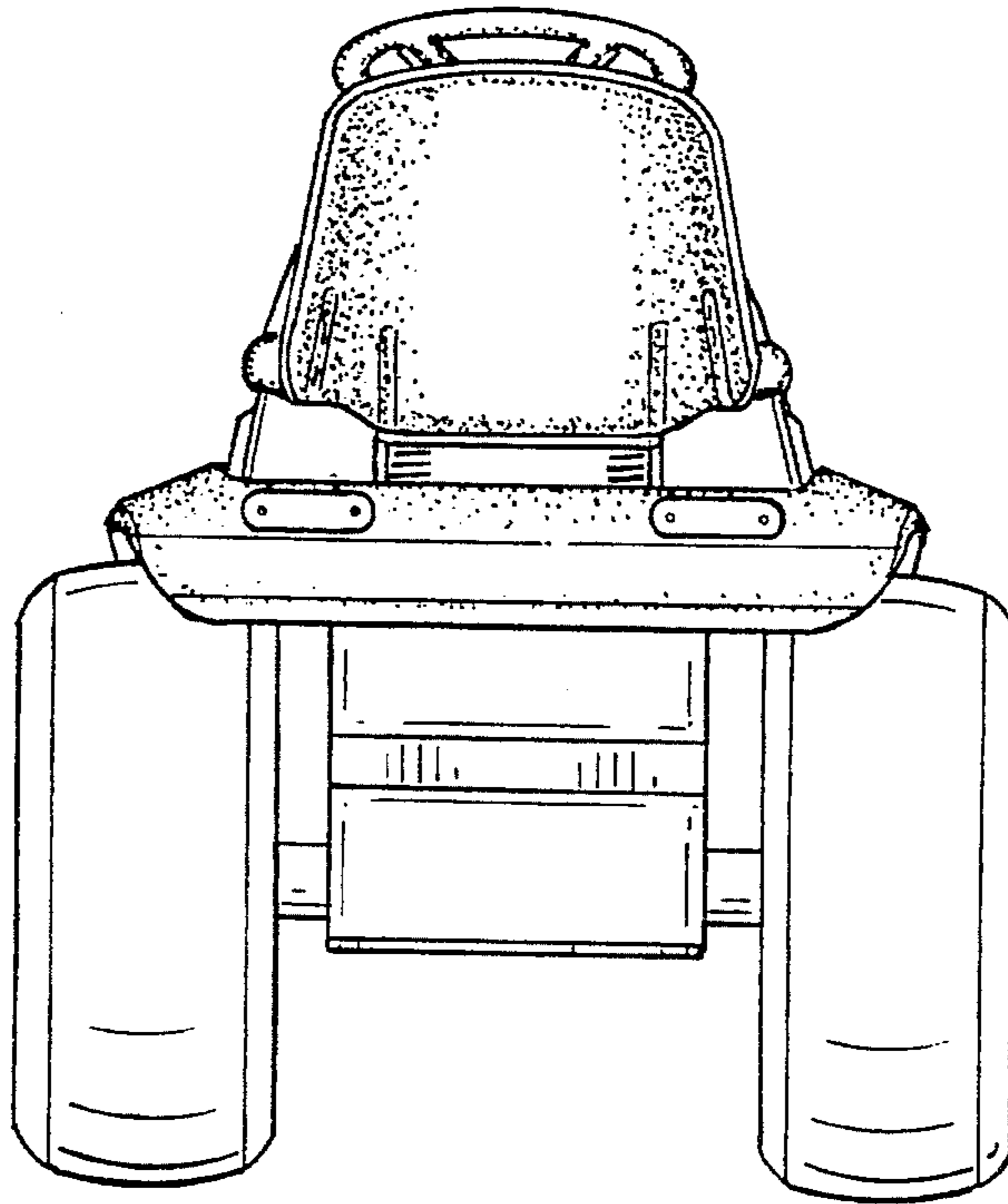
*FIG. 8*



*FIG. 7*



*FIG. 9*



*FIG. 10*