



US00D363939S

United States Patent [19]

Kato et al.

[11] Patent Number: **Des. 363,939**

[45] Date of Patent: ****Nov. 7, 1995**

[54] **RIDING MOWER**

[75] Inventors: **Hisato Kato; Hiroyuki Ogasawara,**
both of Sakai, Japan

[73] Assignee: **Kubota Corporation,** Osaka, Japan

[**] Term: **14 Years**

[21] Appl. No.: **22,395**

[22] Filed: **May 4, 1994**

[30] **Foreign Application Priority Data**

Nov. 9, 1993 [JP] Japan 5-33991

[52] U.S. Cl. **D15/15**

[58] Field of Search D15/14-17, 23,
D15/26; 56/13.3, 13.4, 15.8, 15.9, 16.1,
16.7, 175, 202, 255, 294, 320.1, 320.2;
180/89.1, 89.2, 900

[56] **References Cited**

U.S. PATENT DOCUMENTS

- D. 248,397 7/1978 Cognata et al. D15/15
- D. 297,538 9/1988 Ogasawara et al. D15/15
- D. 310,374 9/1990 Westimayer et al. D15/15
- D. 311,008 10/1990 Durfee et al. D15/15
- D. 314,777 2/1991 Crabtree et al. D15/15

- D. 325,183 4/1992 Nishikawa et al. D15/15
- D. 345,166 3/1994 Kamlukin et al. D15/15
- D. 353,146 12/1994 Yaguchi et al. D15/15
- 5,209,314 5/1993 Nishiyama 180/900
- 5,367,864 11/1994 Ogasawara et al. 180/900

OTHER PUBLICATIONS

Honda Brochure, HT3810 10Hp Lawn Tractor, bottom.
Implement Tractor, Mar. 1989, p. 13 Kubota Lawn Tractor,
bottom.

Primary Examiner—Sandra Morris
Attorney, Agent, or Firm—Jordan and Hamburg

[57] **CLAIM**

The ornamental design of a riding mower, as shown and described.

DESCRIPTION

FIG. 1 is a left side view of a riding mower, showing our new design;
FIG. 2 is a right side view thereof;
FIG. 3 is a front view thereof;
FIG. 4 is a rear view thereof;
FIG. 5 is a top plan view thereof; and,
FIG. 6 is a bottom plan view thereof.

1 Claim, 6 Drawing Sheets

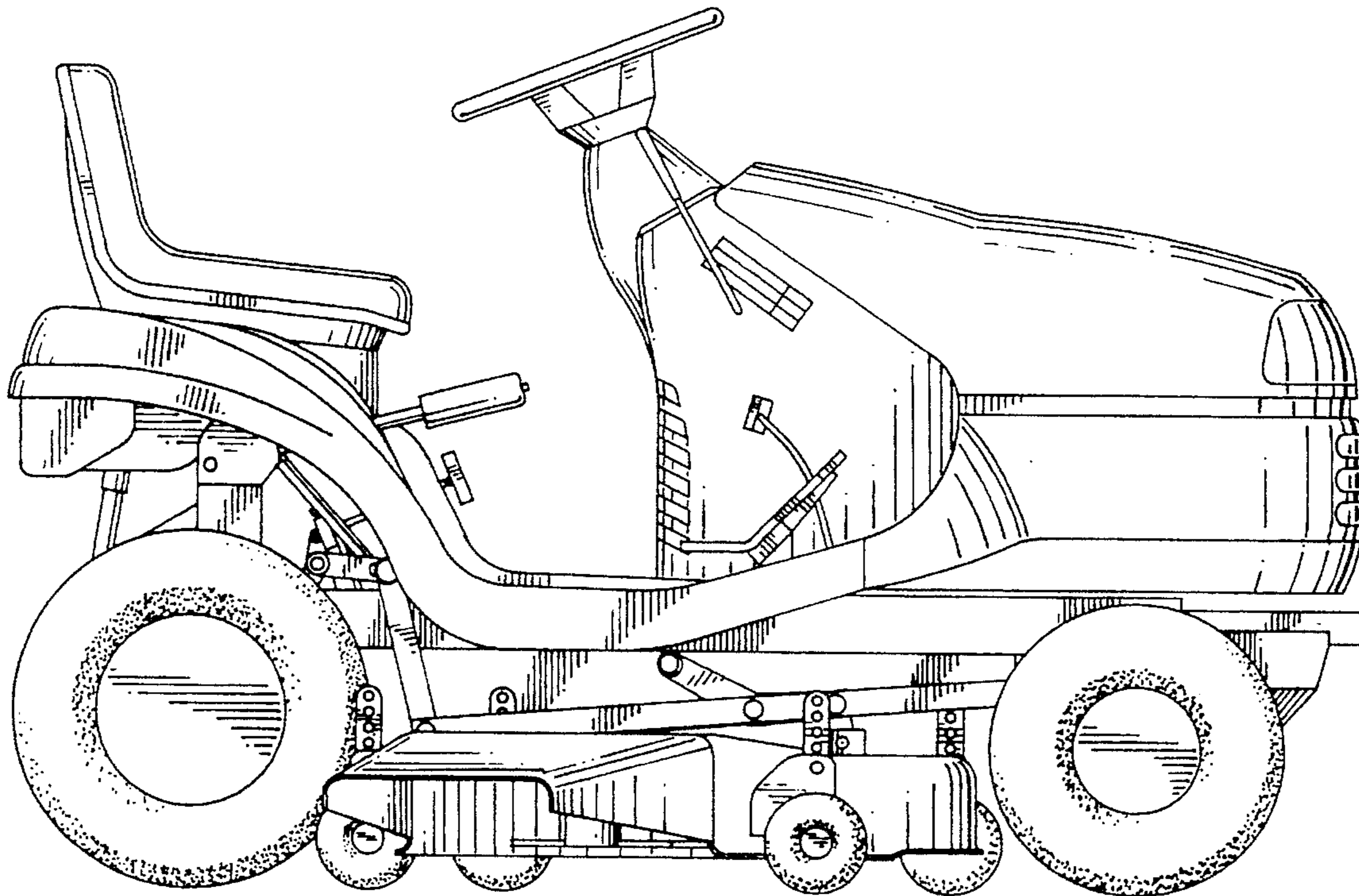


FIG. 1

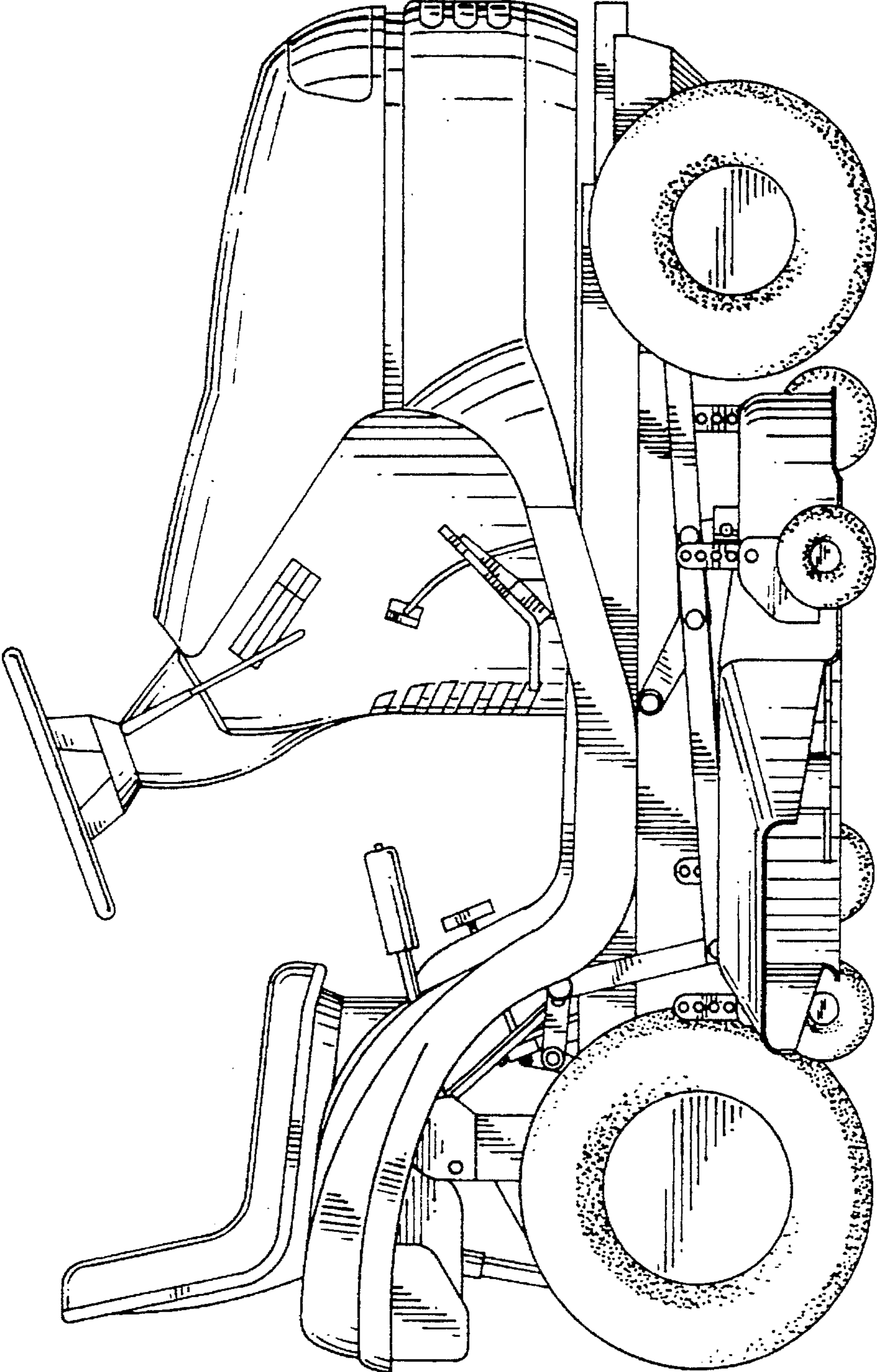


FIG. 2

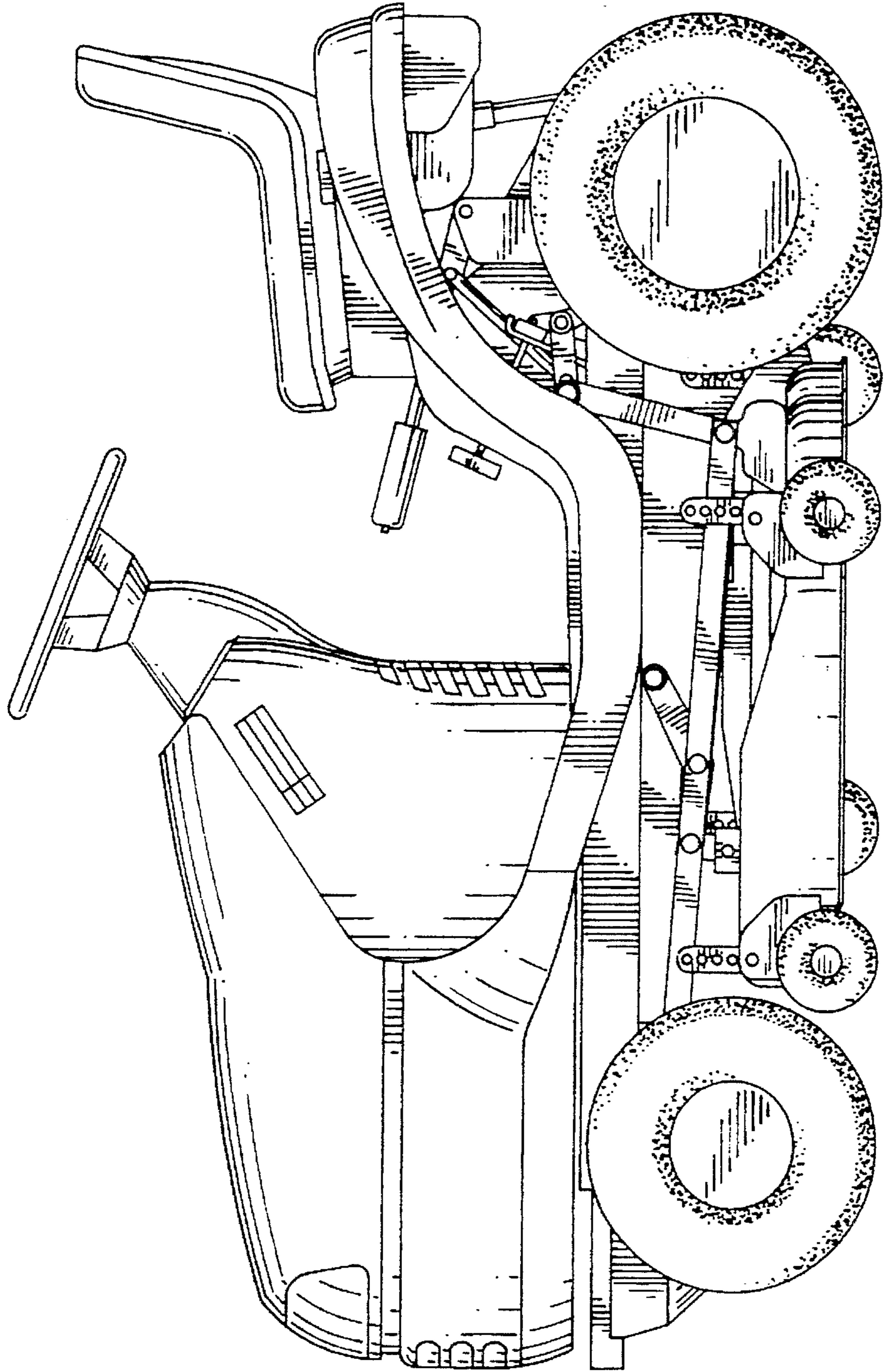


FIG. 3

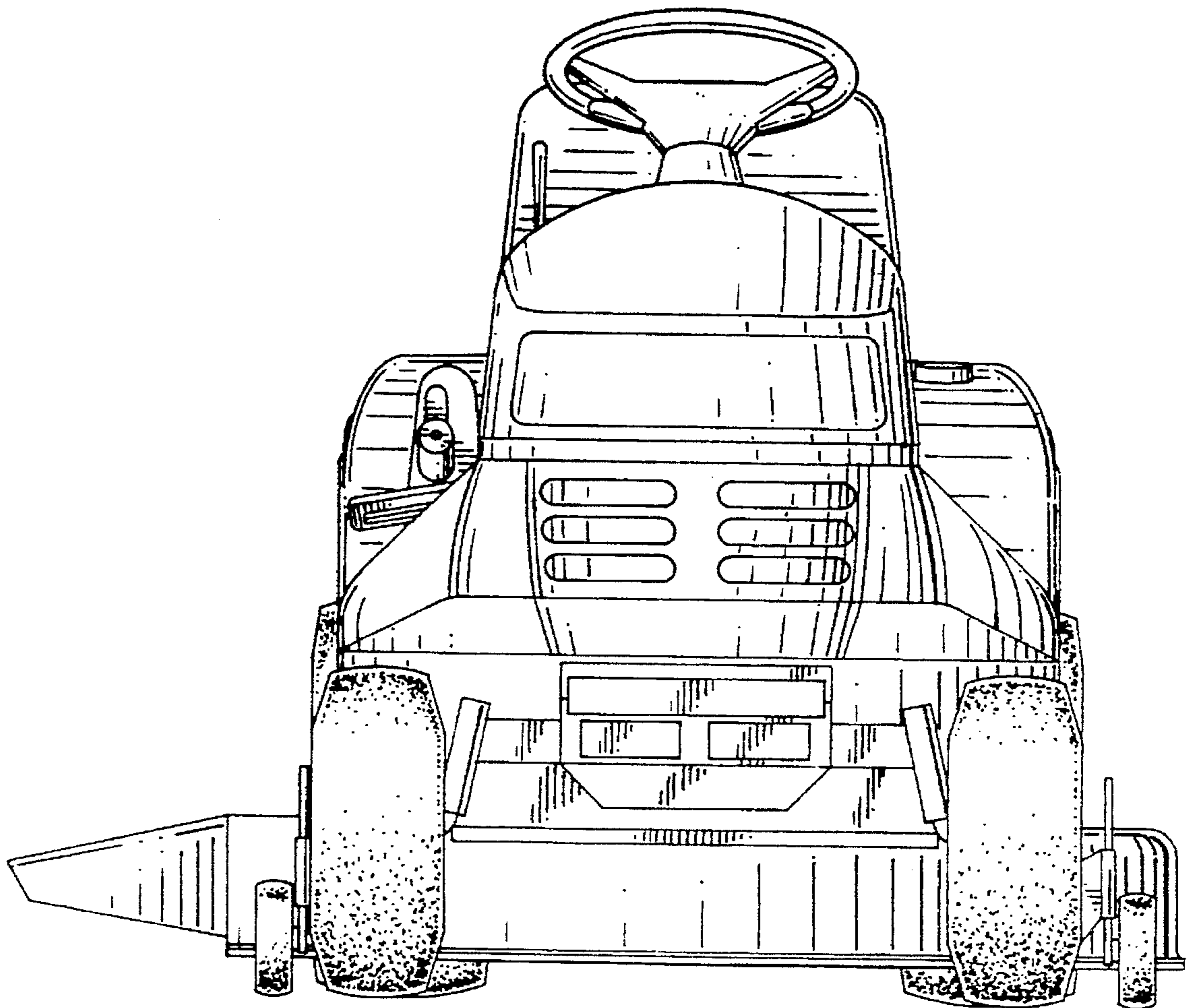


FIG. 4

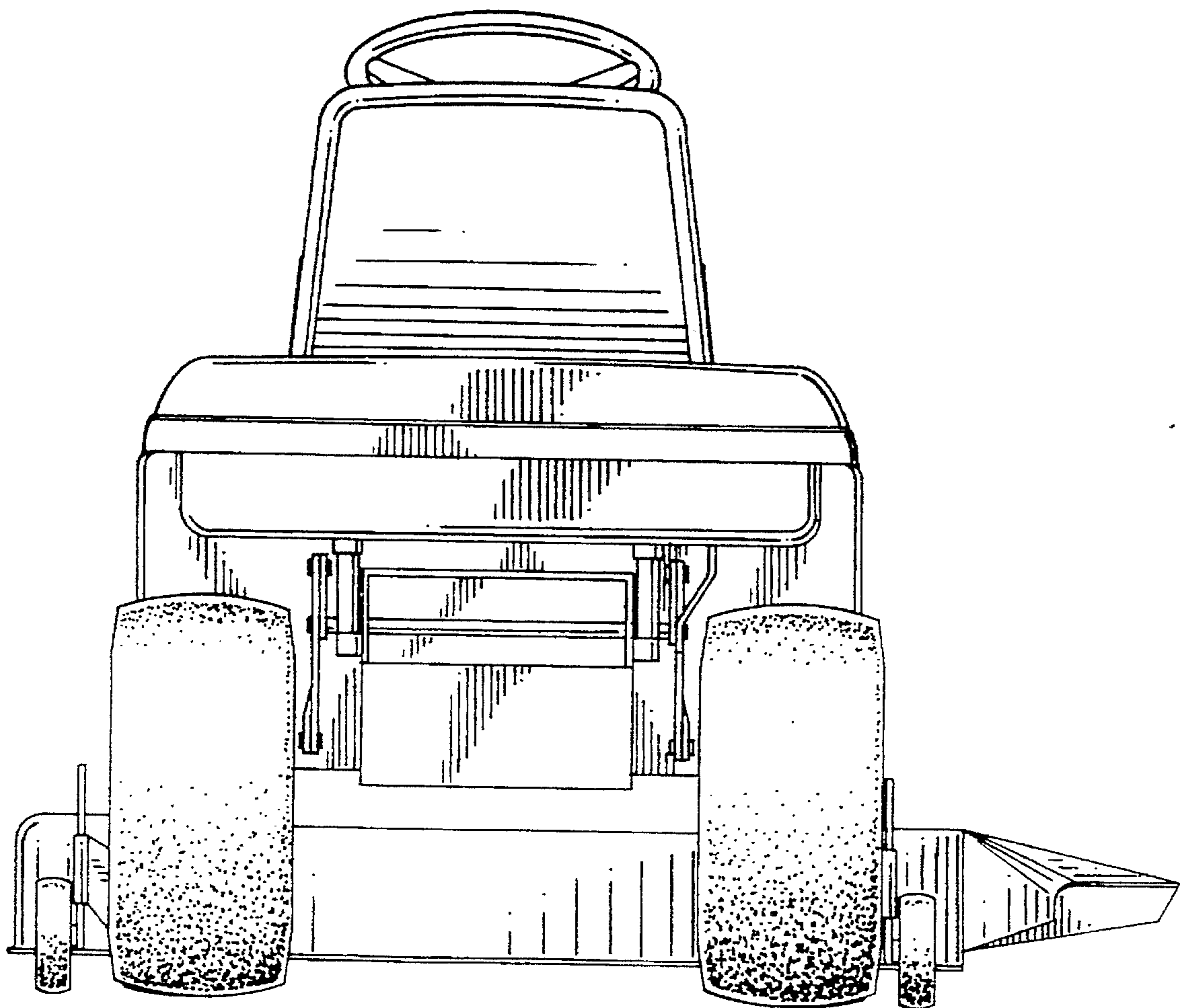


FIG. 5

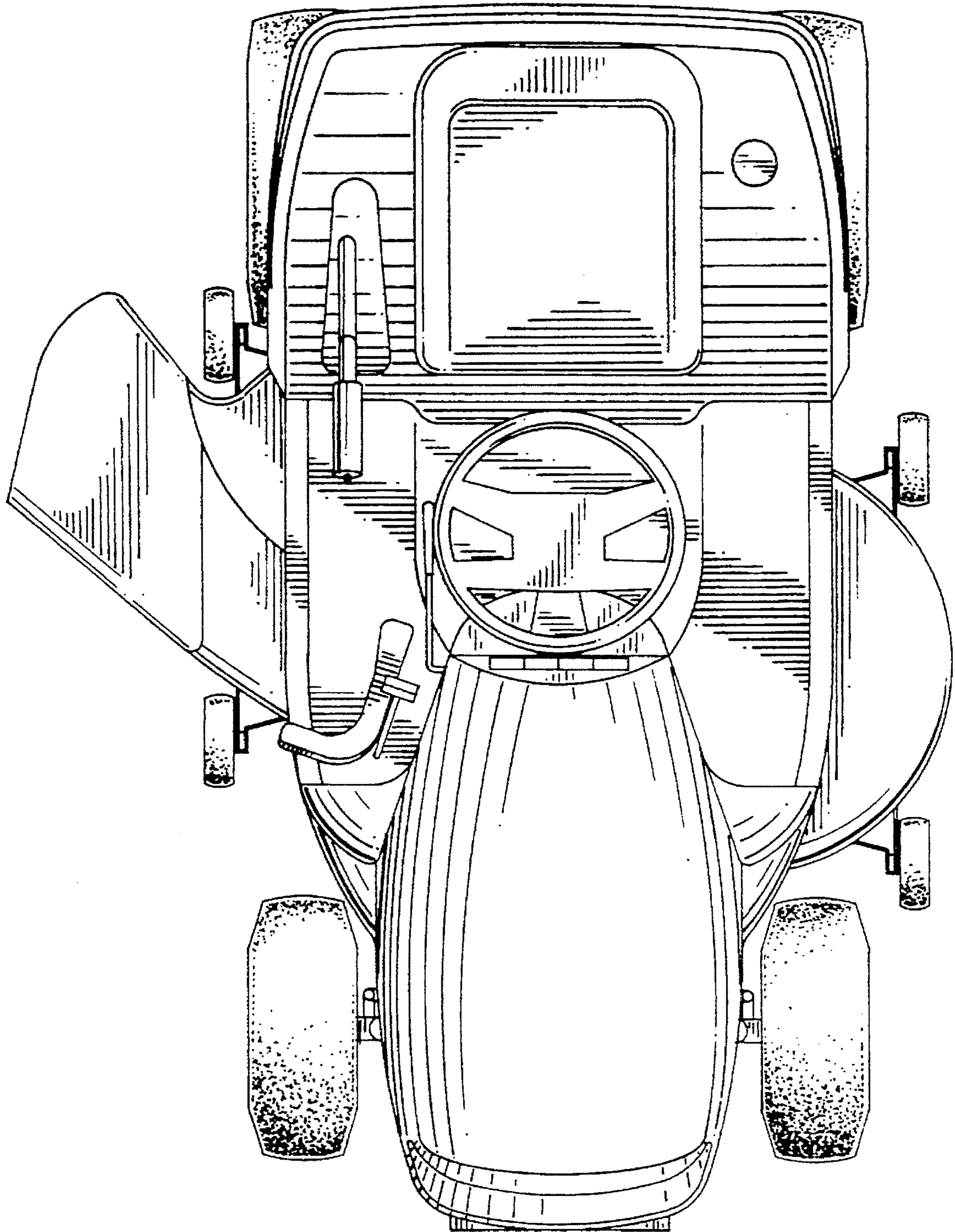


FIG. 6

