



US00D363936S

# United States Patent [19]

[11] **Patent Number:** **Des. 363,936**

**Nysether et al.**

[45] **Date of Patent:** **\*\*Nov. 7, 1995**

[54] **ANTENNA MOUNT**

4,161,735 7/1979 Zylla ..... 343/713

4,209,788 6/1980 Plantier ..... 343/713

4,546,949 10/1985 Millett et al. .... 248/514

[76] Inventors: **Mark A. Nysether; John R. Brown,**  
both of P.O. Box 479, Everett, Wash.  
98206

### OTHER PUBLICATIONS

“Banten Antenne Radio,” product catalog, 1992.

[\*\*] Term: **14 Years**

*Primary Examiner*—Dominic Simone

[21] Appl. No.: **35,054**

*Attorney, Agent, or Firm*—Christensen, O'Connor, Johnson  
& Kindness

[22] Filed: **Feb. 17, 1995**

### [57] CLAIM

### Related U.S. Application Data

The ornamental design for an antenna mount, as shown and described.

[62] Division of Ser. No. 6,496, Mar. 31, 1993, Pat. No. Des.  
357,922.

### DESCRIPTION

[52] **U.S. Cl.** ..... **D14/238**

[58] **Field of Search** ..... D8/396; D14/230-238;  
248/514, 535, 539, 230, 218.4; 343/713,  
715, 725, 880, 882

FIG. 1 is a top front perspective view of an antenna mount showing our new design;

FIG. 2 is a front elevational view thereof;

FIG. 3 is a rear elevational view thereof;

FIG. 4 is a right side elevational view thereof, the left side elevational view being of the right side elevational view;

FIG. 5 is a top plan view thereof; and,

FIG. 6 is a bottom plan view thereof.

### [56] References Cited

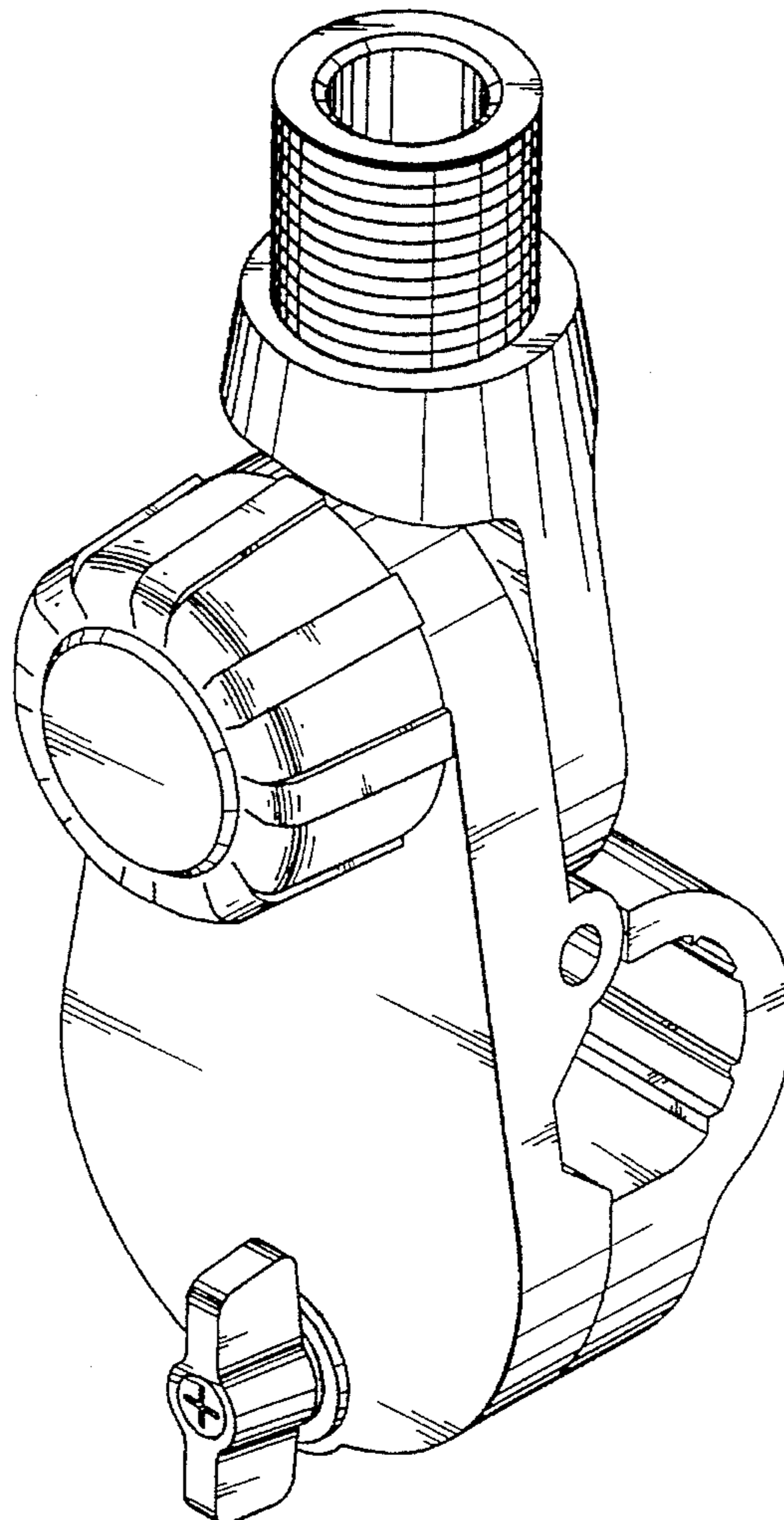
#### U.S. PATENT DOCUMENTS

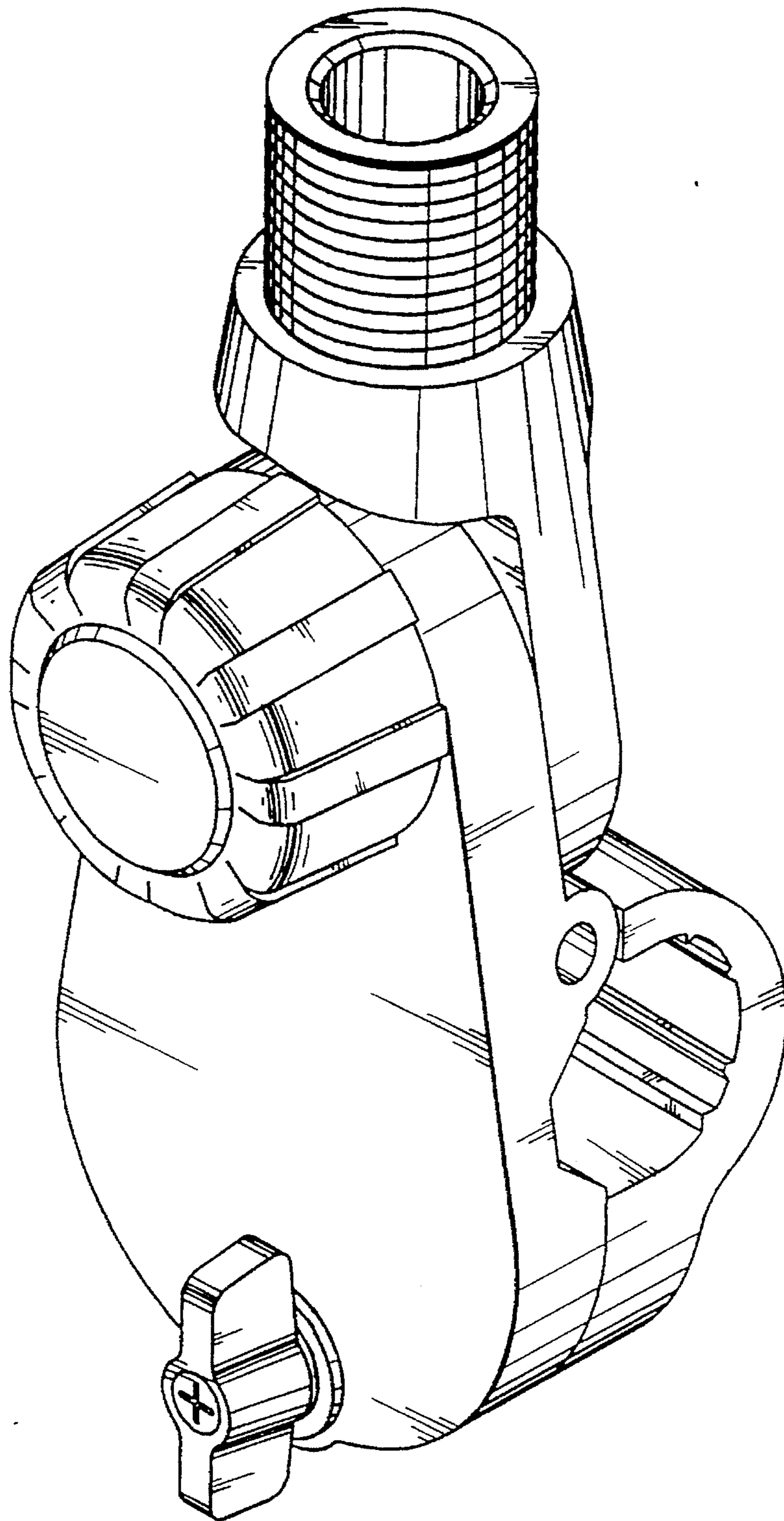
3,003,149 1/1961 Grashow ..... 343/725

3,545,148 12/1970 Mandino ..... 52/110

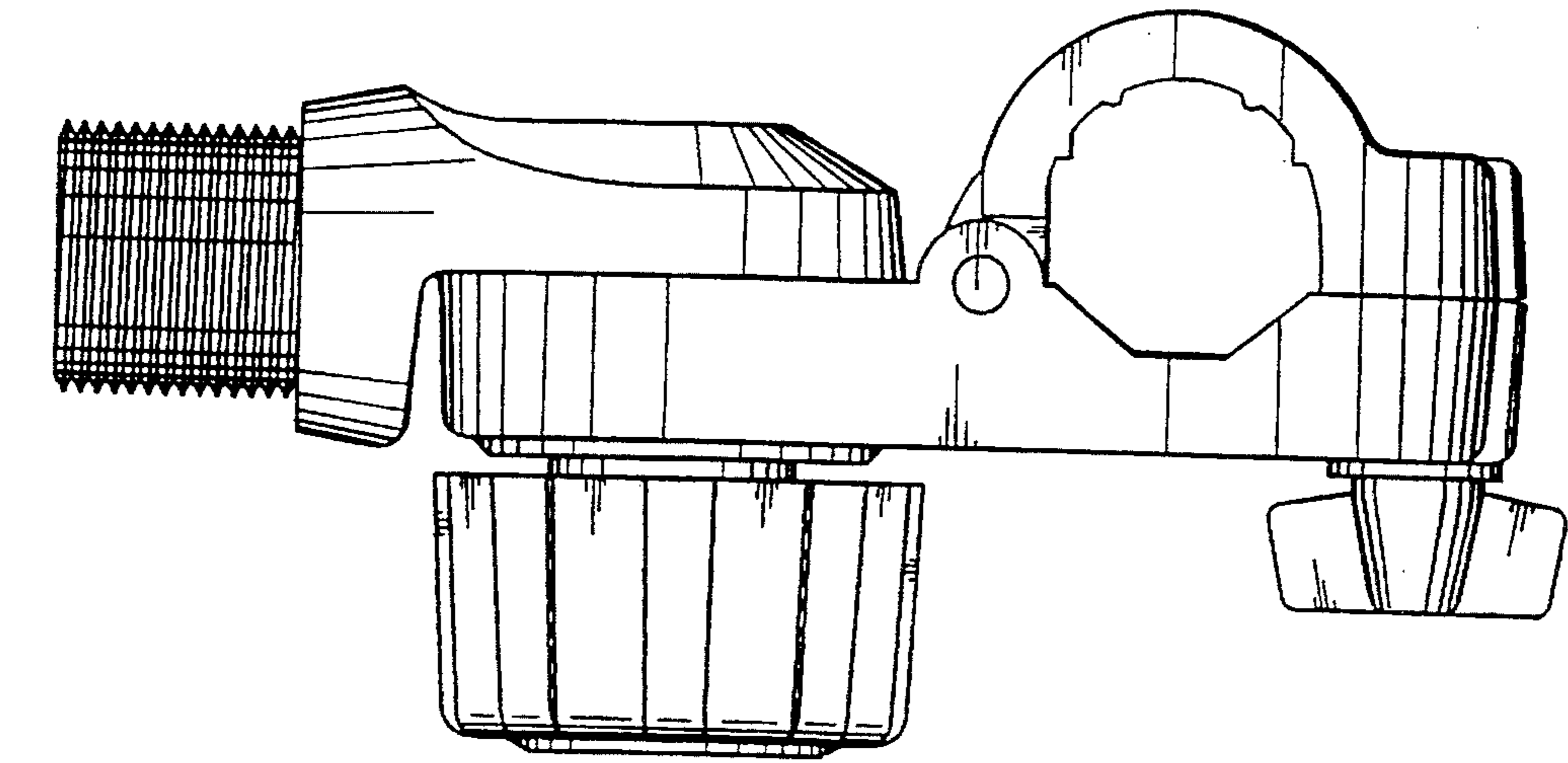
4,114,159 9/1978 Verini ..... 343/715

**1 Claim, 3 Drawing Sheets**

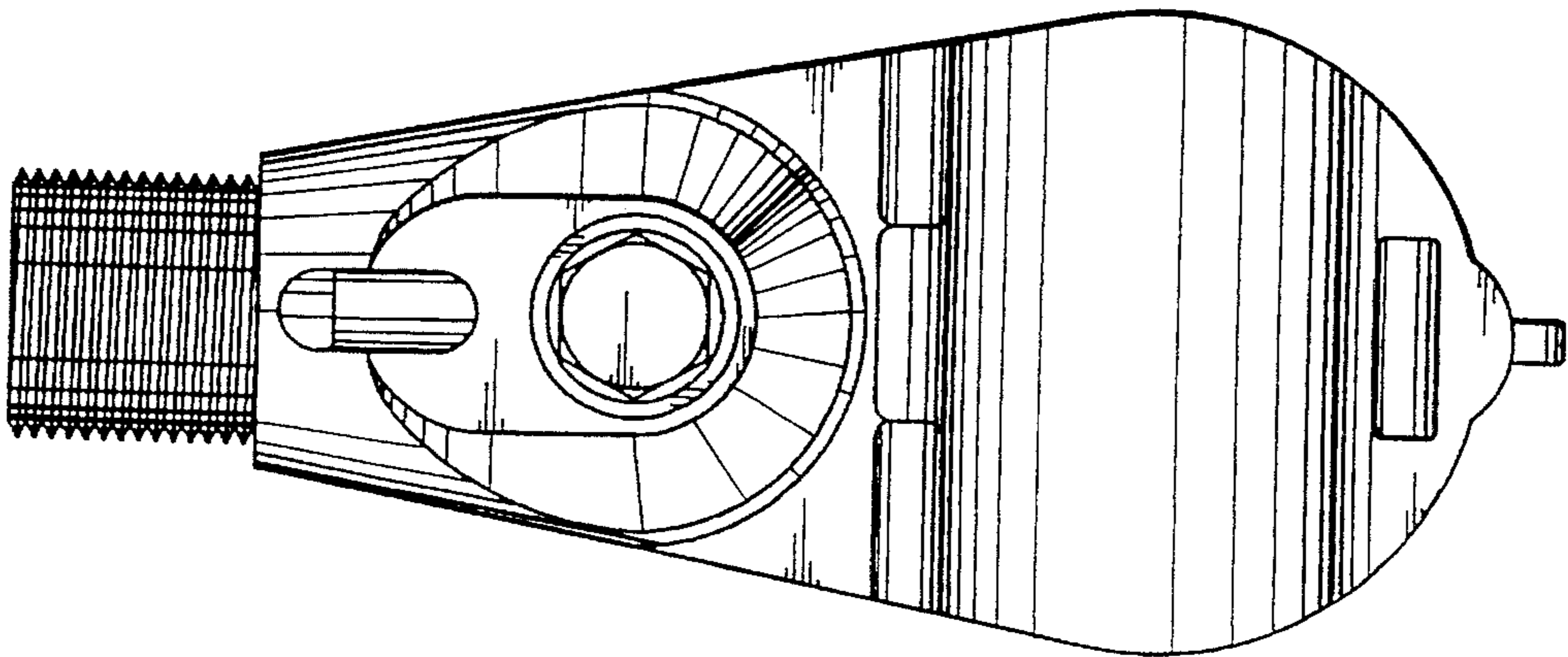




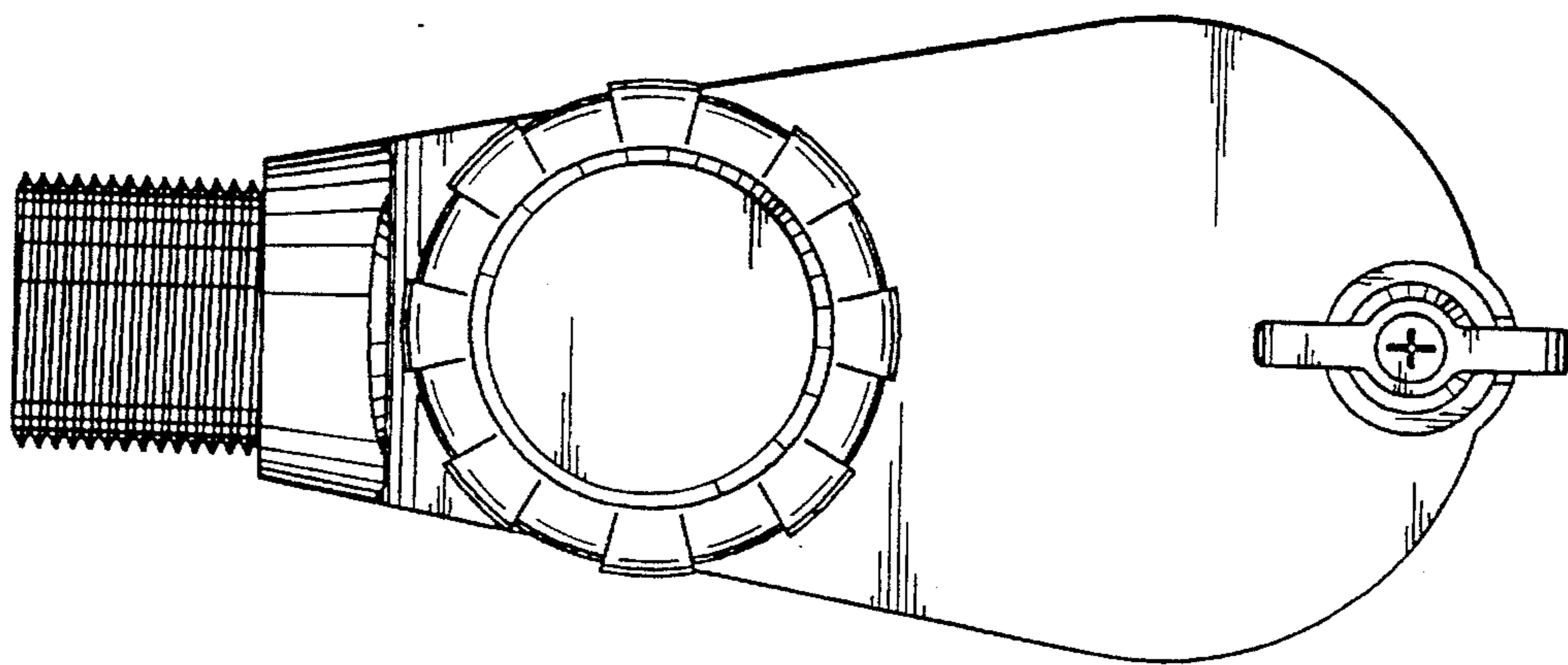
*Fig. 1.*



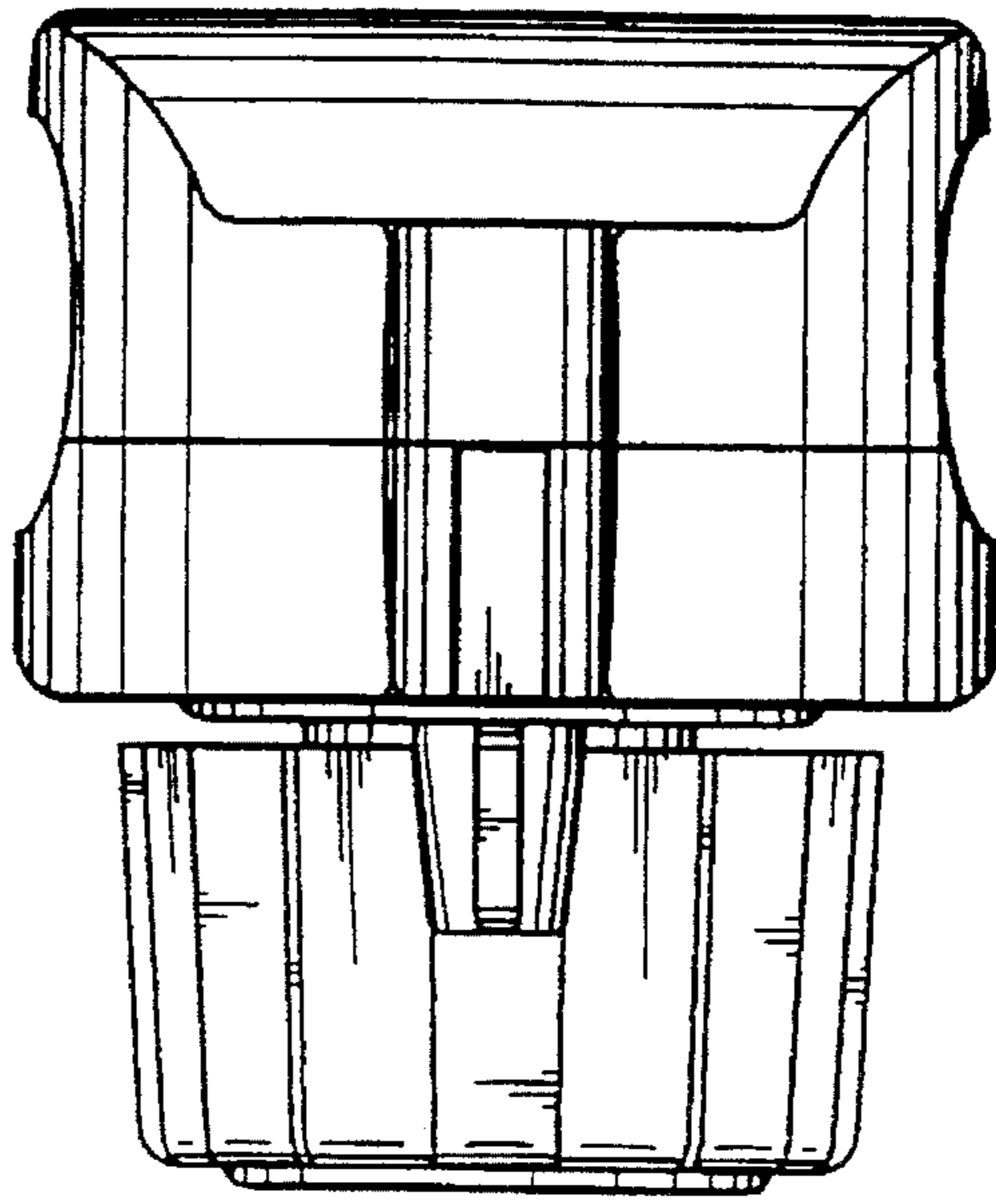
*Fig. 4.*



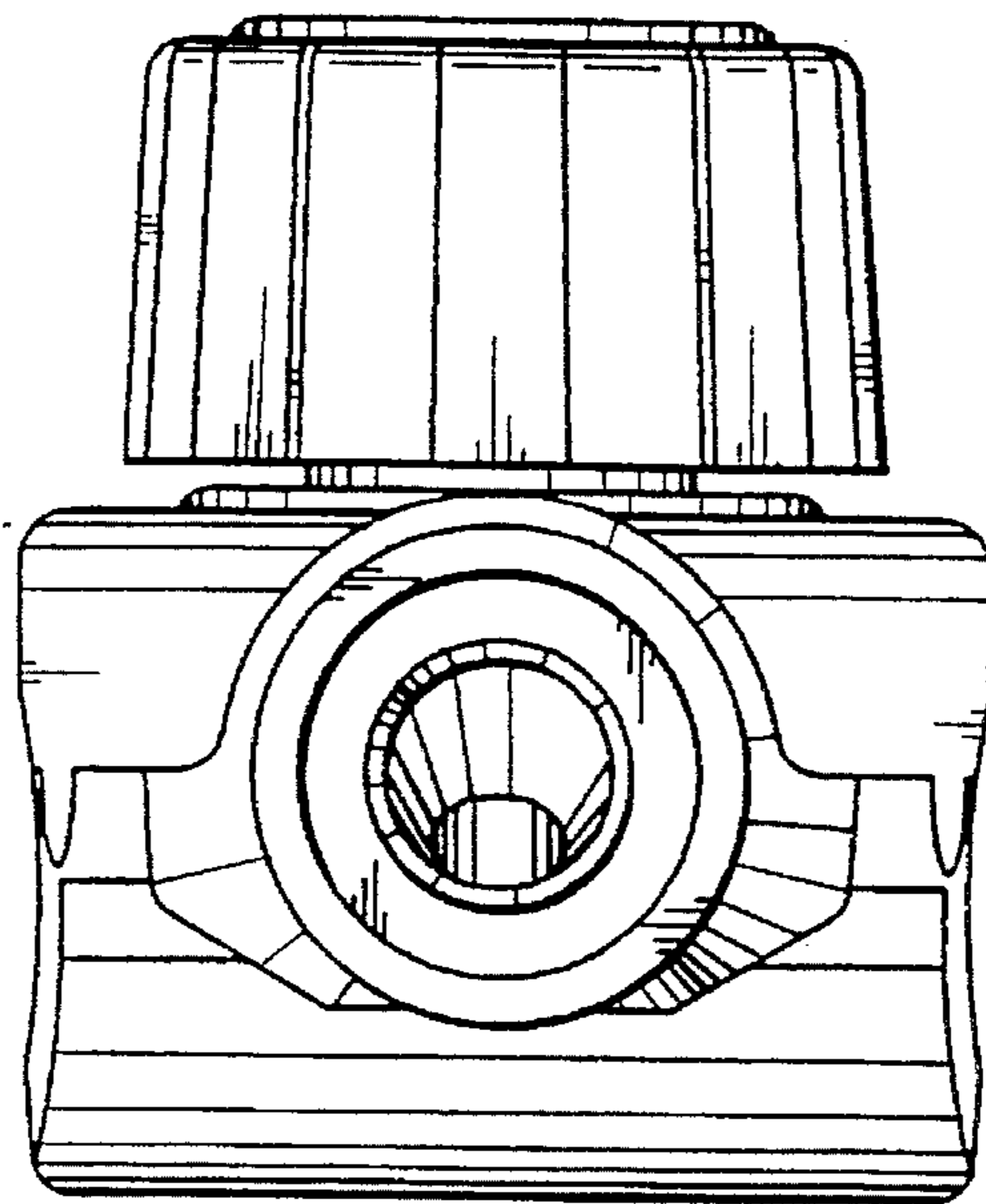
*Fig. 3.*



*Fig. 2.*



*Fig. 5.*



*Fig. 6.*