



US00D363934S

United States Patent [19]

[11] Patent Number: Des. 363,934

Pratt et al.

[45] Date of Patent: **Nov. 7, 1995

[54] HELMET ATTACHMENT FOR A MICROPHONE

[75] Inventors: **David S. Pratt**, San Jose; **Philip Bourgeois**, Woodside; **Edward J. Cornelius, III**, San Francisco; **Chin H. Lee**, Palo Alto; **Blaise G. Stoltenberg**, Oakland, all of Calif.

[73] Assignee: **Setcom Corporation**, Mountain View, Calif.

[**] Term: **14 Years**

[21] Appl. No.: **26,673**

[22] Filed: **Aug. 8, 1994**

[52] U.S. Cl. **D14/229**

[58] Field of Search D14/205, 206, D14/217, 221, 223-229; 181/129, 158; 381/169, 183, 187

[56] References Cited

U.S. PATENT DOCUMENTS

D. 247,115	1/1978	Cox et al.	D14/229
D. 310,083	8/1990	Lazzeroni et al.	D14/229
3,190,974	6/1965	Vasicek	381/169
4,788,724	12/1988	Lazzeroni et al. .	
5,185,807	2/1993	Bergin et al.	181/129 X

OTHER PUBLICATIONS

Carter Engineering Co., Inglewood, Calif. Pilot Helment Brochure.

Shiba Industries, Ltd., Communication Receiver/Microphone Brochure.

Gentex Corporation Carbondale, Pa.; Helment Brochure.

J&M Corporation, Helmet Headset Brochure, 1990.

Primary Examiner—Ted Shooman

Assistant Examiner—Nanda Bondade

Attorney, Agent, or Firm—Edward N. Bachand; Flehr, Hohbach, Test, Albritton & Herbert

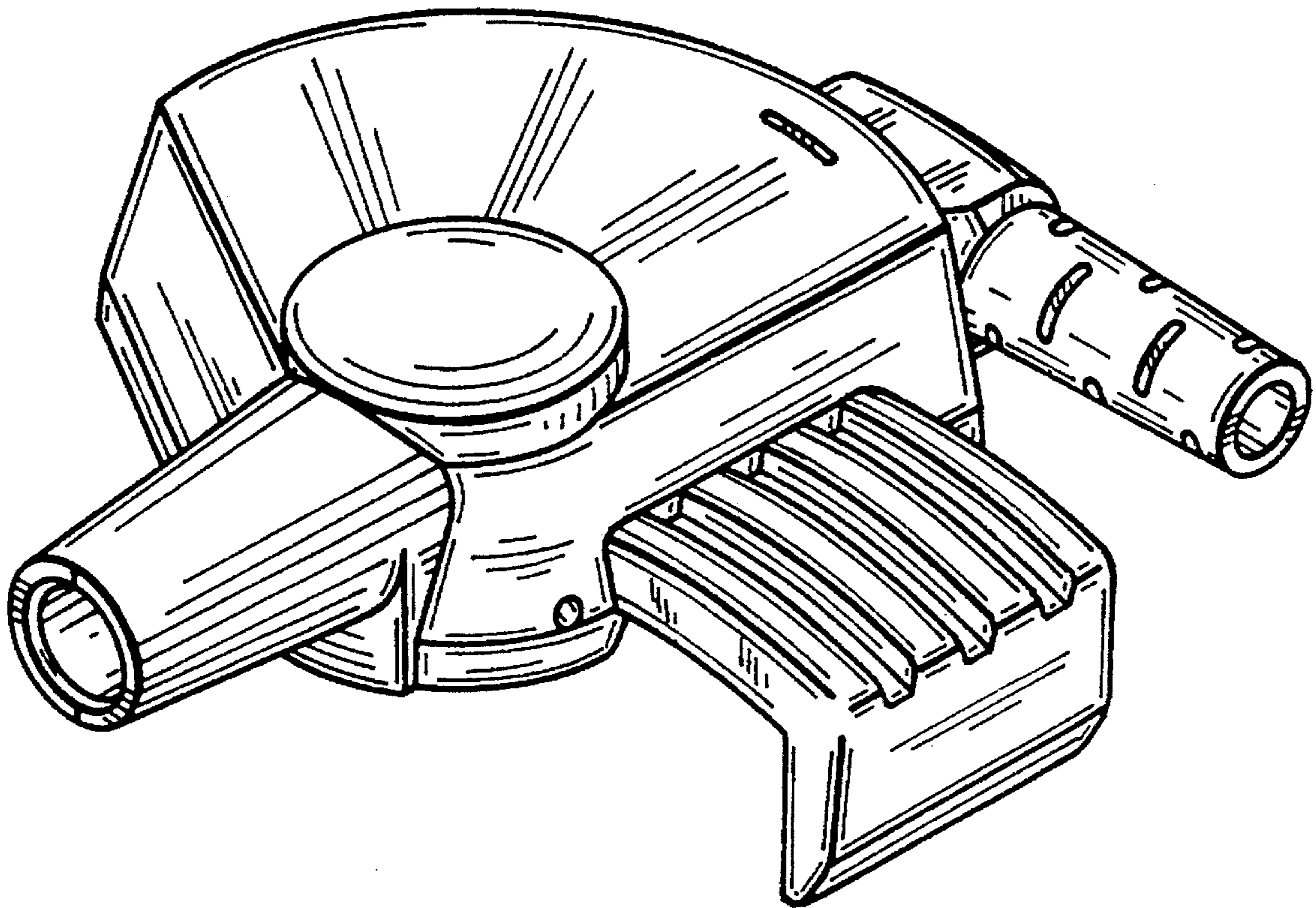
[57] CLAIM

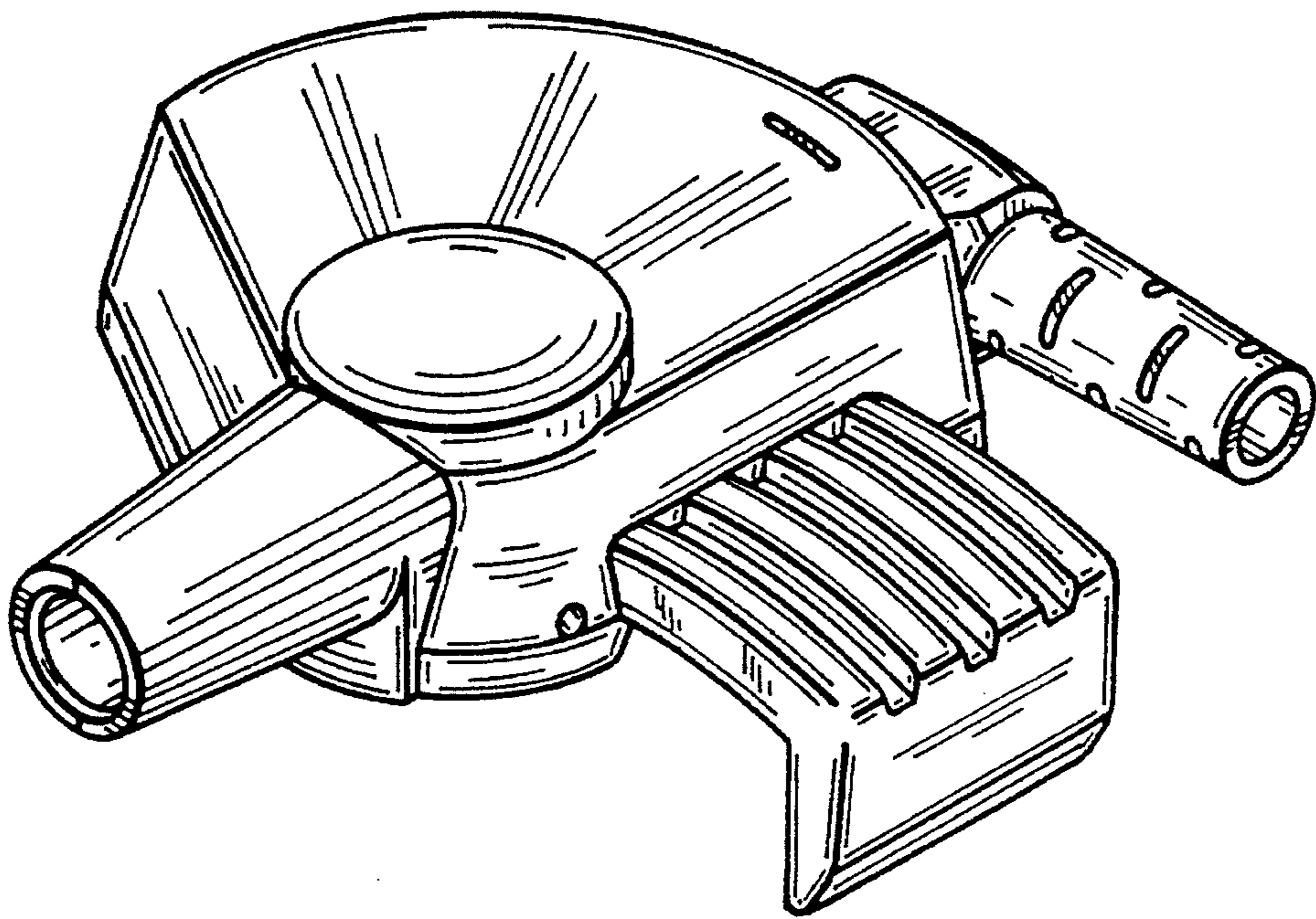
The ornamental design for a helmet attachment for a microphone, as shown and described.

DESCRIPTION

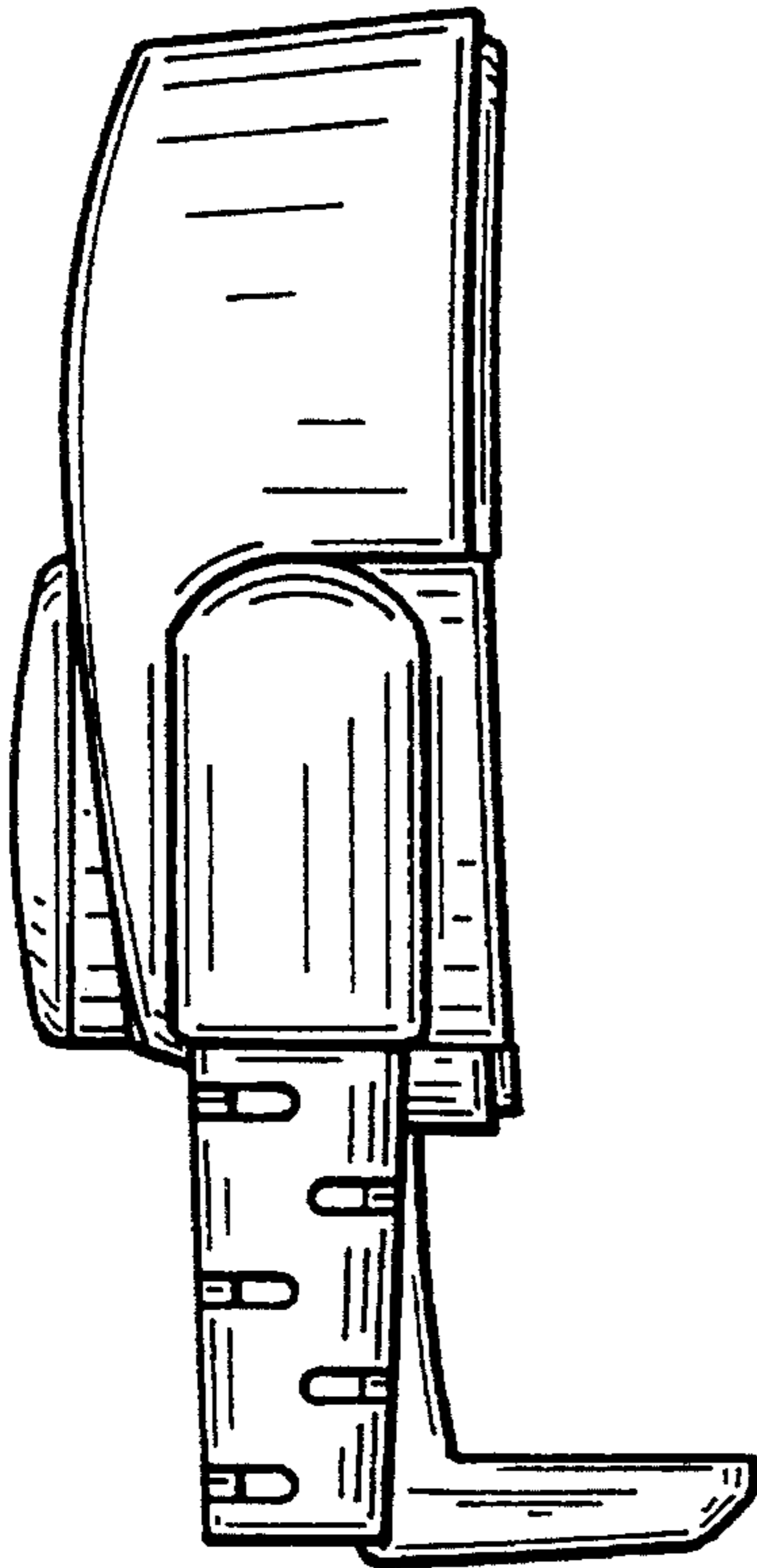
FIG. 1 is an isometric view of the helmet attachment for a microphone showing my new design; FIG. 2 is a front elevational view thereof; FIG. 3 is a rear elevational view thereof; FIG. 4 is a top plan view thereof; FIG. 5 is a bottom plan view thereof; FIG. 6 is a right side elevational view thereof; and, FIG. 7 is a left side elevational view thereof.

1 Claim, 3 Drawing Sheets

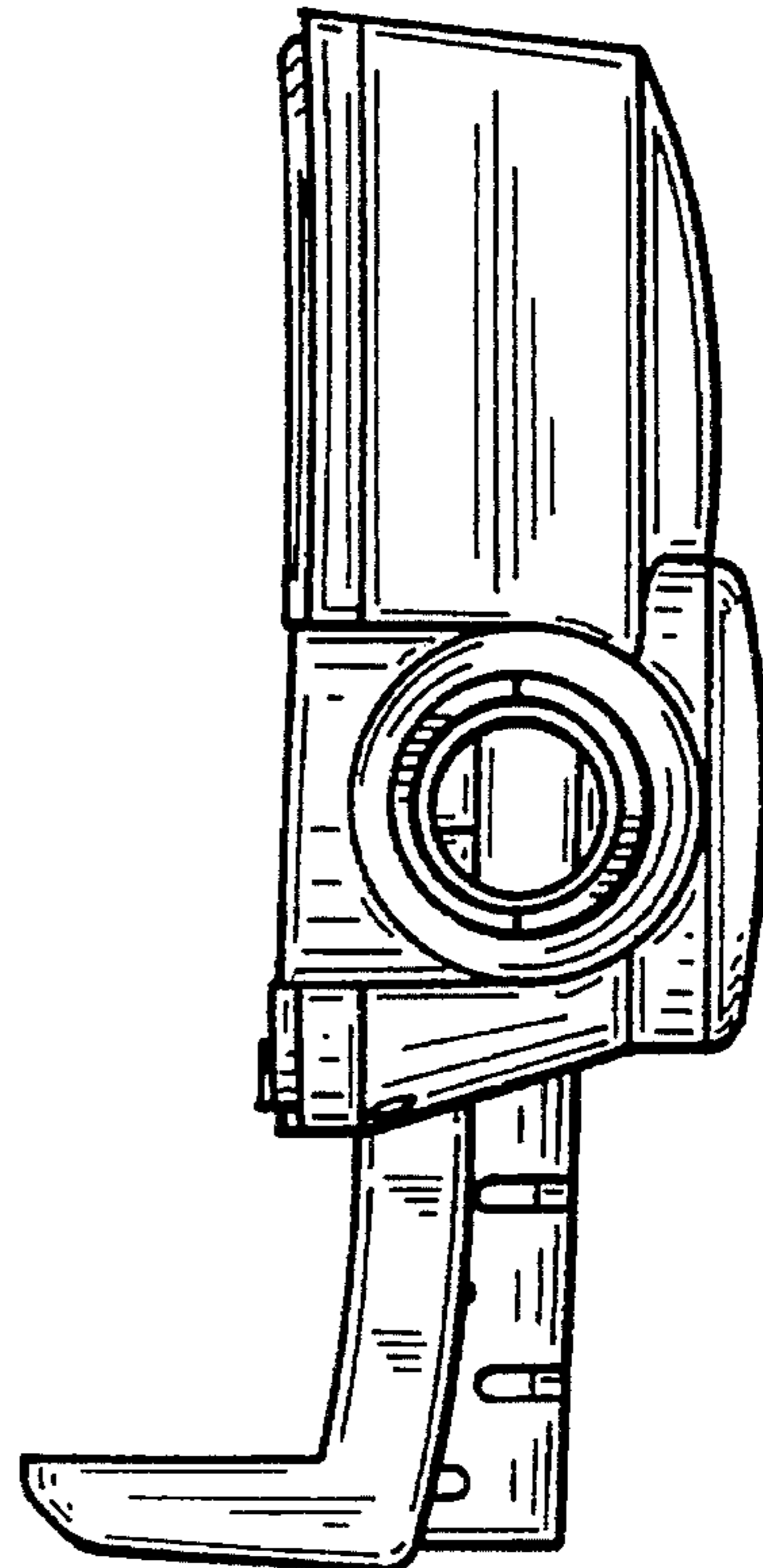




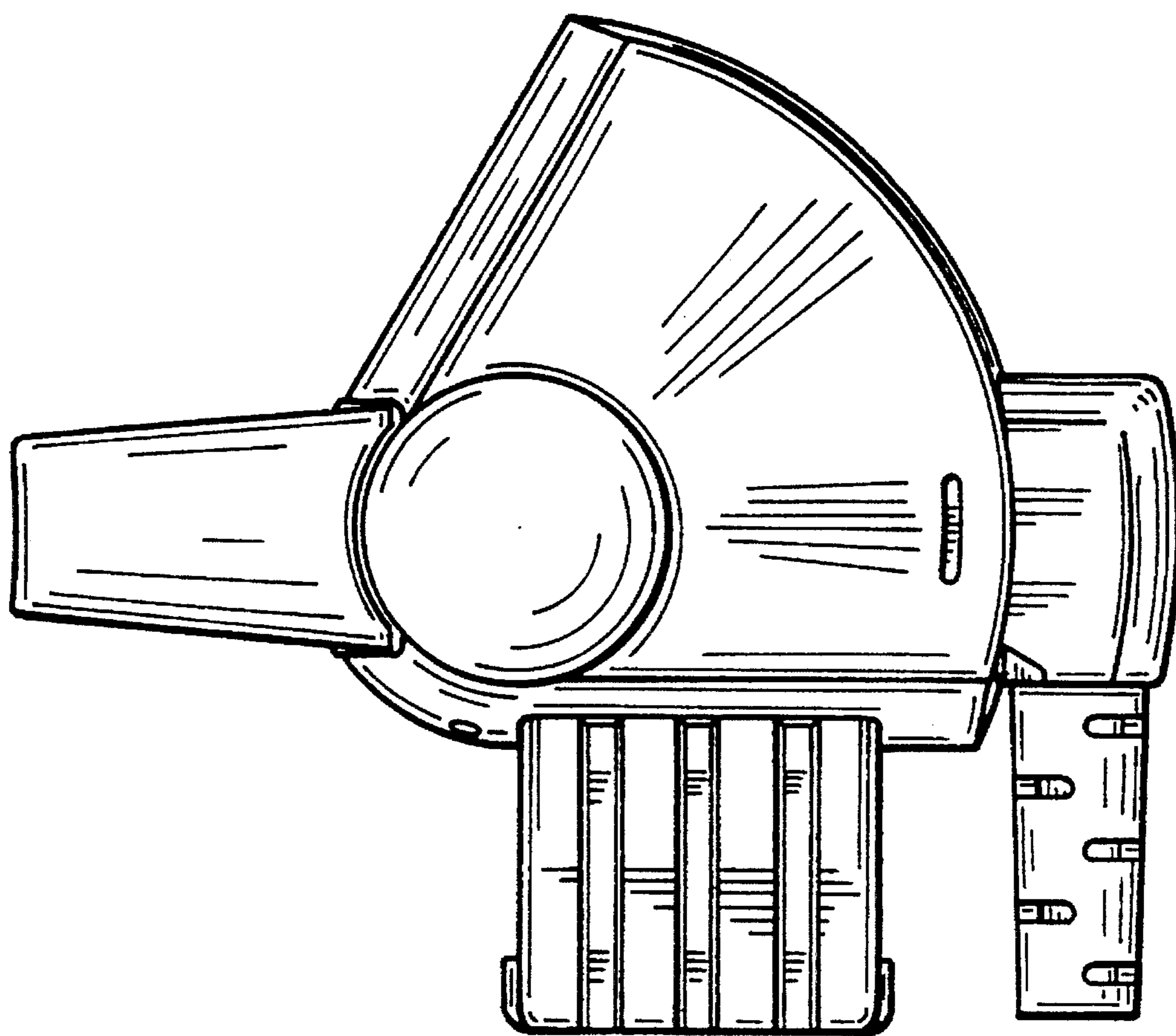
FIG_1



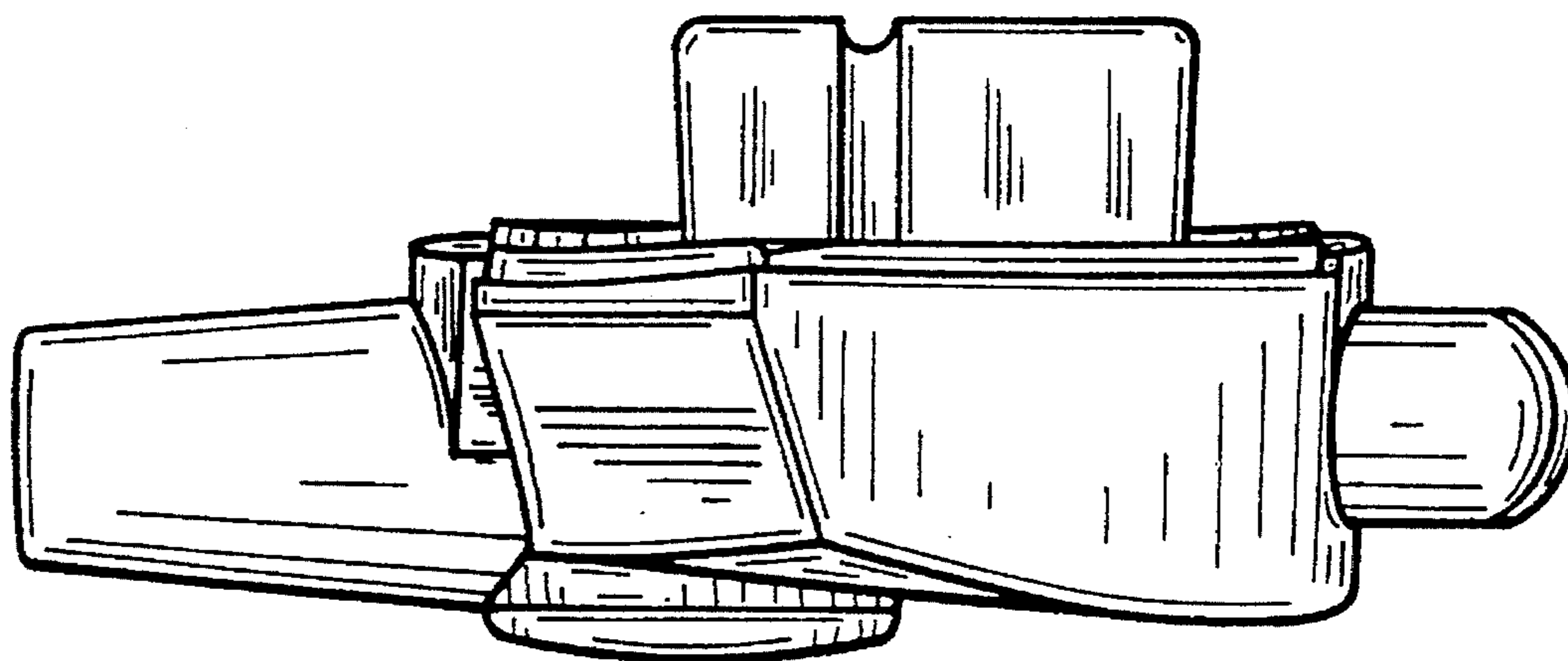
FIG_6



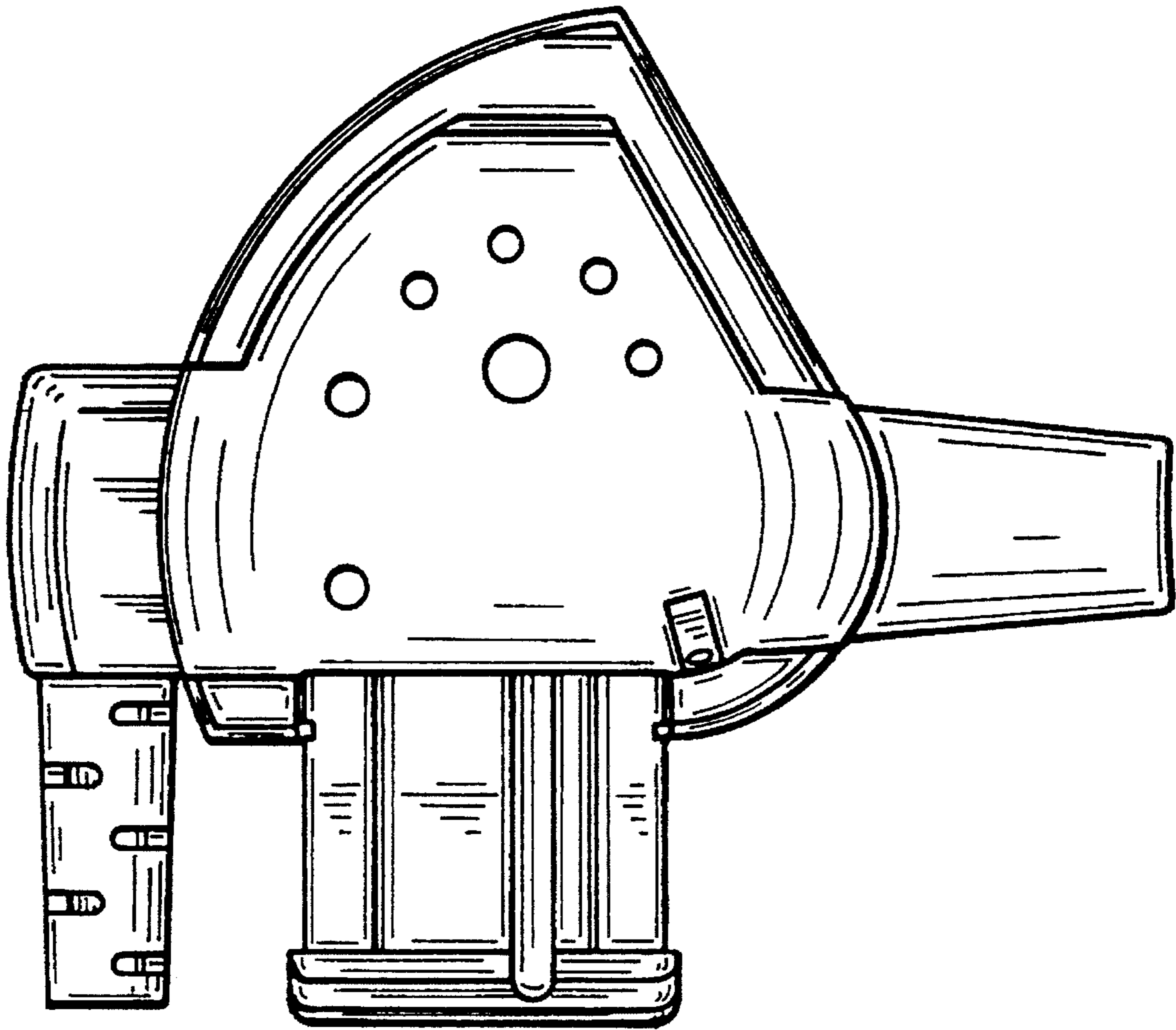
FIG_7



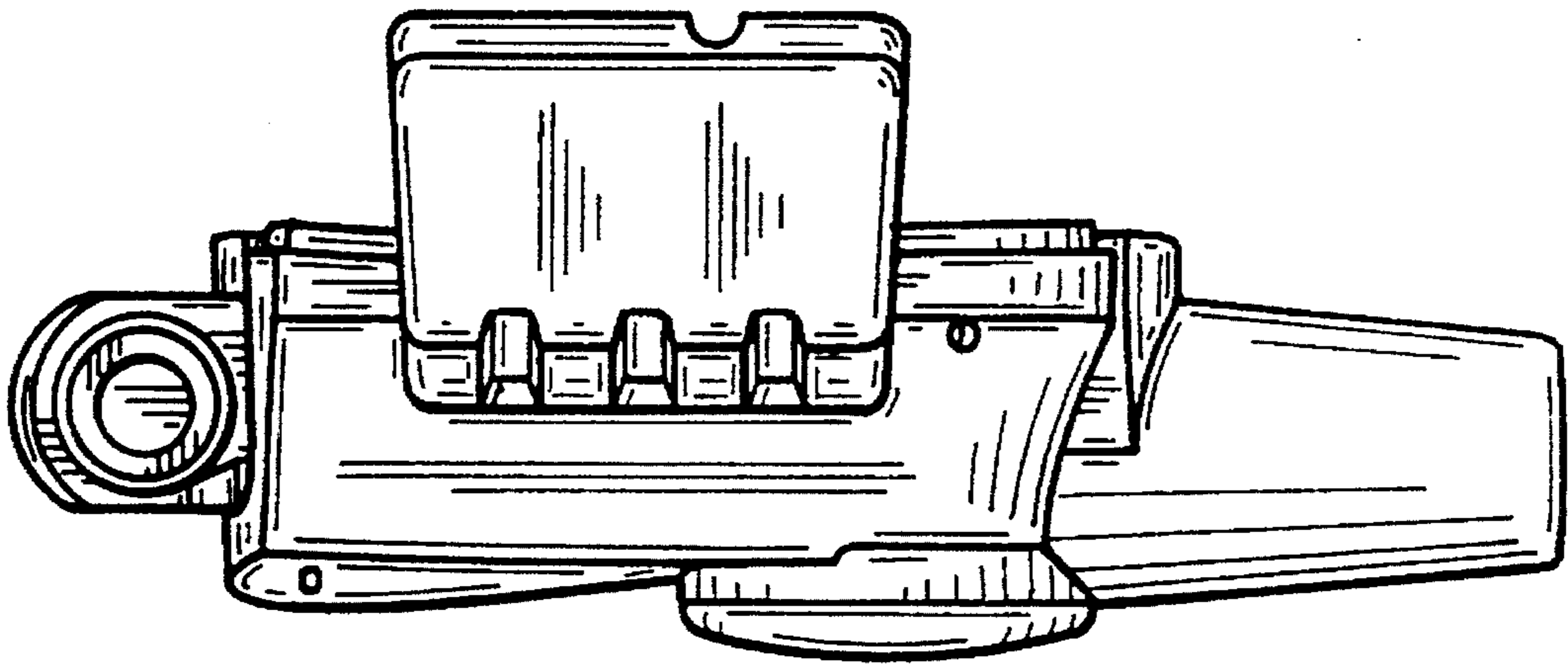
FIG_2



FIG_4



FIG_3



FIG_5