



US00D363931S

United States Patent [19] Coughlin

[11] Patent Number: **Des. 363,931**

[45] Date of Patent: ****Nov. 7, 1995**

[54] **CLOCK RADIO**

[76] Inventor: **Kevin Coughlin**, 6401 S. Lamon Ave.,
Chicago, Ill. 60638

[**] Term: **14 Years**

[21] Appl. No.: **18,530**

[22] Filed: **Feb. 9, 1994**

D. 266,436 10/1982 Smith D14/171 X
D. 302,796 8/1989 Goolsby D10/2 X
1,990,809 2/1935 Wright D21/29 X

Primary Examiner—Terry A. Wallace
Assistant Examiner—Nanda Bondade
Attorney, Agent, or Firm—Wallenstein & Wagner, Ltd.

Related U.S. Application Data

[63] Continuation-in-part of Ser. No. 89,037, Jul. 9, 1993, abandoned.

[52] U.S. Cl. **D14/171; D10/2; D10/8**

[58] Field of Search D10/1, 2, 5, 6,
D10/8; D14/168-171, 188-189; D21/111-113;
455/344, 347-351

[56] References Cited

U.S. PATENT DOCUMENTS

D. 241,521 9/1976 O'Brien D10/8

[57] CLAIM

The ornamental design for a clock radio, as shown and described.

DESCRIPTION

FIG. 1 is a perspective view of a clock radio showing my new design;

FIG. 2 is a front elevational view thereof;

FIG. 3 is a rear elevational view thereof;

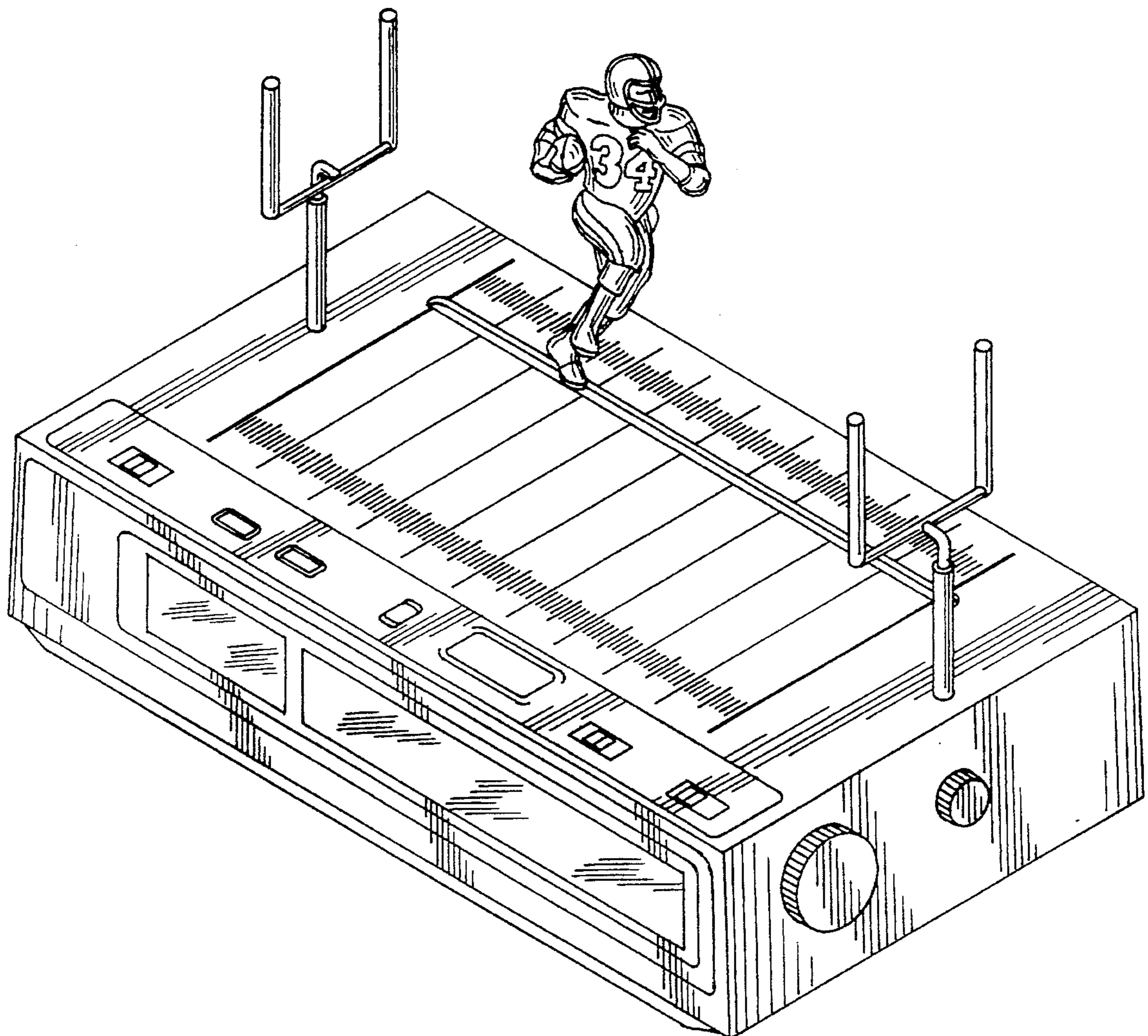
FIG. 4 is a right side elevational view thereof;

FIG. 5 is a left side elevational view thereof;

FIG. 6 is a top plan view thereof; and,

FIG. 7 is a bottom plan view thereof.

1 Claim, 3 Drawing Sheets



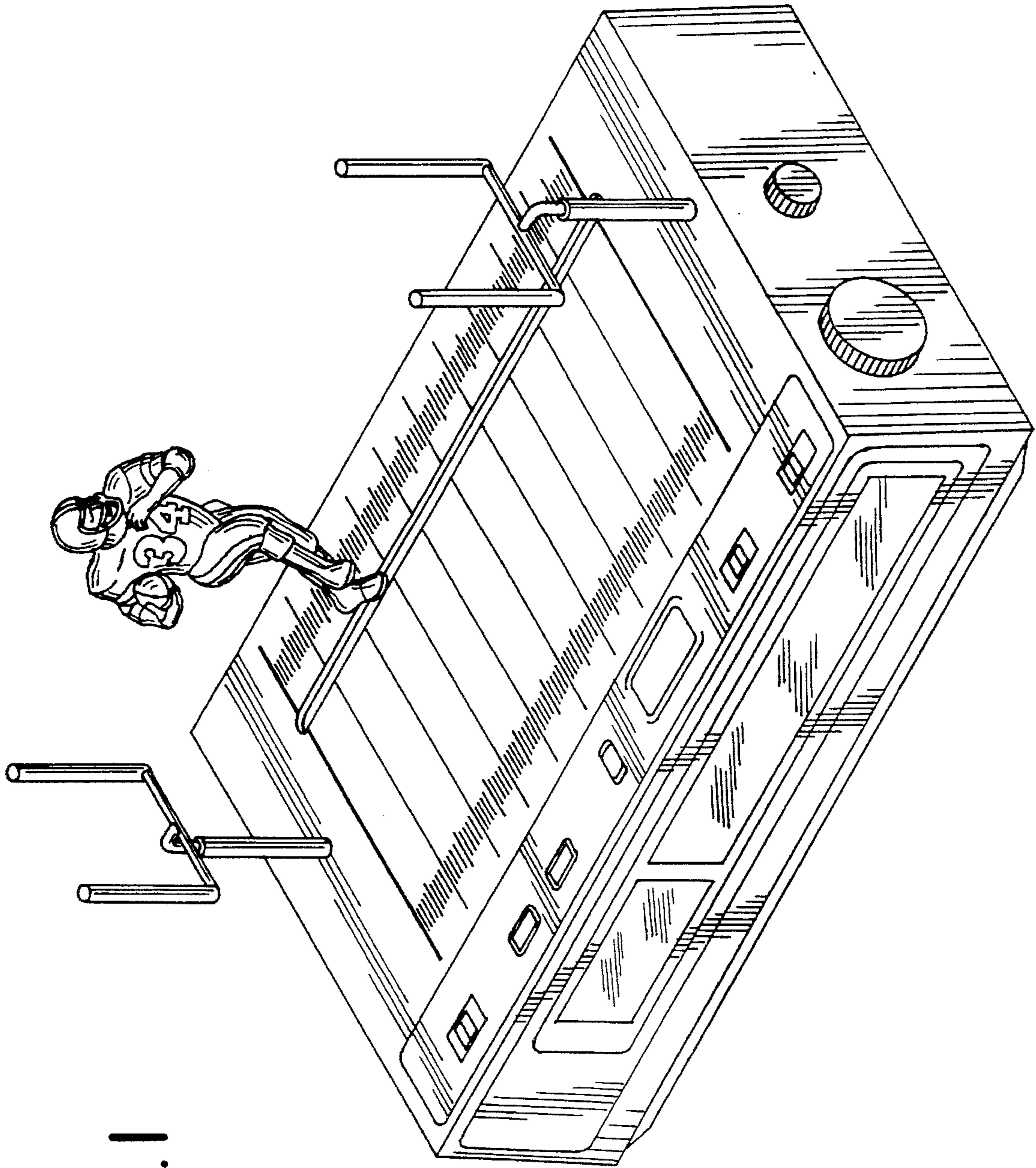


FIG. 1

FIG.2

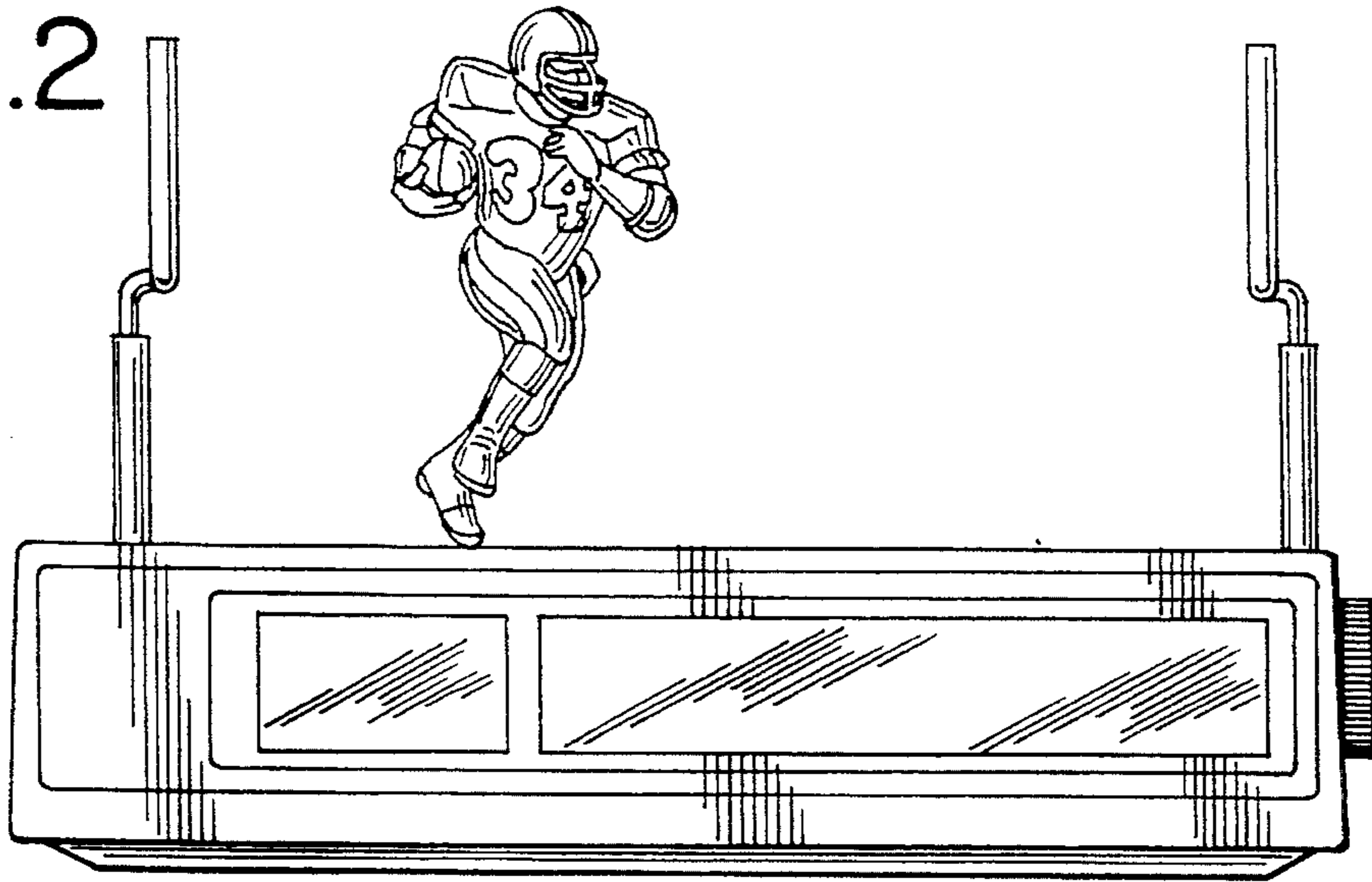


FIG.3

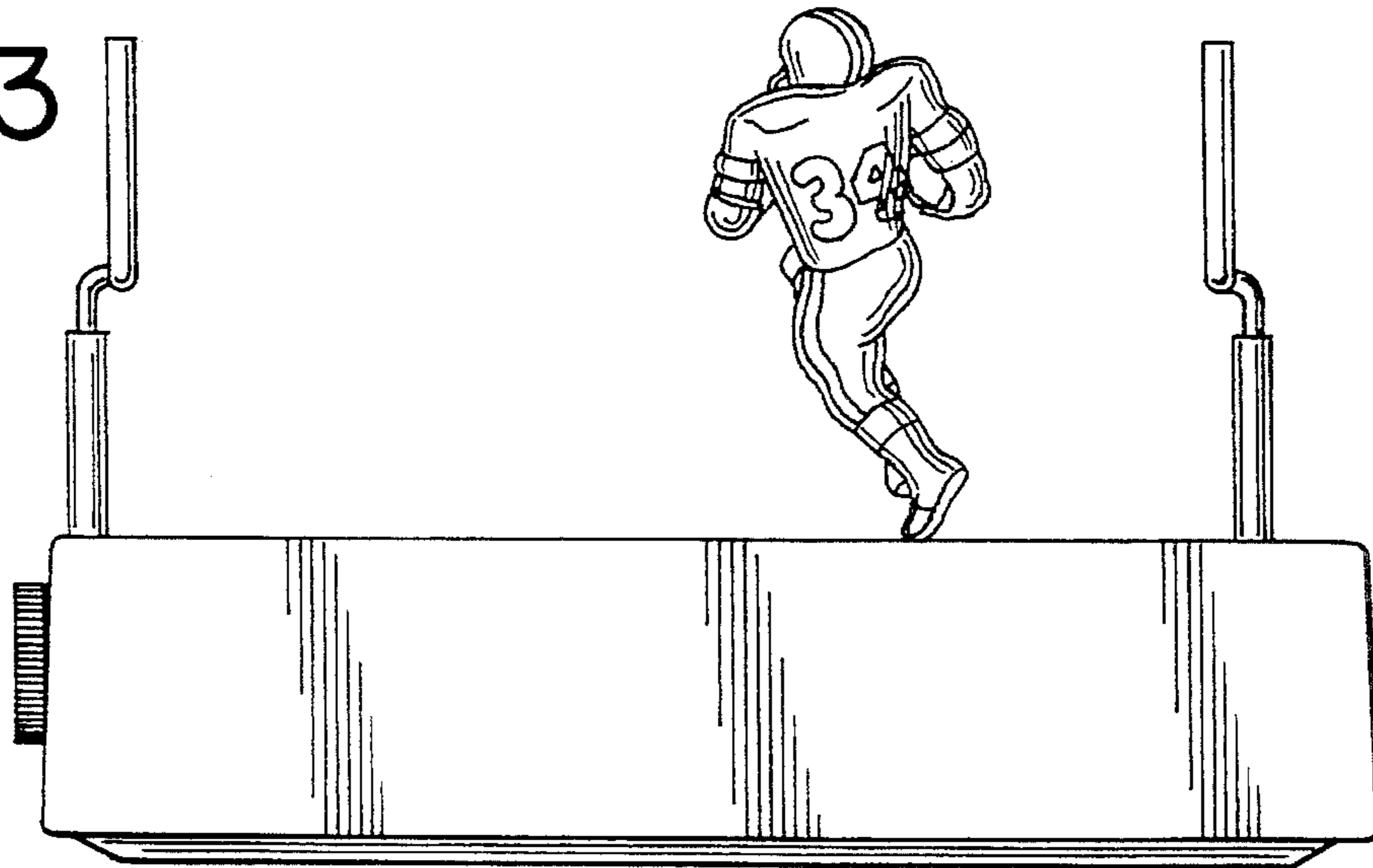


FIG.4

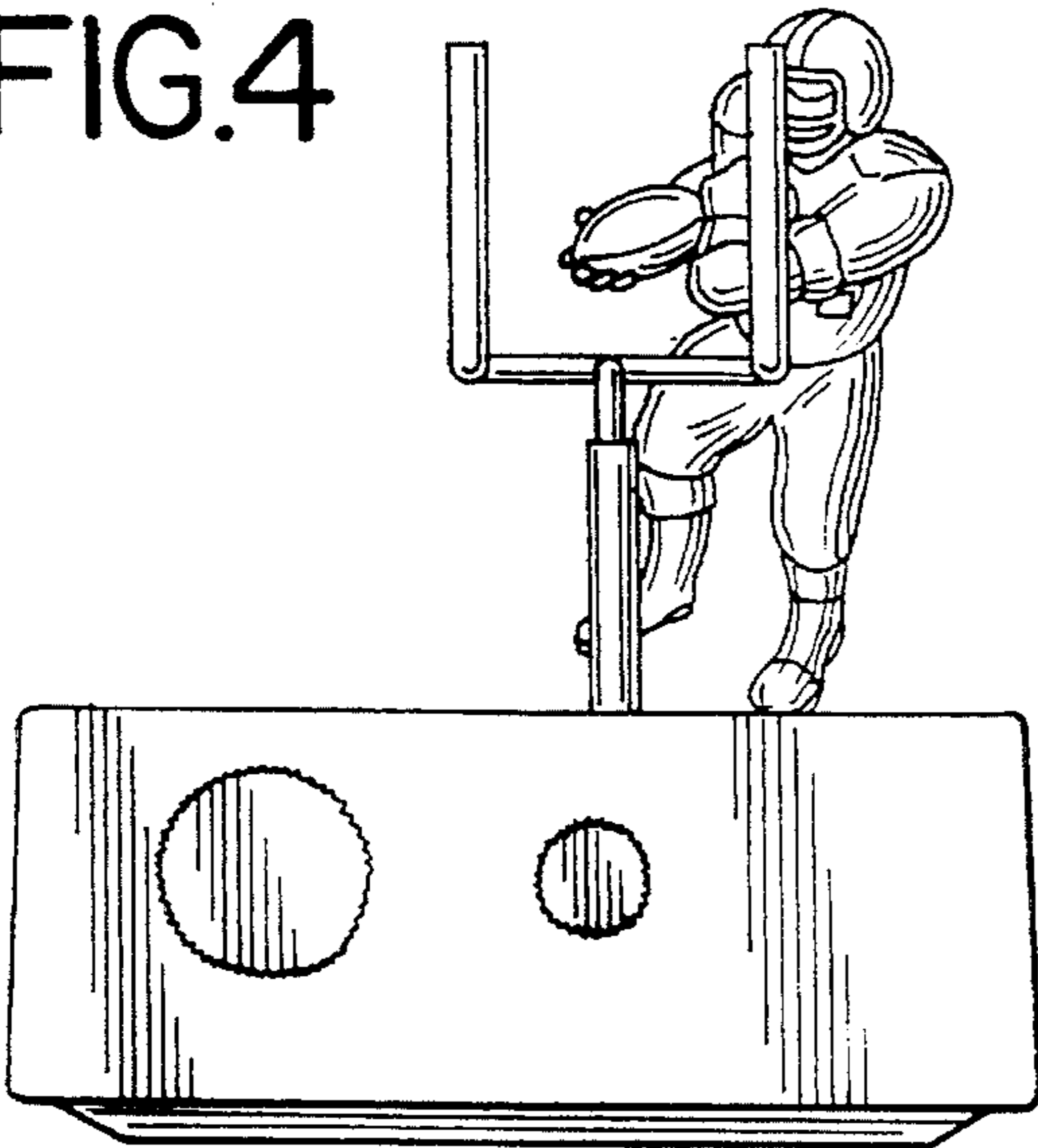


FIG.5

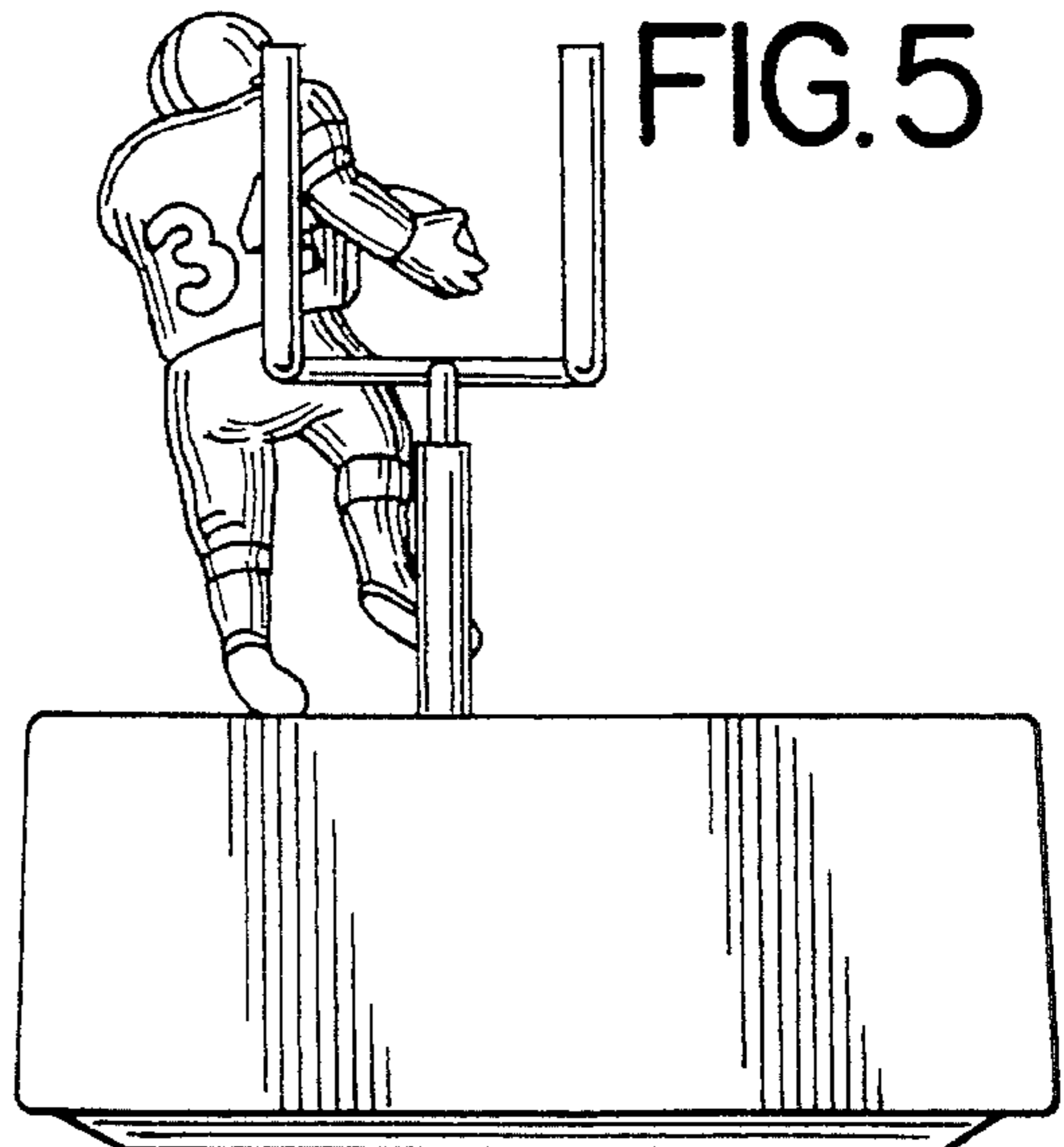


FIG. 6

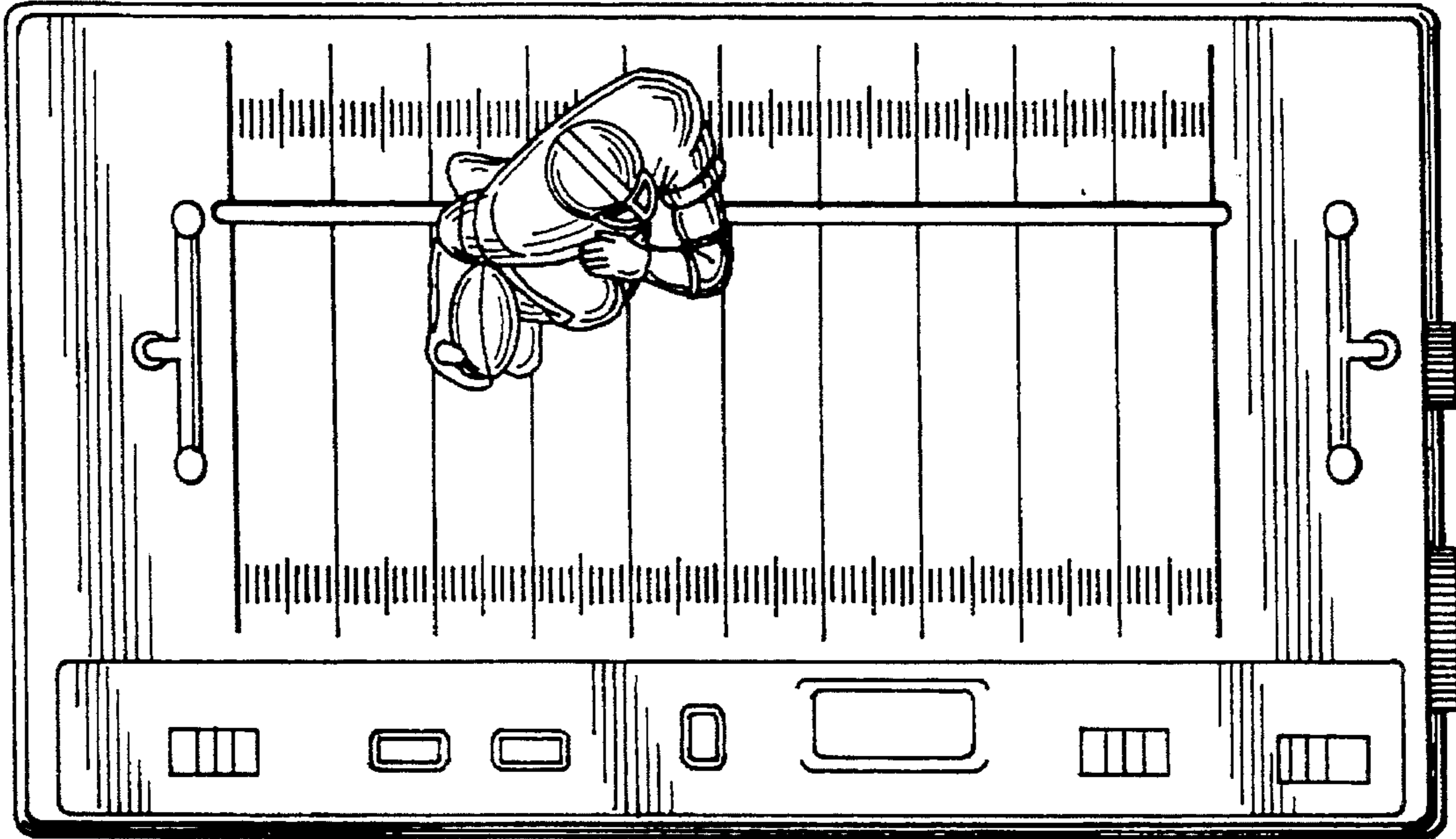


FIG. 7

