



US00D363930S

United States Patent [19]

Bailey et al.

[11] Patent Number: **Des. 363,930**

[45] Date of Patent: ****Nov. 7, 1995**

[54] **TAPE REEL FOR A VIDEO CASSETTE**

4,846,419	7/1989	Tateno et al.	242/614
5,199,661	4/1993	Gelardi et al.	242/345.2
5,370,332	12/1994	Goff et al.	242/344

[75] Inventors: **John A. Bailey**, Woodbury, Minn.;
Donald J. Staufenberg, Dublin, Ohio

FOREIGN PATENT DOCUMENTS

[73] Assignee: **Minnesota Mining and Manufacturing Company**, St. Paul, Minn.

1324300 3/1963 France 242/614

[**] Term: **14 Years**

Primary Examiner—Terry A. Wallace
Assistant Examiner—Nanda Bondade
Attorney, Agent, or Firm—Gary L. Griswold; Walter N. Kirm; Charles D. Levine

[21] Appl. No.: **20,914**

[57] CLAIM

[22] Filed: **Apr. 5, 1994**

The ornamental design for a tape reel for a videocassette, as shown and described.

[52] U.S. Cl. **D14/122**

[58] Field of Search D14/120, 122,
D14/123; 242/345, 345.1, 345.2, 345.3,
613.5, 614, 614.1

DESCRIPTION

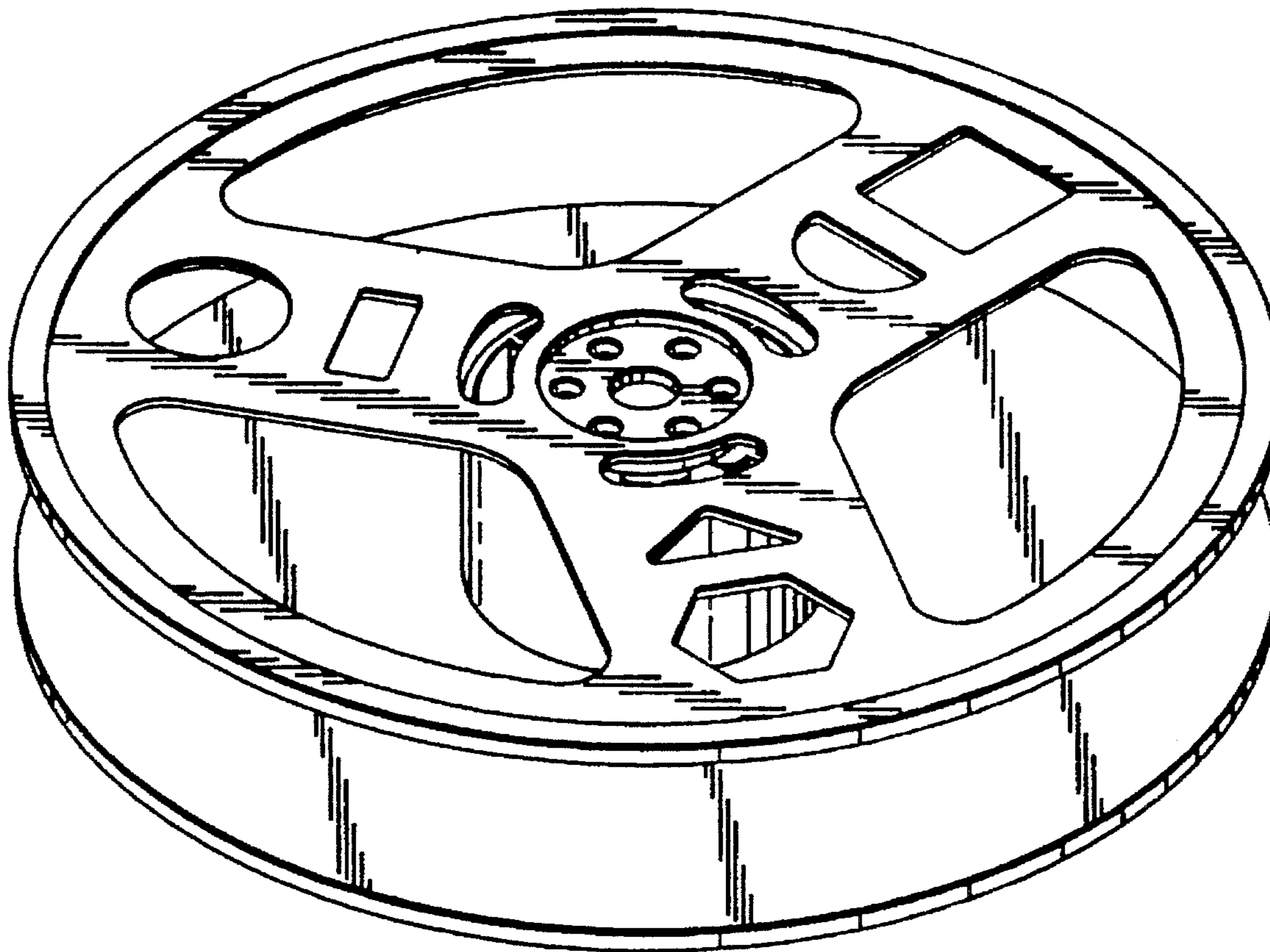
[56] References Cited

U.S. PATENT DOCUMENTS

D. 199,650	11/1964	Sheppley, Jr.	D14/122
D. 337,579	7/1993	Roberts et al.	D14/122
4,501,396	2/1985	Tomsyck et al.	242/199
4,754,357	6/1988	Nelson	360/132

FIG. 1 is a perspective view of a tape reel for a videocassette showing our new design;
FIG. 2 is a side elevational view thereof, the remaining sides being identical;
FIG. 3 is a top plan view thereof; and,
FIG. 4 is a bottom plan view thereof.

1 Claim, 2 Drawing Sheets



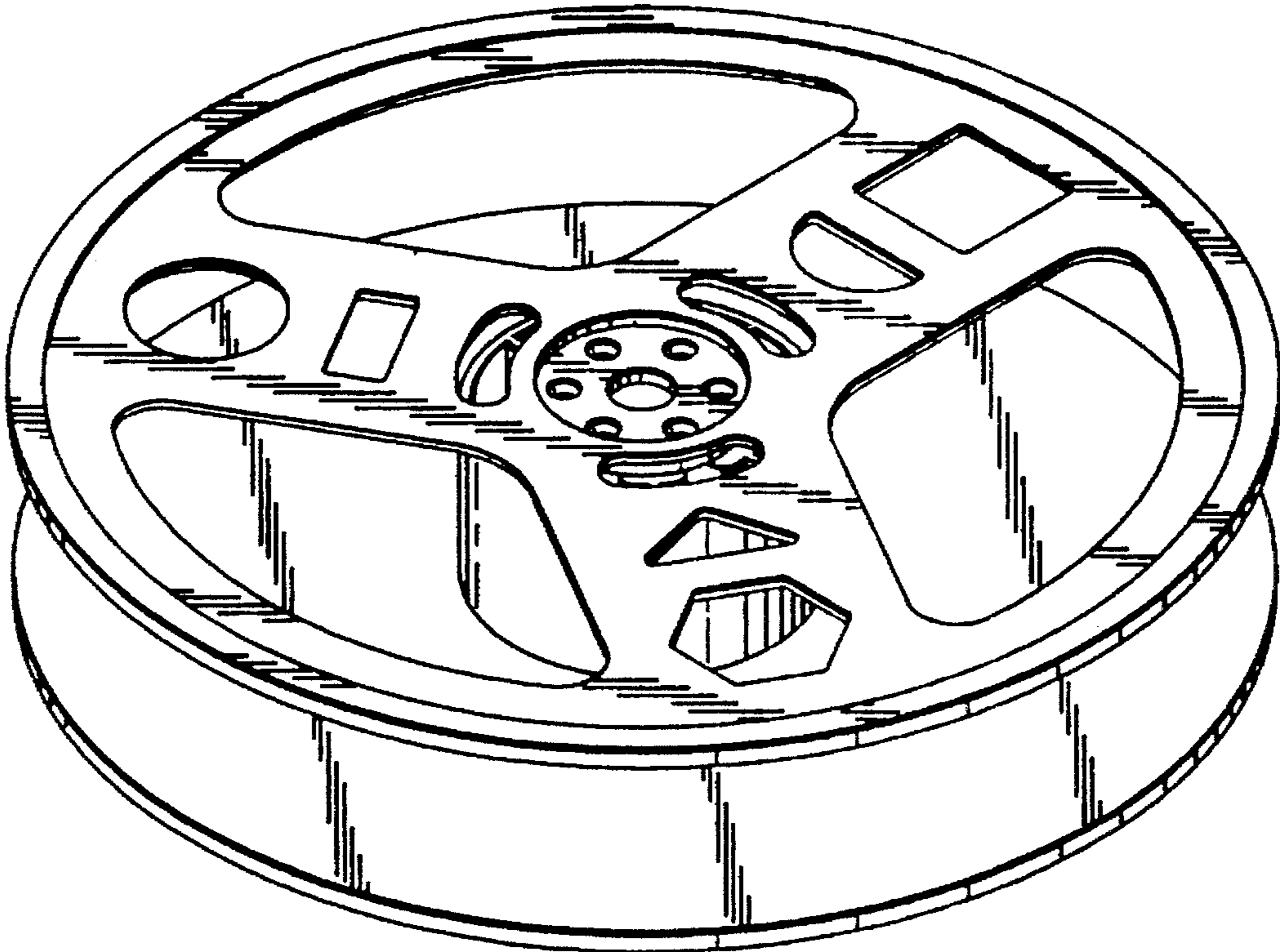


Fig. 1

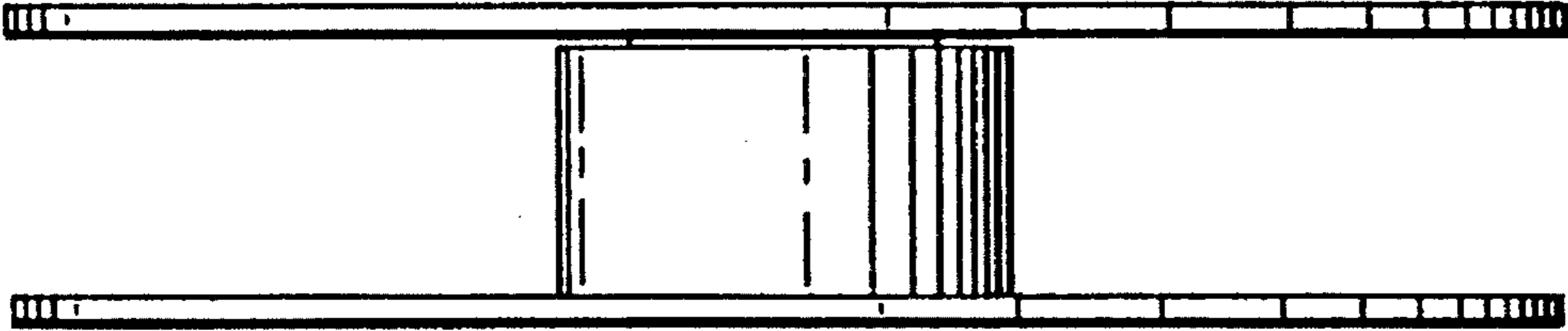


Fig. 2

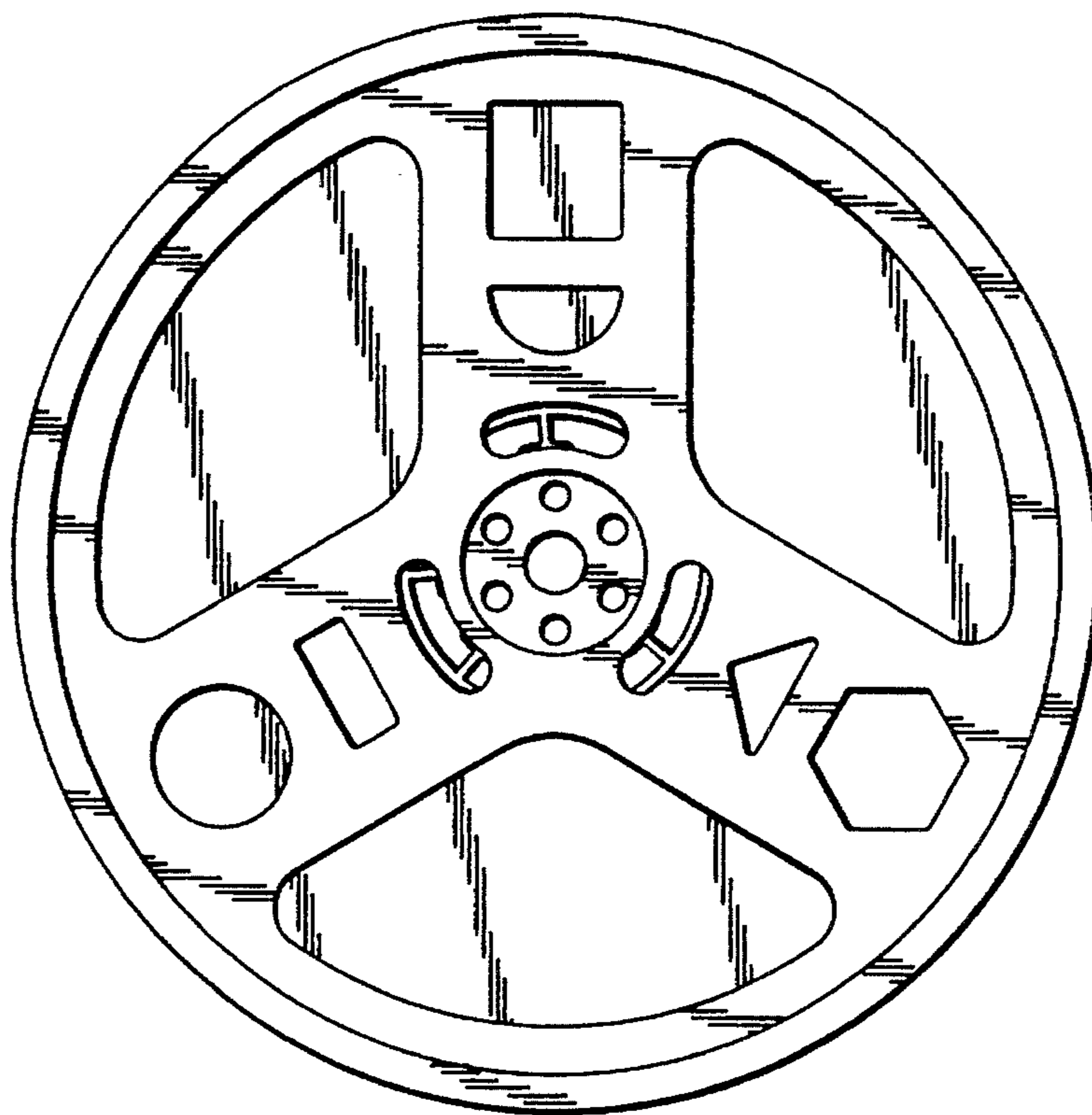


Fig. 3

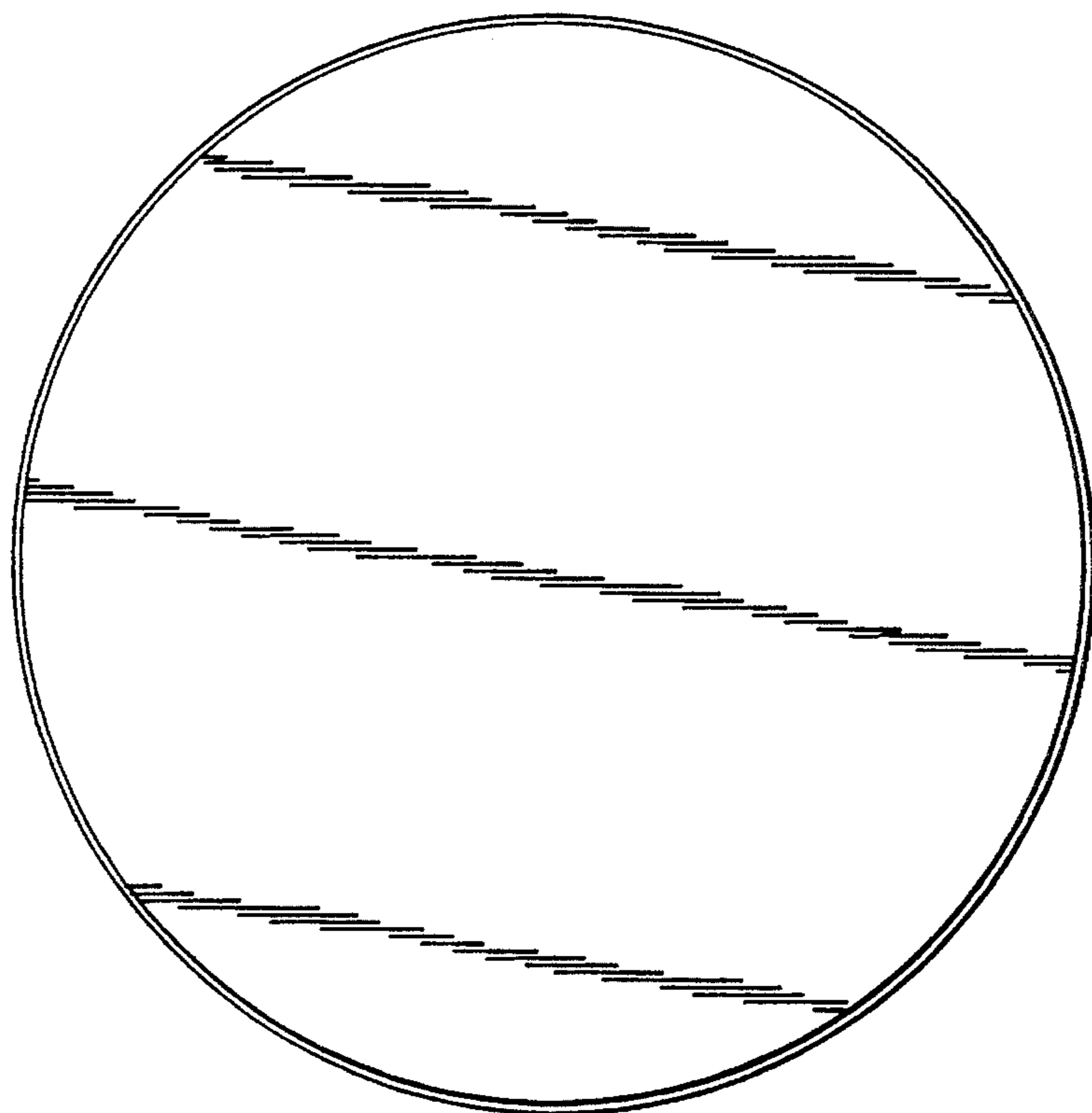


Fig. 4