



US00D363929S

United States Patent [19]

Tanaka et al.

[11] Patent Number: **Des. 363,929**

[45] Date of Patent: ****Nov. 7, 1995**

[54] **AUDIO TAPE CASSETTE**

[75] Inventors: **Kunihiko Tanaka; Noriko Katayama,**
both of Tokyo, Japan

[73] Assignee: **Fuji Photo Film Co., Ltd., Kanagawa,**
Japan

[**] Term: **14 Years**

[21] Appl. No.: **27,478**

[22] Filed: **Aug. 22, 1994**

[30] Foreign Application Priority Data

Feb. 25, 1994 [JP] Japan 6-4821

[52] U.S. Cl. **D14/121**

[58] Field of Search D14/120-123,
D14/114, 299; 242/348, 348.4, 341, 335;
273/DIG. 28; 360/132, 133; 206/387

[56] References Cited

U.S. PATENT DOCUMENTS

- D. 316,258 4/1991 Yonehara .
- D. 316,259 4/1991 Yonehara .
- D. 320,201 9/1991 Isozaki .
- D. 329,855 9/1992 Horikiri et al. .
- D. 331,234 11/1992 Horikiri .

- D. 337,111 7/1993 Hata D14/121
- D. 337,324 7/1993 Wolf D14/121
- D. 350,952 9/1994 Katayama D14/121
- 4,452,408 6/1984 Sasaki 242/346.2 X
- 4,526,330 7/1985 Shimizu 242/345
- 4,791,503 12/1988 Yamamoto et al. 360/132

OTHER PUBLICATIONS

Honkrona Enterprise, Oct. 1992, p. 233.
Honkrona Enterprise, Oct. 1992, p. 359.

Primary Examiner—Prabhakar G. Deshmukh
Attorney, Agent, or Firm—Young & Thompson

[57] CLAIM

The ornamental design for an audio tape cassette, as shown.

DESCRIPTION

FIG. 1 is a perspective view of an audio tape cassette showing our new design;
 FIG. 2 is a top plan view thereof;
 FIG. 3 is a bottom plan view thereof;
 FIG. 4 is an edge view thereof from the top of FIG. 2;
 FIG. 5 is an edge view thereof from the bottom of FIG. 2;
 FIG. 6 is an edge view thereof from the left of FIG. 2; and,
 FIG. 7 is an edge view thereof from the right of FIG. 2.

1 Claim, 3 Drawing Sheets

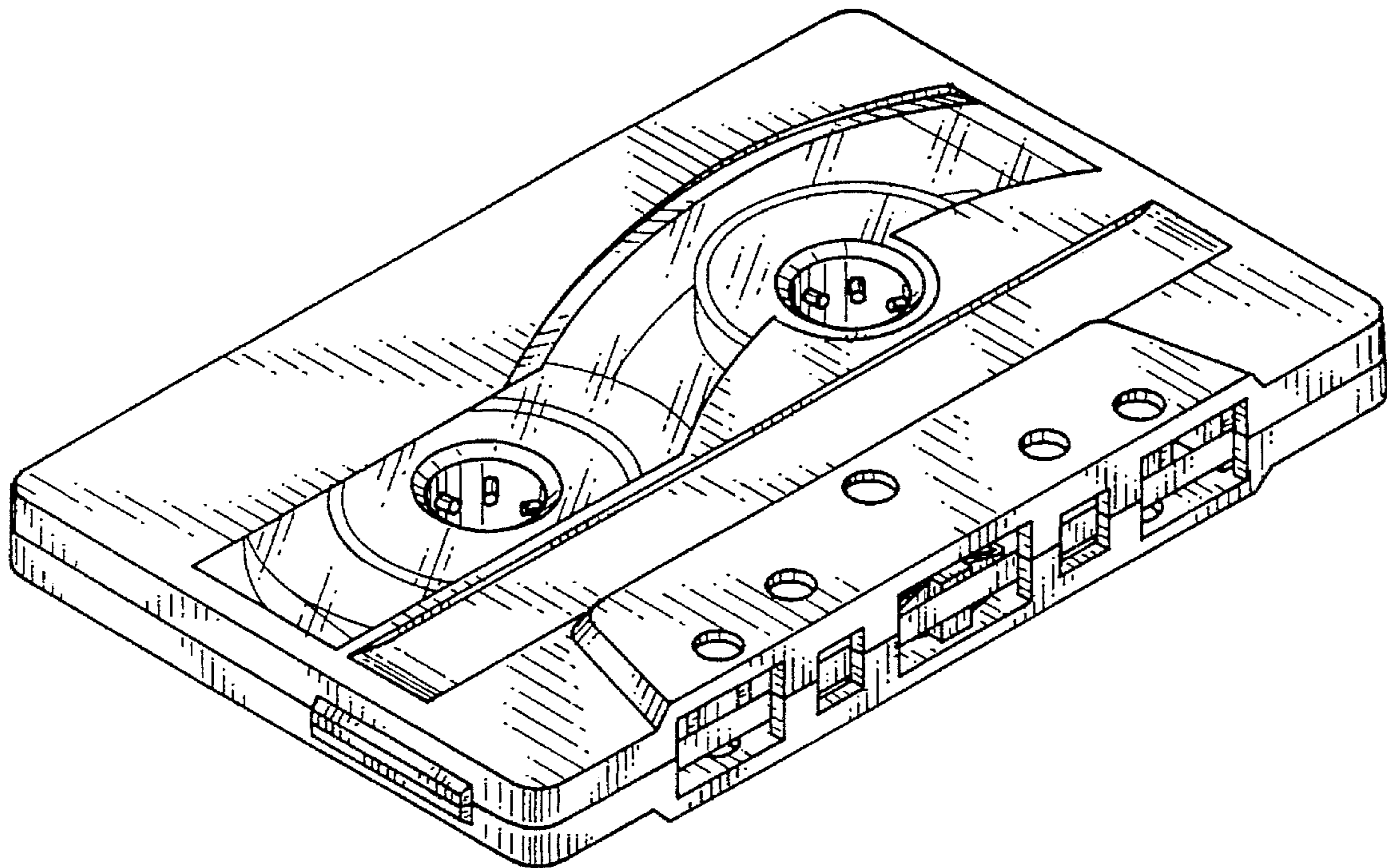


FIG. 1

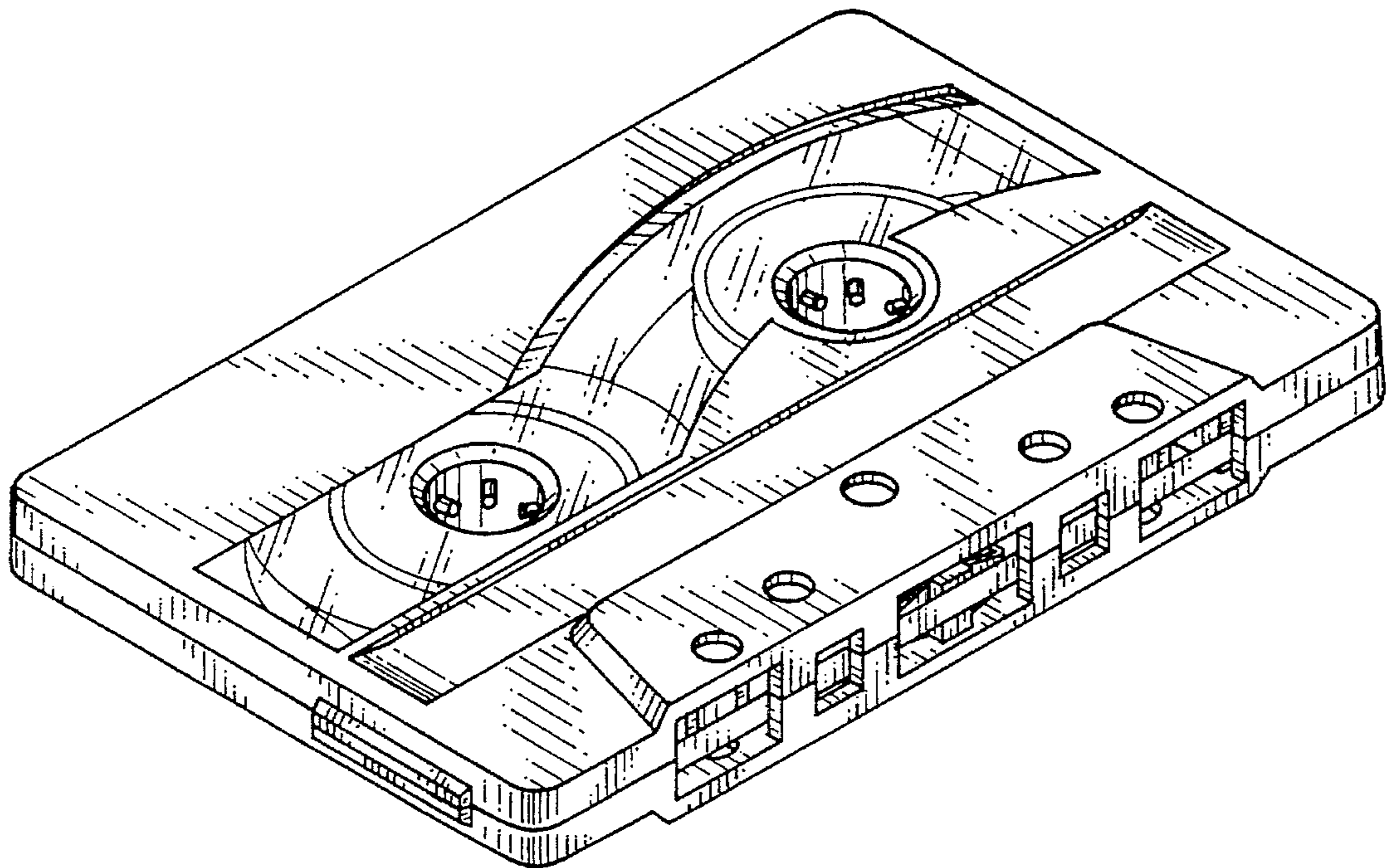


FIG. 2

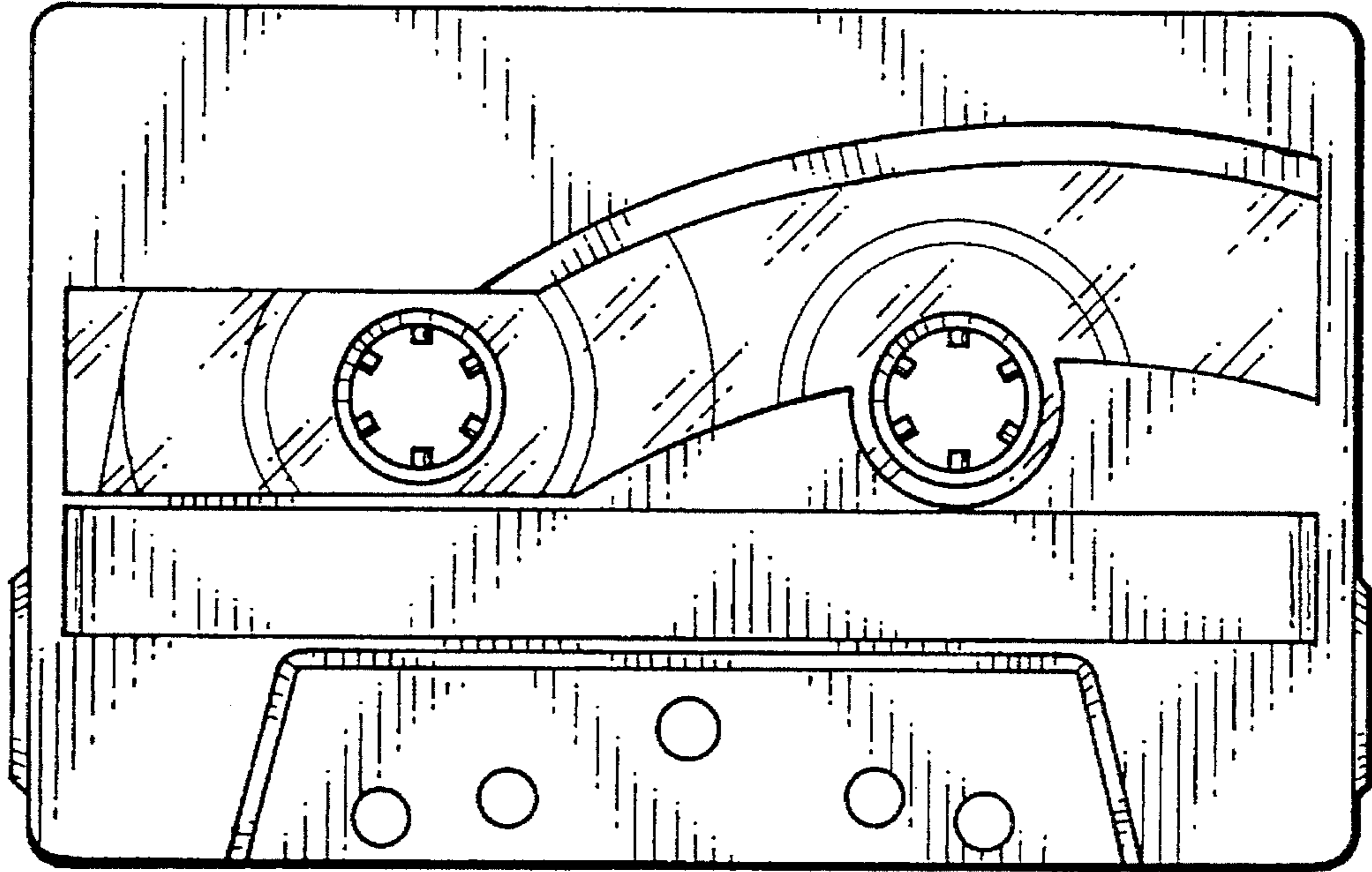


FIG. 3

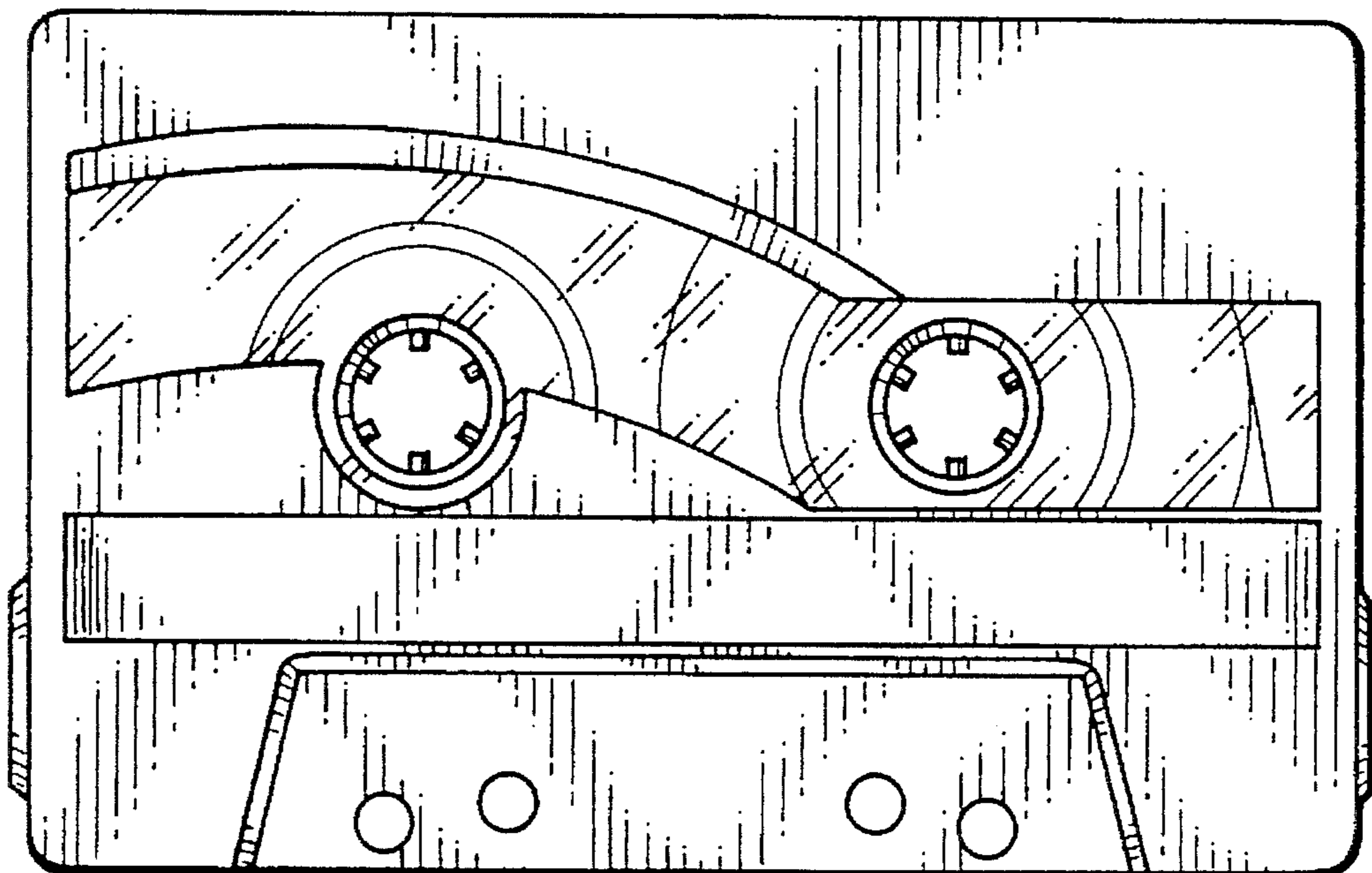


FIG. 4

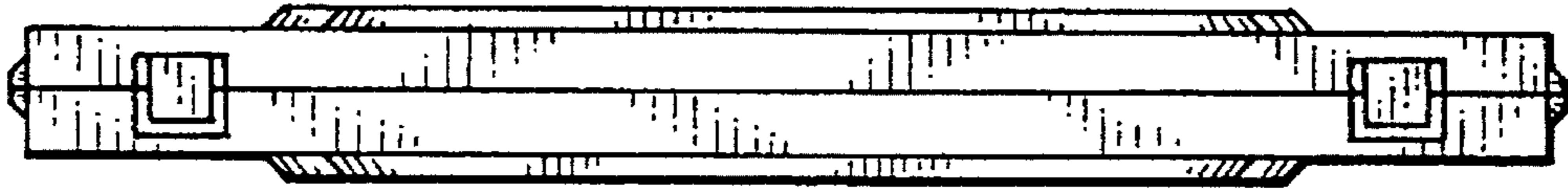


FIG. 5

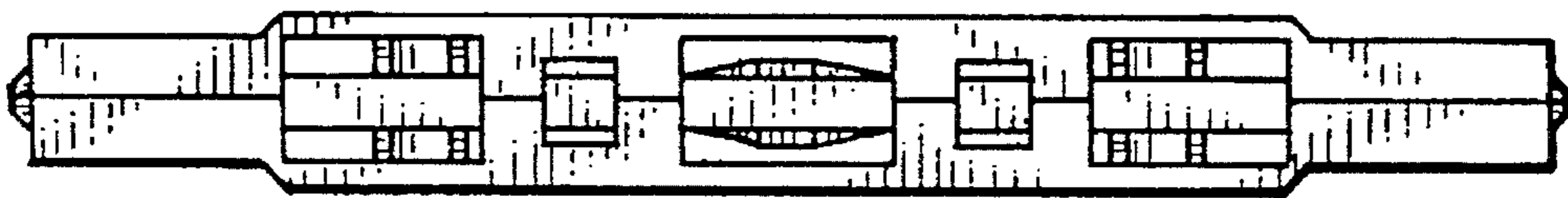


FIG. 6

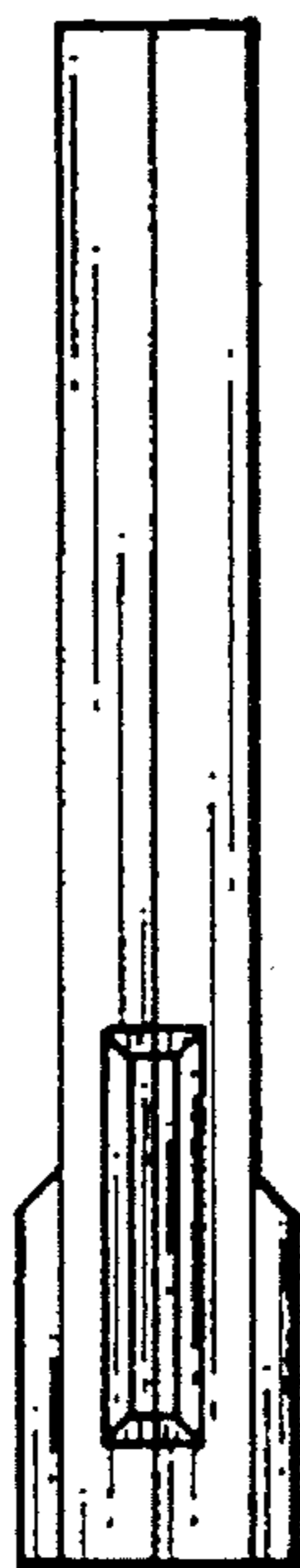


FIG. 7

