



US00D363925S

# United States Patent [19]

Imai

[11] Patent Number: **Des. 363,925**

[45] Date of Patent: **\*\*Nov. 7, 1995**

[54] **DISPLAY FOR A COMPUTER**

[75] Inventor: **Toshitaka Imai**, Kanagawa, Japan

[73] Assignee: **International Business Machines Corporation**, Armonk, N.Y.

[\*\*] Term: **14 Years**

[21] Appl. No.: **21,171**

[22] Filed: **Apr. 12, 1994**

### [30] Foreign Application Priority Data

Oct. 20, 1993 [JP] Japan ..... 5-31983

[52] U.S. Cl. .... **D14/113; D14/125**

[58] Field of Search ..... D14/100, 101, D14/106, 113, 124-127, 129; 345/104, 133, 156, 168, 173, 87, 901-905; 358/249, 254, 255; 248/917-924

### [56] References Cited

#### U.S. PATENT DOCUMENTS

D. 294,262 2/1988 Thies et al. .... D14/113

D. 303,661	9/1989	Manabe et al. ....	D14/113
D. 326,847	6/1992	Savio .....	D14/113
D. 344,933	3/1994	Wiseman et al. ....	D14/113
D. 354,052	1/1995	Imai .....	D14/113

*Primary Examiner*—Freda Nunn  
*Attorney, Agent, or Firm*—Martin J. McKinley; Craig J. Yudell; Andrew J. Dillon

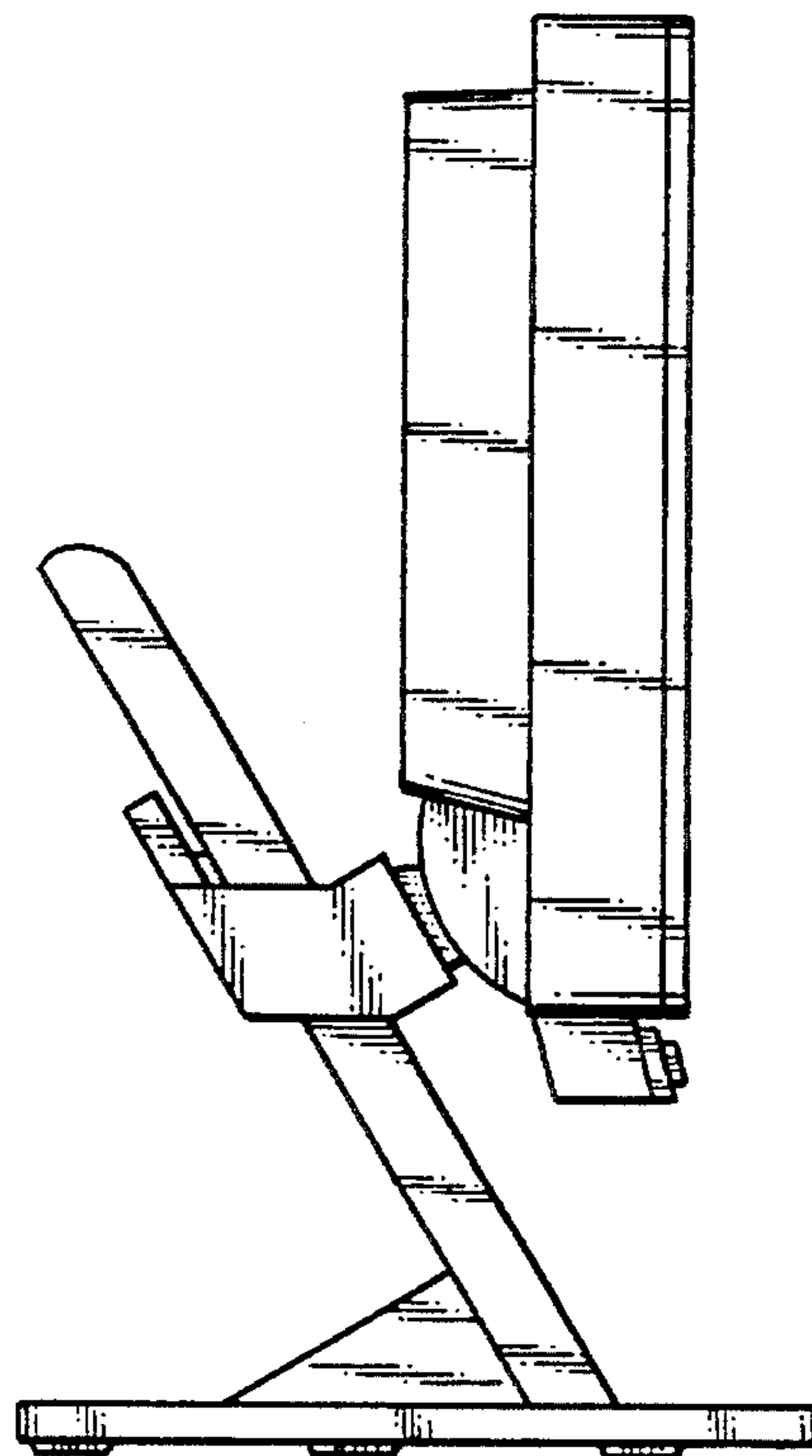
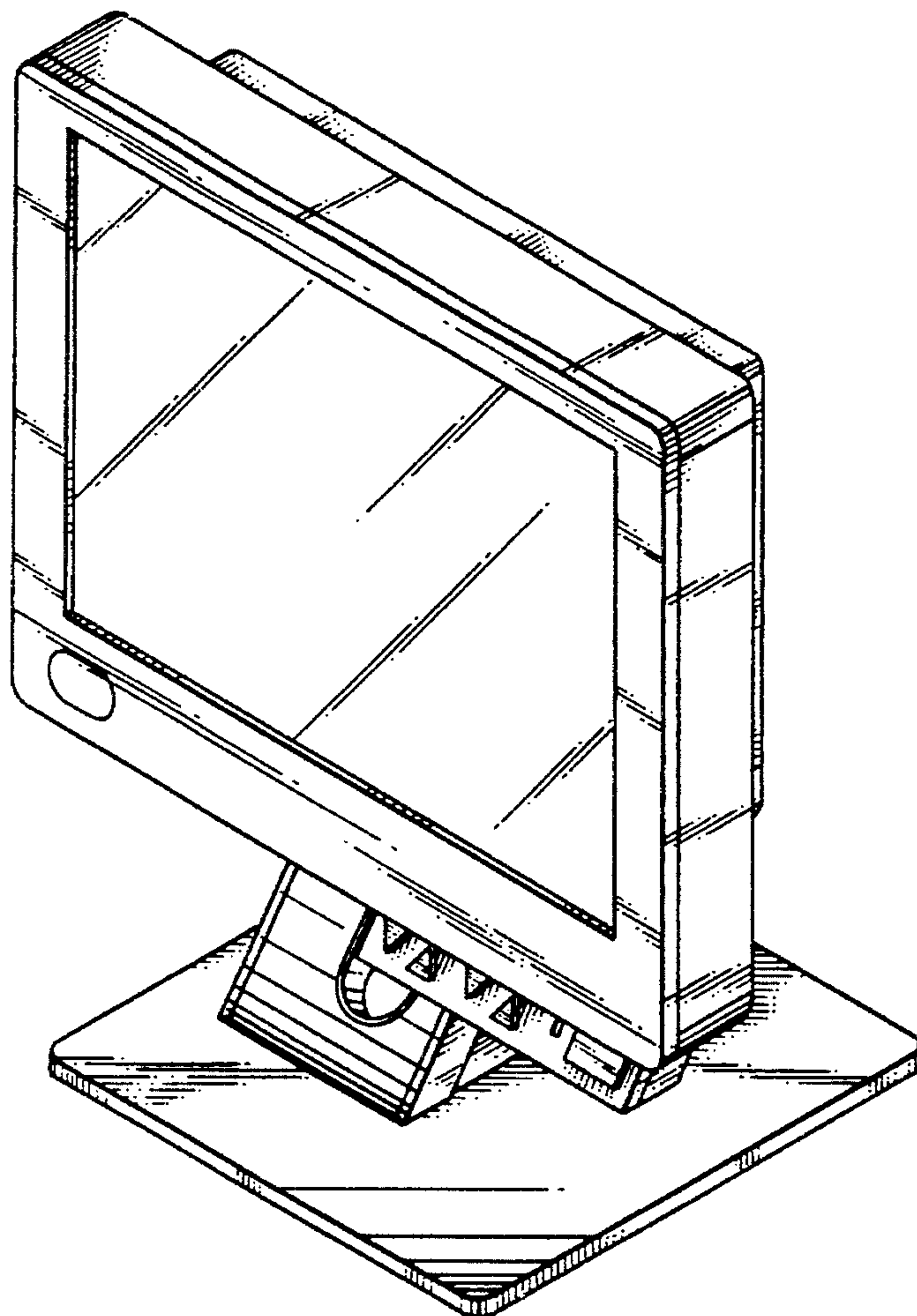
### [57] CLAIM

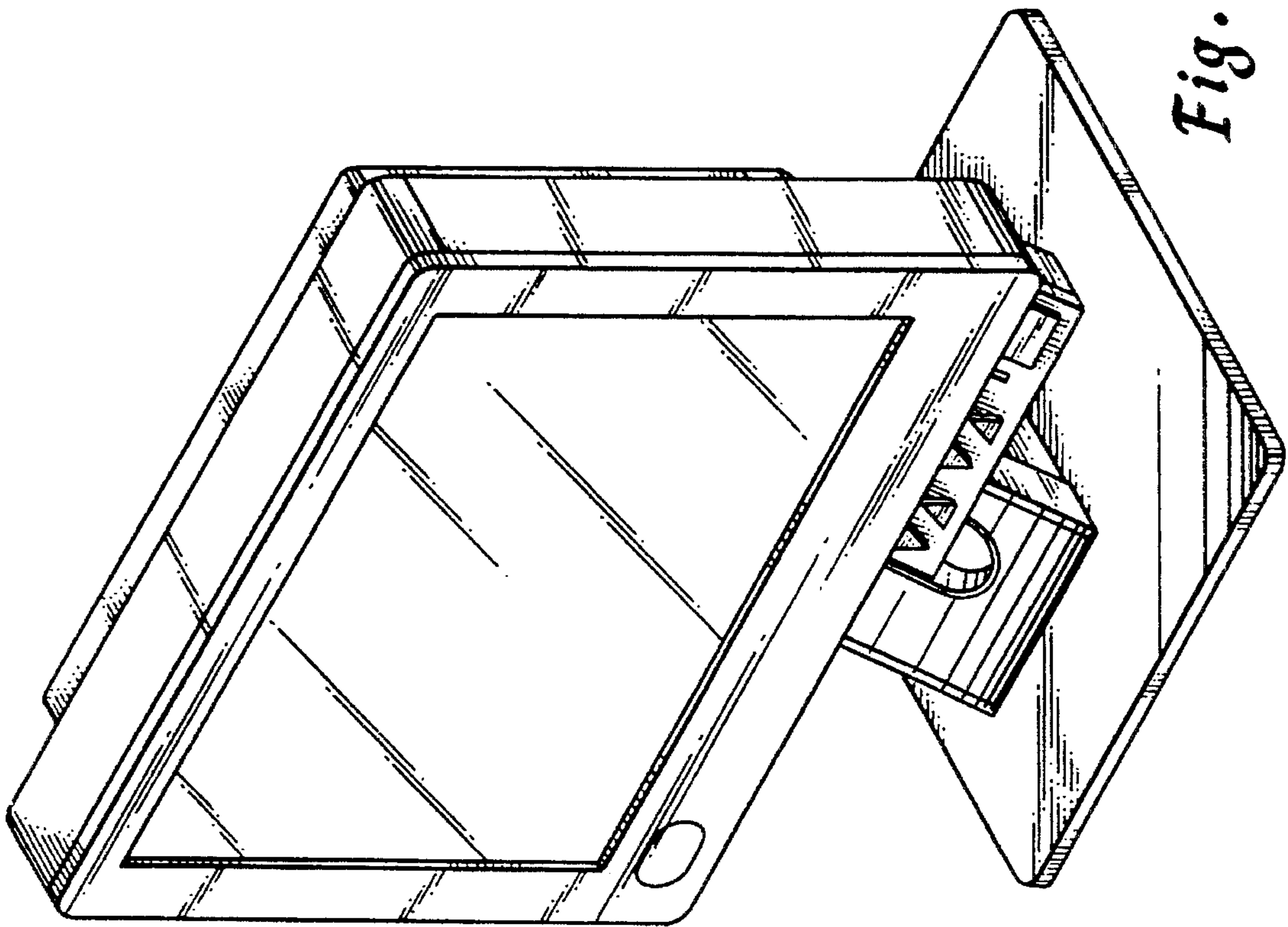
The ornamental design for a display for a computer, as shown and described.

### DESCRIPTION

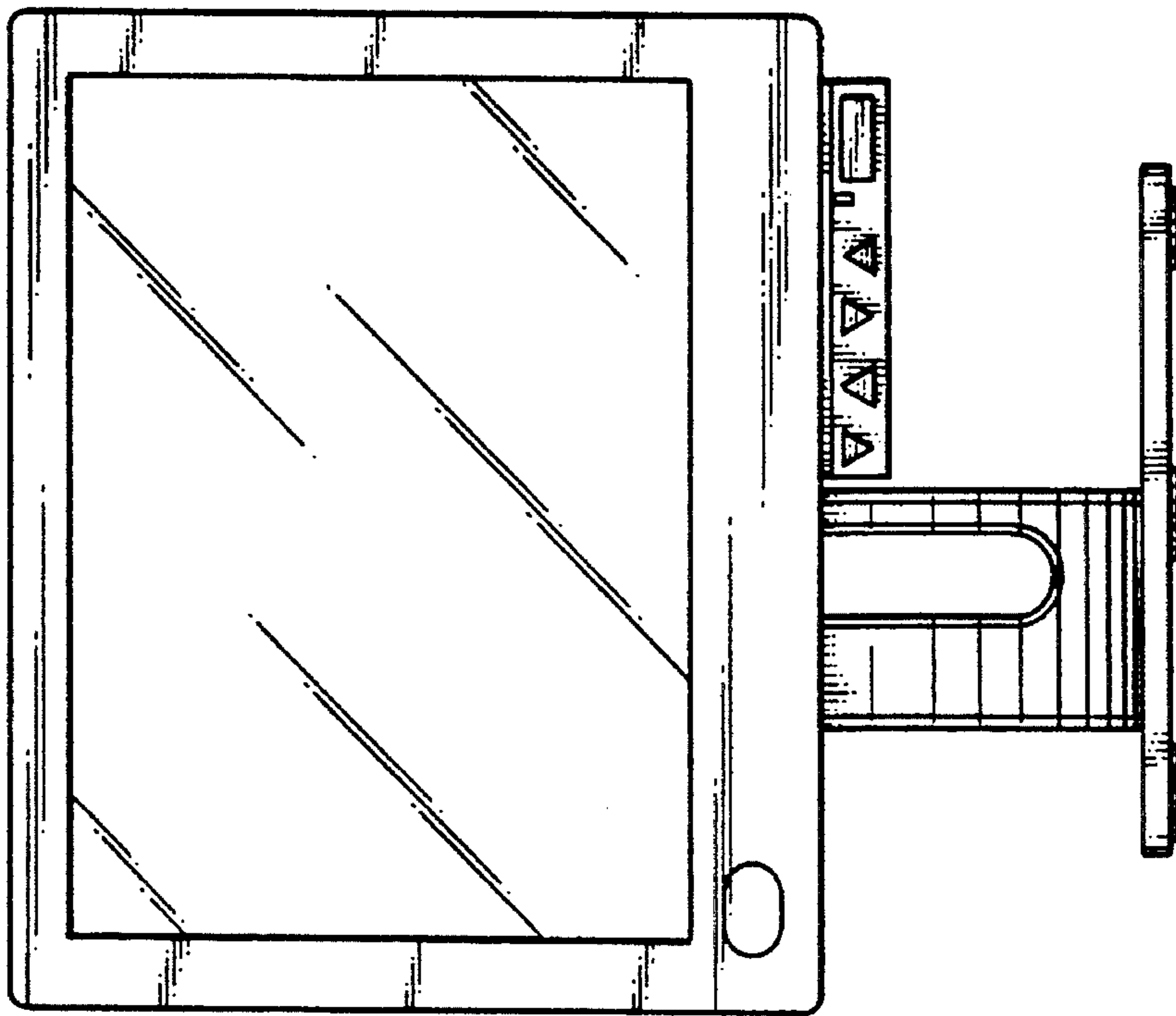
FIG. 1 is a front perspective view of the display for a computer, according to the present invention; FIG. 2 is a front elevational view thereof; FIG. 3 is a rear elevational view thereof; FIG. 4 is a top plan view thereof; FIG. 5 is a bottom plan view thereof; FIG. 6 is a left side elevational view thereof; and, FIG. 7 is a right side elevational view thereof.

**1 Claim, 3 Drawing Sheets**

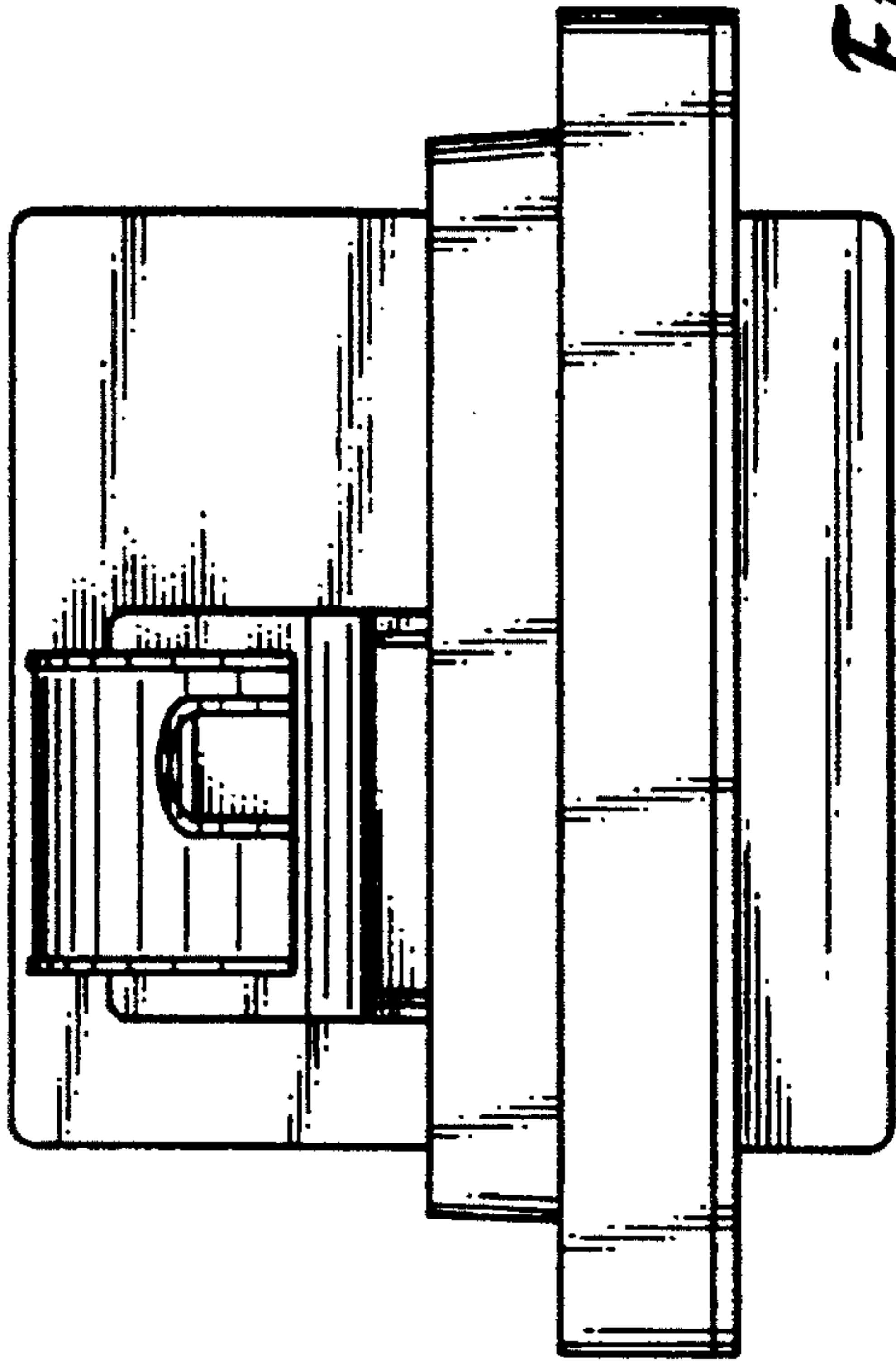




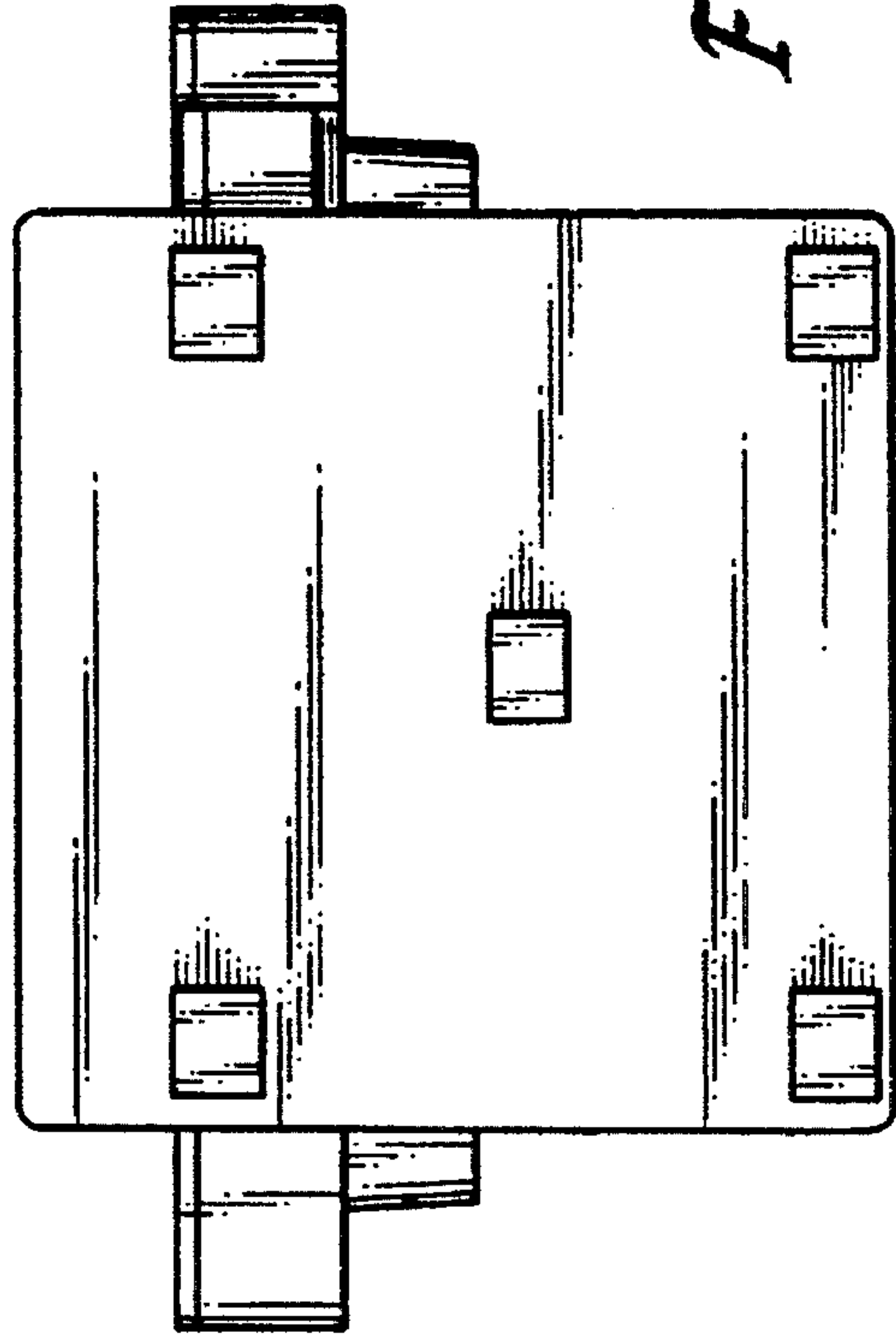
*Fig. 1*



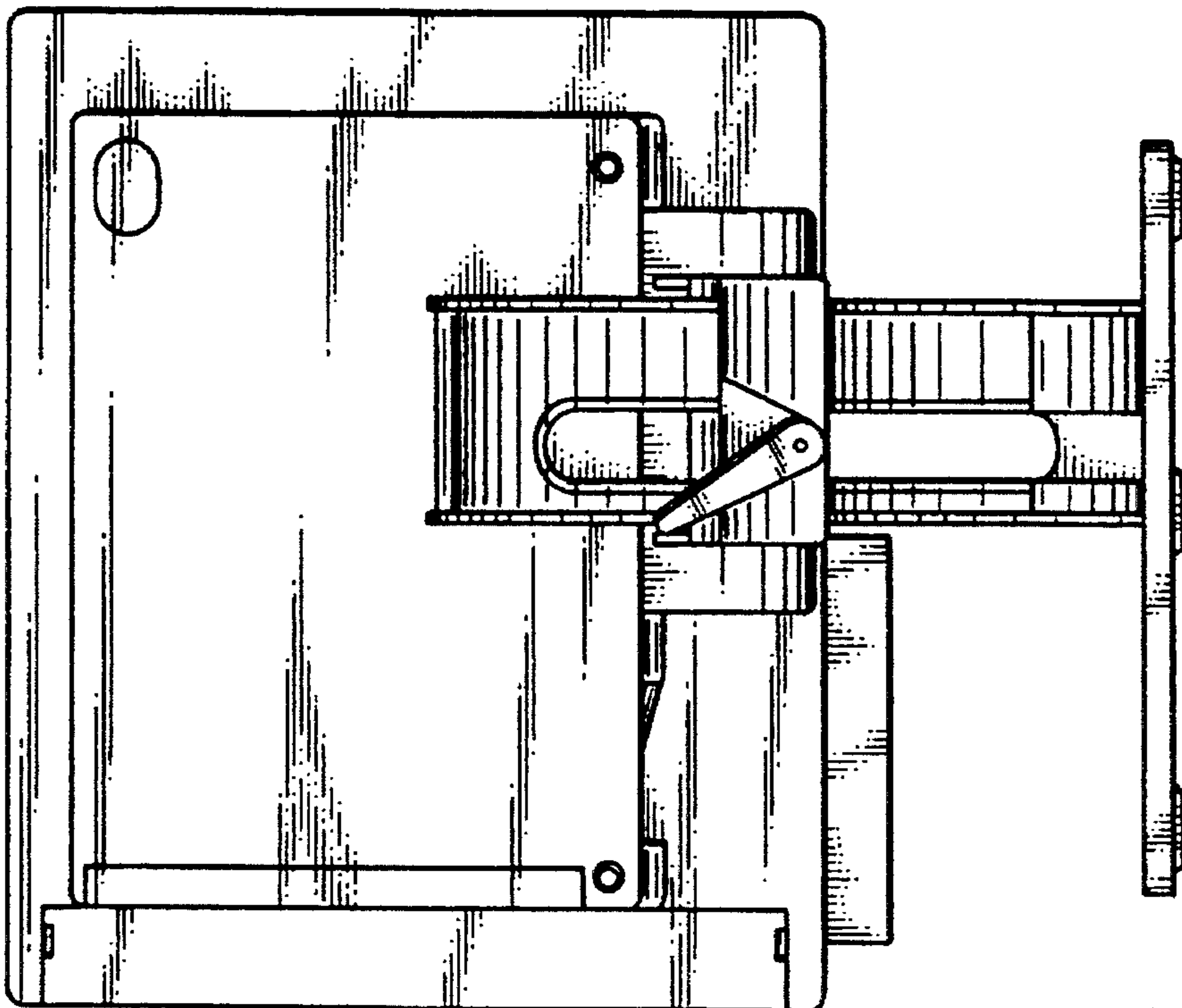
*Fig. 2*



*Fig. 4*

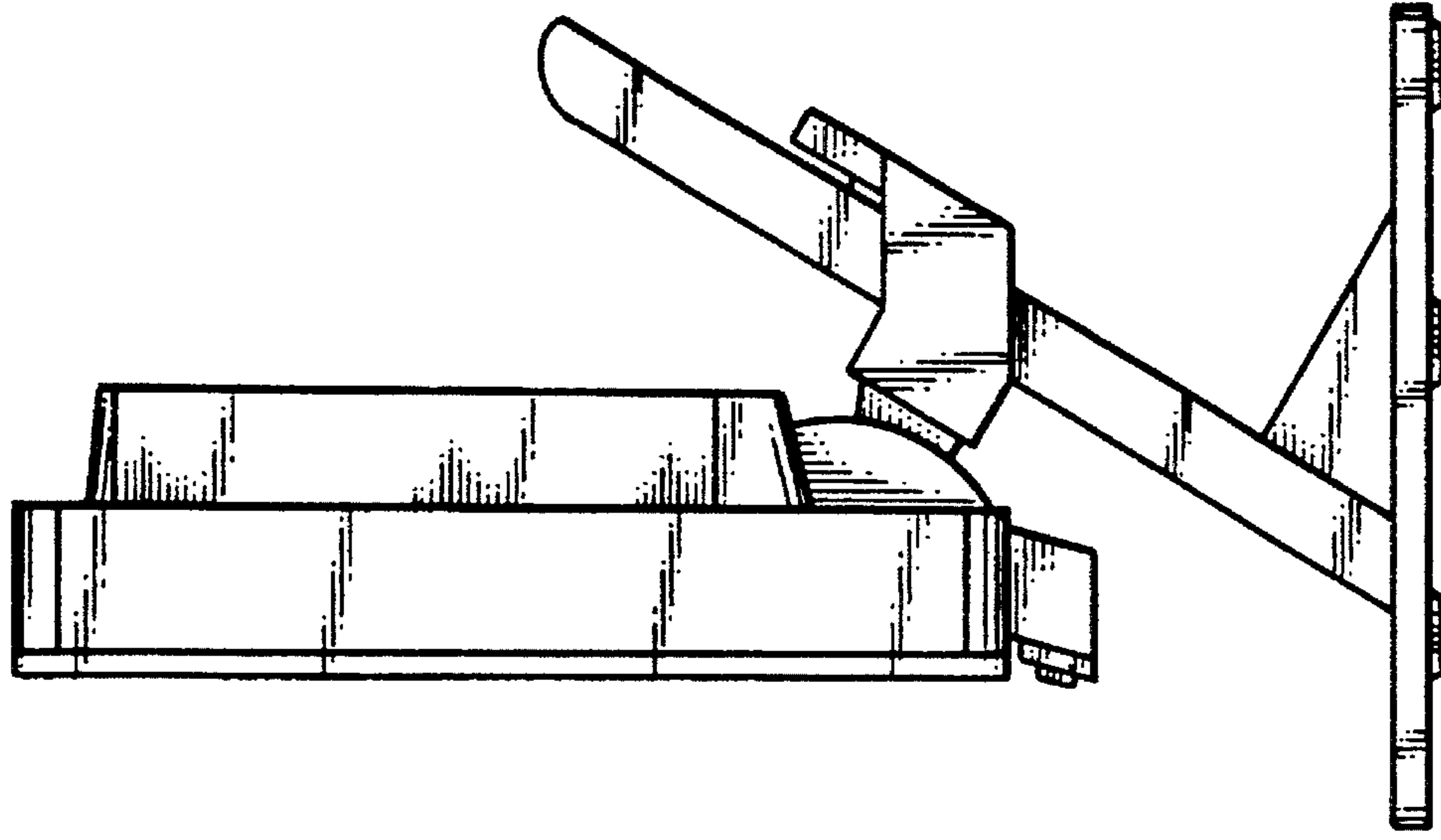


*Fig. 5*

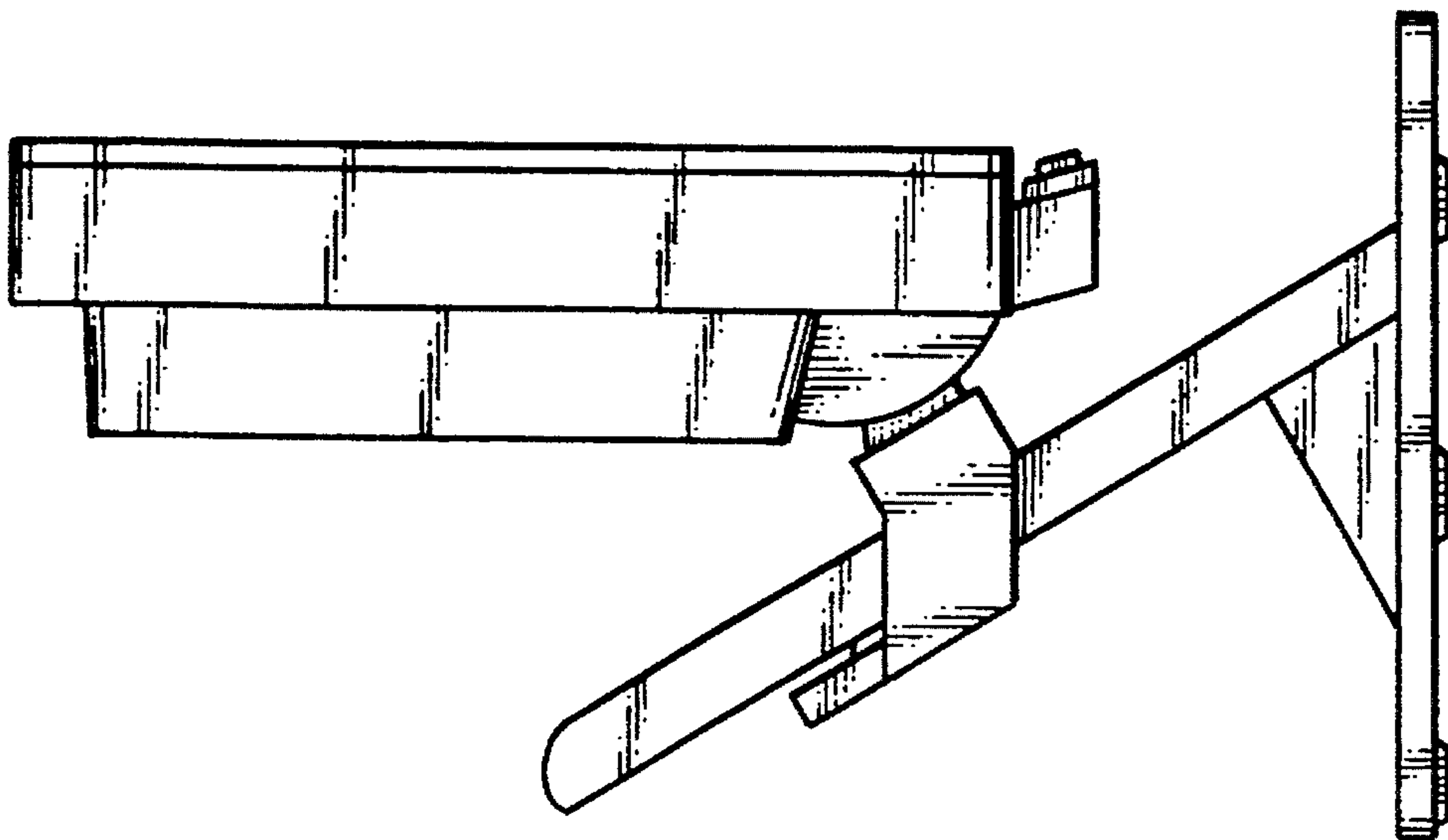


*Fig. 3*





*Fig. 7*



*Fig. 6*