



US00D363921S

United States Patent [19]

[11] Patent Number: **Des. 363,921**

Pedinielli et al.

[45] Date of Patent: ****Nov. 7, 1995**

[54] **CABINET FOR HOUSING COMPUTER EQUIPMENT**

D. 340,700	10/1993	Shukur et al.	D13/184
2,904,725	9/1959	Lebedinsky	361/829
3,657,608	4/1972	Leone et al.	361/829
4,497,411	2/1985	De Bortoli	361/829 X

[75] Inventors: **Gilbert Pedinielli, Nice; Daniel Richelet, Barnabe, both of France**

FOREIGN PATENT DOCUMENTS

[73] Assignee: **International Business Machines Corporation, Armonk, N.Y.**

514668	11/1992	European Pat. Off.	361/829
1141112	8/1957	France	174/52.1
2069767	8/1981	United Kingdom	174/52.1

[**] Term: **14 Years**

OTHER PUBLICATIONS

[21] Appl. No.: **2,563**

Cable housing retainer 26816 in Research Disclosure, Aug. 1986, No. 368.

[22] Filed: **Dec. 16, 1992**

Primary Examiner—Joel Sincavage
Attorney, Agent, or Firm—Joscelyn G. Cockburn

[30] Foreign Application Priority Data

Jun. 16, 1992 [FR] France 92 3734

[52] **U.S. Cl.** **D13/184**

[58] **Field of Search** D13/184; D14/102, D14/240, 100; 361/724, 729, 730, 679, 683, 687, 725, 825, 826, 829; 174/52.1, 48; D6/449; 312/223.1, 223.2

[57] CLAIM

The ornamental design for a cabinet for housing computer equipment, as shown and described.

DESCRIPTION

FIG. 1 is a front elevation of a cabinet for housing computer equipment showing our new design, the rear elevation view being a mirror image;
FIG. 2 is a right side elevation view thereof, the left side elevation view thereof being a mirror image;
FIG. 3 is a front and upper right perspective view thereof; and,
FIG. 4 is an exploded front and upper right perspective view thereof.

[56] References Cited

U.S. PATENT DOCUMENTS

D. 196,115	8/1963	Berry, Jr.	D13/184
D. 203,542	1/1966	Dalton et al.	D13/184
D. 205,067	6/1966	Cottier et al.	D13/184
D. 285,680	9/1986	Cederberg	D13/184 X
D. 293,317	12/1987	Umezu et al.	D14/102 X
D. 297,930	10/1988	Bohm	D13/184
D. 313,226	12/1990	Kimura et al.	D14/240 X
D. 314,770	2/1991	Desbarats	D14/240

1 Claim, 4 Drawing Sheets

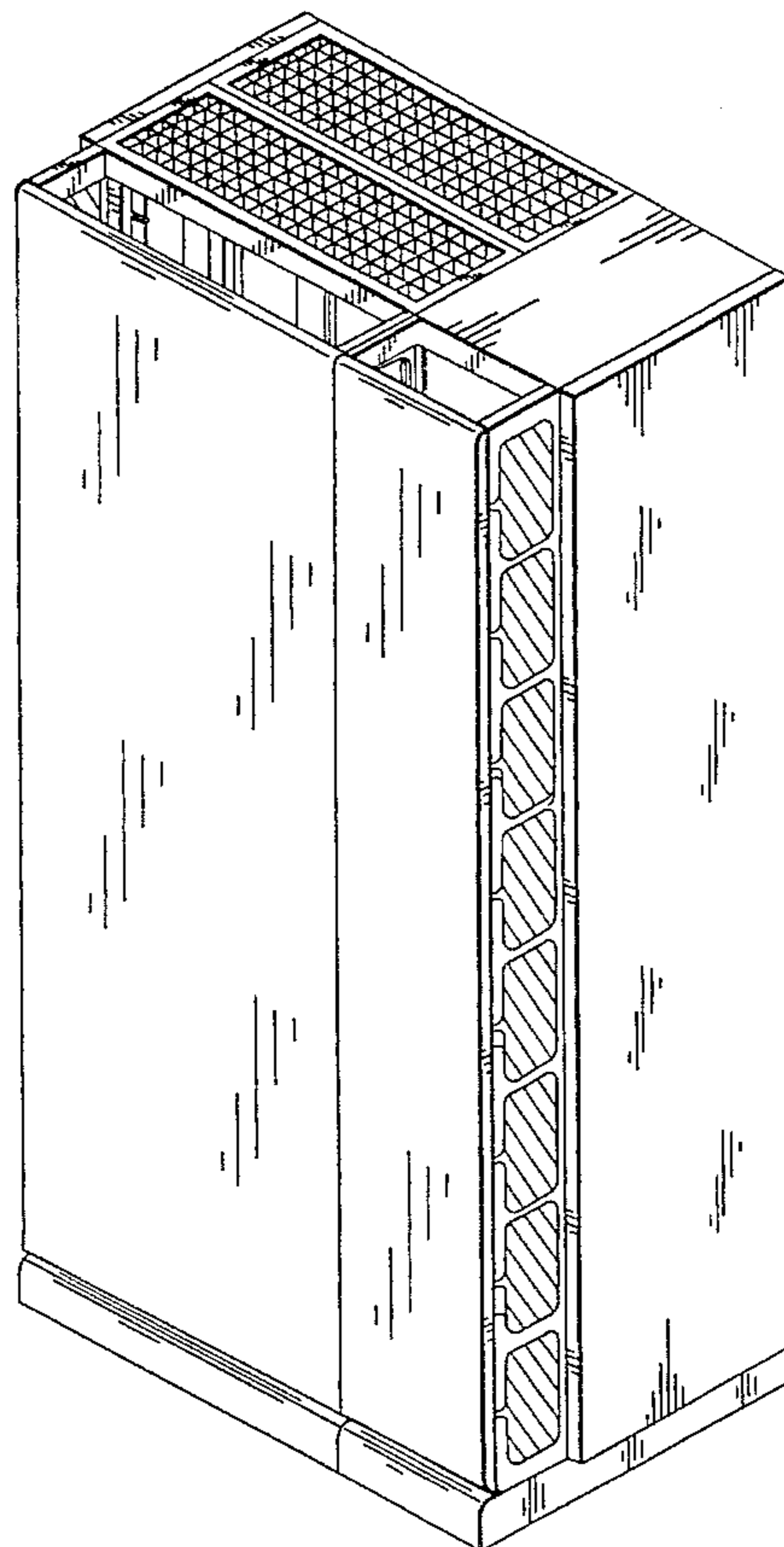


FIG. 1

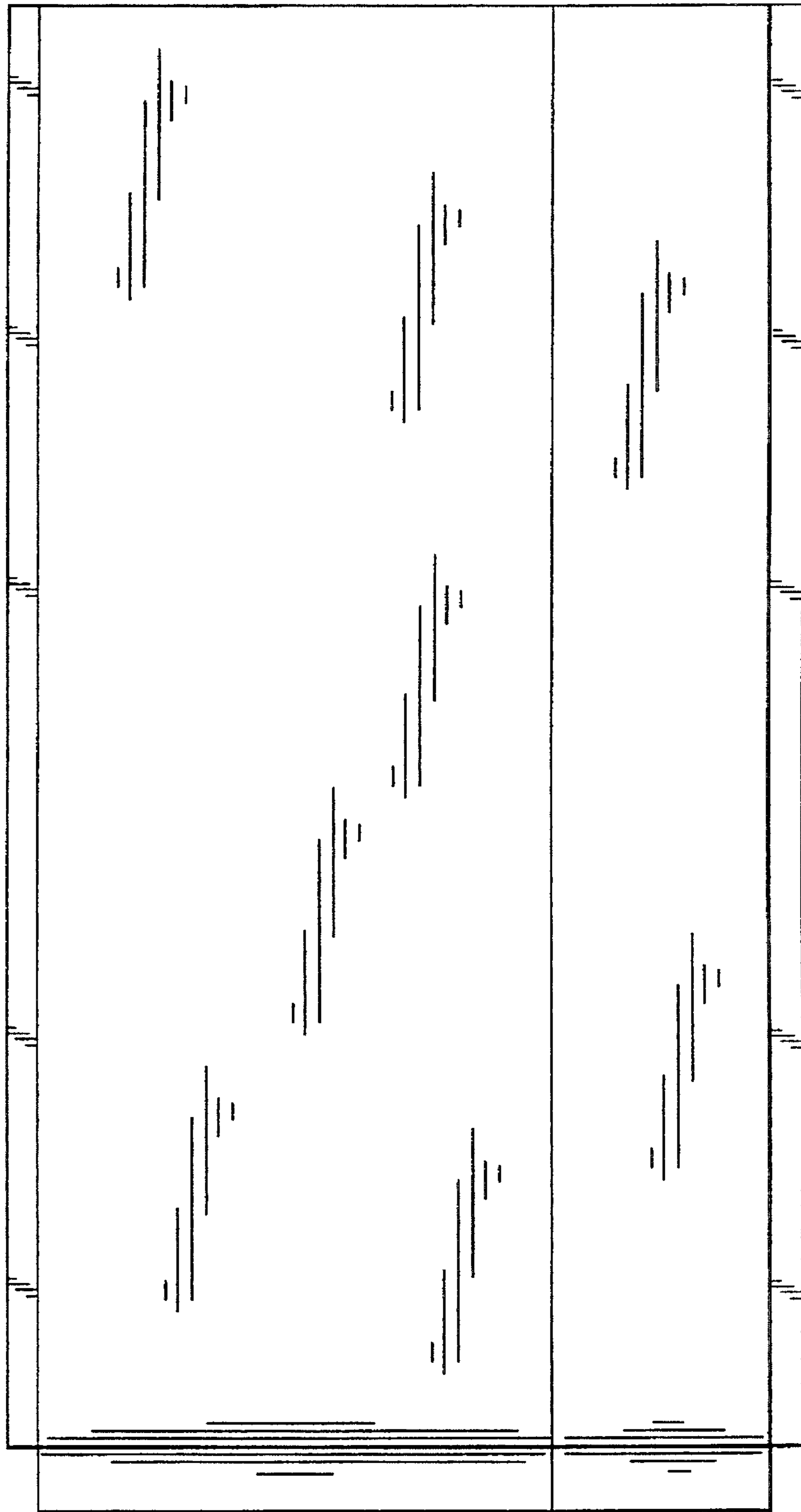


FIG. 2

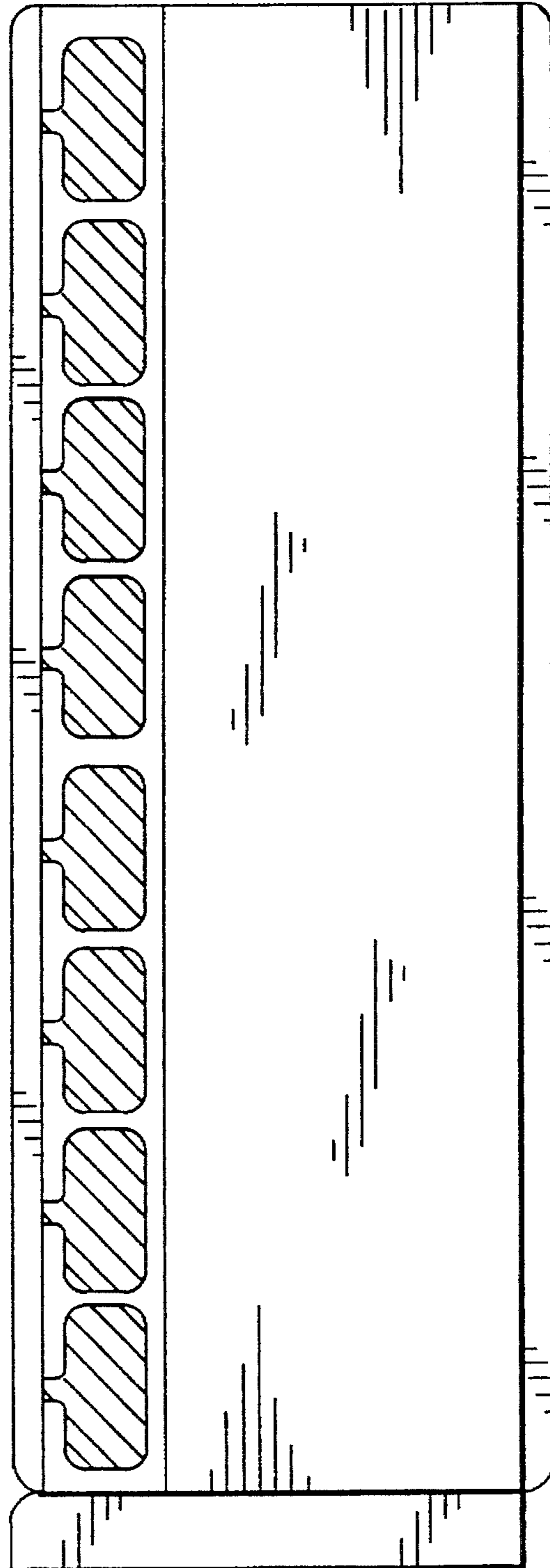


FIG. 3

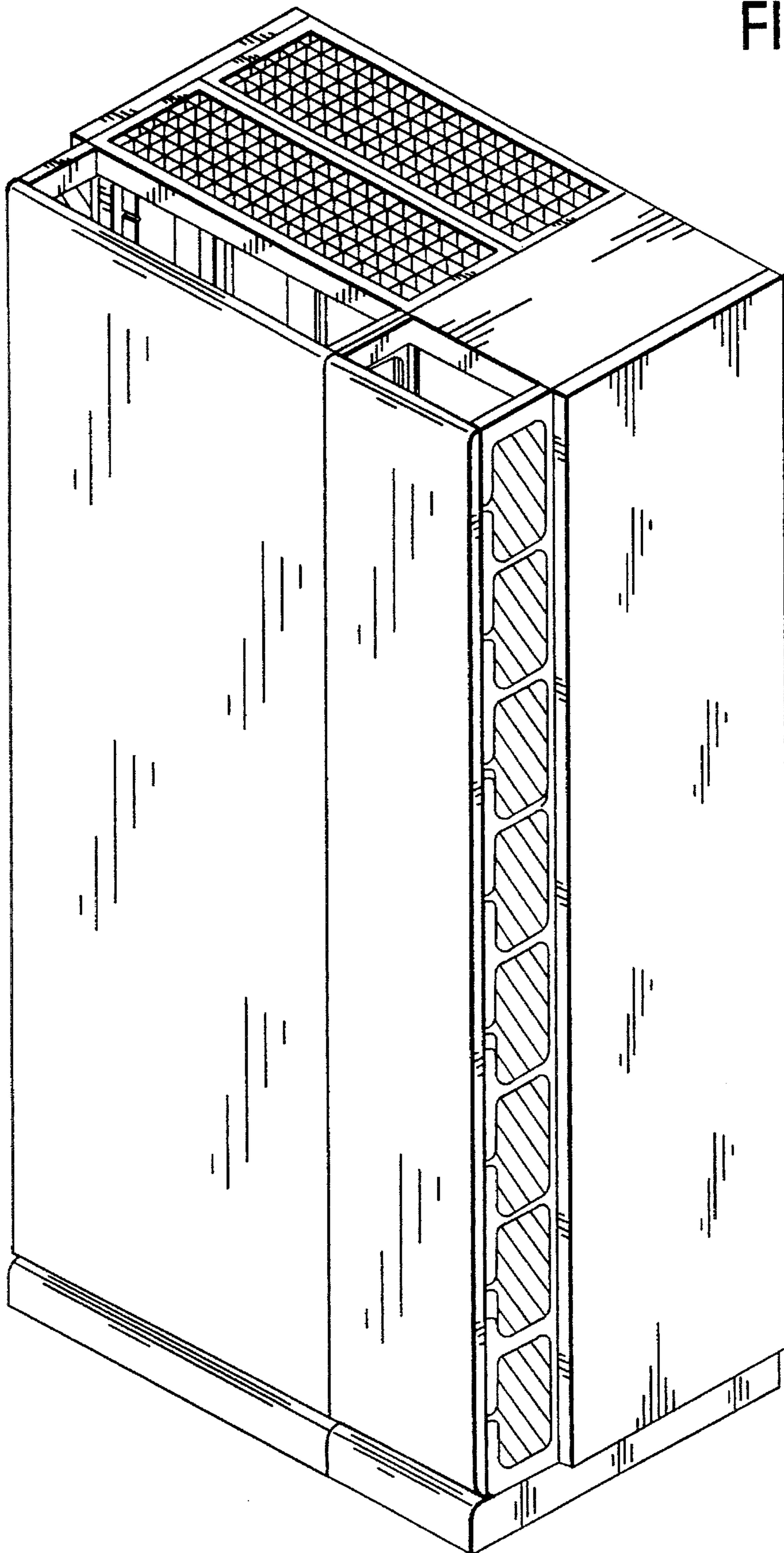


FIG. 4

