



US00D363920S

# United States Patent [19]

[11] Patent Number: **Des. 363,920**

Roberts et al.

[45] Date of Patent: **\*\*Nov. 7, 1995**

[54] **ELECTRICAL CIRCUIT BOARD**

[75] Inventors: **John K. Roberts; Keith R. Spencer,**  
both of Sheboygan, Wis.

[73] Assignee: **K. W. Muth Company, Inc.,**  
Sheboygan, Wis.

[\*\*] Term: **14 Years**

[21] Appl. No.: **2,113**

[22] Filed: **Dec. 2, 1992**

[52] U.S. Cl. .... **D13/182**

[58] Field of Search ..... **D13/182; 174/260;**  
**361/380, 384, 392, 395, 397, 399; 365/52;**  
**357/72, 74, 80; 211/41**

[56] **References Cited**

**U.S. PATENT DOCUMENTS**

4,599,680	7/1986	Gibson et al. ....	365/52 X
4,869,680	9/1989	Yamamoto et al. ....	211/41 X
4,914,552	4/1990	Kecmer .....	211/41 X
4,916,575	4/1990	Van Asten .....	361/395 X

**OTHER PUBLICATIONS**

Switch regulator on p. 113 of EDN Jun. 21, 1990.  
Circuit board on p. 63 of EDN Jan. 1991.  
Circuit board on p. 136 of EDN Feb. 18, 1991.

*Primary Examiner*—Joel Sincavage  
*Attorney, Agent, or Firm*—Wells, St. John, Roberts, Gregory  
& Matkin

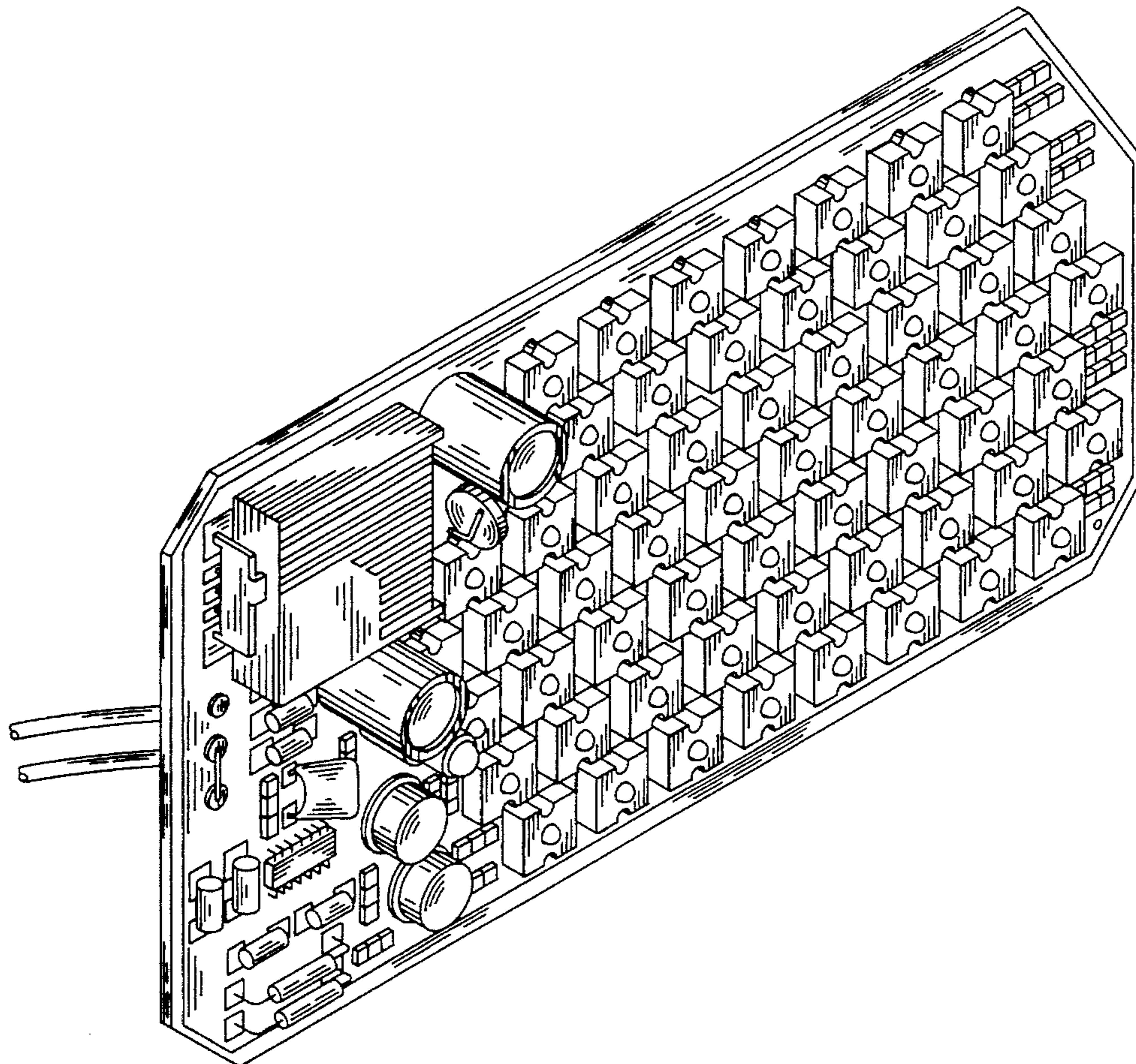
[57] **CLAIM**

The ornamental design for an electrical circuit board, as shown and described.

**DESCRIPTION**

FIG. 1 is a perspective view of the electrical circuit board showing my new design;  
FIG. 2 is a top plan view of the electrical circuit board showing my new design;  
FIG. 3 is a bottom plan view of the electrical circuit board showing my new design;  
FIG. 4 is an end view of the electrical circuit board showing my new design;  
FIG. 5 is an end view of the electrical circuit board opposite to that shown in FIG. 4, and showing my new design;  
FIG. 6 is a side elevation view of the electrical circuit board showing my new design;  
FIG. 7 is a side elevation view of the electrical circuit board opposite to that shown in FIG. 6, and showing my new design; and,  
FIG. 8 is a bottom perspective view of the electrical circuit board showing my new design.  
The broken line in FIGS. 3 and 8 is used for manufacturing purposes only and forms no part of the claimed design.

**1 Claim, 4 Drawing Sheets**



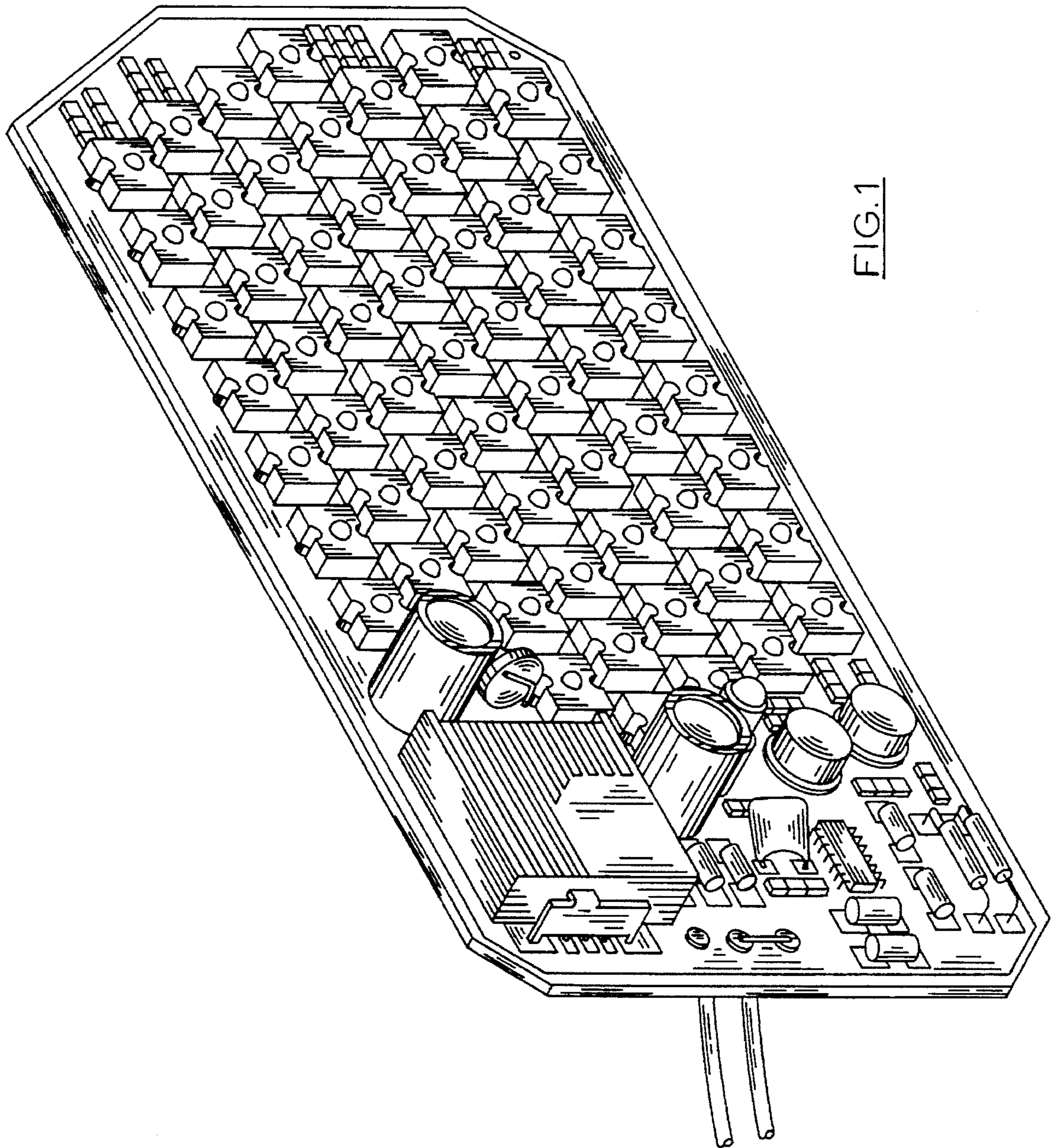


FIG. 1

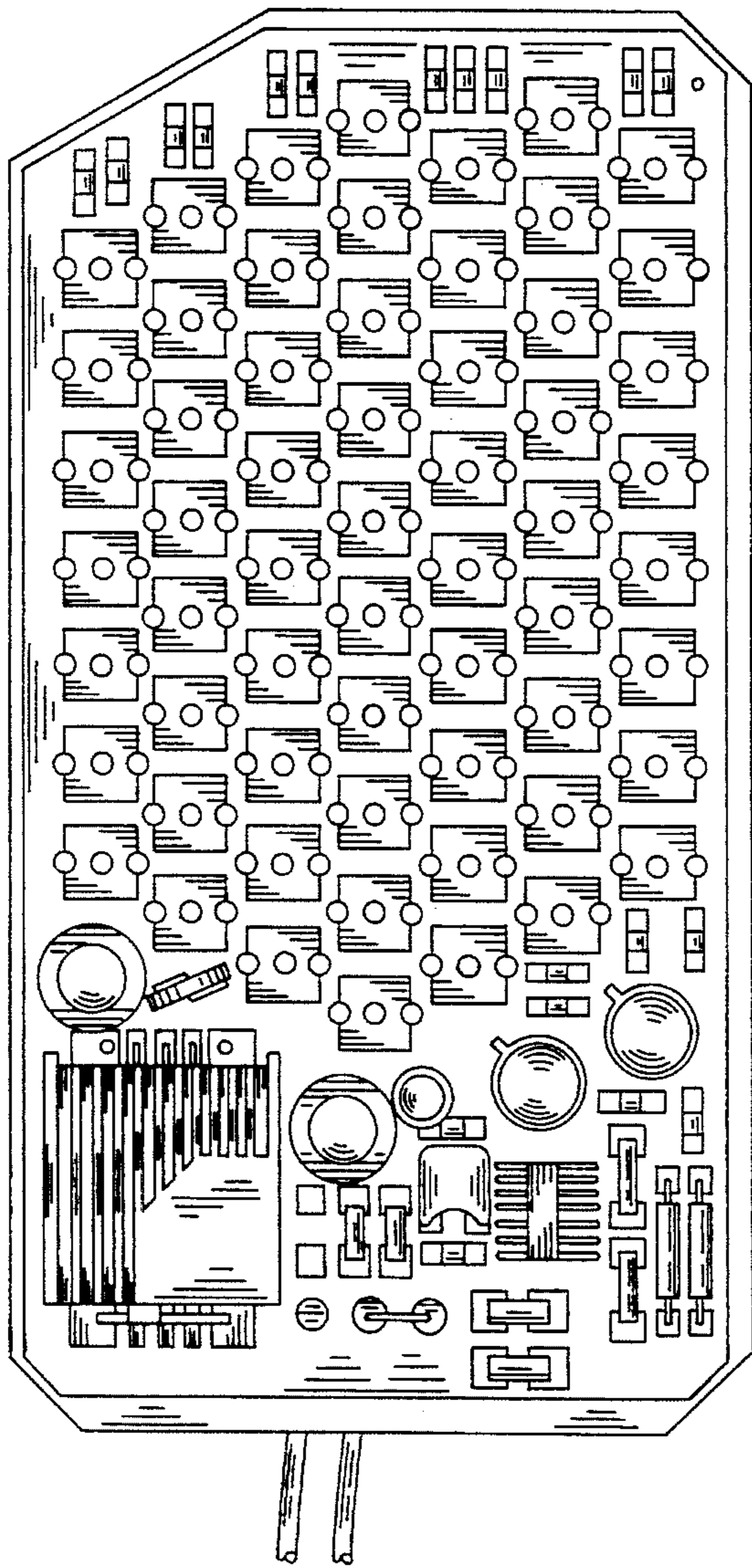


FIG. 2

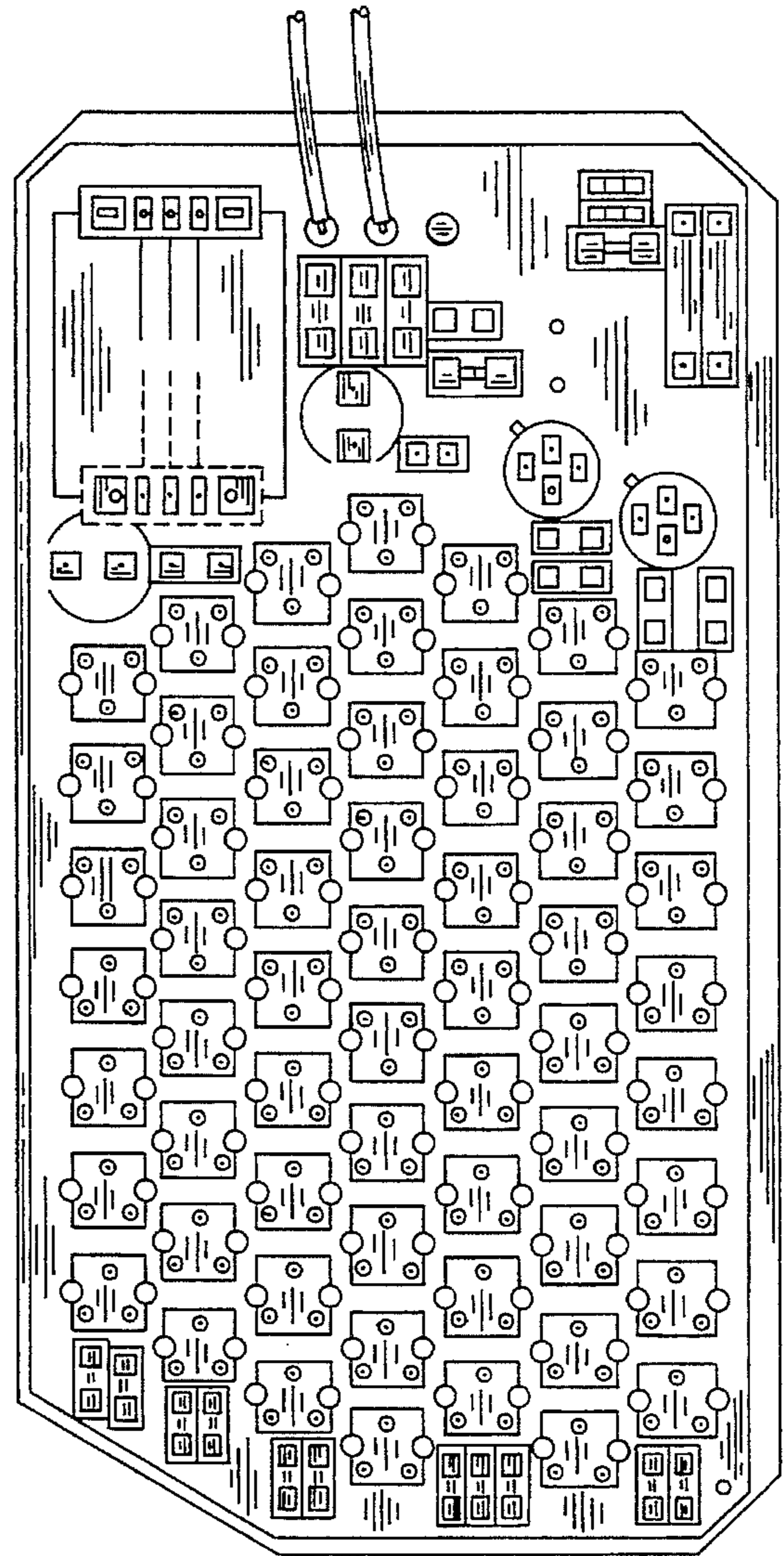


FIG. 3

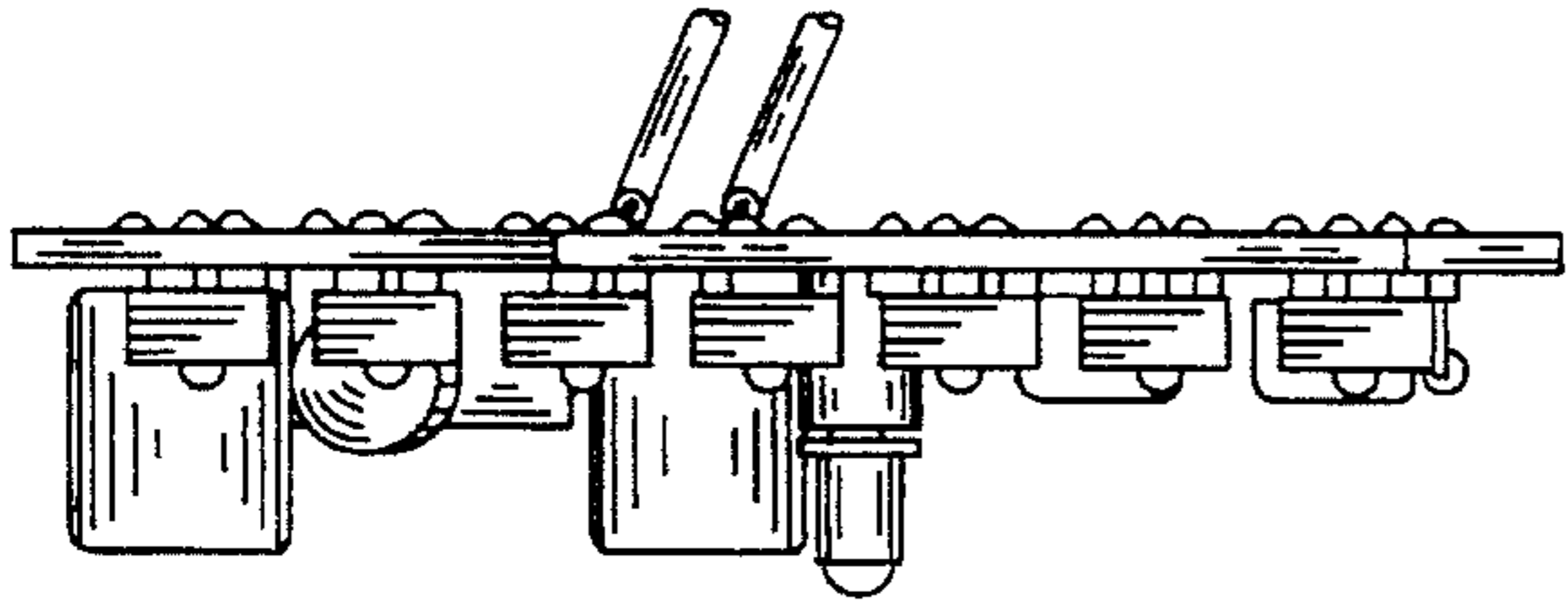


FIG. 5

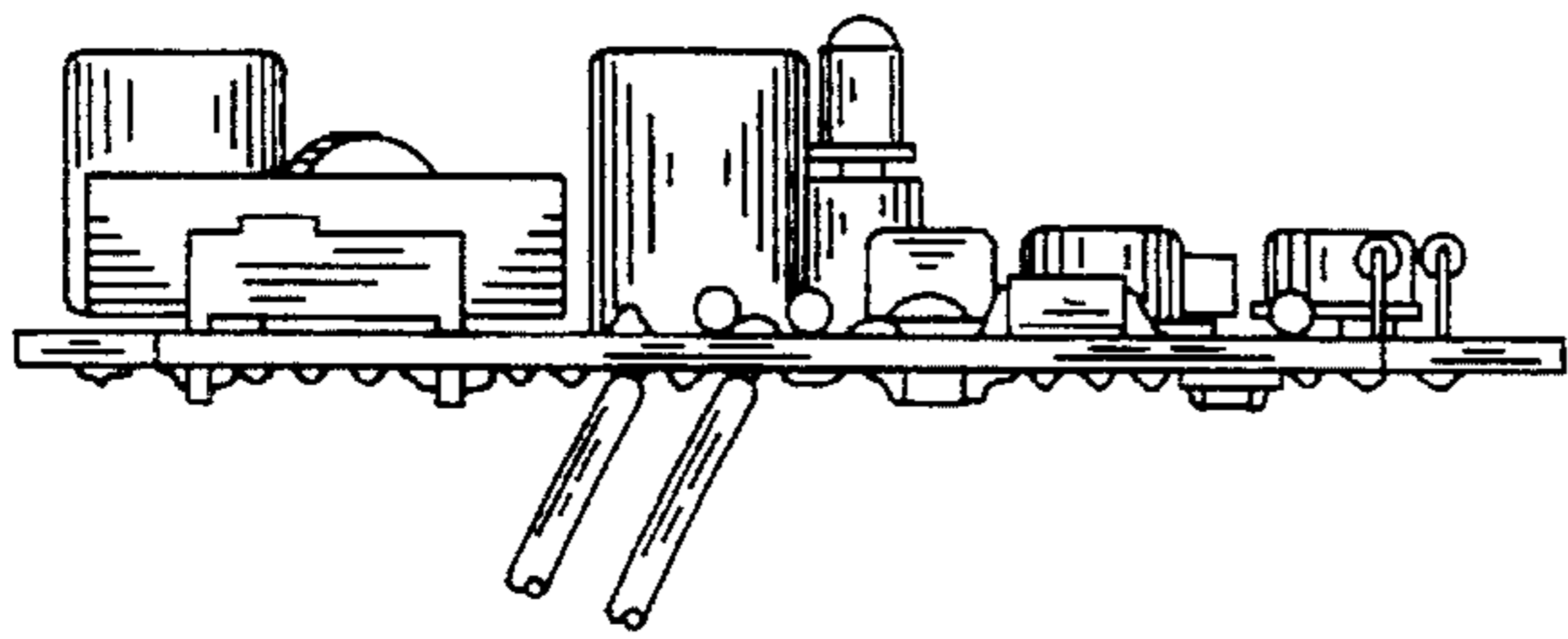


FIG. 4

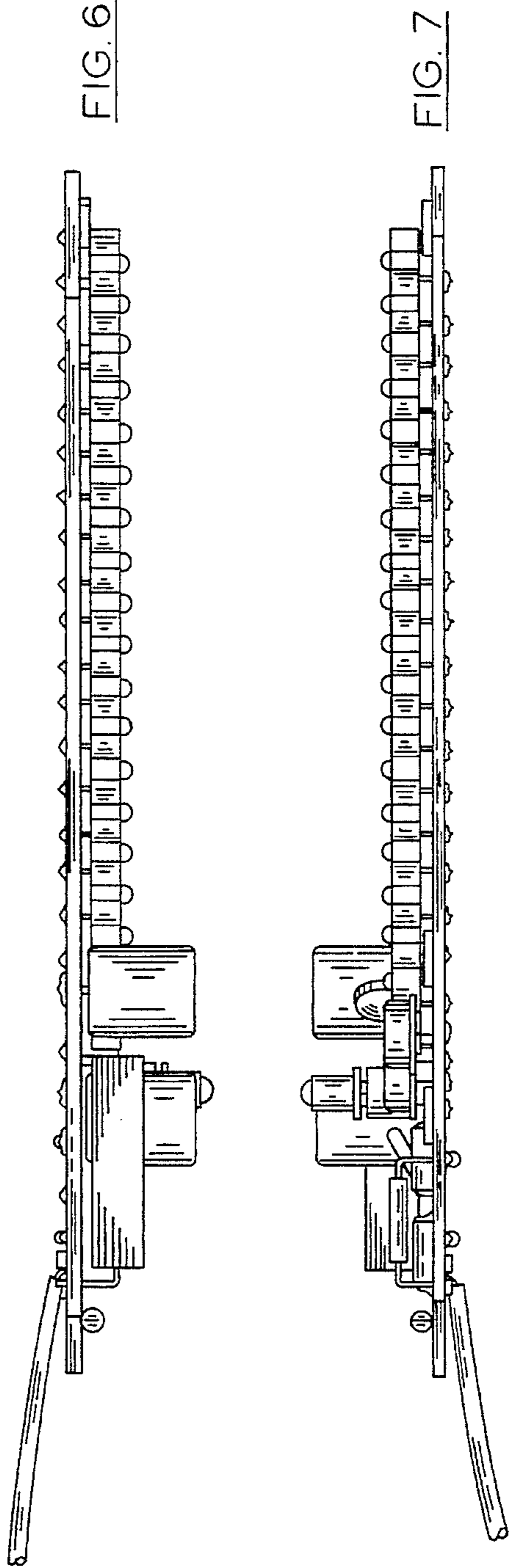


FIG. 6

FIG. 7

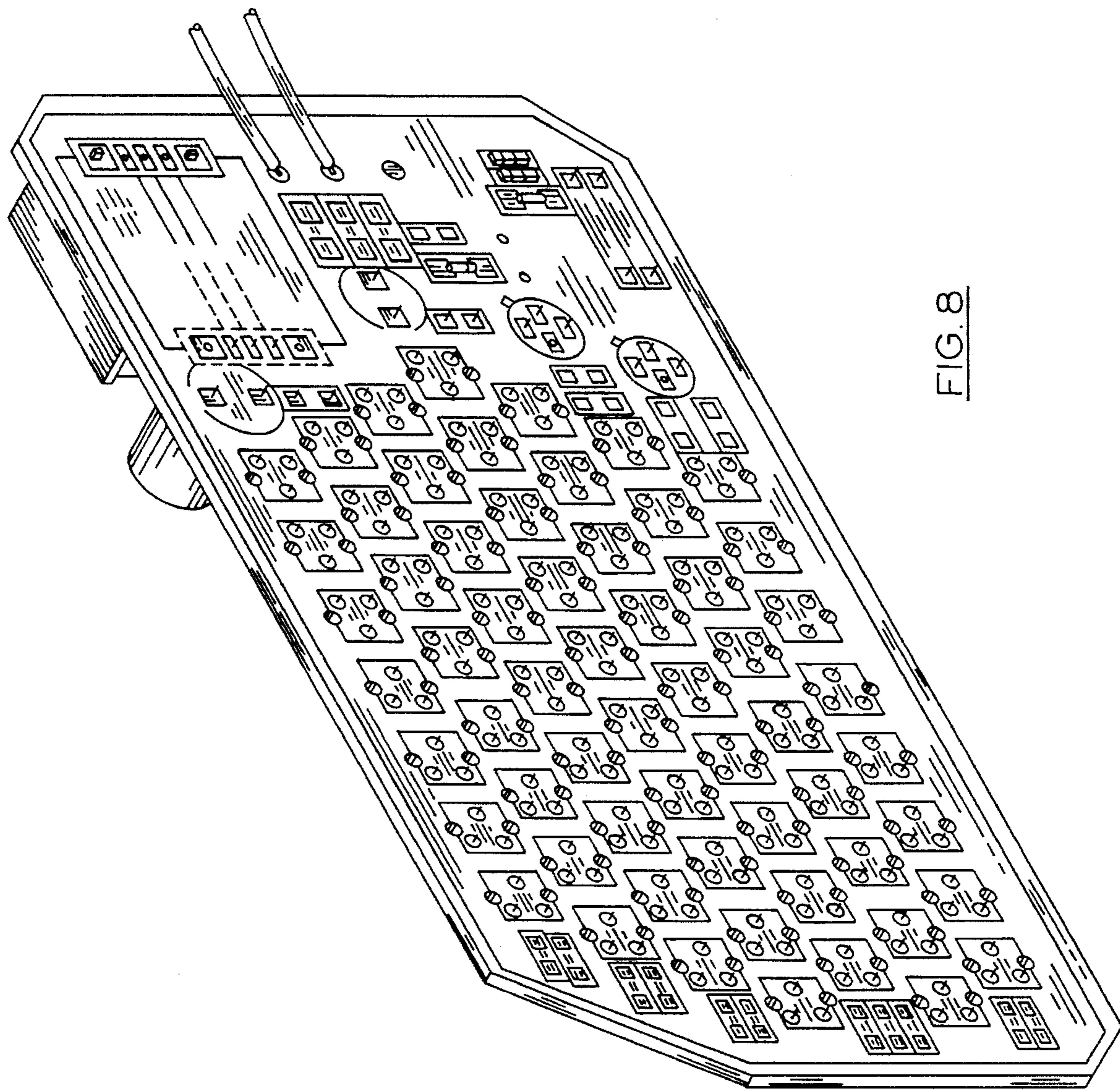


FIG. 8